



US00D491086S

(12) **United States Design Patent**
LaBarbera et al.

(10) **Patent No.:** **US D491,086 S**

(45) **Date of Patent:** **** Jun. 8, 2004**

(54) **COLOR CALIBRATOR**

D421,401 S * 3/2000 Schwarz et al. D10/81

(75) Inventors: **Angelo Michael LaBarbera**, Eagle, ID (US); **Anthony Sanchez**, Eagle, ID (US)

* cited by examiner

Primary Examiner—Antoine D. Davis

(73) Assignee: **Hewlett-Packard Development Company, L.P.**, Houston, TX (US)

(57) **CLAIM**

The ornamental design for a color calibrator, as shown and described.

(**) Term: **14 Years**

DESCRIPTION

(21) Appl. No.: **29/181,912**

FIG. 1 is a left-front perspective view of a color calibrator showing the new design;

(22) Filed: **May 16, 2003**

FIG. 2 is a front view thereof

(51) **LOC (7) Cl.** **10-04**

FIG. 3 is a rear view thereof;

(52) **U.S. Cl.** **D10/81**

FIG. 4 is a top view thereof; and,

(58) **Field of Search** D10/78, 81; 356/402-423, 356/435, 433, 434, 462.5; 385/146

FIG. 5 is a right side view thereof.

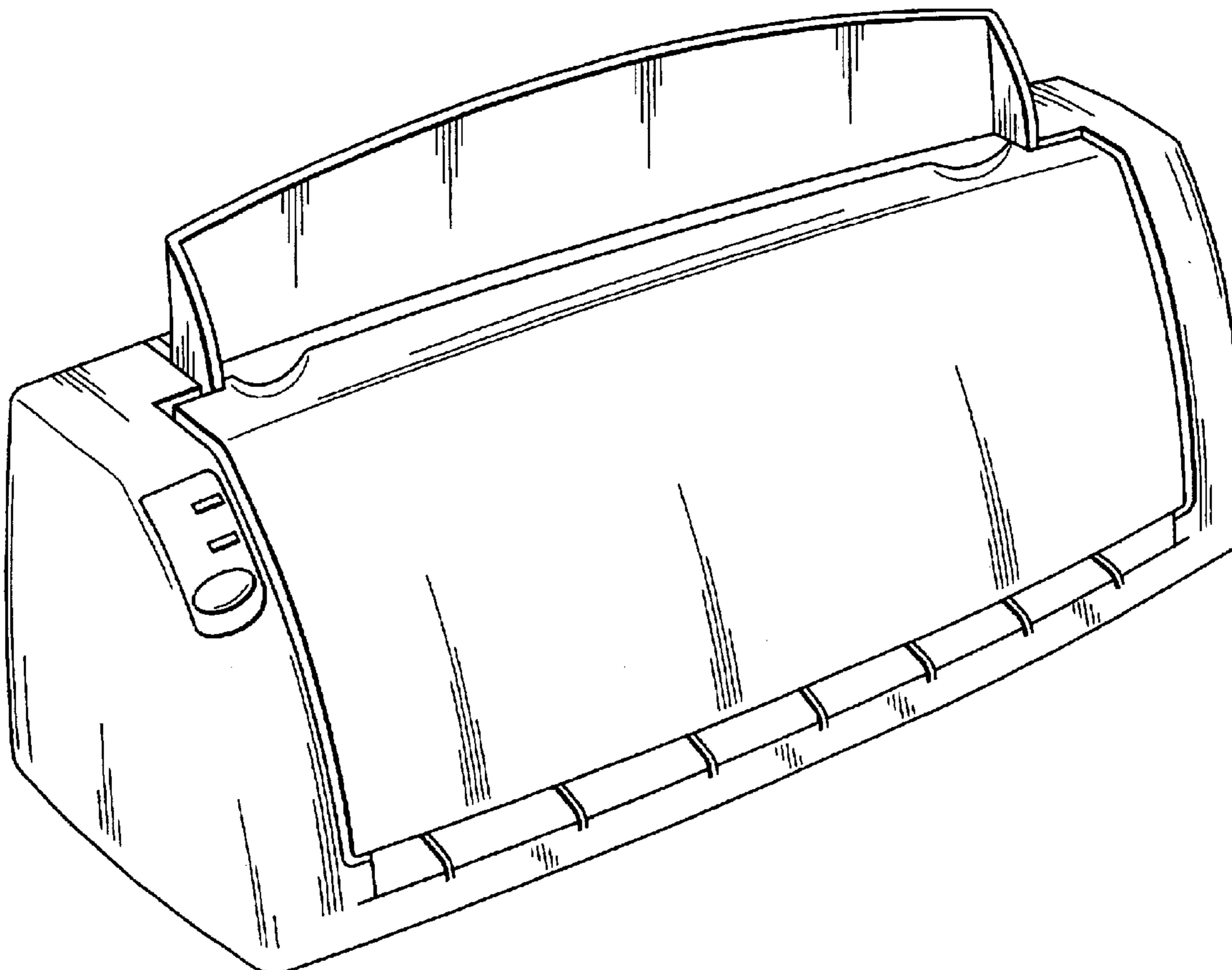
(56) **References Cited**

The left side is not shown but is a mirror image of the right side shown in FIG. 5.

U.S. PATENT DOCUMENTS

D403,259 S * 12/1998 Tsubota et al. D10/81

1 Claim, 5 Drawing Sheets



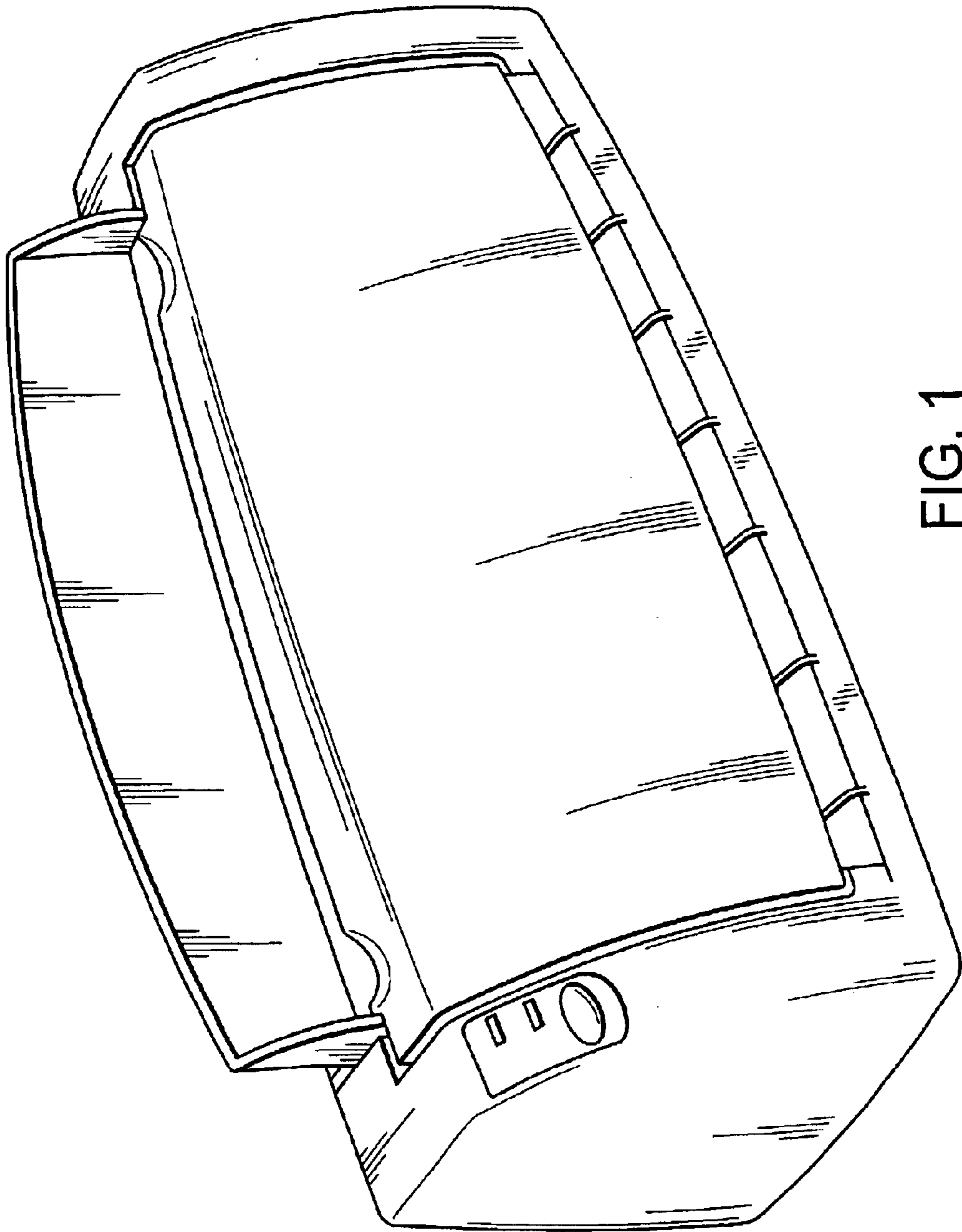


FIG. 1

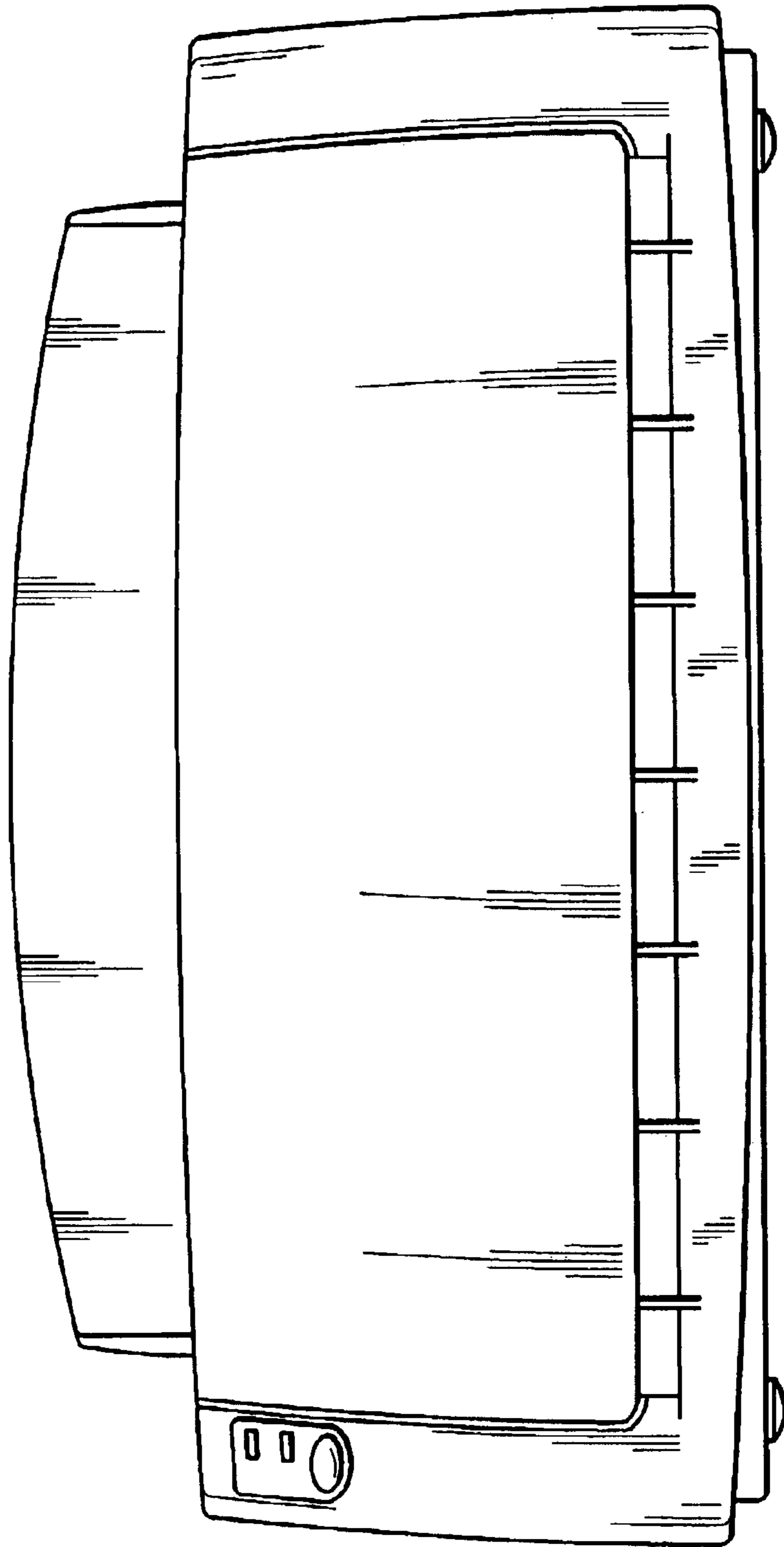


FIG. 2

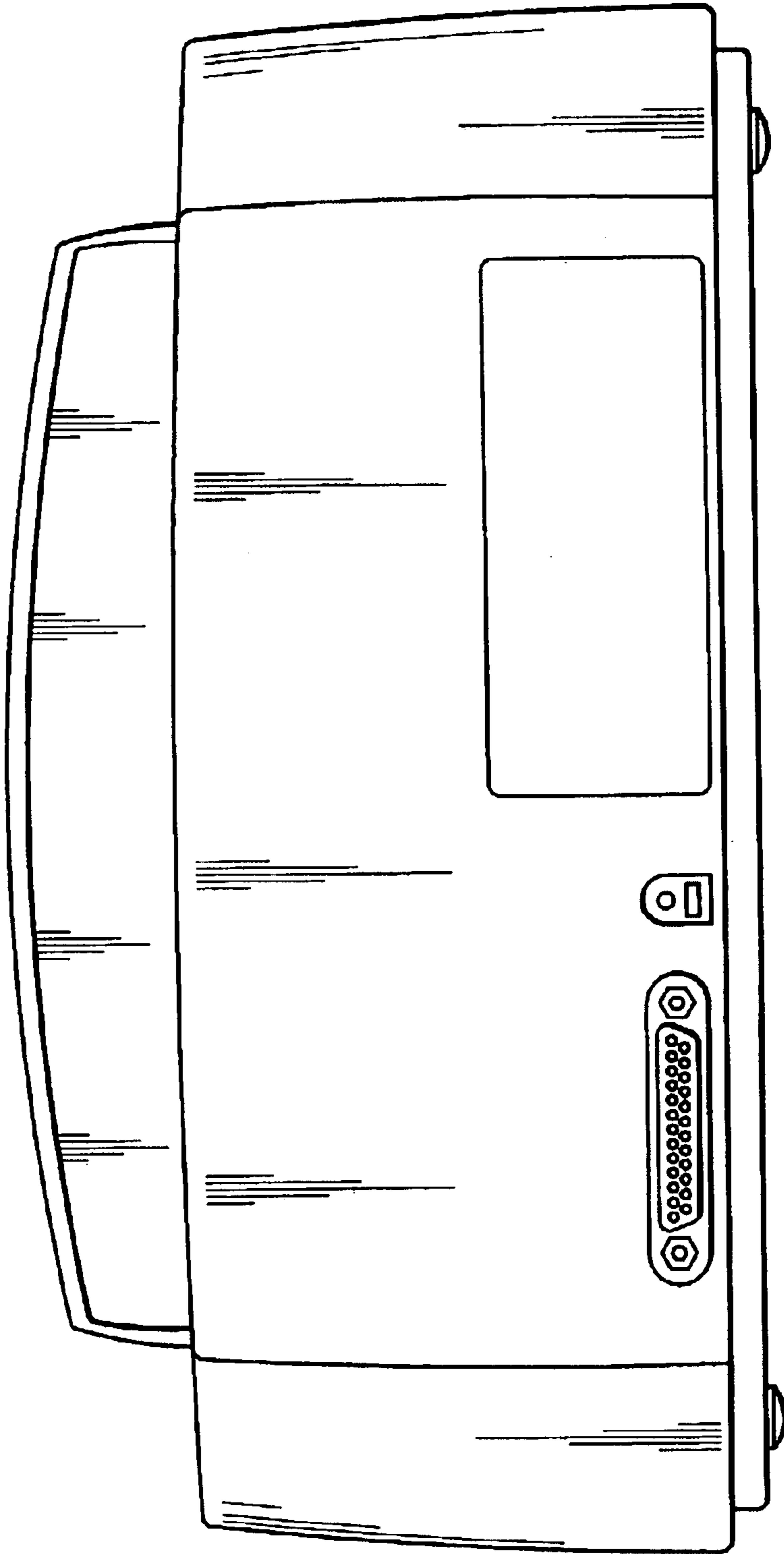


FIG. 3

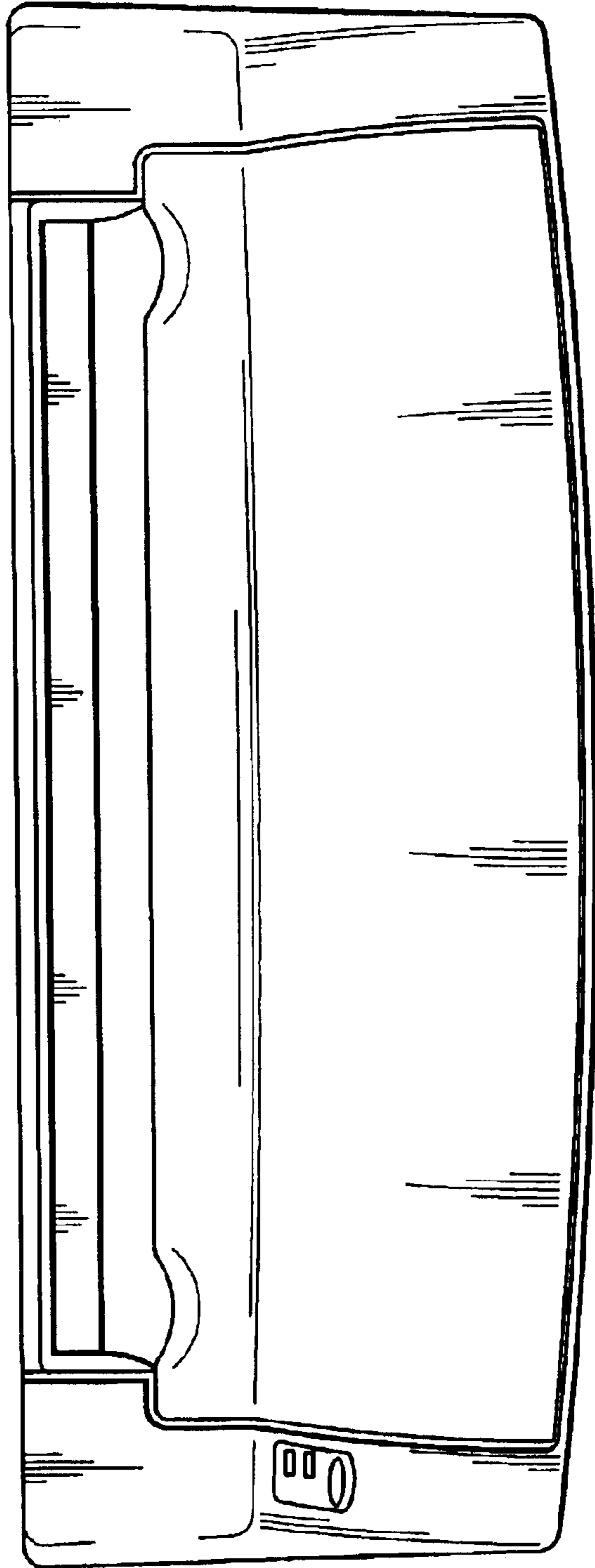


FIG. 4

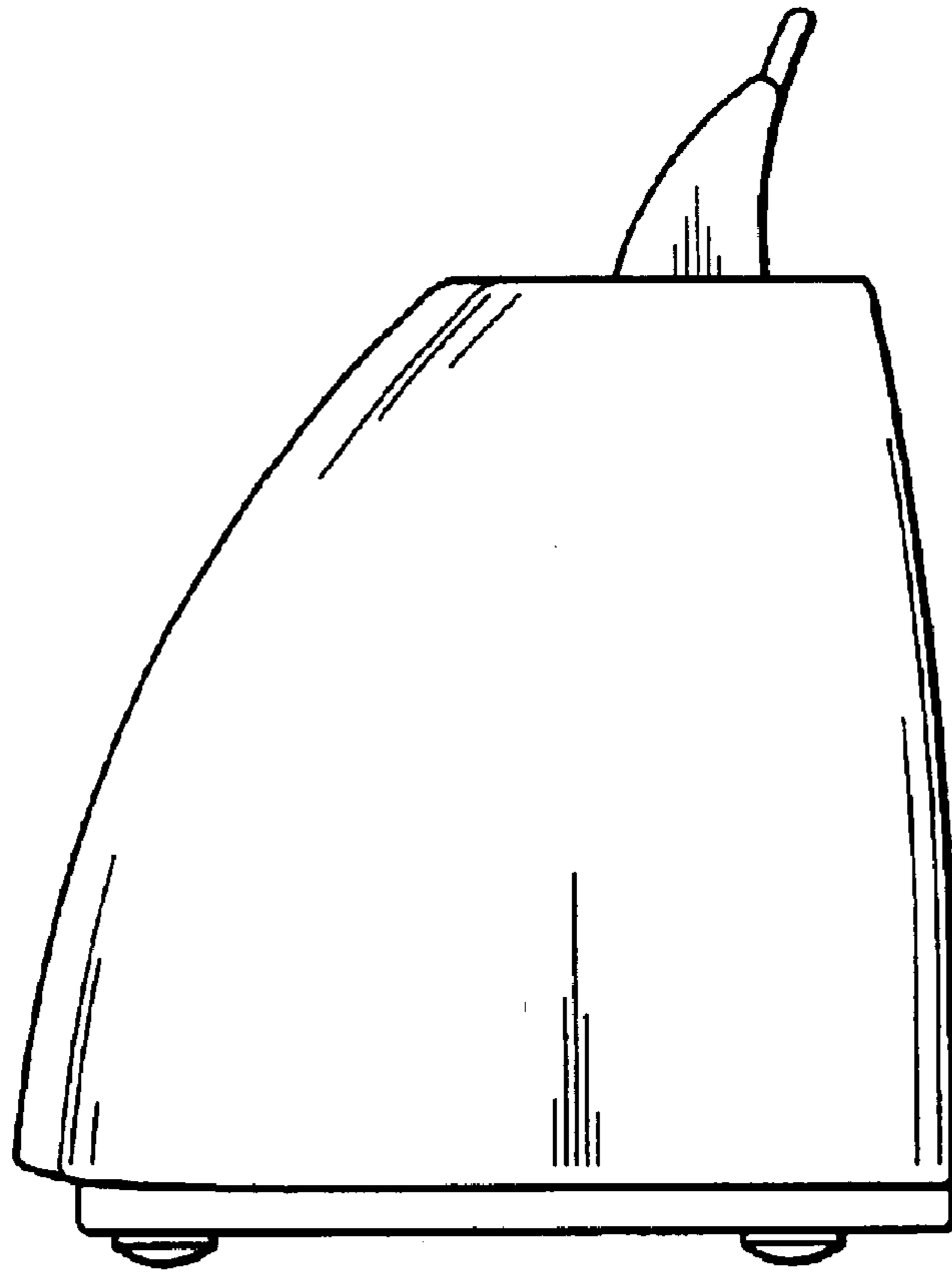


FIG. 5