



US00D491083S

(12) **United States Design Patent**
Lin

(10) **Patent No.:** **US D491,083 S**

(45) **Date of Patent:** **** Jun. 8, 2004**

(54) **MEASURING TAPE**

(75) **Inventor:** **Ping-Lin Lin, Sanchung (TW)**

(73) **Assignee:** **Top-Long Industrial Co., Ltd., Taipei (TW)**

(**) **Term:** **14 Years**

(21) **Appl. No.:** **29/181,407**

(22) **Filed:** **May 12, 2003**

(51) **LOC (7) Cl. 10-04**

(52) **U.S. Cl. D10/72**

(58) **Field of Search D10/72; 33/755-771**

(56) **References Cited**

U.S. PATENT DOCUMENTS

4,527,334 A	*	7/1985	Jones et al.	33/761
D311,874 S	*	11/1990	Ingram et al.	D10/72
5,010,657 A	*	4/1991	Knapp	33/770
D421,231 S	*	2/2000	Hsu	D10/72

D438,806 S	*	3/2001	Douglas et al.	D10/72
D461,136 S	*	8/2002	Lin	D10/72
D464,579 S	*	10/2002	Martone	D10/72
D471,827 S	*	3/2003	Ranieri et al.	D10/72

* cited by examiner

Primary Examiner—Lucy Lieberman

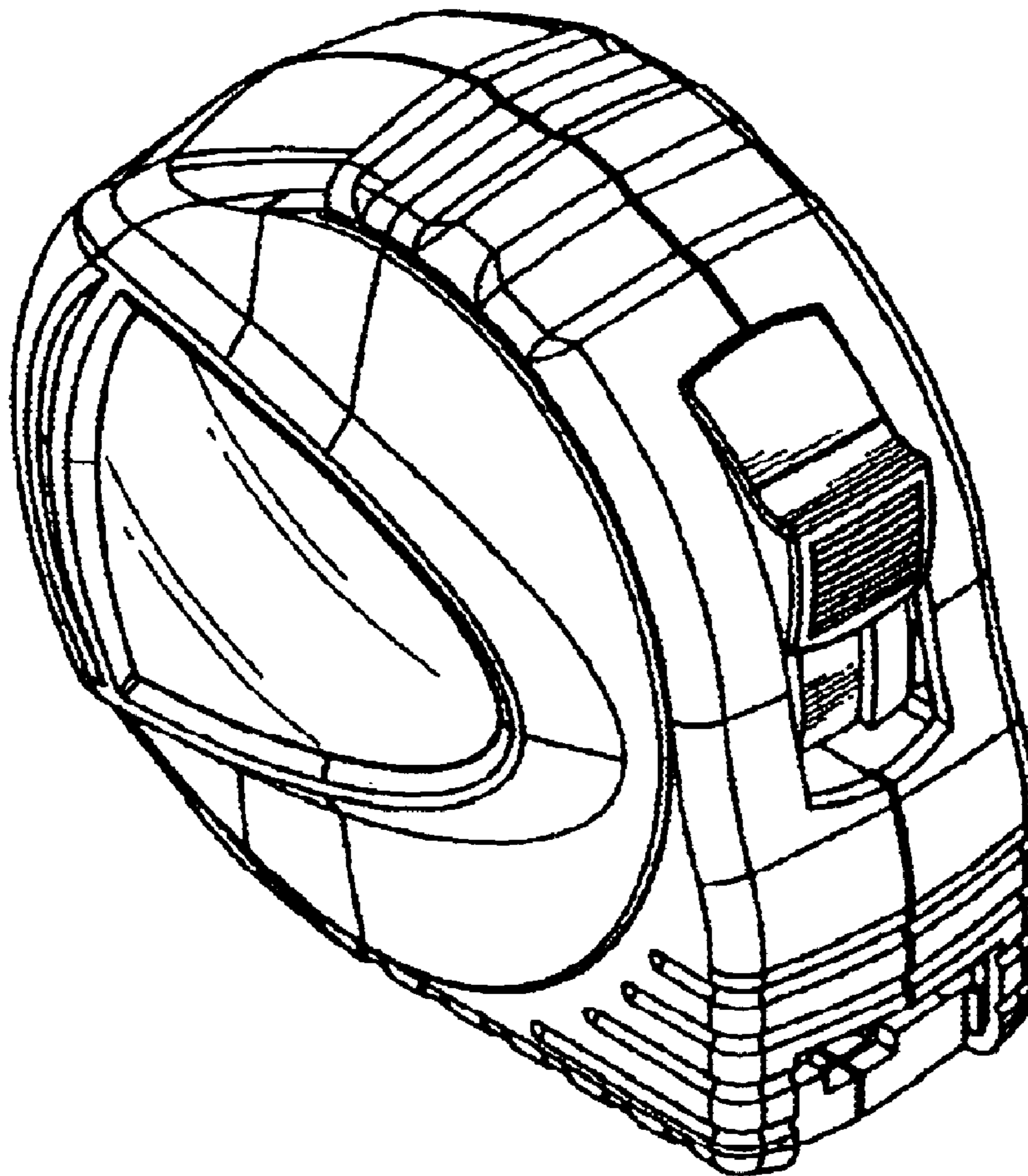
(57) **CLAIM**

The ornamental design for a measuring tape, as shown and described.

DESCRIPTION

FIG. 1 is a perspective view thereof;
FIG. 2 is a front view thereof;
FIG. 3 is a back view thereof;
FIG. 4 is a left side view thereof;
FIG. 5 is a right side view thereof;
FIG. 6 is a top view thereof; and,
FIG. 7 is a bottom view thereof.

1 Claim, 4 Drawing Sheets



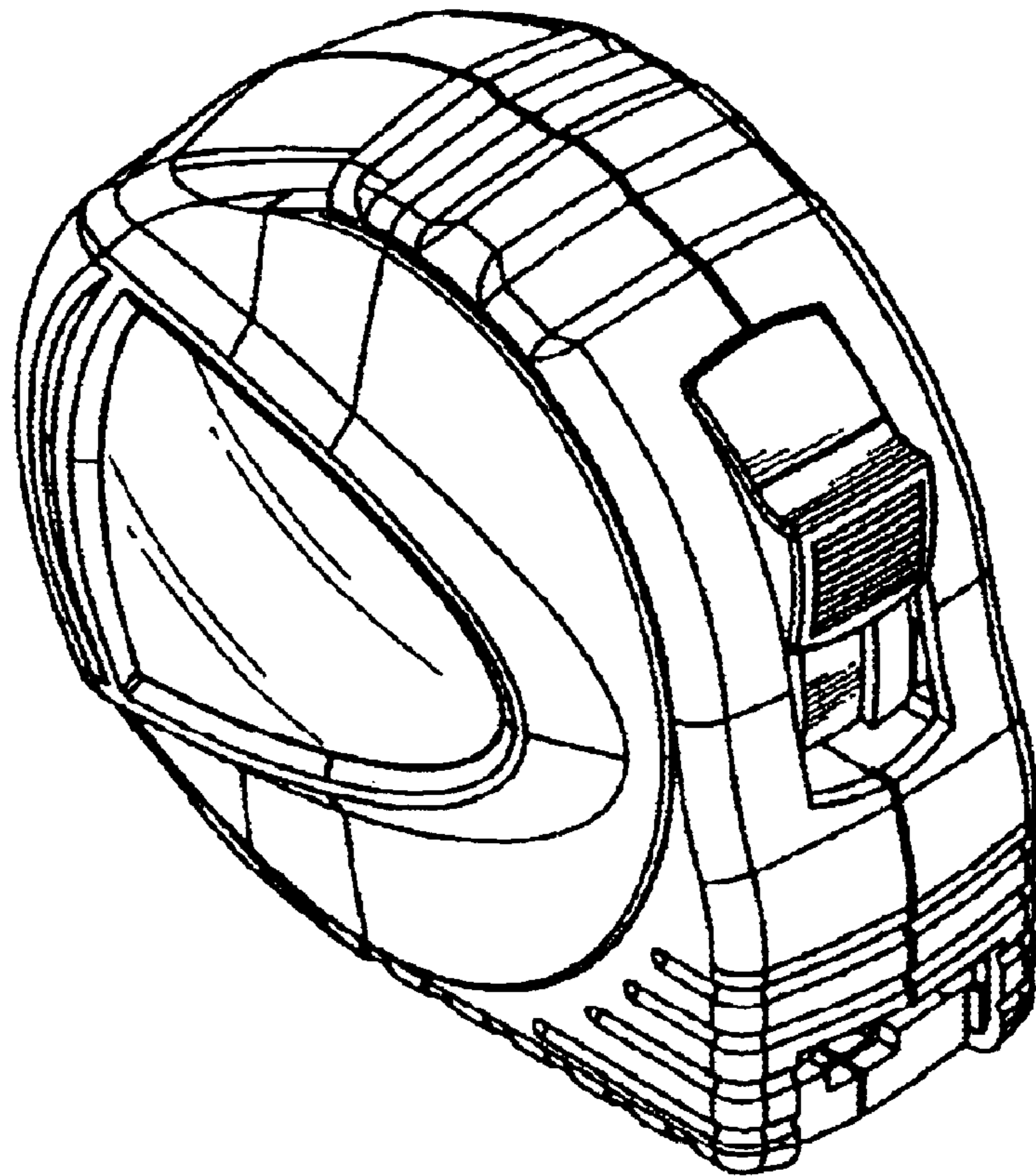


Fig. 1

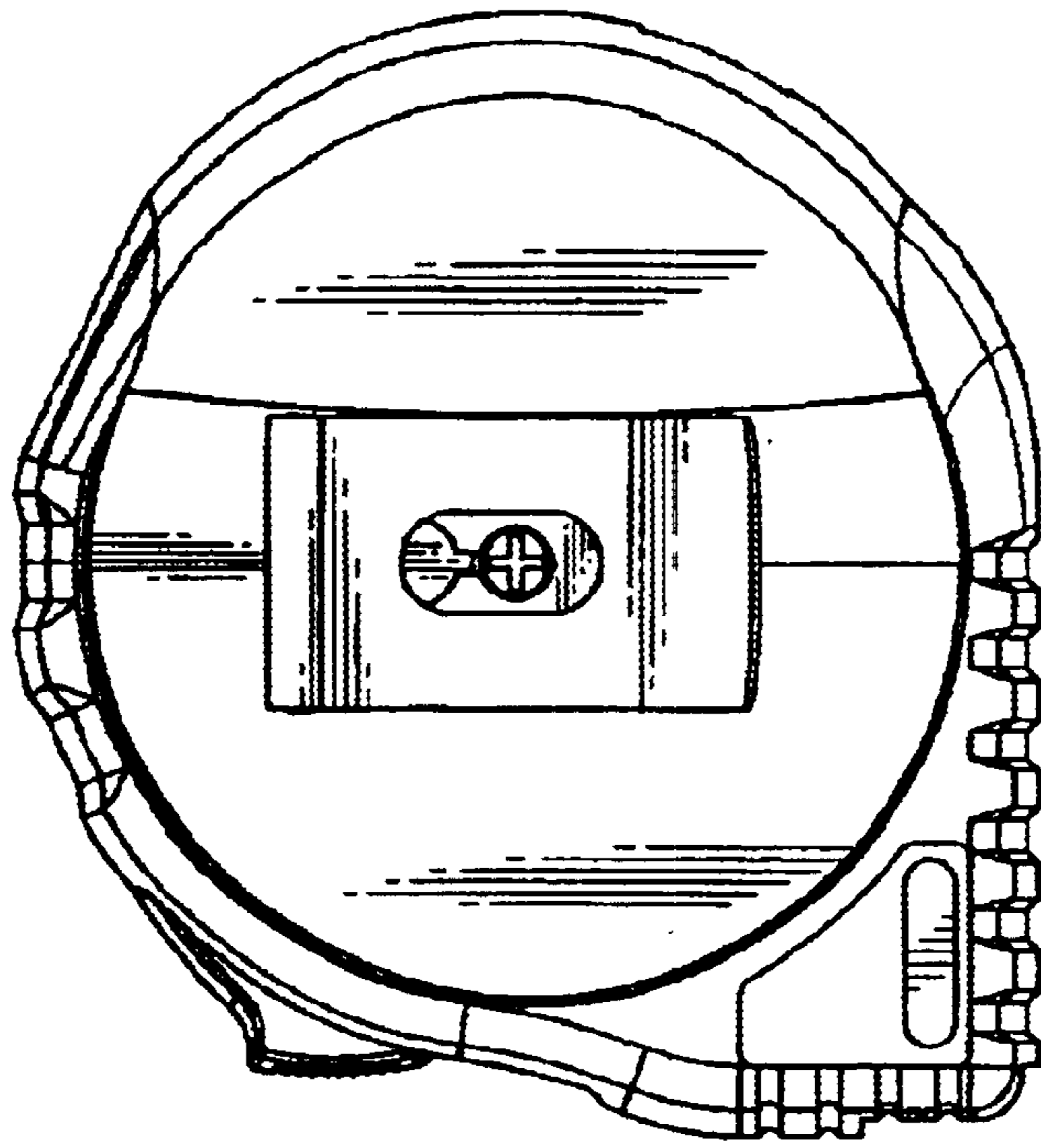


Fig. 2

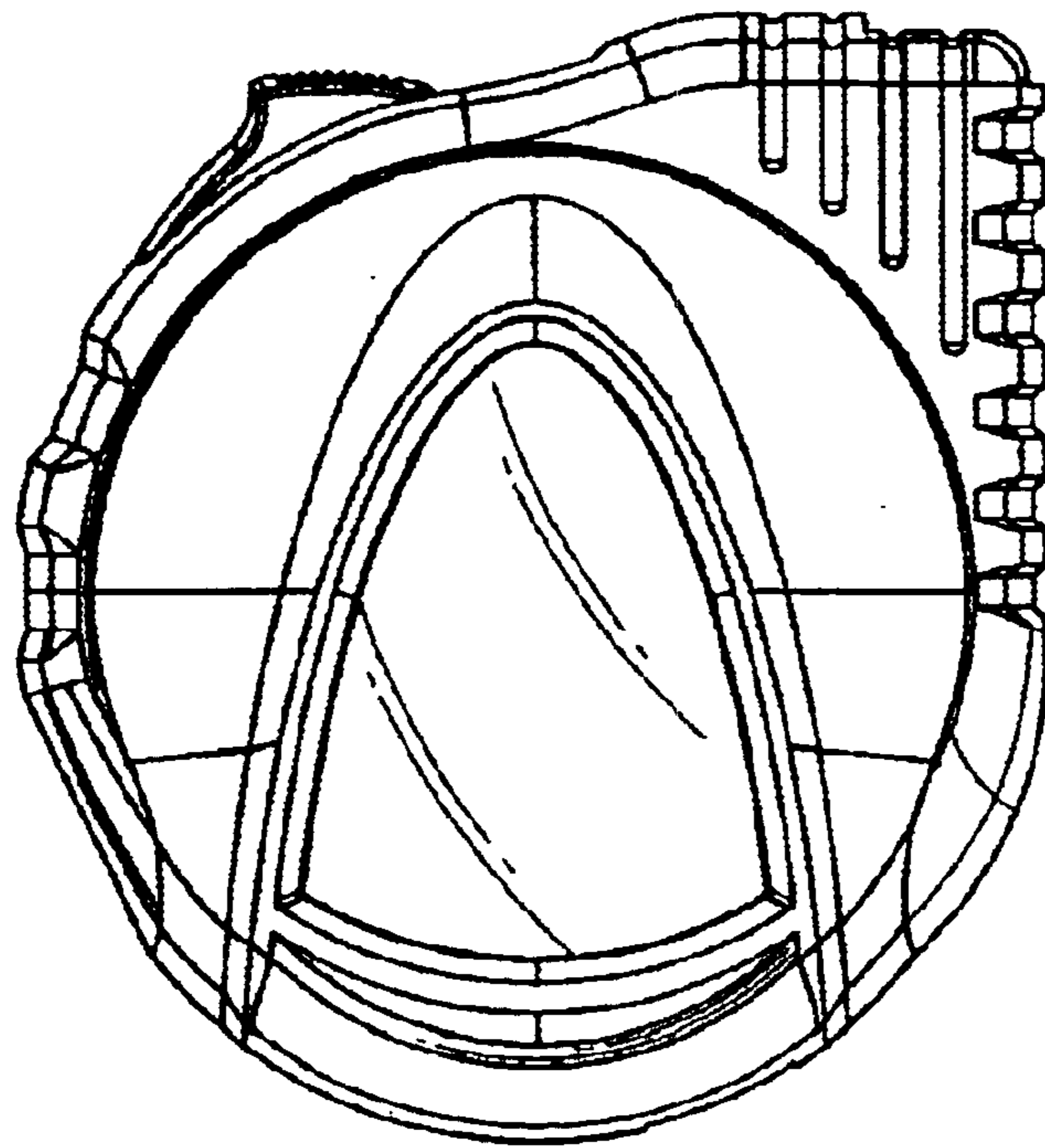


Fig. 3

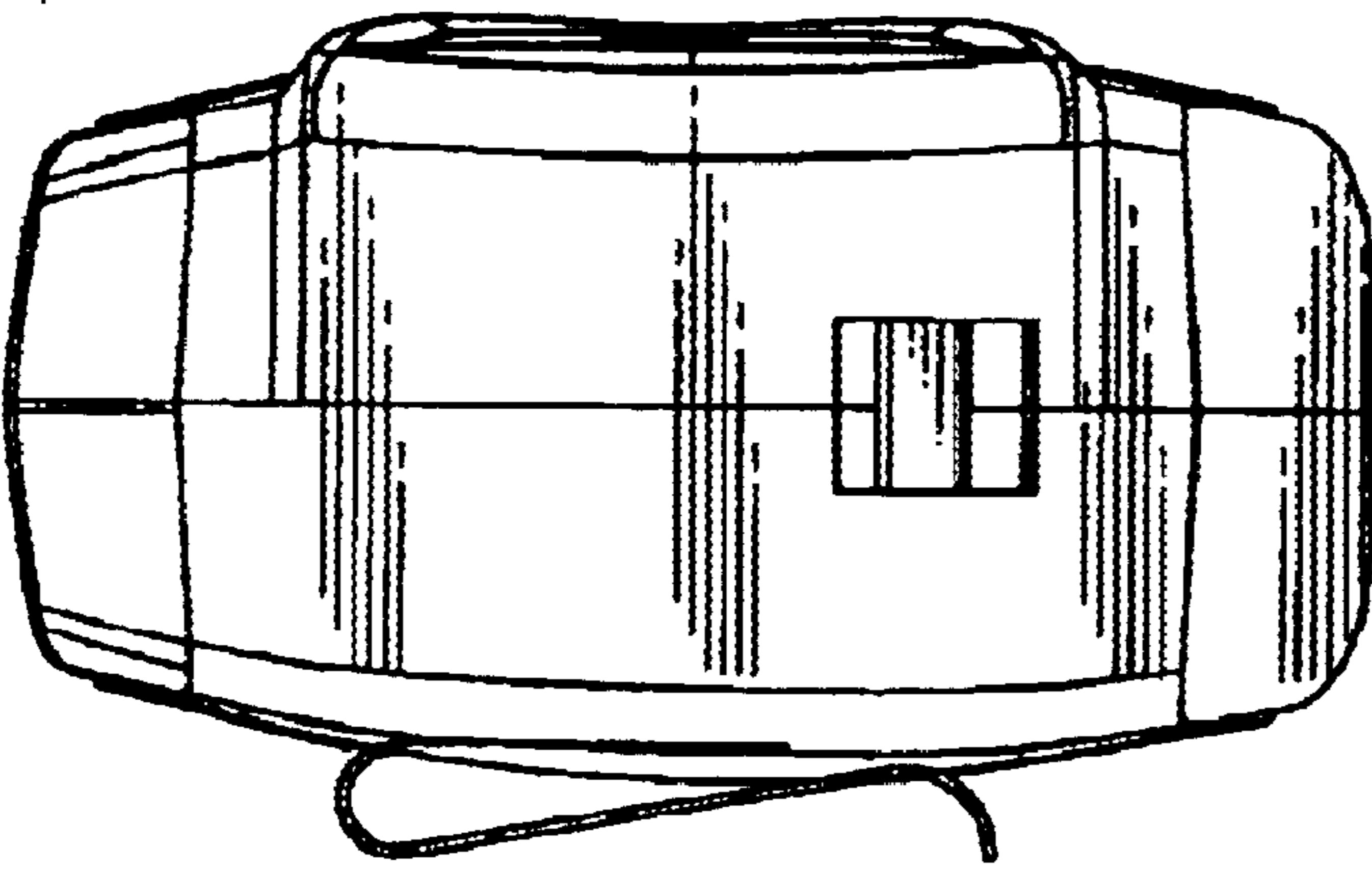


Fig. 4

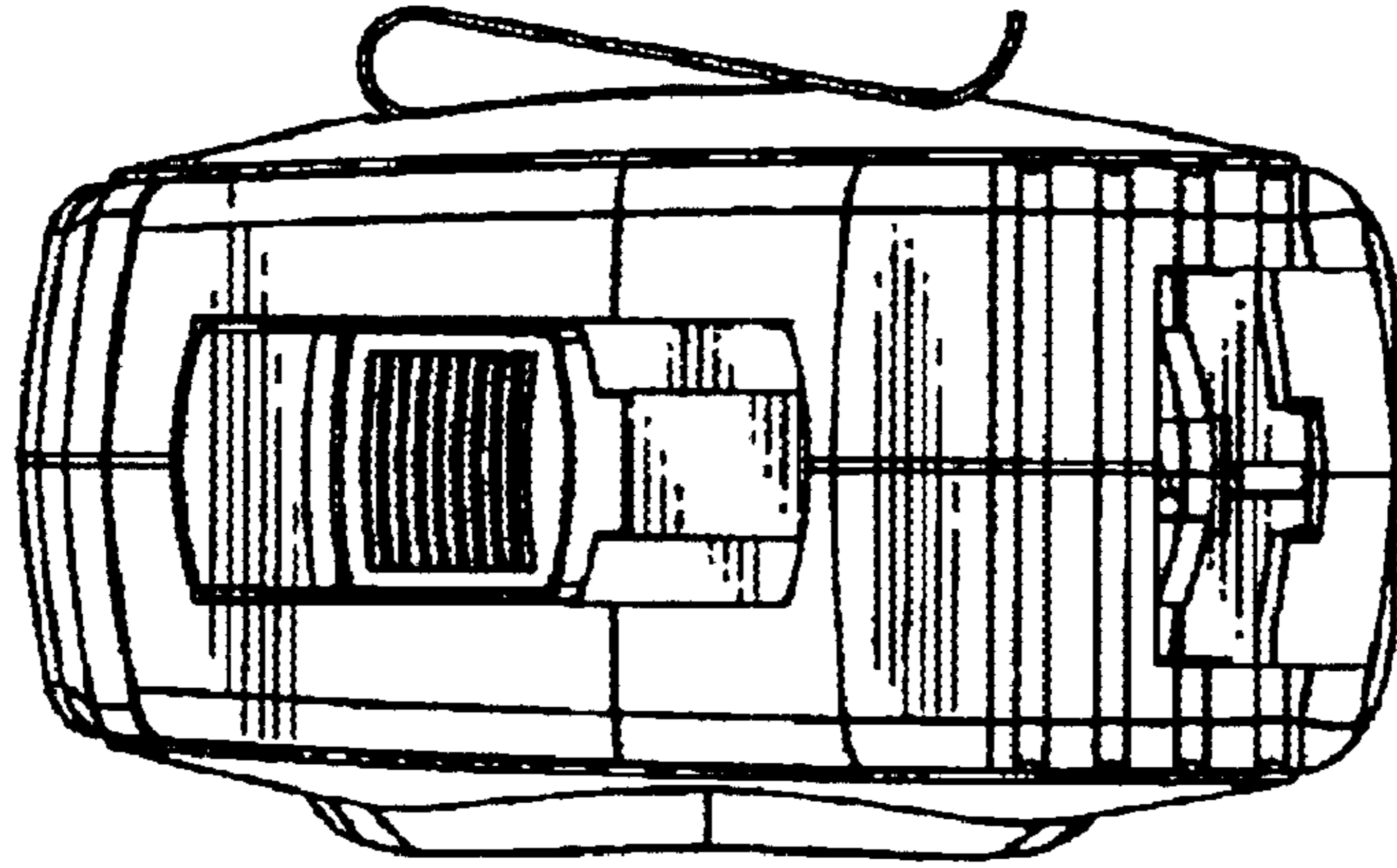


Fig. 5

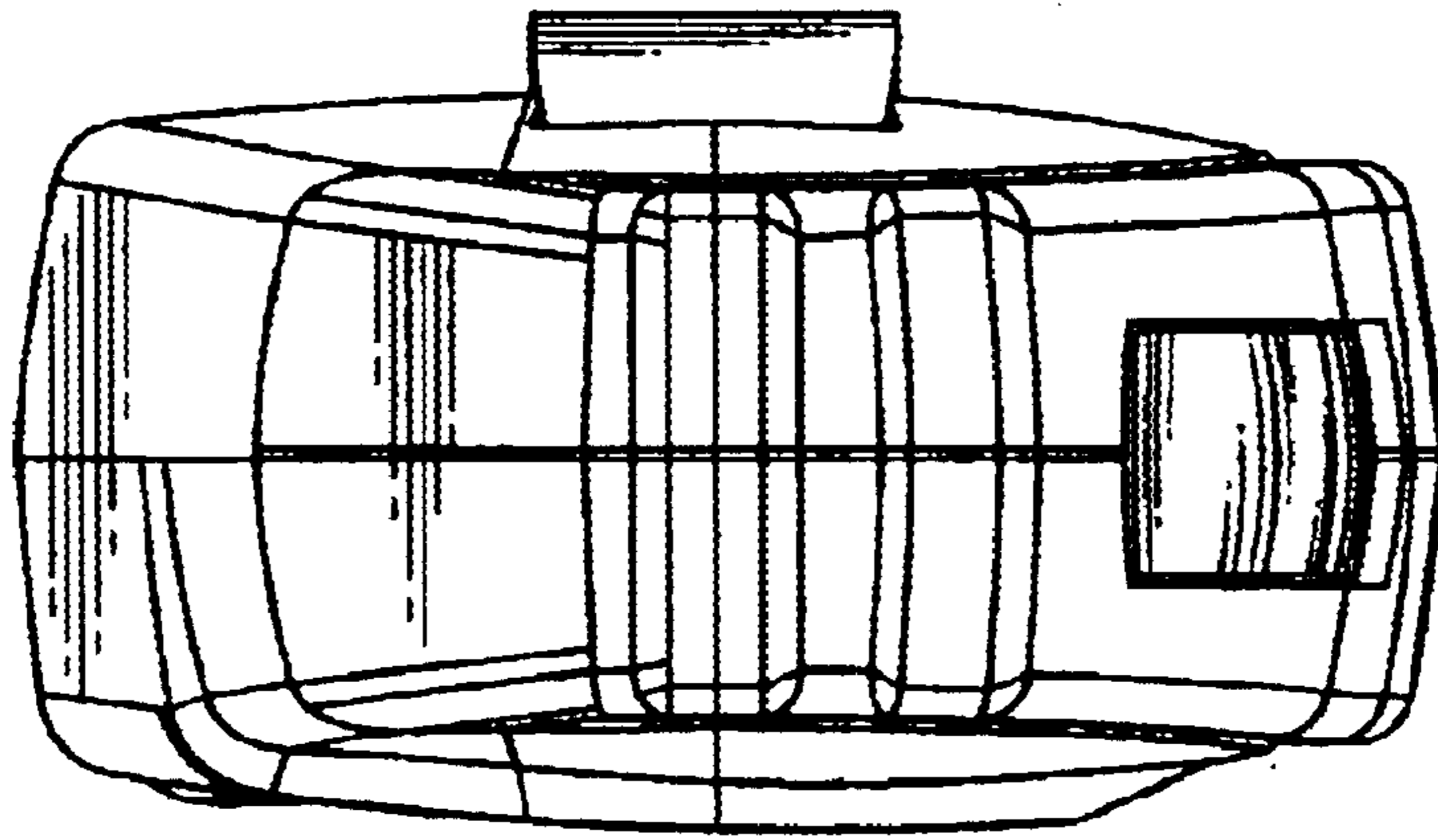


Fig.6

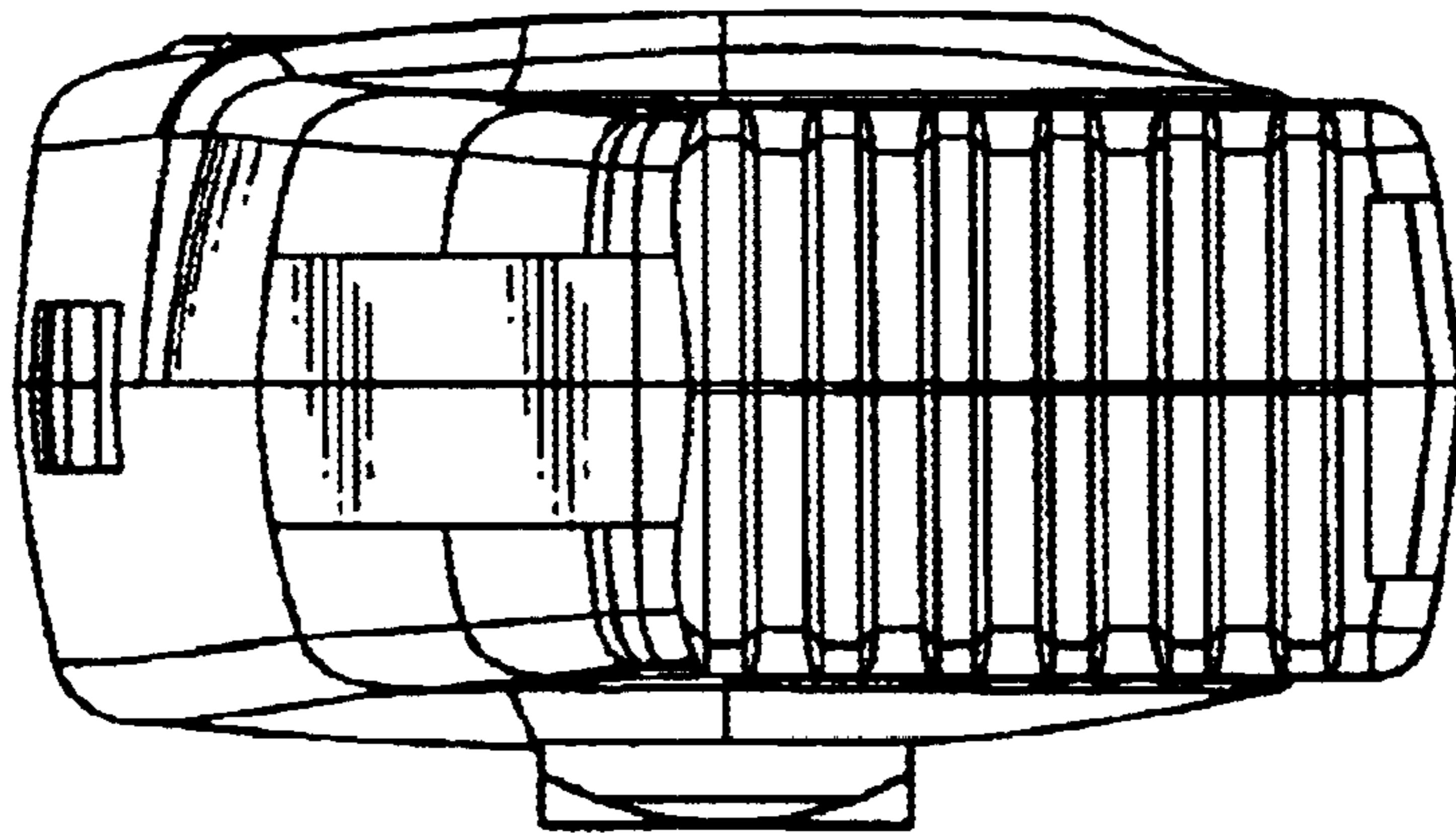


Fig.7