



US00D491080S

(12) **United States Design Patent**  
**Wu**

(10) **Patent No.:** **US D491,080 S**

(45) **Date of Patent:** **\*\* Jun. 8, 2004**

(54) **LASER LEVEL WITH ADJUSTABLE LASER PROJECTION LINE**

(75) Inventor: **Shuming Wu**, Nanjing (CN)

(73) Assignee: **Chervon International Trading Co., Ltd.** (CN)

(\*\*) Term: **14 Years**

(21) Appl. No.: **29/182,912**

(22) Filed: **Jun. 3, 2003**

(30) **Foreign Application Priority Data**

Dec. 3, 2002 (CN) ..... 02 3 71419

(51) **LOC (7) Cl.** ..... **10-04**

(52) **U.S. Cl.** ..... **D10/69**

(58) **Field of Search** ..... D10/69; 359/872;  
33/365-390; 362/116

(56) **References Cited**

**U.S. PATENT DOCUMENTS**

D410,585 S \* 6/1999 Ho ..... D10/69

\* cited by examiner

*Primary Examiner*—Antoine D. Davis

(74) *Attorney, Agent, or Firm*—Welsh & Katz, Ltd.

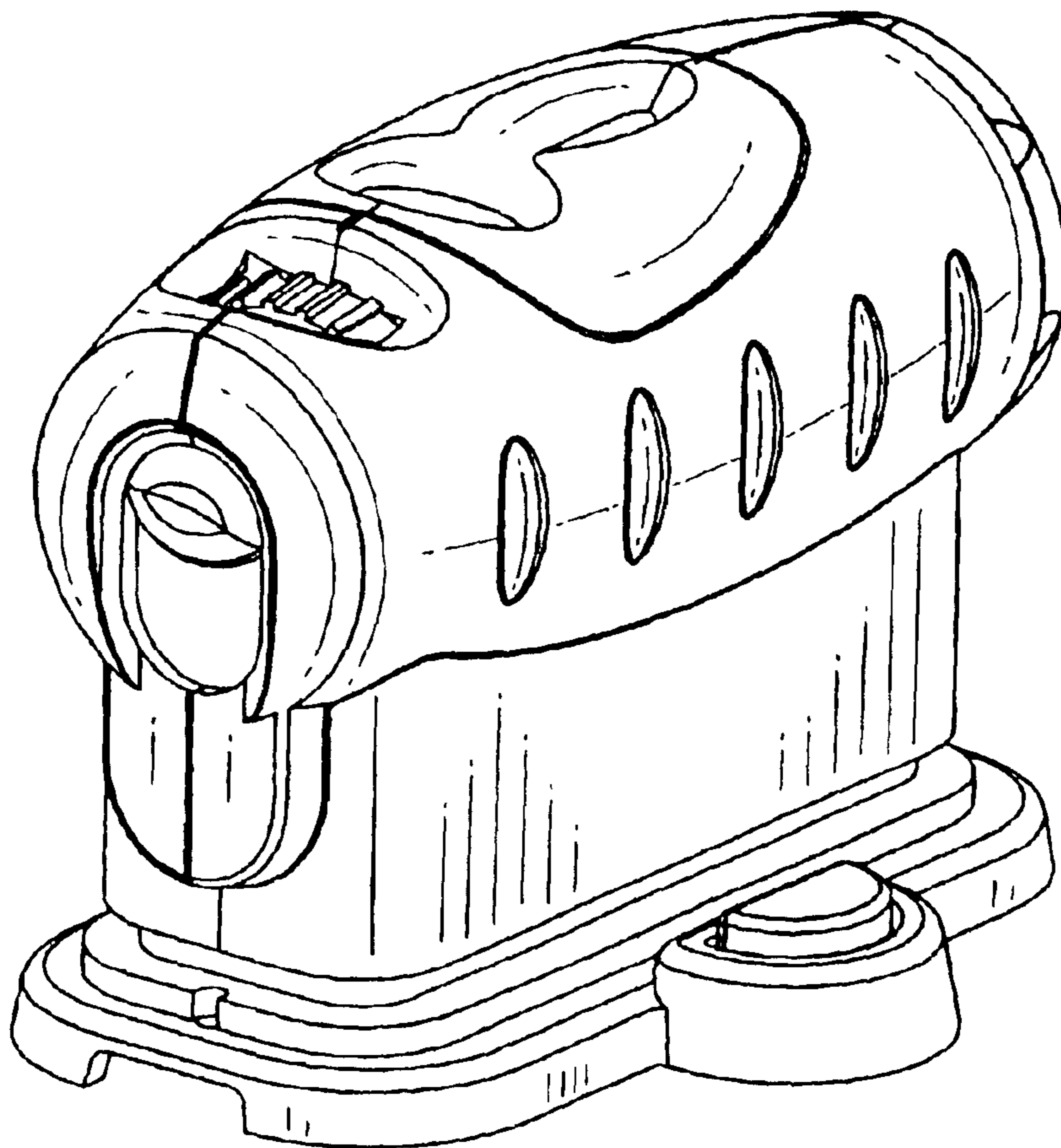
(57) **CLAIM**

The ornamental design for a laser level with adjustable laser projection line, as shown and described.

**DESCRIPTION**

FIG. 1 is a side view of a laser level with adjustable laser projection line embodying my new invention; FIG. 2 is a side view of the laser level as seen from an opposite side of that shown in FIG. 1; FIG. 3 is a front view of the laser level; FIG. 4 is a rear view of the laser level; FIG. 5 is a top view of the laser level; FIG. 6 is bottom view of the laser level; and, FIG. 7 is a perspective view of the laser level.

**1 Claim, 4 Drawing Sheets**



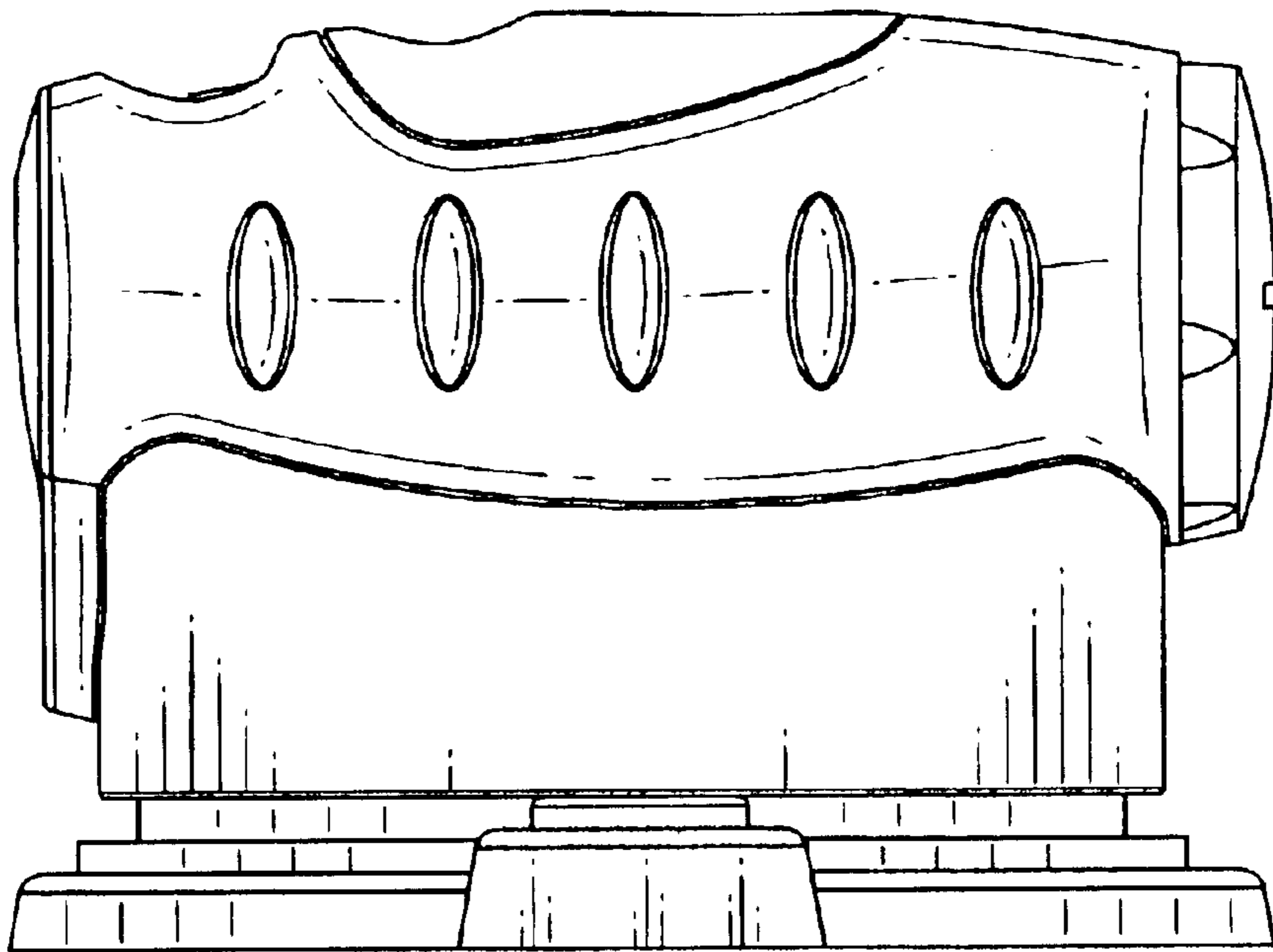


FIG. 1

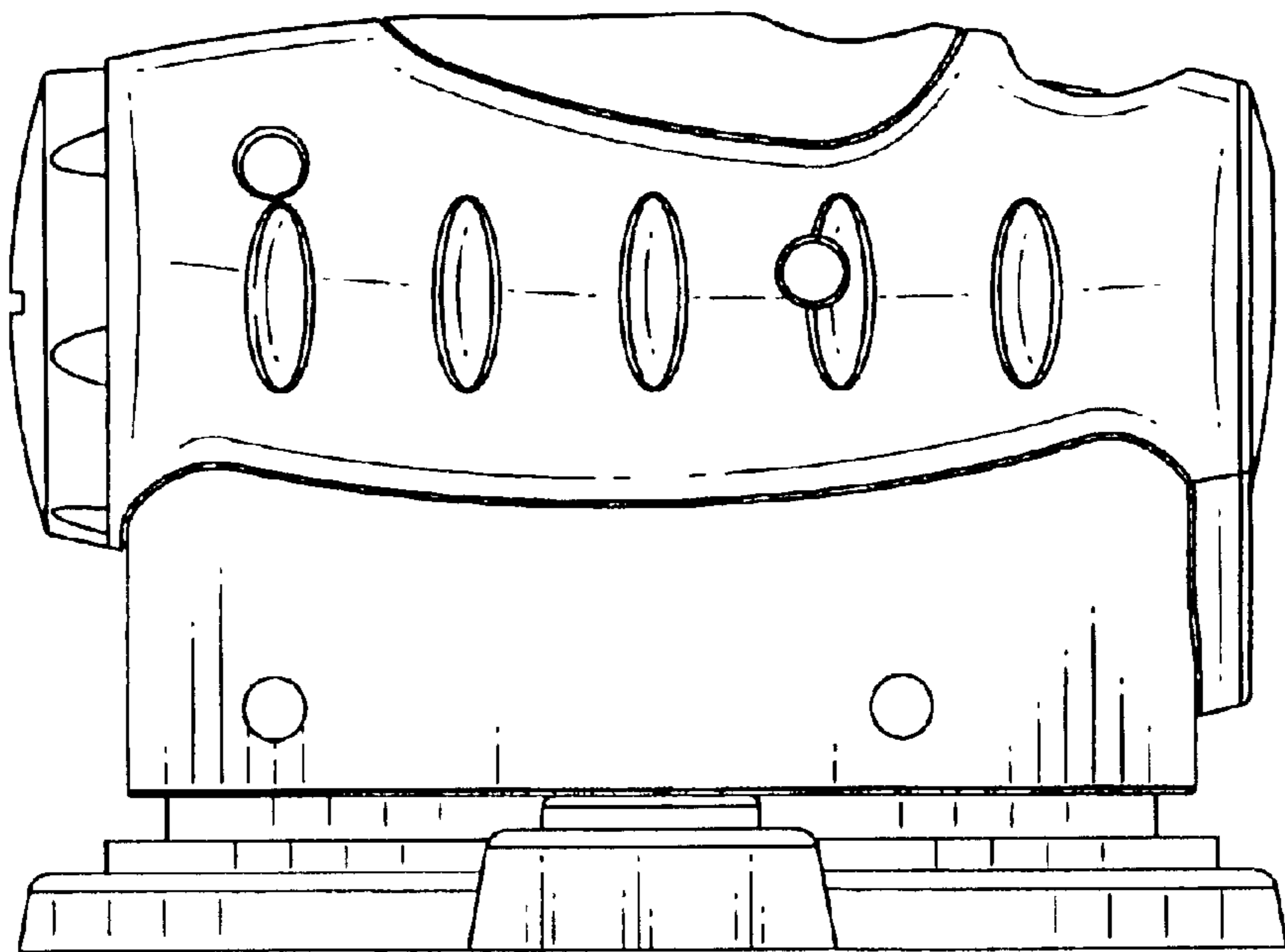


FIG. 2

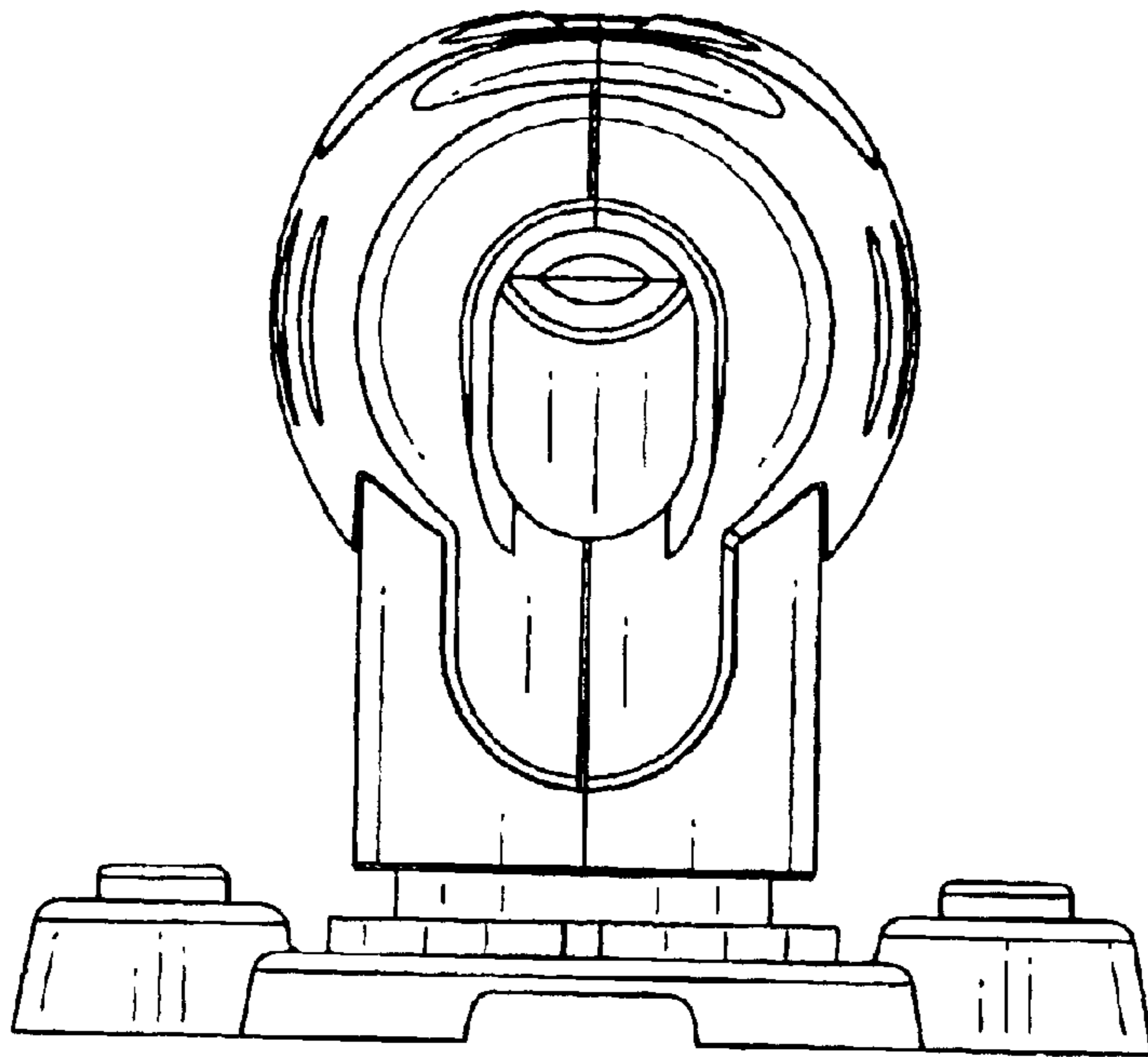


FIG. 3

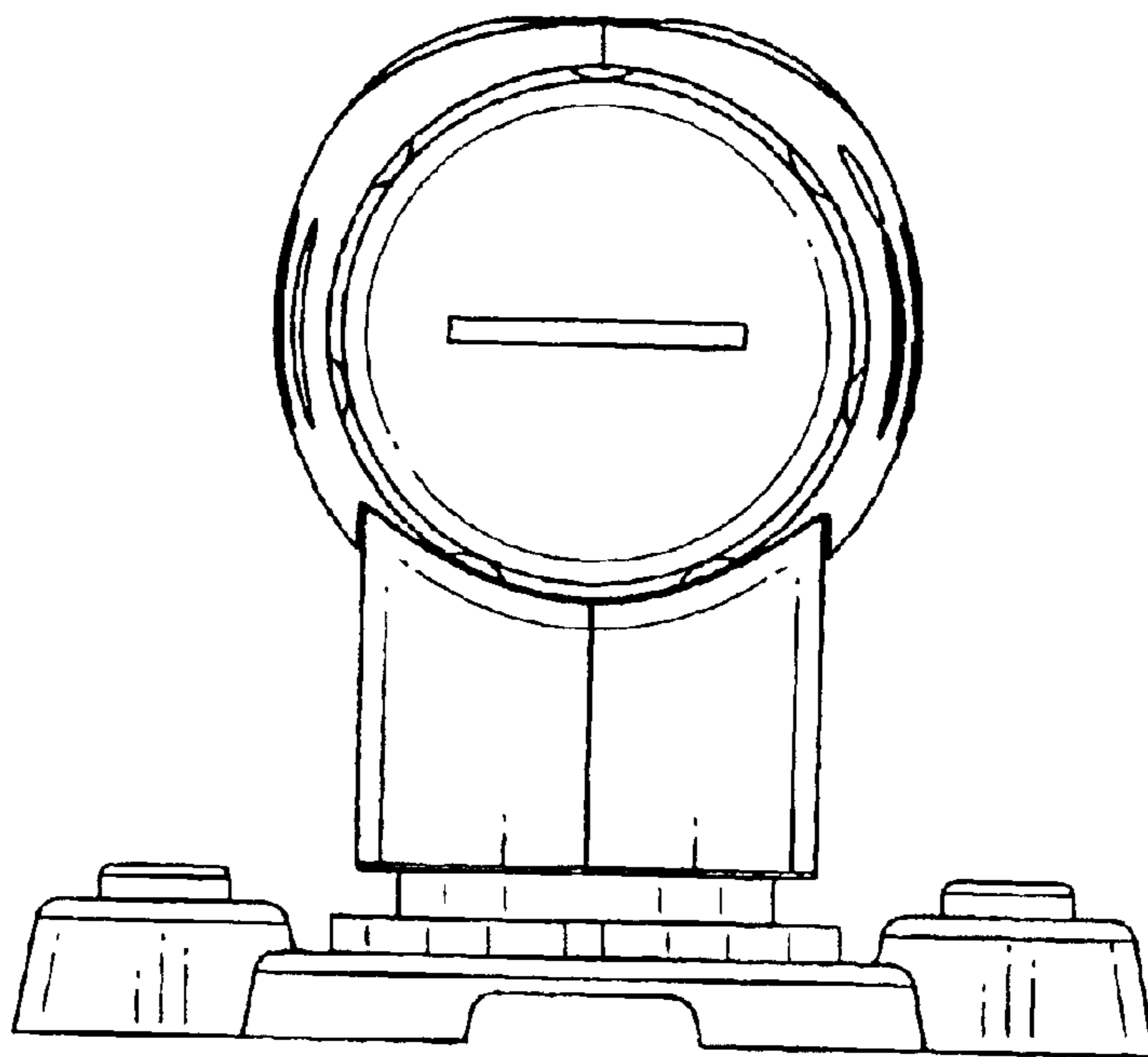


FIG. 4

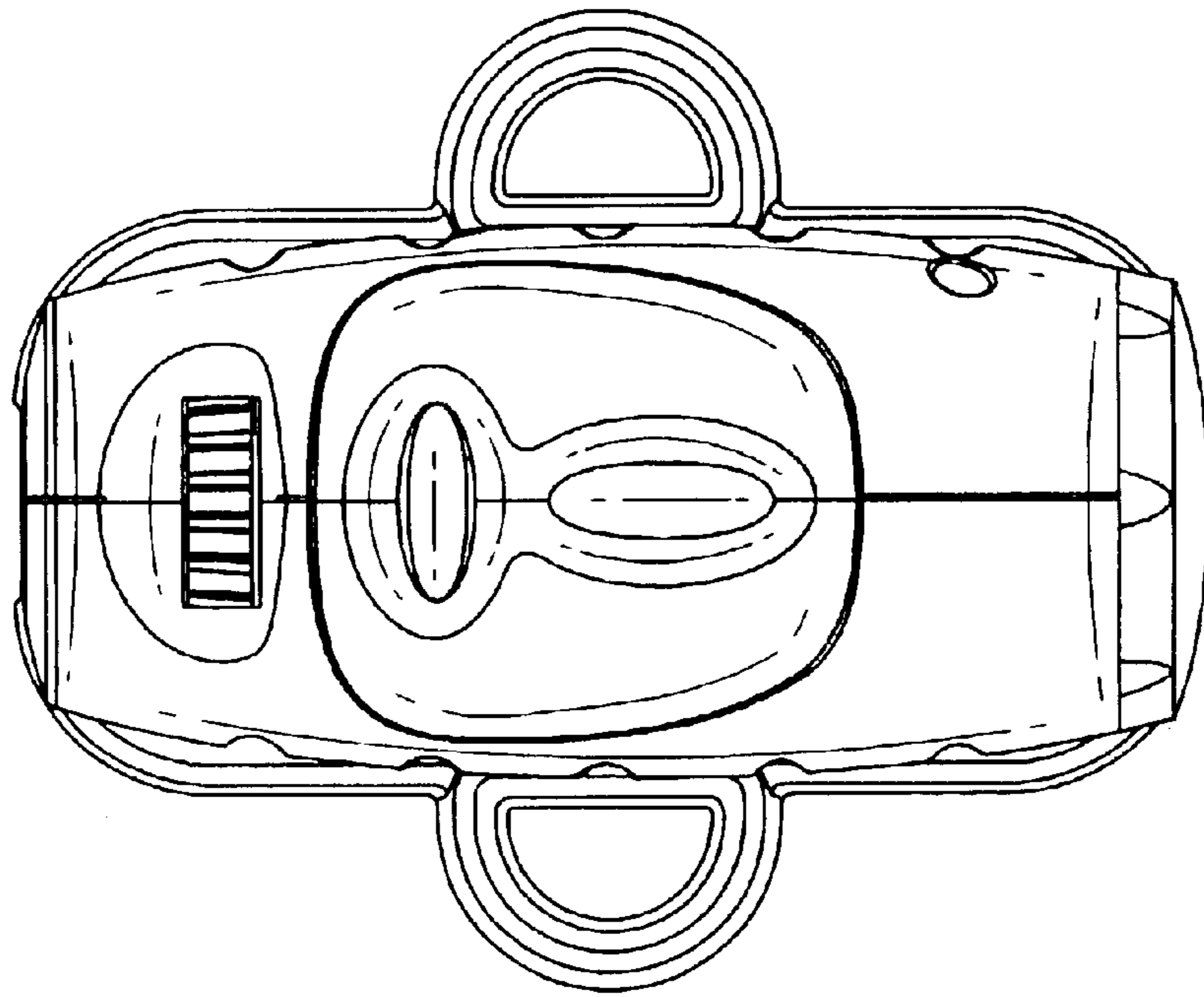


FIG. 5

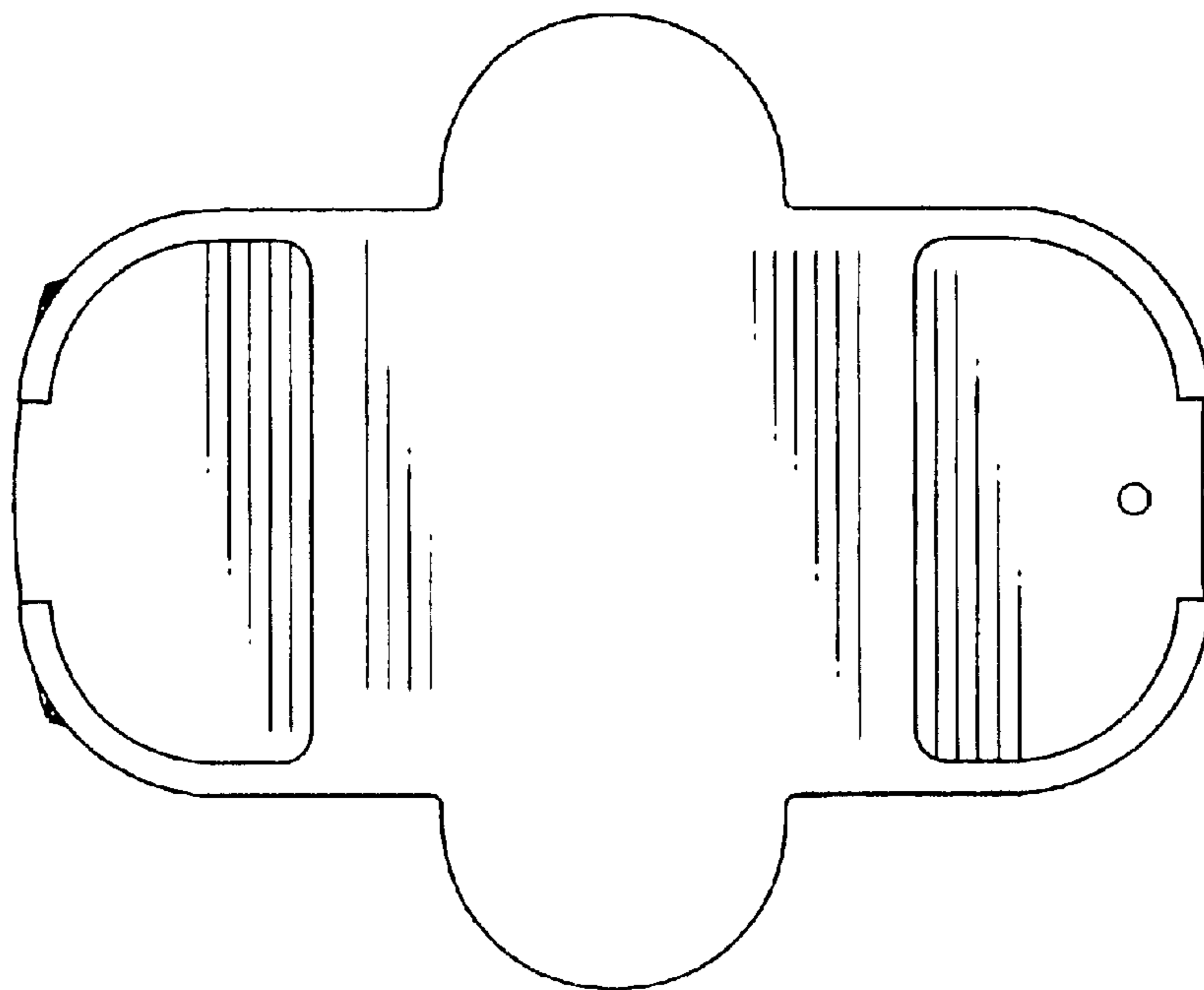


FIG. 6

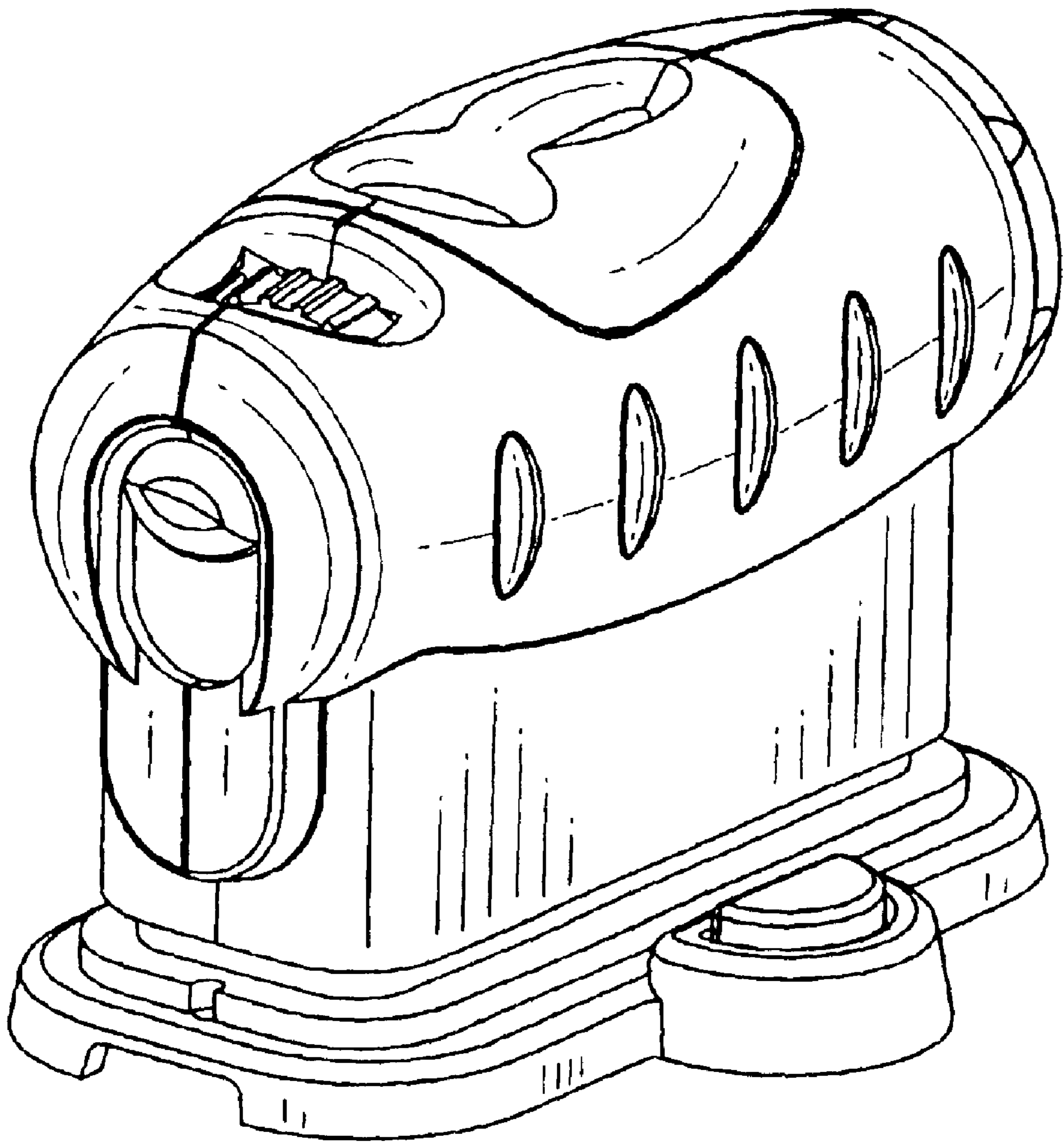


FIG. 7