



US00D491077S

(12) **United States Design Patent**
Stoop

(10) **Patent No.:** **US D491,077 S**

(45) **Date of Patent:** **** Jun. 8, 2004**

(54) **WATCHCASE**

(76) **Inventor:** **Martin Stoop**, Tannenbachstrasse 12,
8942 Oberrieden (CH)

(**) **Term:** **14 Years**

(21) **Appl. No.:** **29/190,862**

(22) **Filed:** **Sep. 26, 2003**

(30) **Foreign Application Priority Data**

Apr. 16, 2003 (WO) DM/063830

(51) **LOC (7) Cl.** **10-02**

(52) **U.S. Cl.** **D10/30**

(58) **Field of Search** D10/1-40, 122-132;
368/280-282, 276-277, 285, 294-295

(56) **References Cited**

U.S. PATENT DOCUMENTS

D377,613 S * 1/1997 Consolo D10/32

D380,392 S * 7/1997 Kennedy D10/30

OTHER PUBLICATIONS

Eight undated photographs of standard fire hose connectors.

* cited by examiner

Primary Examiner—Nelson C. Holtje

(74) *Attorney, Agent, or Firm*—Fross Zelnick Lehrman &
Zissu, P.C.; David I. Greenbaum

(57) **CLAIM**

The ornamental design for a watchcase, as shown and
described.

DESCRIPTION

FIG. 1 is a top perspective view of a watchcase;

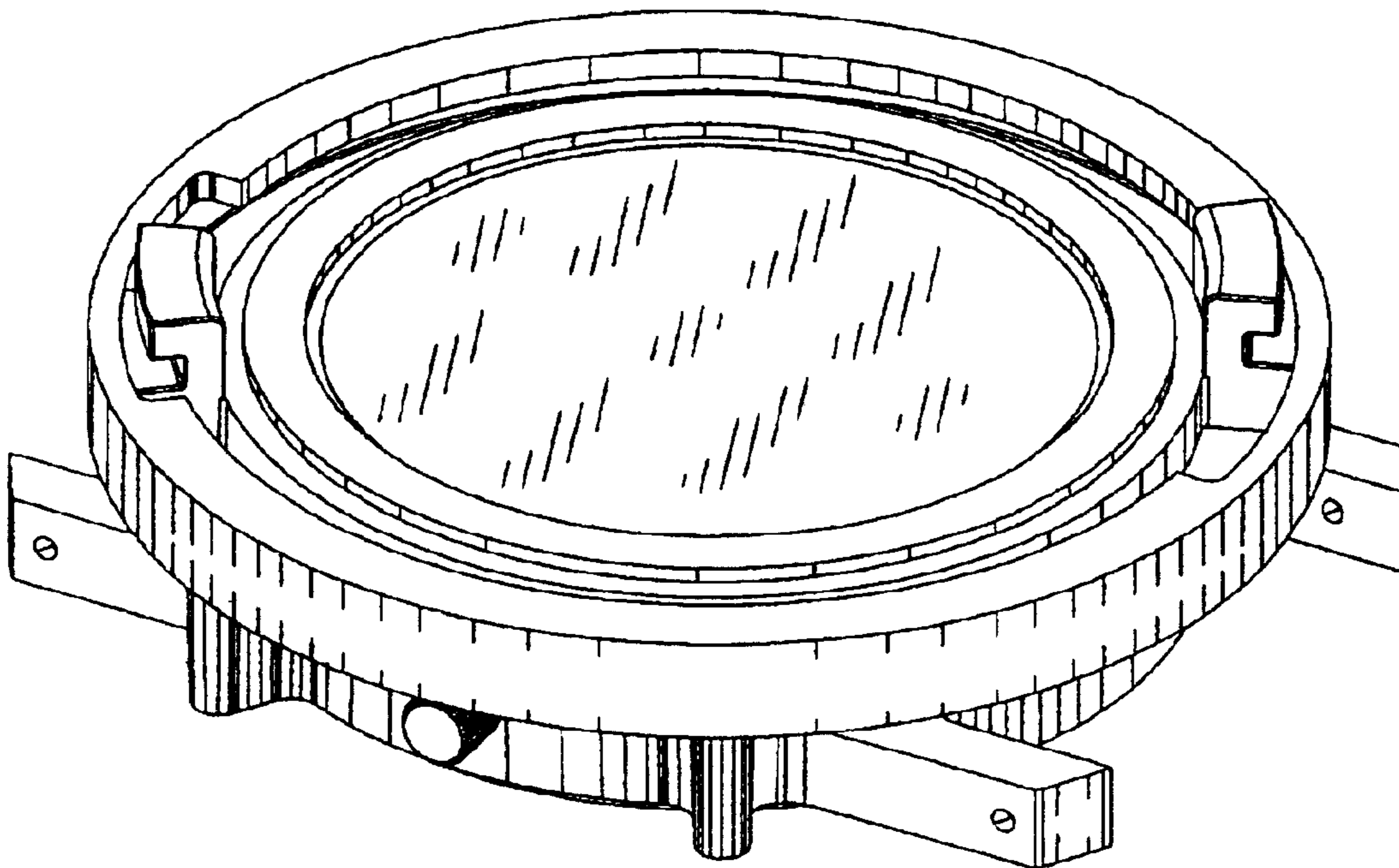
FIG. 2 is a bottom perspective view of the watchcase shown
in FIG. 1;

FIG. 3 is a top view of the watchcase shown in FIG. 1;

FIG. 4 is a bottom view of the watchcase shown in FIG. 1;
and,

FIG. 5 is a right side view of the watchcase shown in FIG.
1, the opposite side being a mirror image without the crown
element.

1 Claim, 5 Drawing Sheets



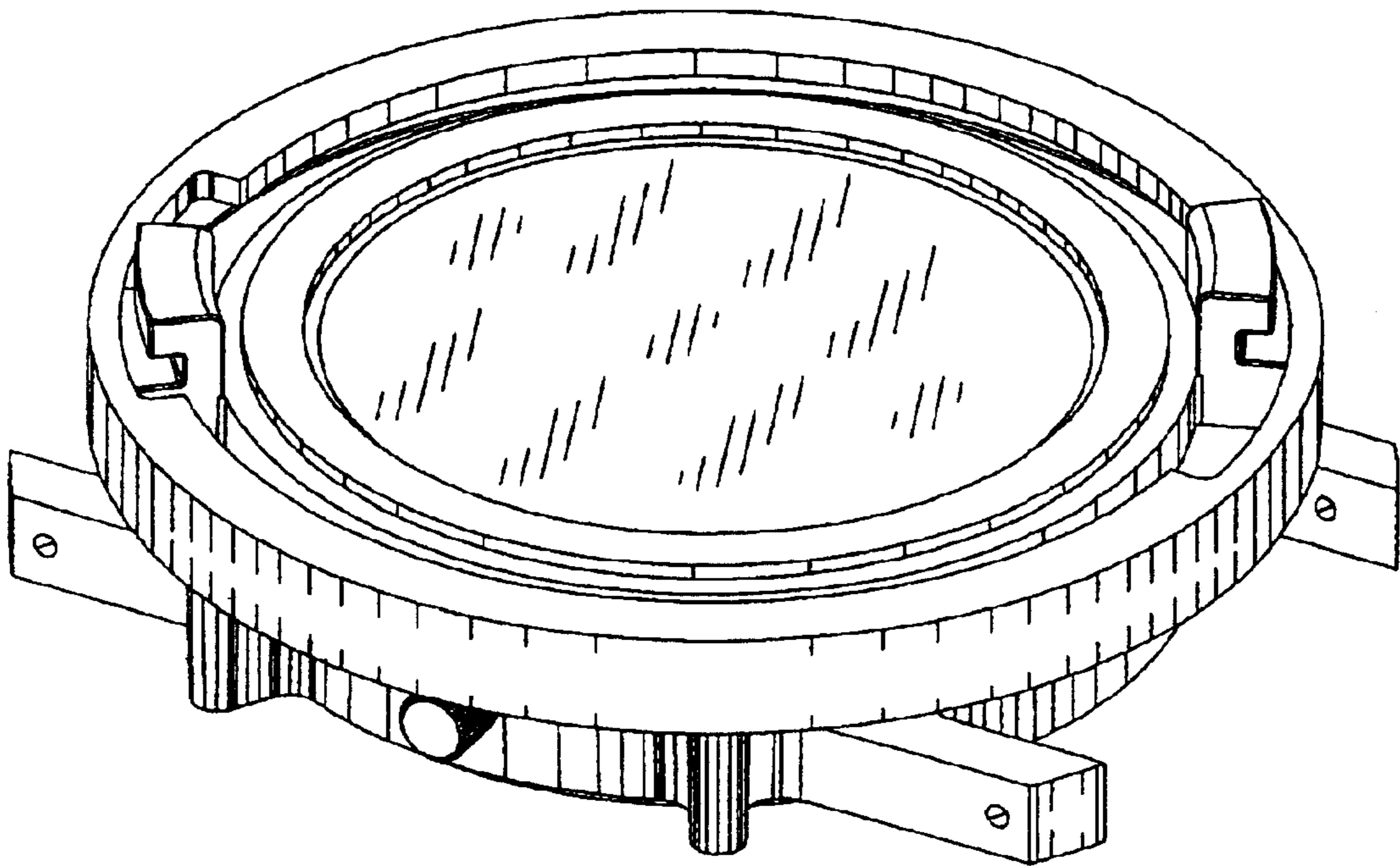


FIG. 1

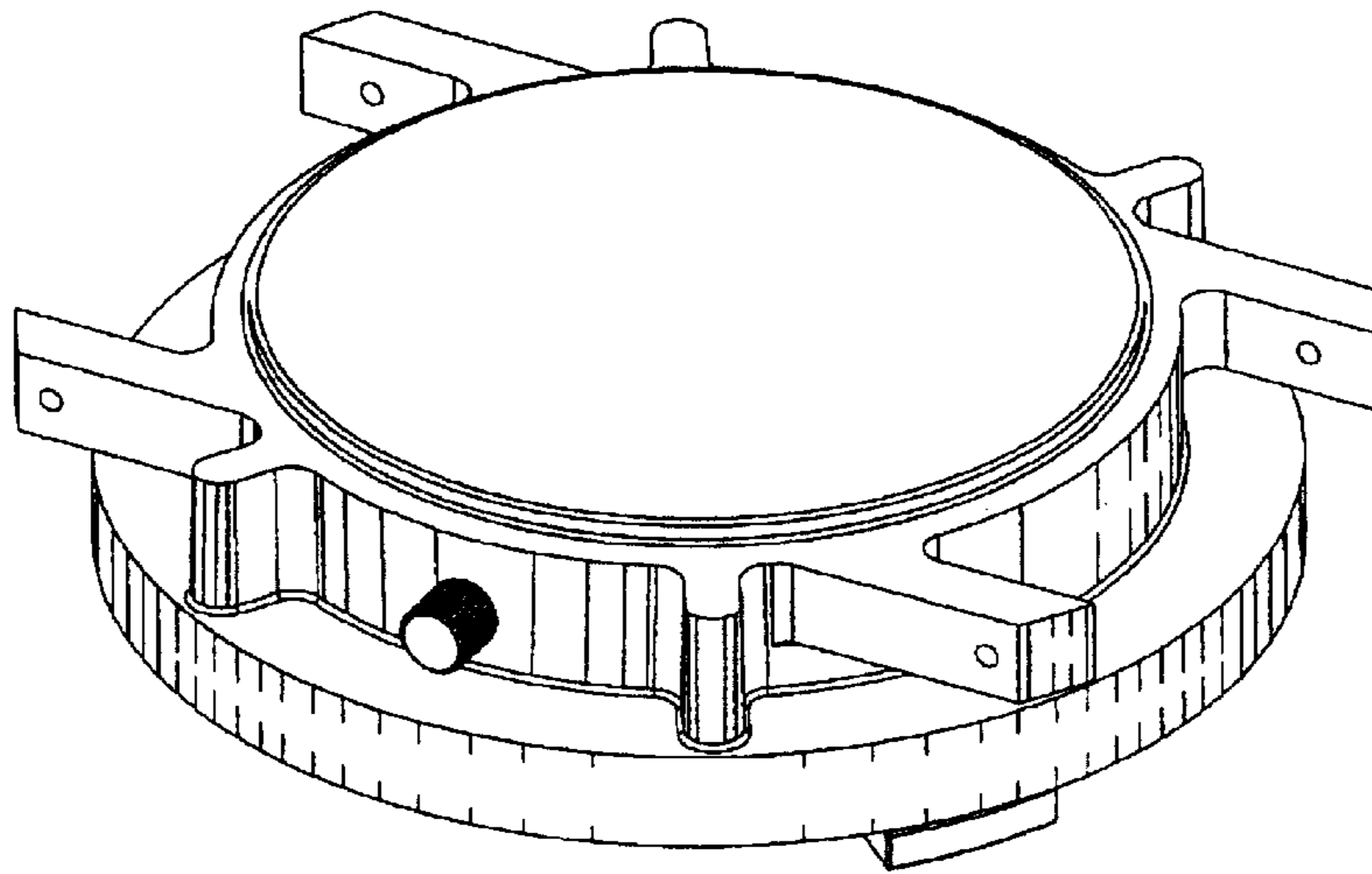


FIG. 2

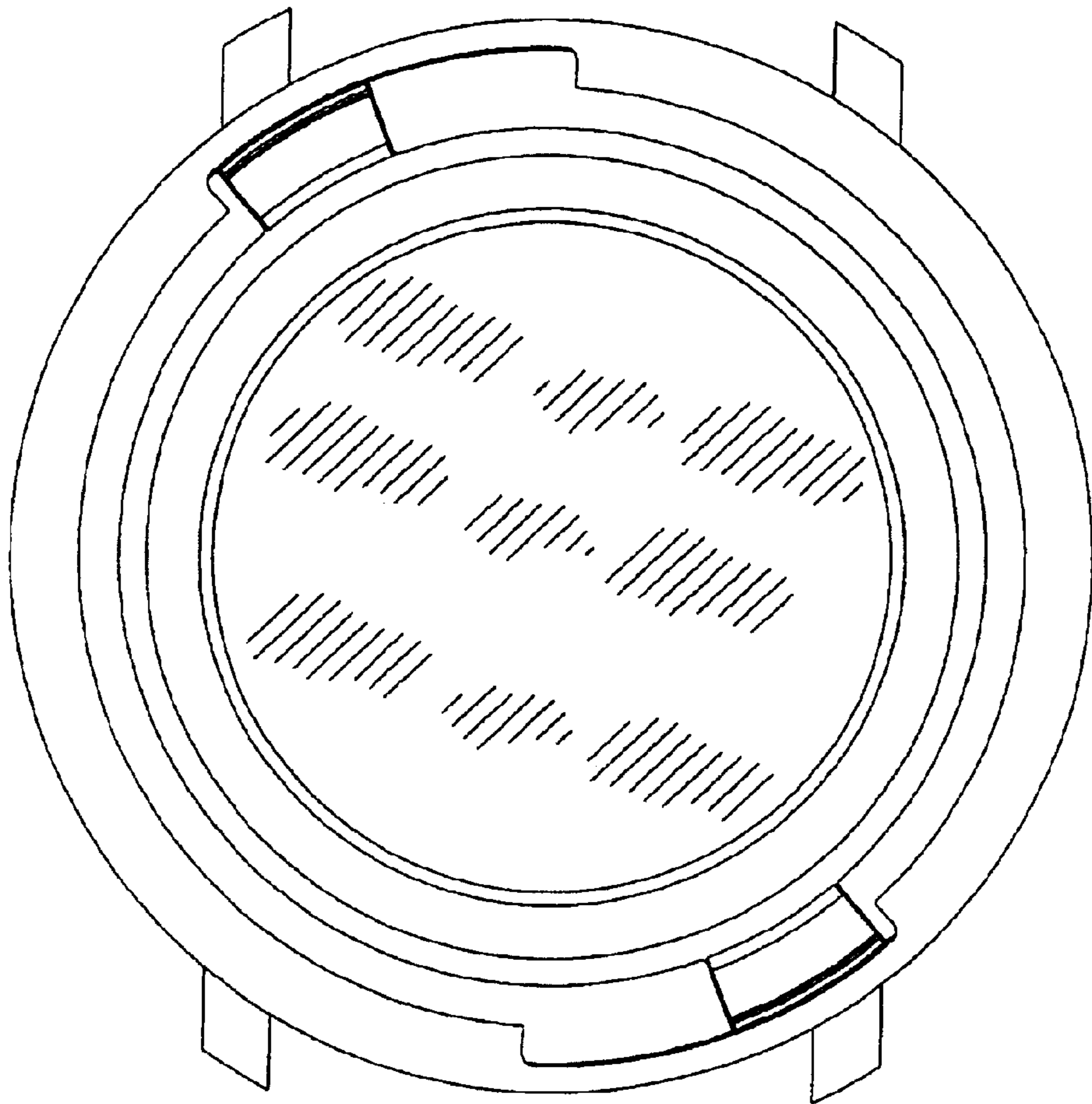


FIG. 3

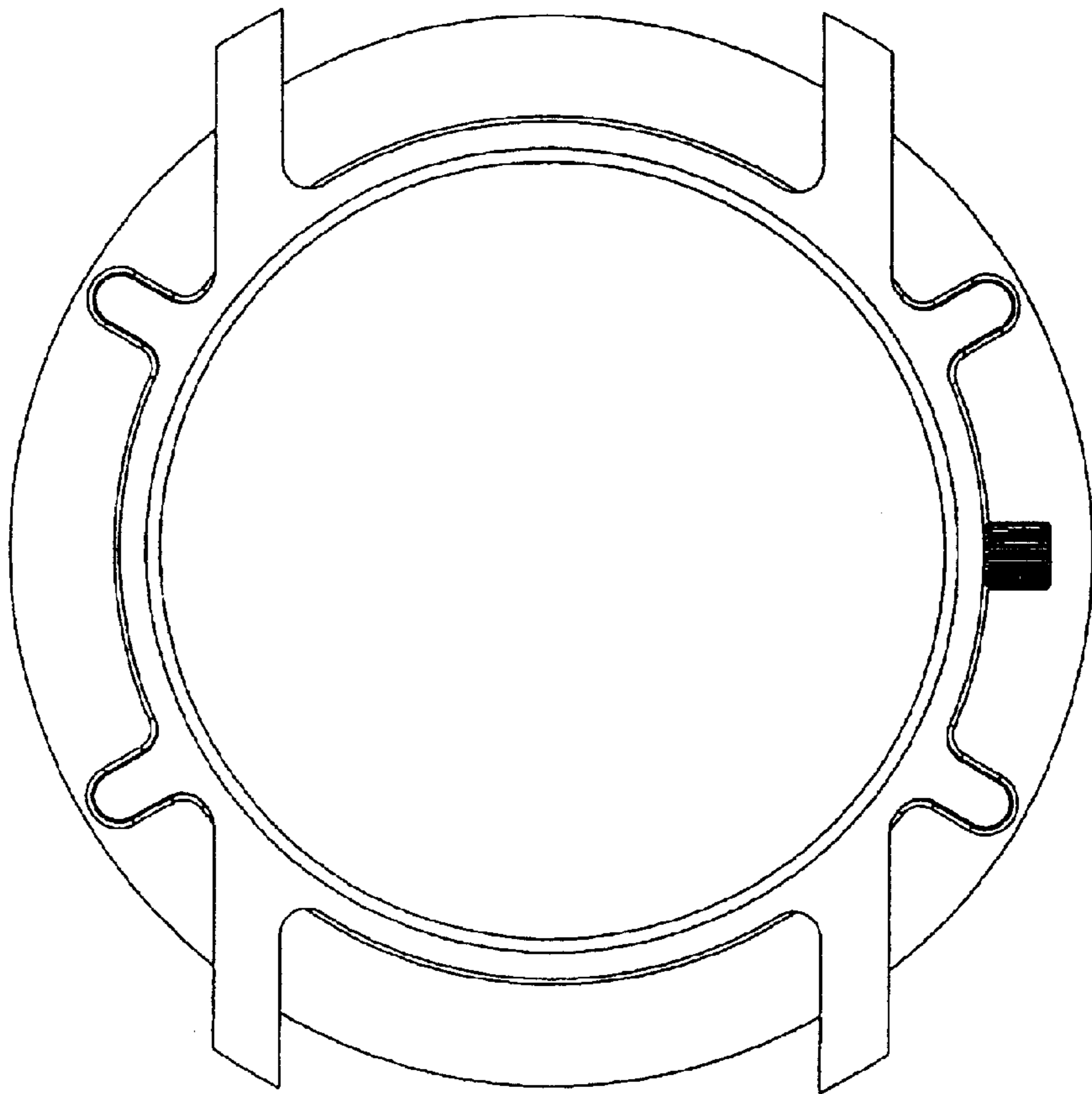


FIG. 4

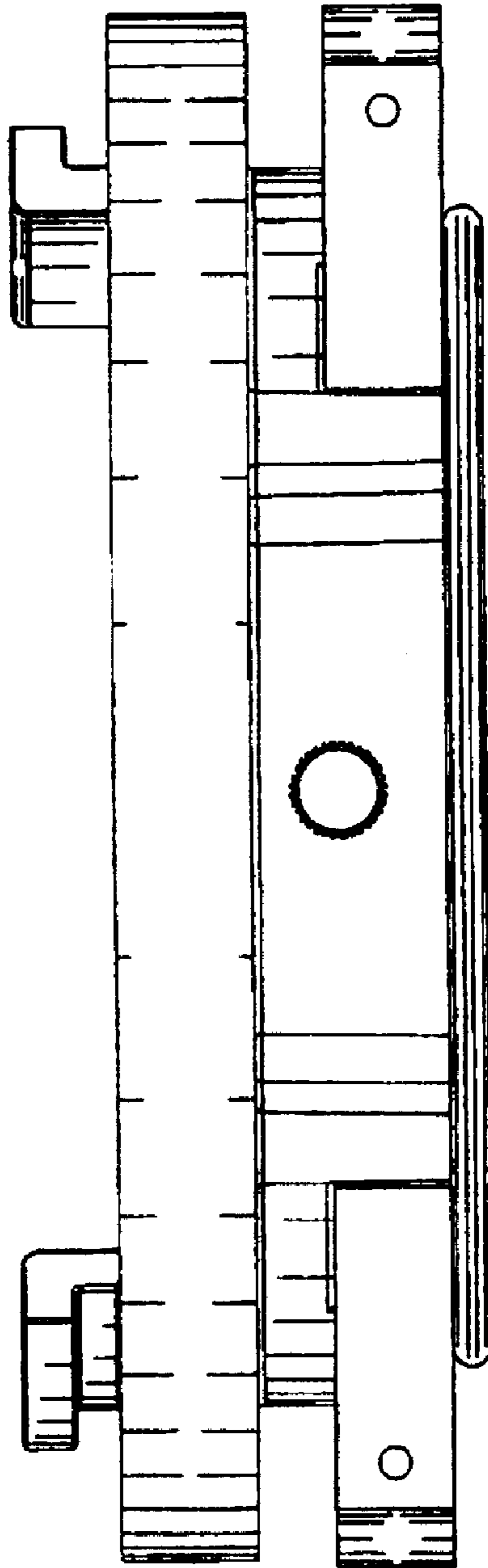


FIG. 5