



US00D491063S

(12) **United States Design Patent**  
**Hicks et al.**

(10) **Patent No.:** **US D491,063 S**

(45) **Date of Patent:** **\*\* Jun. 8, 2004**

(54) **GRIPPING STRUCTURE OF A CLOSURE**

6,253,942 B1 \* 7/2001 Elias ..... 215/305  
D472,947 S \* 4/2003 Wu ..... D8/312

(75) Inventors: **Marge M. Hicks**, Eagle, WI (US);  
**James W. Hammond**, North Prairie,  
WI (US); **Alan P. Hickok**, Waukesha,  
WI (US)

**FOREIGN PATENT DOCUMENTS**

GB 3001343 2/2002

\* cited by examiner

(73) Assignee: **Seaquist Closures Foreign, Inc.**,  
Crystal Lake, IL (US)

*Primary Examiner*—Louis S. Zarfes

*Assistant Examiner*—Gregory Andoll

(\*\*) Term: **14 Years**

(74) *Attorney, Agent, or Firm*—Wood, Phillips, Katz, Clark  
& Mortimer

(21) Appl. No.: **29/179,716**

(57) **CLAIM**

(22) Filed: **Apr. 14, 2003**

The ornamental design for a gripping structure of a closure,  
as shown and described.

(51) **LOC (7) Cl.** ..... **09-07**

(52) **U.S. Cl.** ..... **D9/443; D9/453**

(58) **Field of Search** ..... D9/503, 443, 453,  
D9/452, 448; D8/300, 312, 307, 310; 215/305,  
329; 220/212.5

**DESCRIPTION**

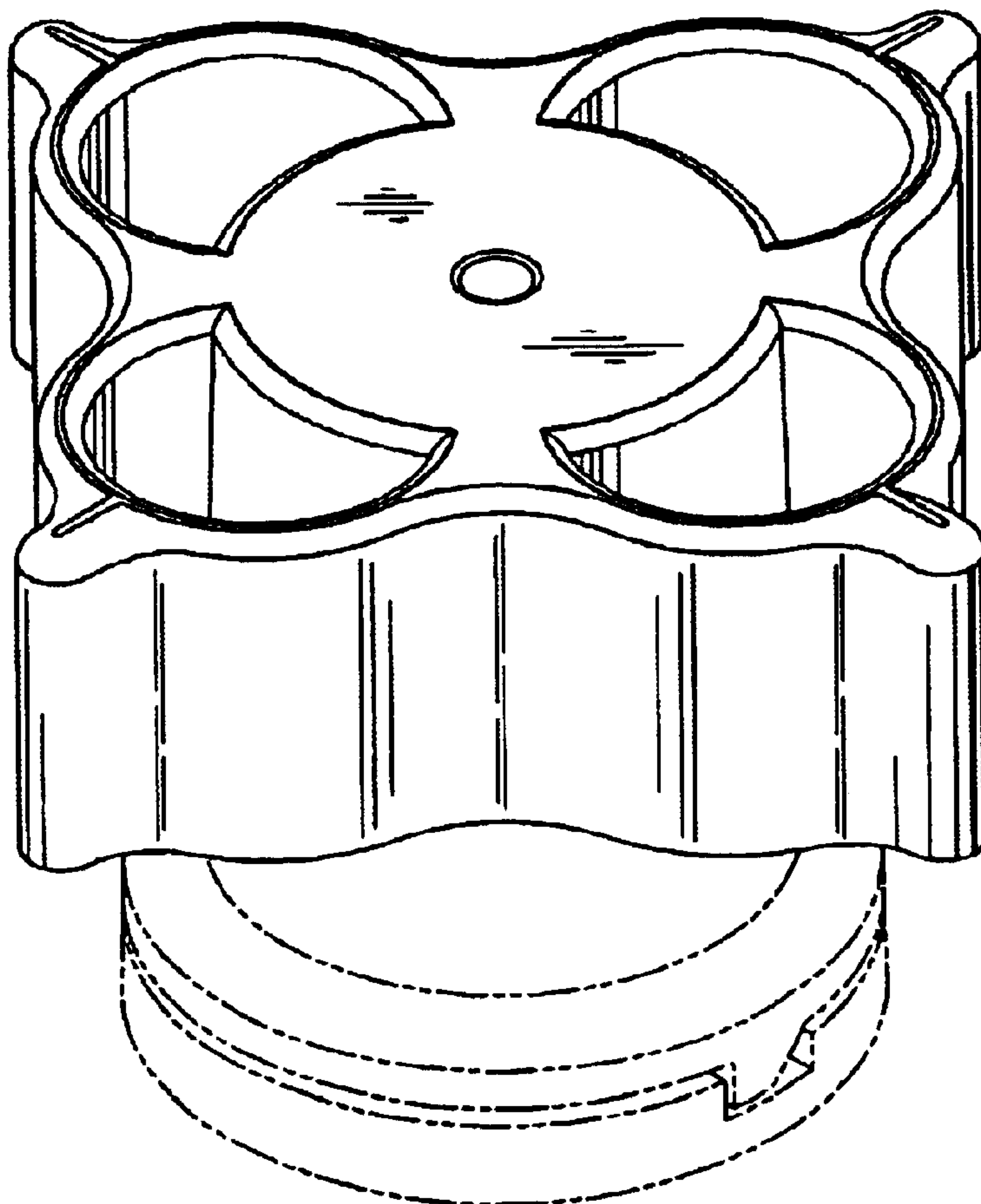
FIG. 1 is a perspective view of a gripping structure of a  
closure showing our new design, the lower portion of the  
closure being illustrated in broken lines for purposes of full  
disclosure in respect of one form that the bottom portion  
could have and that forms no part of our claimed design;  
FIG. 2 is a top plan view thereof; and,  
FIG. 3 is a side elevational view thereof.

(56) **References Cited**

**U.S. PATENT DOCUMENTS**

D354,914 S \* 1/1995 Newman ..... D9/503  
D367,228 S \* 2/1996 Woods ..... D9/448  
5,941,404 A \* 8/1999 Charrette ..... 215/305

**1 Claim, 3 Drawing Sheets**



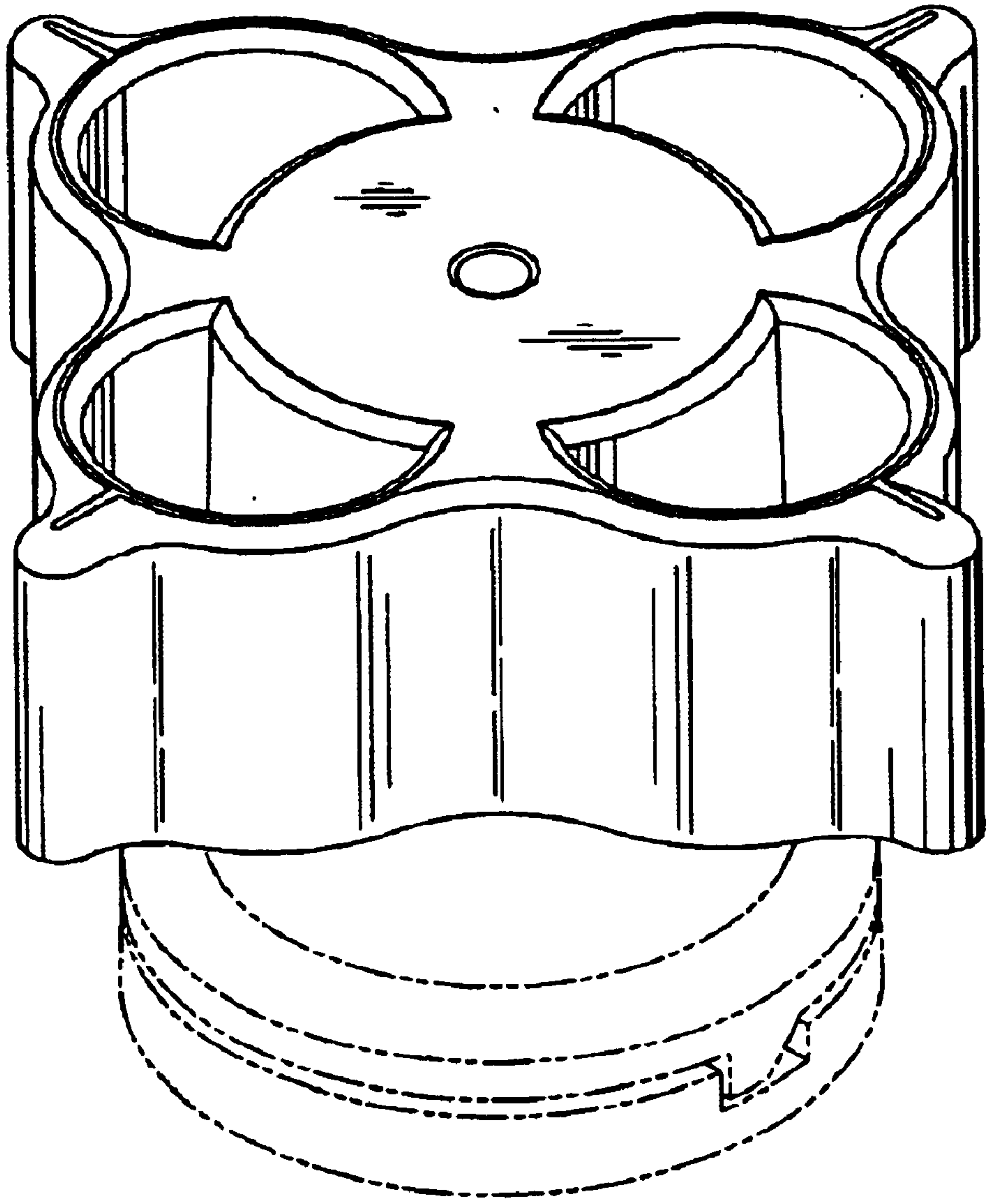


FIG. 1

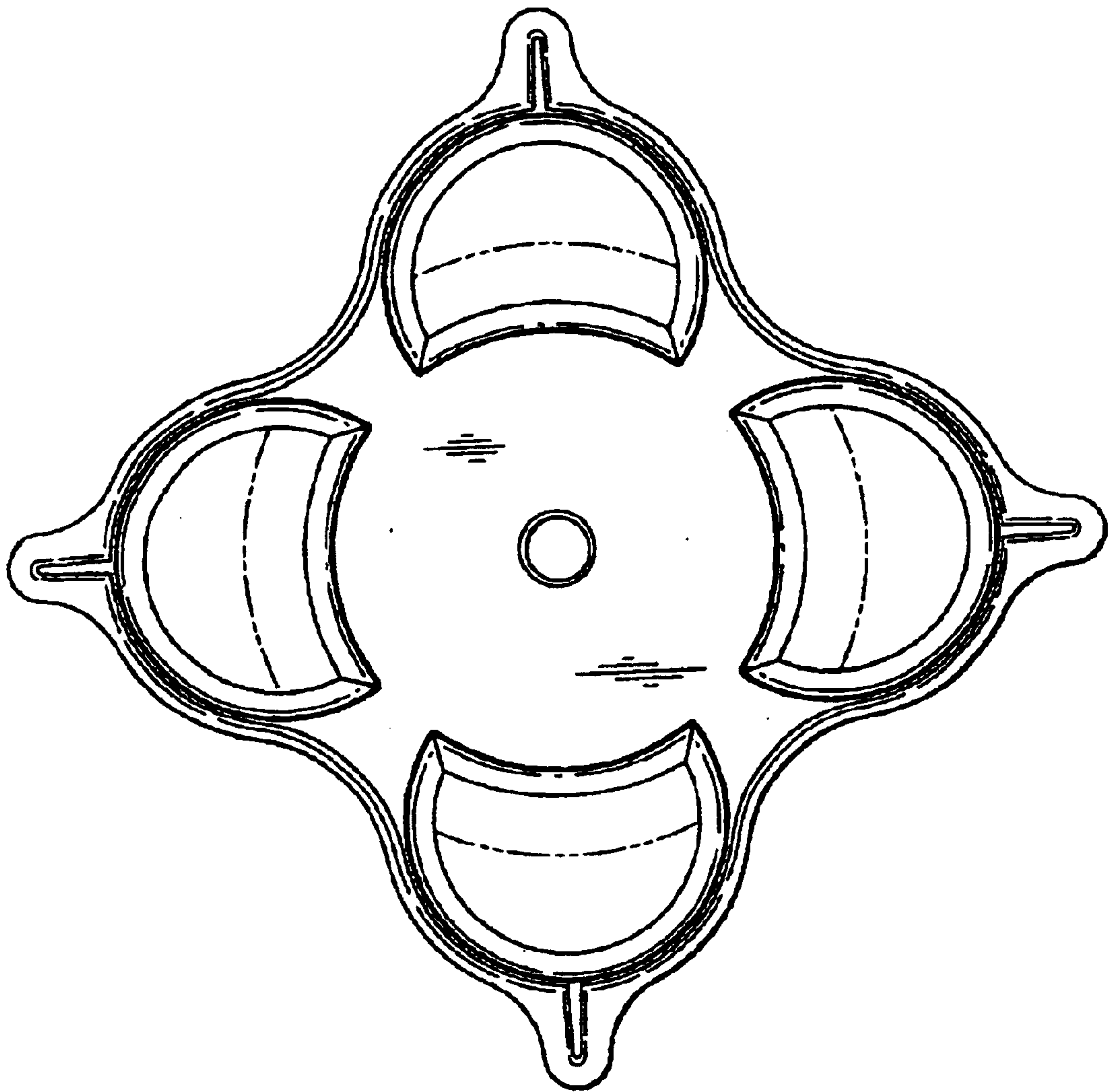


FIG. 2

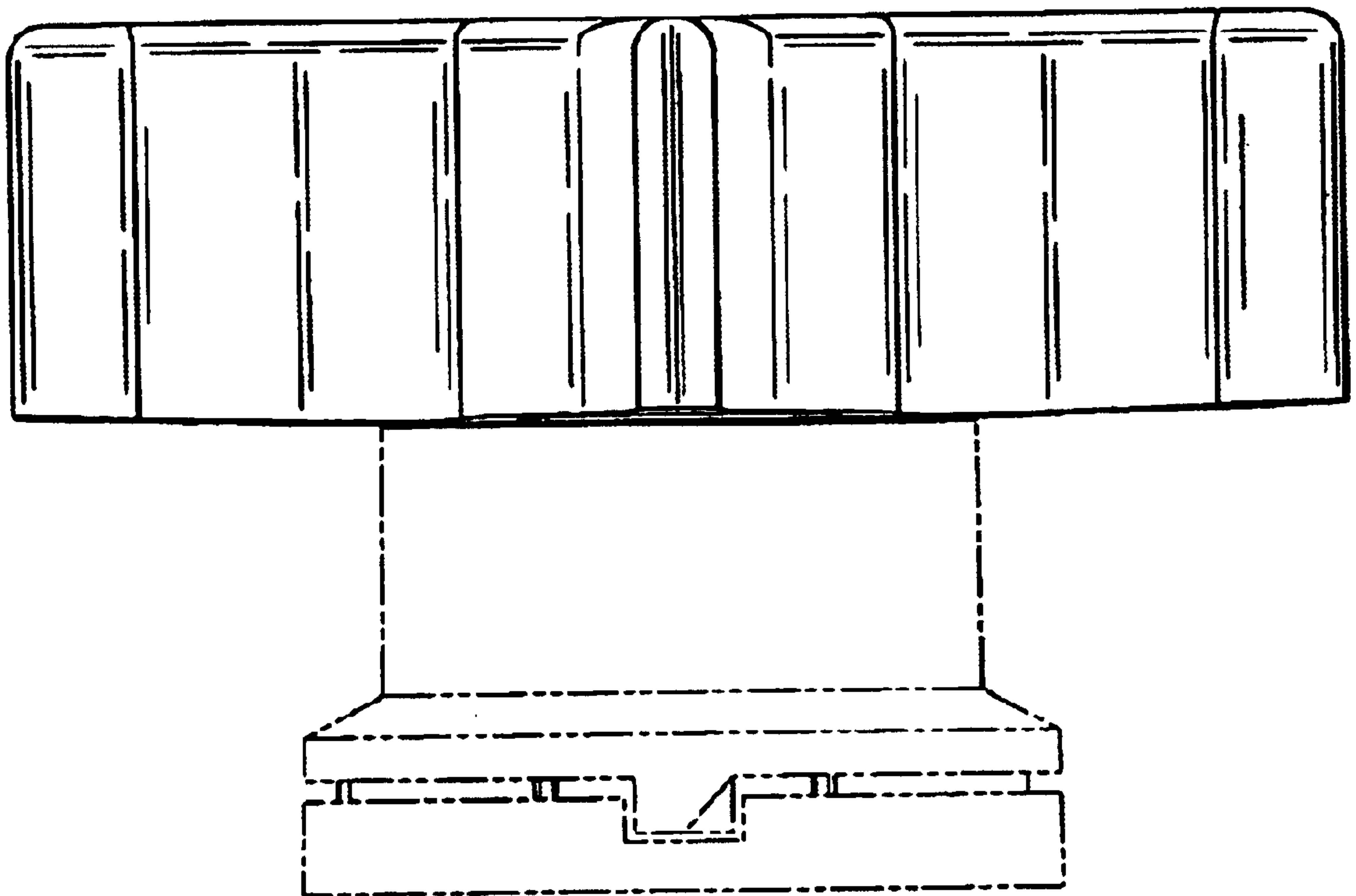


FIG. 3