



US00D491062S

(12) **United States Design Patent**
Hoff

(10) **Patent No.:** **US D491,062 S**

(45) **Date of Patent:** **** Jun. 8, 2004**

(54) **THREADED PLUG FOR A CLOSURE ASSEMBLY**

(75) **Inventor:** **James A. Hoff**, Waterloo, IN (US)

(73) **Assignee:** **Rieke Corporation**, Auburn, IN (US)

(**) **Term:** **14 Years**

(21) **Appl. No.:** **29/185,203**

(22) **Filed:** **Jun. 24, 2003**

(51) **LOC (7) Cl.** **09-07**

(52) **U.S. Cl.** **D9/435; D9/439; D9/443; D9/452**

(58) **Field of Search** **D9/435, 439, 443, D9/452, 447; 220/288, 465, 304**

(56) **References Cited**

U.S. PATENT DOCUMENTS

D30,780 S	*	5/1899	Burdick	D9/447
D136,002 S	*	7/1943	Mas	D9/439
D136,659 S	*	11/1943	Janning et al.	D9/439
2,459,668 A		1/1949	Melichar	285/55
D197,922 S	*	4/1964	Senoff	D9/439
3,255,916 A		6/1966	Rice	220/39
3,380,618 A		4/1968	Phillips	220/39
3,893,487 A		7/1975	Engelking	138/89
3,905,091 A		9/1975	LaRocque	29/460
4,105,135 A		8/1978	Bradshaw et al.	220/288
4,117,949 A		10/1978	Dwinell	220/304
4,164,304 A		8/1979	Roberson	220/465
4,711,365 A		12/1987	Fomby	220/288
4,905,862 A		3/1990	Dwinell et al.	220/303
5,680,953 A		10/1997	Baughman	220/288
5,862,936 A		1/1999	Johanson	220/304
6,065,627 A		5/2000	Johanson	220/304

OTHER PUBLICATIONS

Printout from www.eatel.net, "Coastal Containers Closing Directions", Coastal Containers, Inc., Baton Rouge, LA, pp. 1-6.

Printout from www.con-techinternational.com, "Products—Drum Closures", Con-Tech International, Inc., New Orleans, LA, pp. 1-7.

"ViseGrip® Flanges", Rieke Corporation, Auburn, IN, 1991.

* cited by examiner

Primary Examiner—Louis S. Zarfes

Assistant Examiner—Gregory Andoll

(74) *Attorney, Agent, or Firm*—Woodard, Emhardt, Moriarty, McNett & Henry LLP

(57) **CLAIM**

I claim the ornamental design for threaded plug for a closure assembly, as shown and described.

DESCRIPTION

FIG. 1 is a perspective view of a threaded plug for a closure assembly showing my new design;

FIG. 2 is a top plan view thereof;

FIG. 3 is a left side elevational view thereof, the right side elevational view being the same;

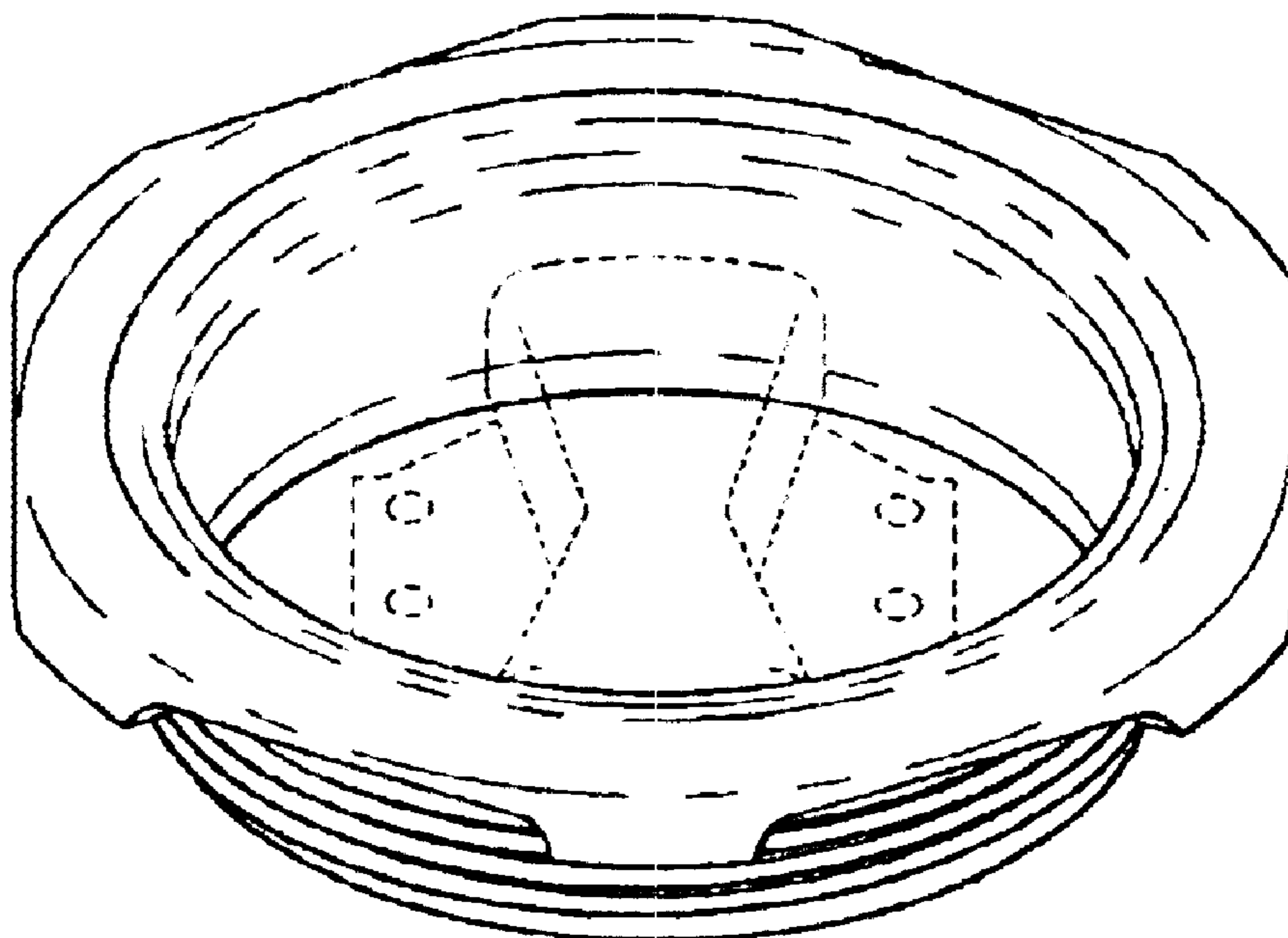
FIG. 4 is a front elevational view thereof, the rear elevational view being the same;

FIG. 5 is a sectional view taken along line 5—5 of FIG. 2; and,

FIG. 6 is a bottom plan view thereof.

The broken lines in FIGS. 1, 2 and 5 depict a grip member used to facilitate installation and removal of the plug and do not constitute any part of the claimed design.

1 Claim, 3 Drawing Sheets



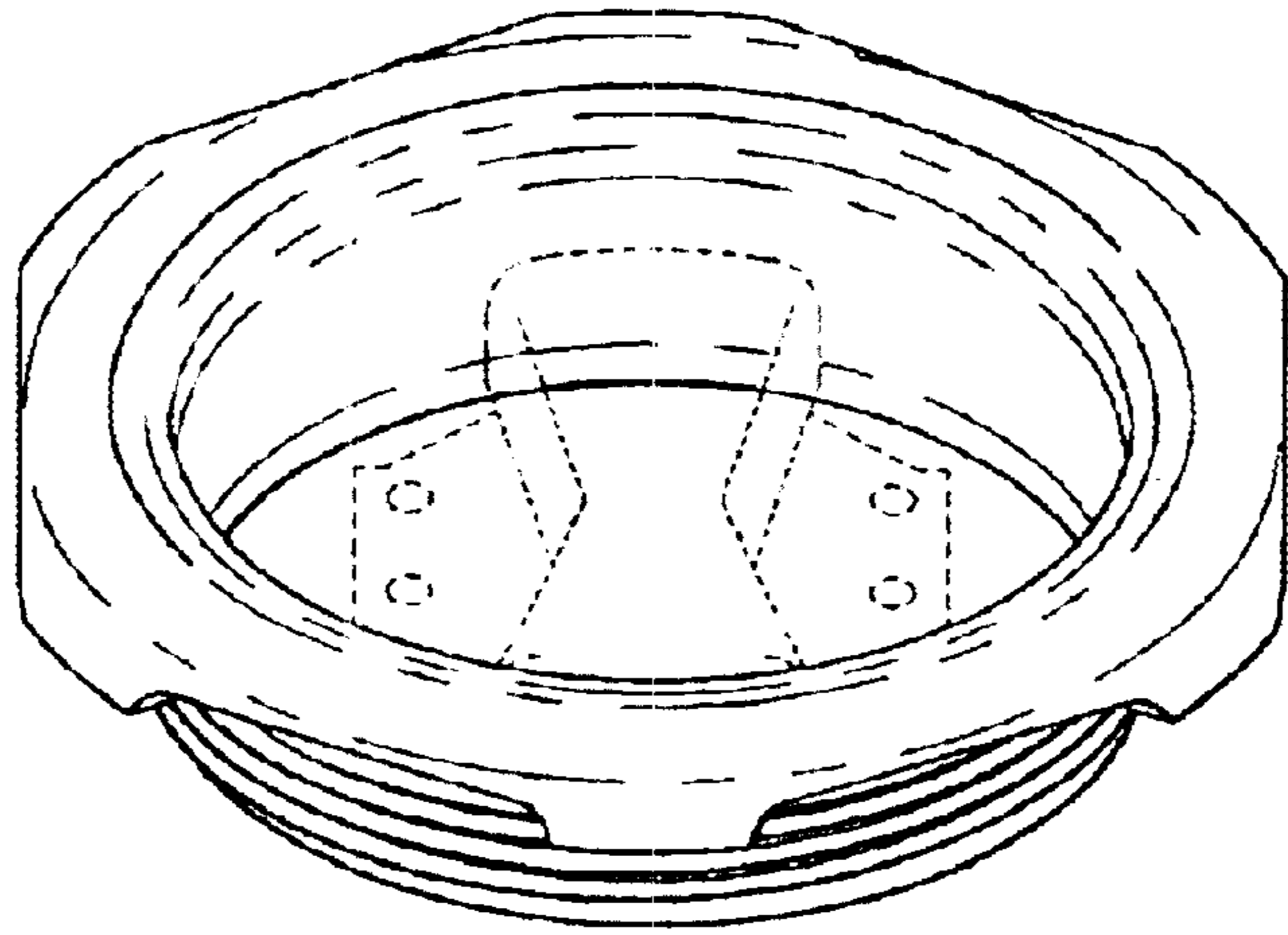


Fig. 1

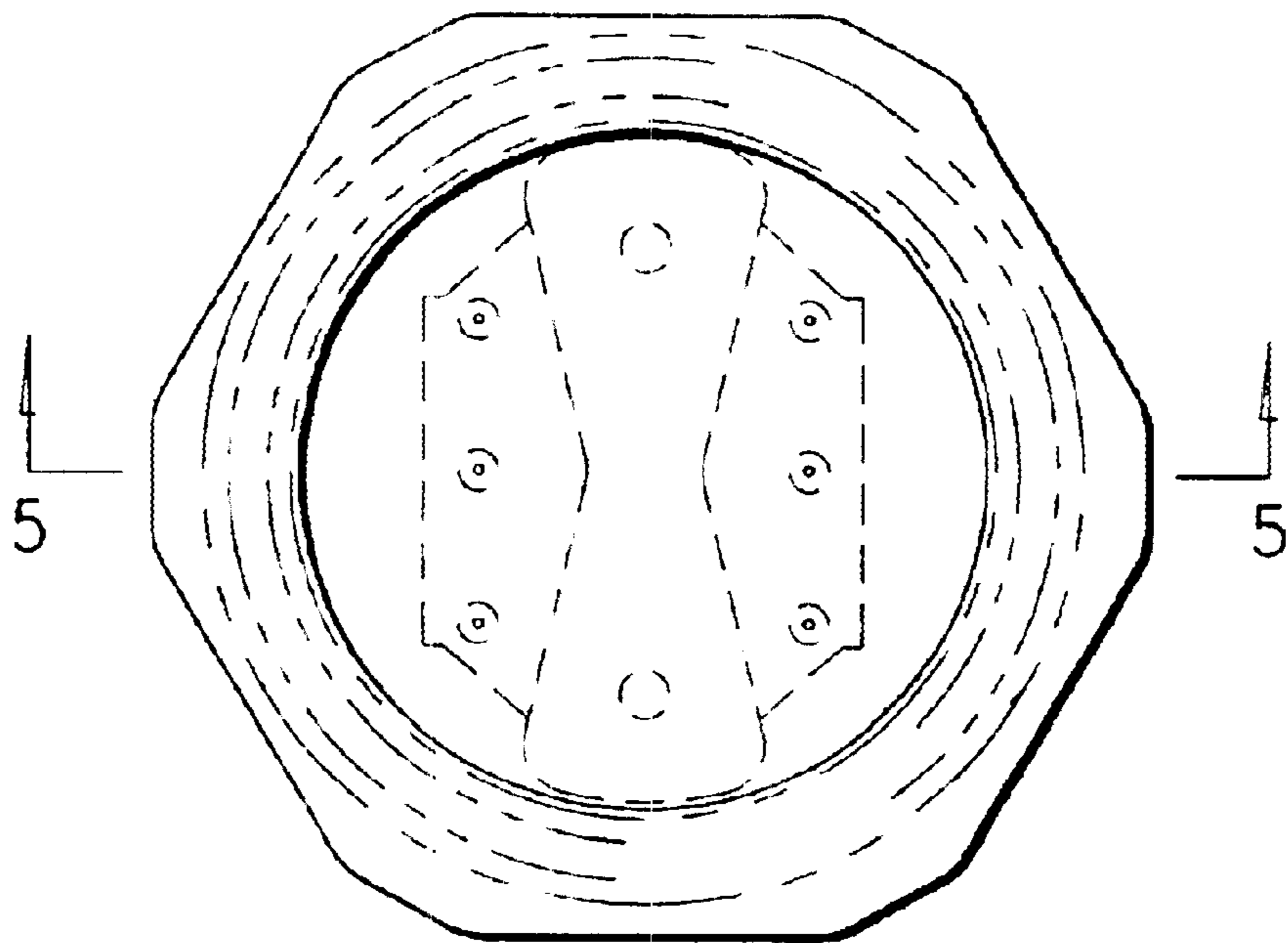


Fig. 2

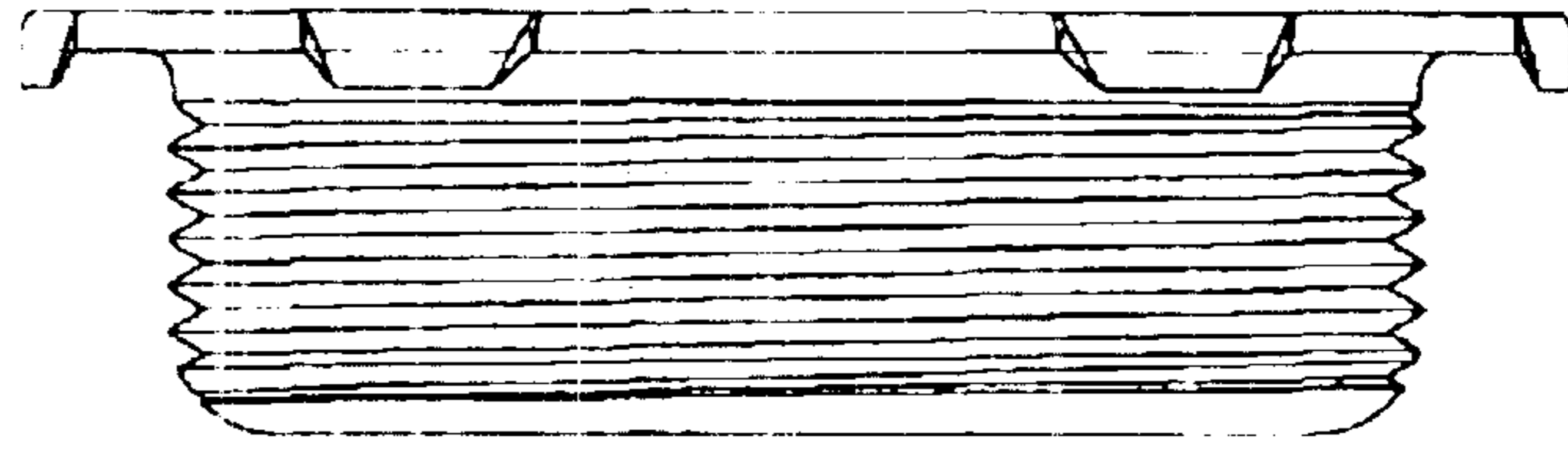


Fig. 3

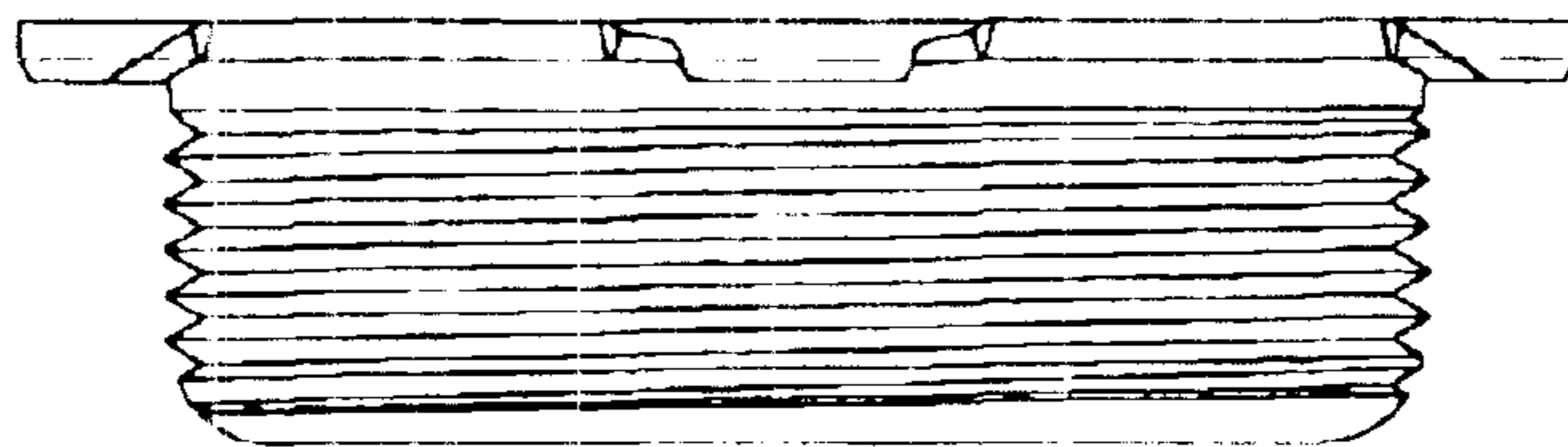


Fig. 4

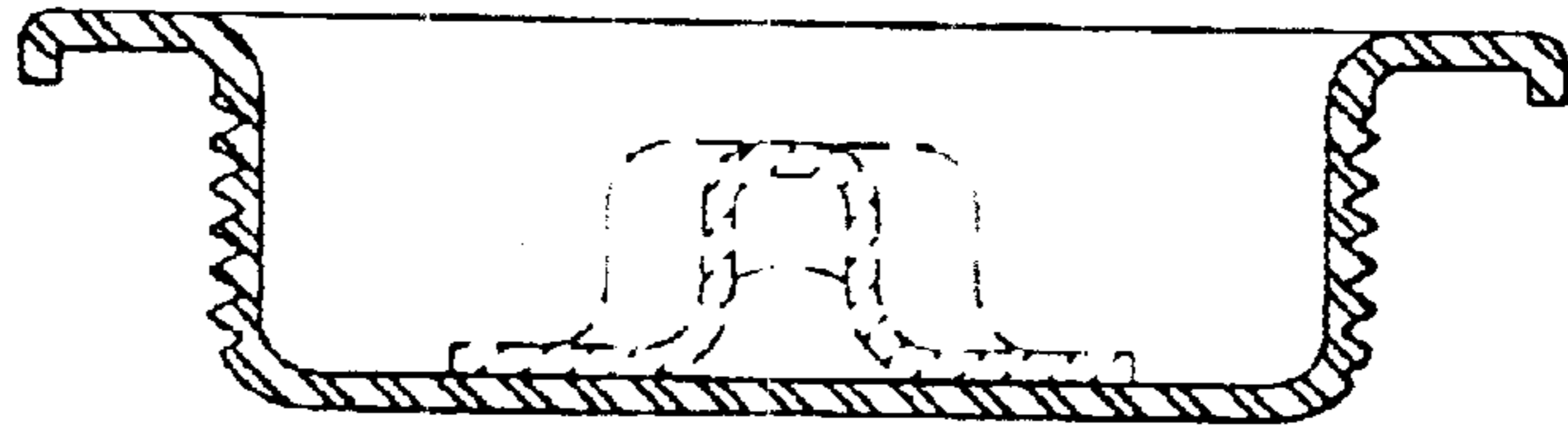


Fig. 5

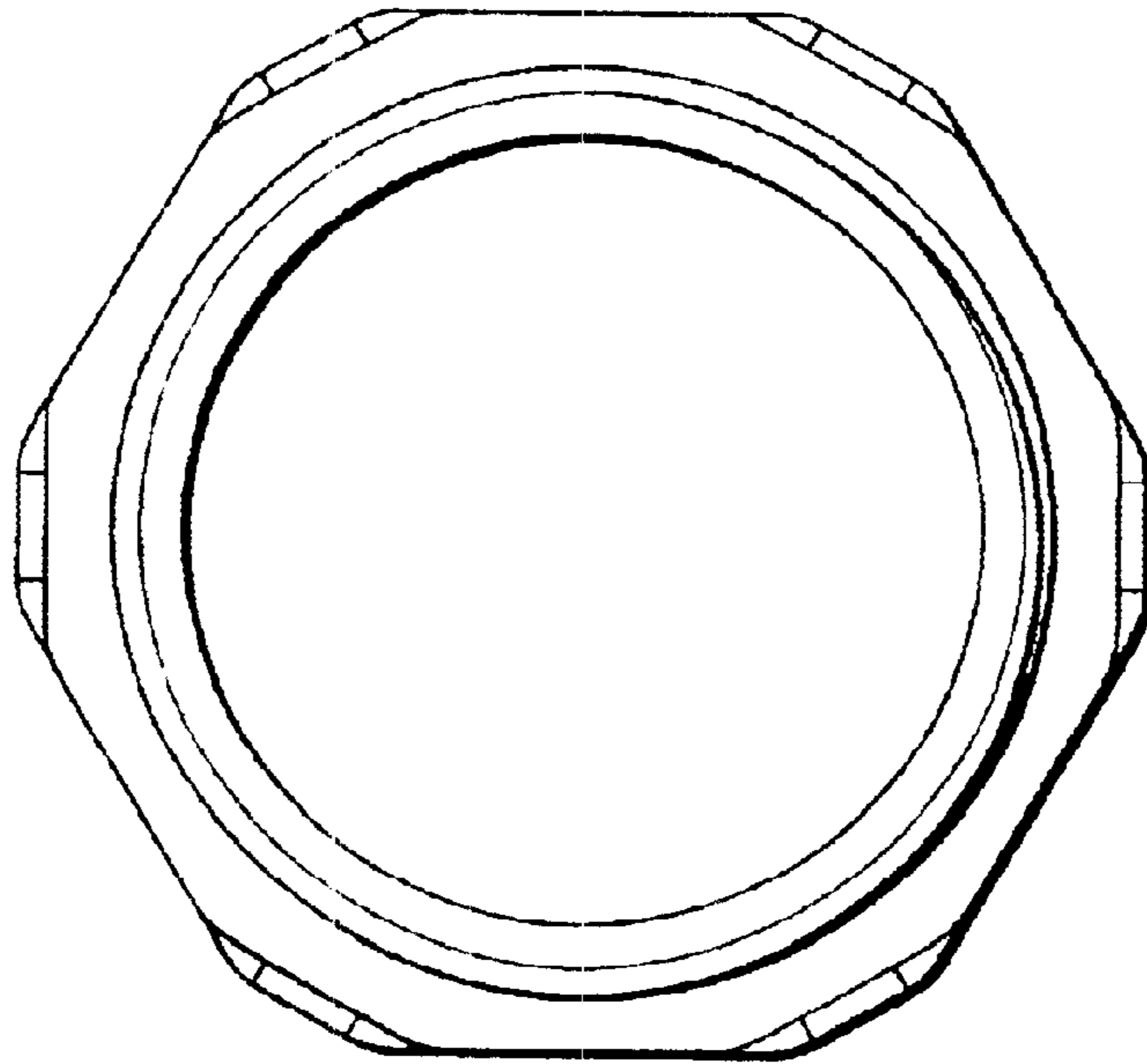


Fig. 6