



US00D491061S

(12) **United States Design Patent**  
**Bouroullec et al.**

(10) **Patent No.:** **US D491,061 S**

(45) **Date of Patent:** **\*\* Jun. 8, 2004**

(54) **POT**

(75) Inventors: **Ronan Bouroullec**, St. Denis (FR);  
**Erwin Bouroullec**, Saint Denis (FR)

(73) Assignee: **Beaute Prestige International**, Paris (FR)

(\*\*) Term: **14 Years**

(21) Appl. No.: **29/174,805**

(22) Filed: **Jan. 27, 2003**

(51) **LOC (7) Cl.** ..... **09-03**

(52) **U.S. Cl.** ..... **D9/431**

(58) **Field of Search** ..... D9/414, 418, 430-431,  
D9/432, 499; 206/216, 320, 775, 557, 562,  
563, 823, 822, 527; 220/890, 581; D11/155

(56) **References Cited**

**U.S. PATENT DOCUMENTS**

1,637,100 A \* 7/1927 Bothe ..... 229/406

1,877,213 A \* 9/1932 Willauer ..... 229/104  
D283,400 S \* 4/1986 Forbes, Jr. .... D9/416  
D284,943 S \* 8/1986 Webinger ..... D9/416

\* cited by examiner

*Primary Examiner*—Philip S. Hyder

*Assistant Examiner*—Daniel Bui

(74) *Attorney, Agent, or Firm*—Dennison, Schultz,  
Dougherty & MacDonald

(57) **CLAIM**

The ornamental design for a pot, as shown.

**DESCRIPTION**

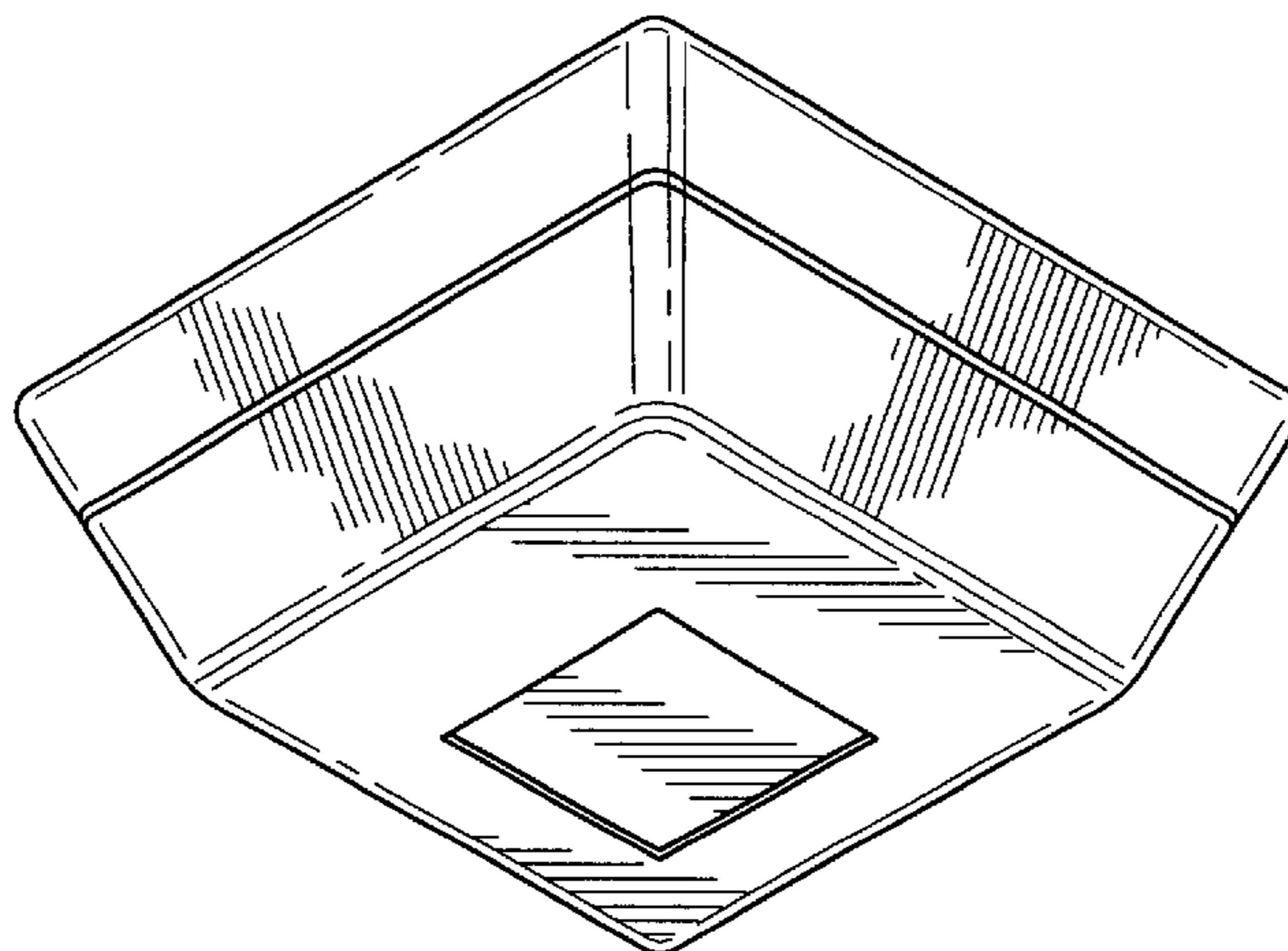
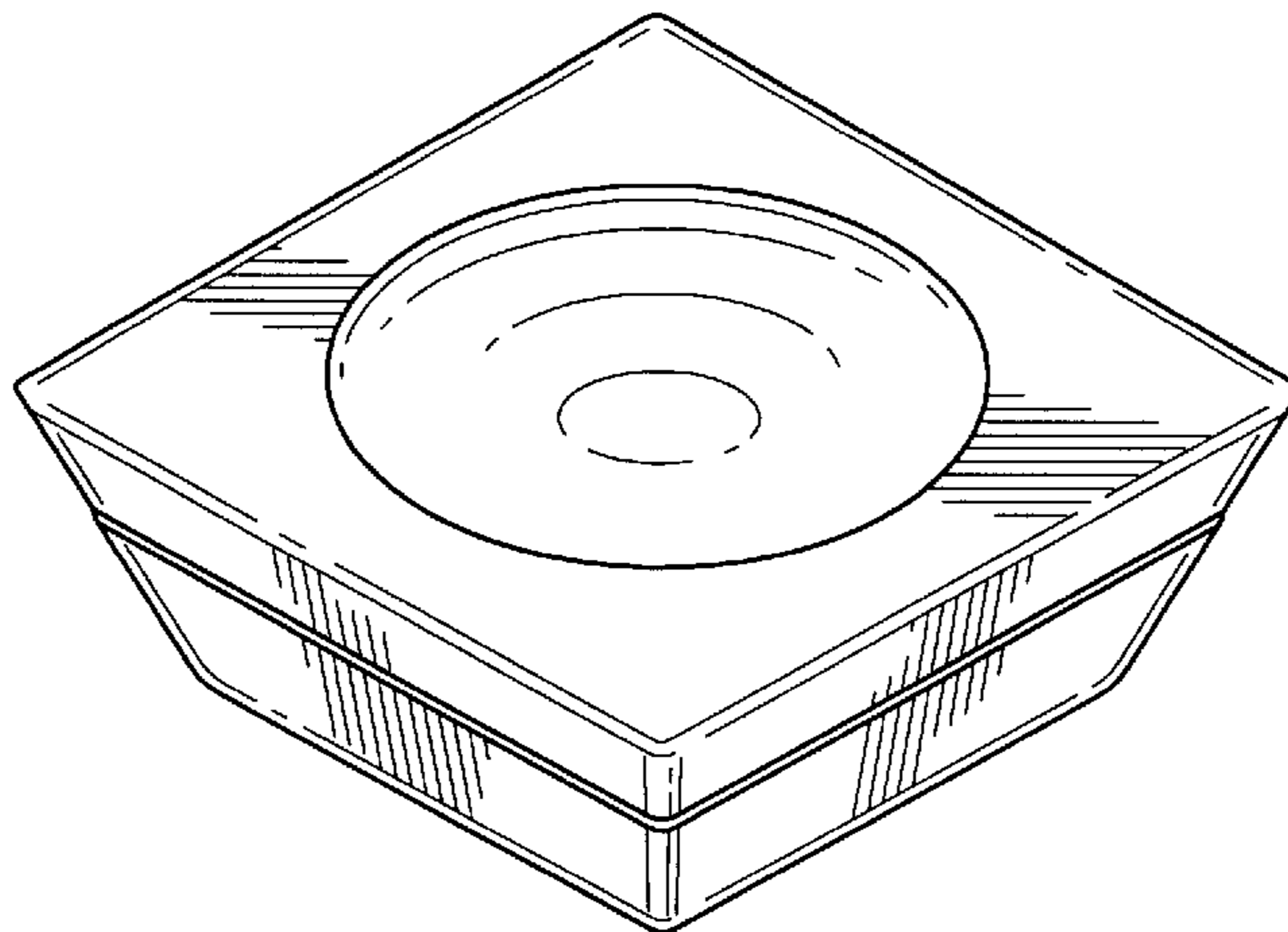
FIG. 1 is top plan view of the pot showing our new design;  
FIG. 2 is a side elevation thereof;

FIG. 3 is a bottom plan view thereof;

FIG. 4 is a top perspective view thereof on a reduced scale;  
and,

FIG. 5 is a bottom perspective view of our design on a  
reduced scale.

**1 Claim, 2 Drawing Sheets**



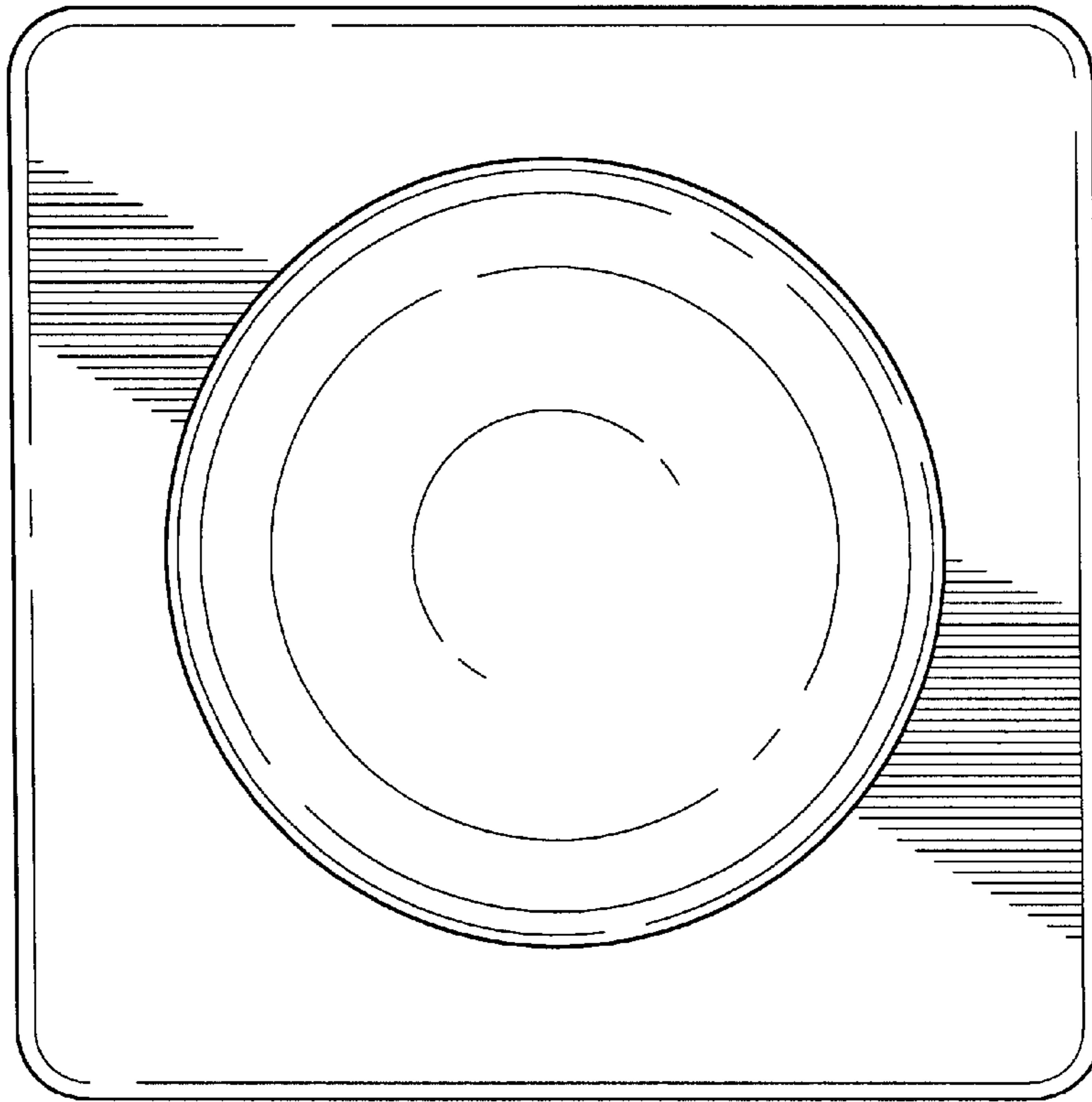


FIG. 1

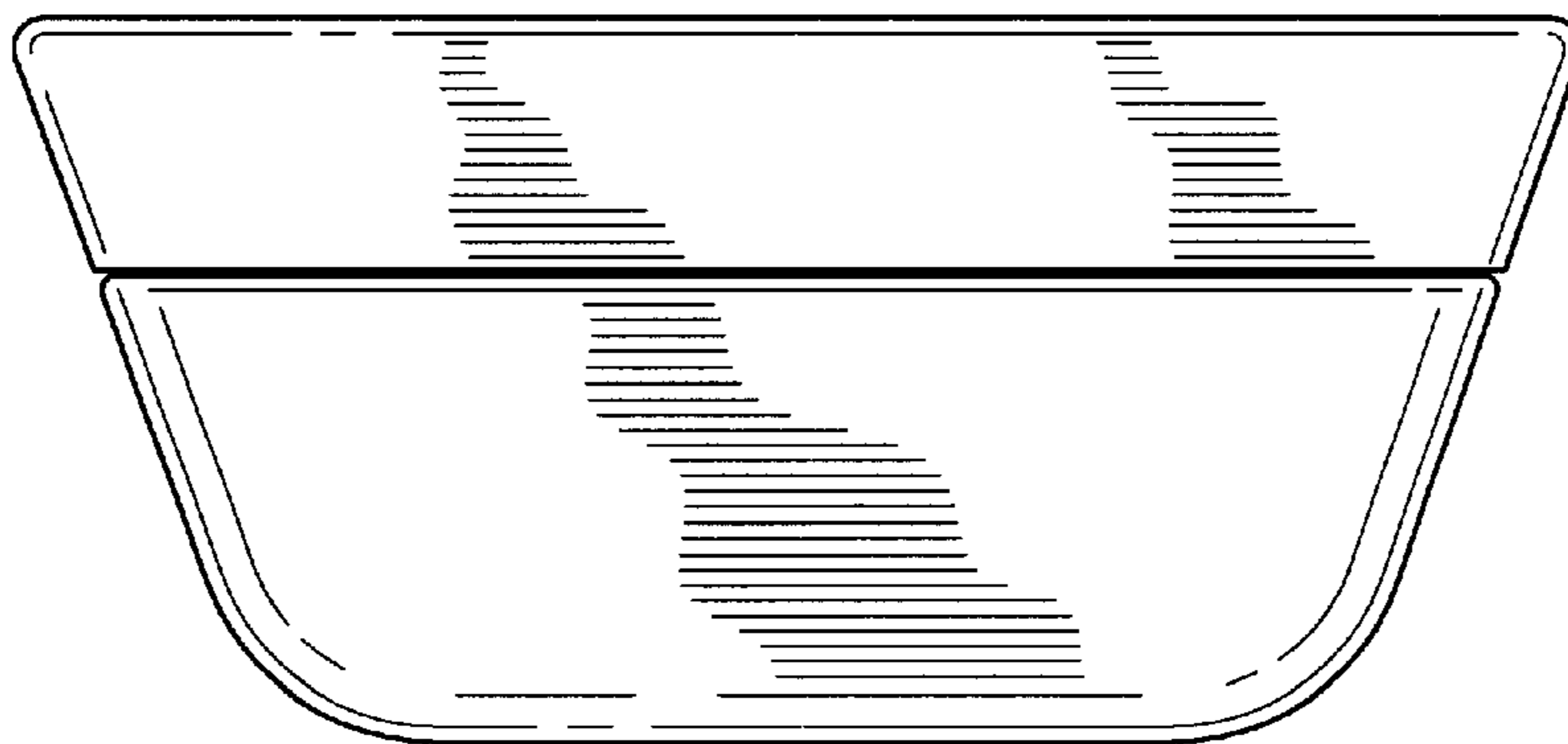


FIG. 2

FIG. 3

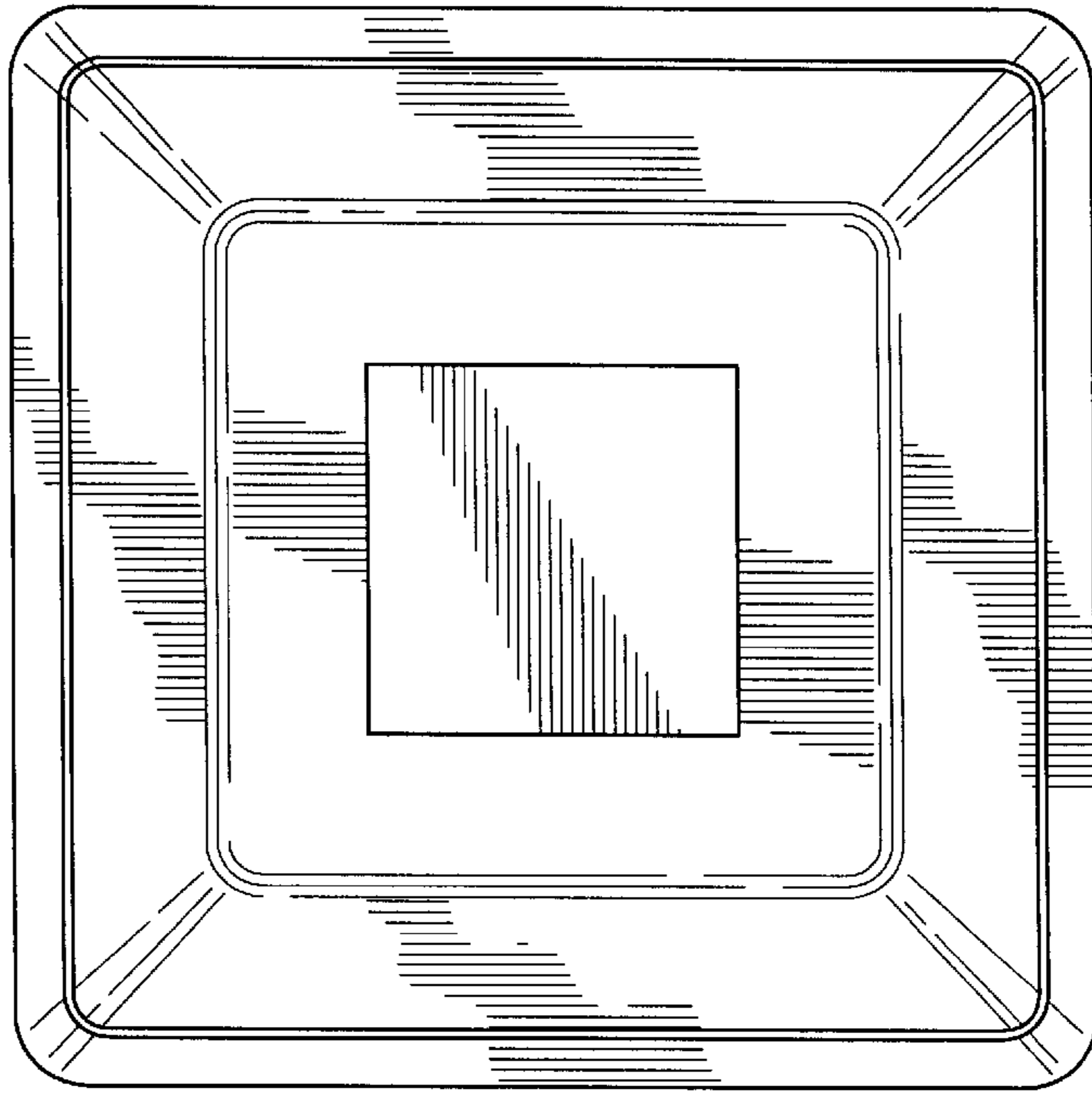


FIG. 4

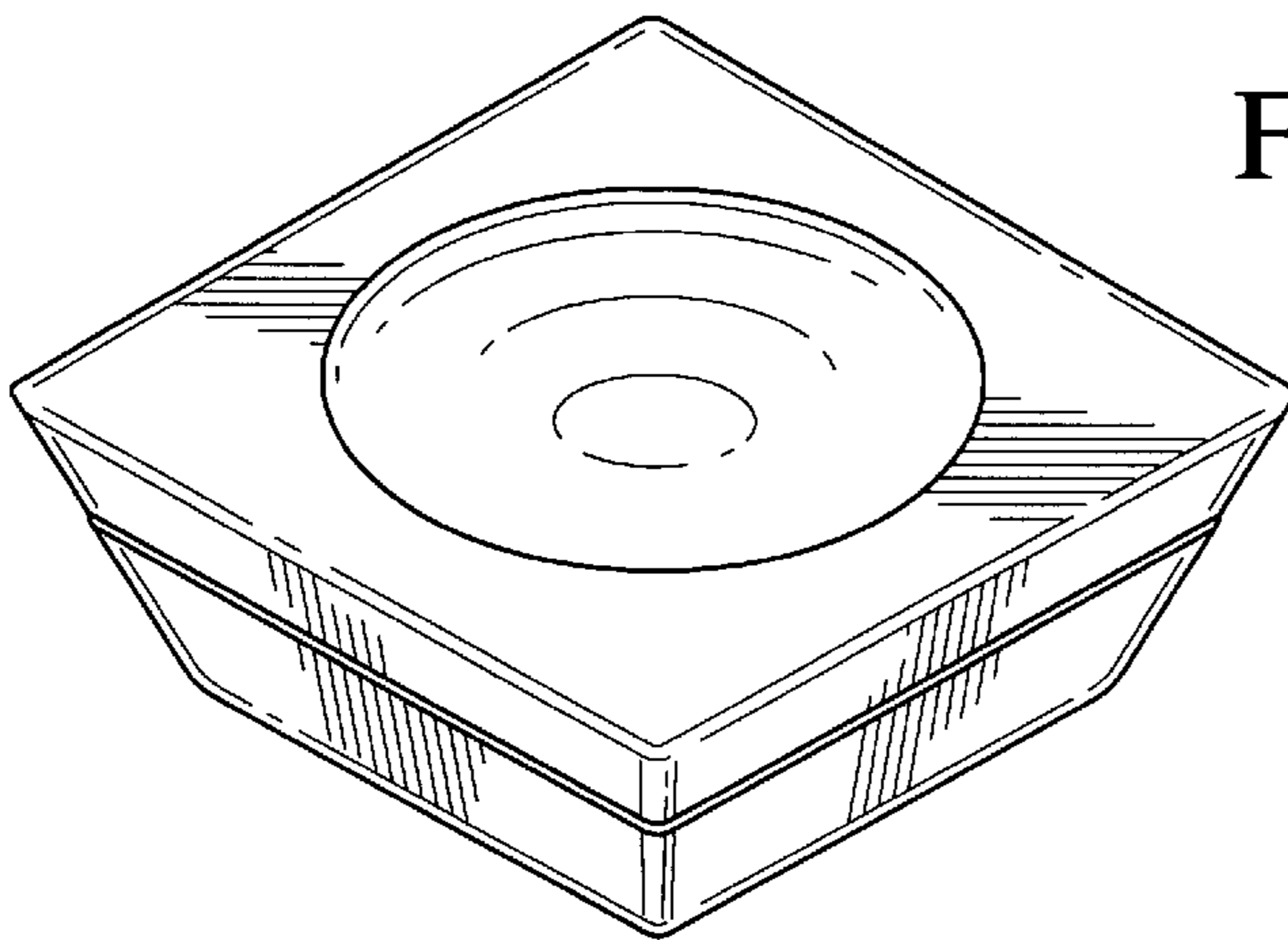


FIG. 5

