



US00D491059S

(12) **United States Design Patent**  
**Kim**

(10) **Patent No.:** **US D491,059 S**  
(45) **Date of Patent:** **\*\* Jun. 8, 2004**

(54) **TISSUE BOX**

(76) Inventor: **Sunyong Kim**, 3817 Imperial Garden Dr., #7, Saint Ann, MO (US) 63074

(\*\*) Term: **14 Years**

(21) Appl. No.: **29/166,941**

(22) Filed: **Sep. 6, 2002**

(51) **LOC (7) Cl.** ..... **09-03**

(52) **U.S. Cl.** ..... **D9/416**

(58) **Field of Search** ..... D9/416, 417, 414, D9/418, 432, 337, 422; D6/522, 515; 206/216, 581, 457, 459.1, 765, 756, 773-783, 233, 494; 229/122, 122.1, 238, 242, 125.15, 925, 162; 221/45, 52, 56, 33

3,414,157 A	12/1968	Wright	
3,593,908 A	* 7/1971	Desmond	229/122
4,066,167 A	1/1978	Hanna et al.	
4,131,195 A	12/1978	Worrell, Sr.	
4,513,862 A	* 4/1985	Mallow	206/233
4,879,442 A	11/1989	Giovine	
4,919,302 A	4/1990	McPherson	
4,997,105 A	* 3/1991	Fischer	206/278
6,095,326 A	* 8/2000	Madhat et al.	206/233
D430,489 S	* 9/2000	Bowers	D9/416
6,112,979 A	* 9/2000	Deger	229/122
D445,332 S	* 7/2001	Breiding et al.	D9/416
D447,685 S	* 9/2001	Chagnon et al.	D9/416
D459,221 S	* 6/2002	Springer et al.	D9/416

\* cited by examiner

*Primary Examiner*—Prabhakar Deshmukh  
(74) *Attorney, Agent, or Firm*—Polster Lieder Woodruff & Lucchesi, L.C.

(56) **References Cited**

**U.S. PATENT DOCUMENTS**

1,764,673 A	6/1930	Babson
2,841,275 A	7/1958	Schwimmer et al.
2,915,218 A	12/1959	Rosenman et al.
3,001,645 A	9/1961	Hernberg
3,026,999 A	3/1962	Constantino
3,072,245 A	1/1963	Faltin
3,089,597 A	5/1963	Kaplan
3,095,087 A	6/1963	Yates
3,145,840 A	8/1964	Wright
3,221,928 A	12/1965	Horn
3,245,580 A	4/1966	Campanella
3,270,938 A	9/1966	Rhinegold
3,331,498 A	7/1967	Davies
3,338,464 A	8/1967	Callihan et al.
3,372,837 A	3/1968	Neumann

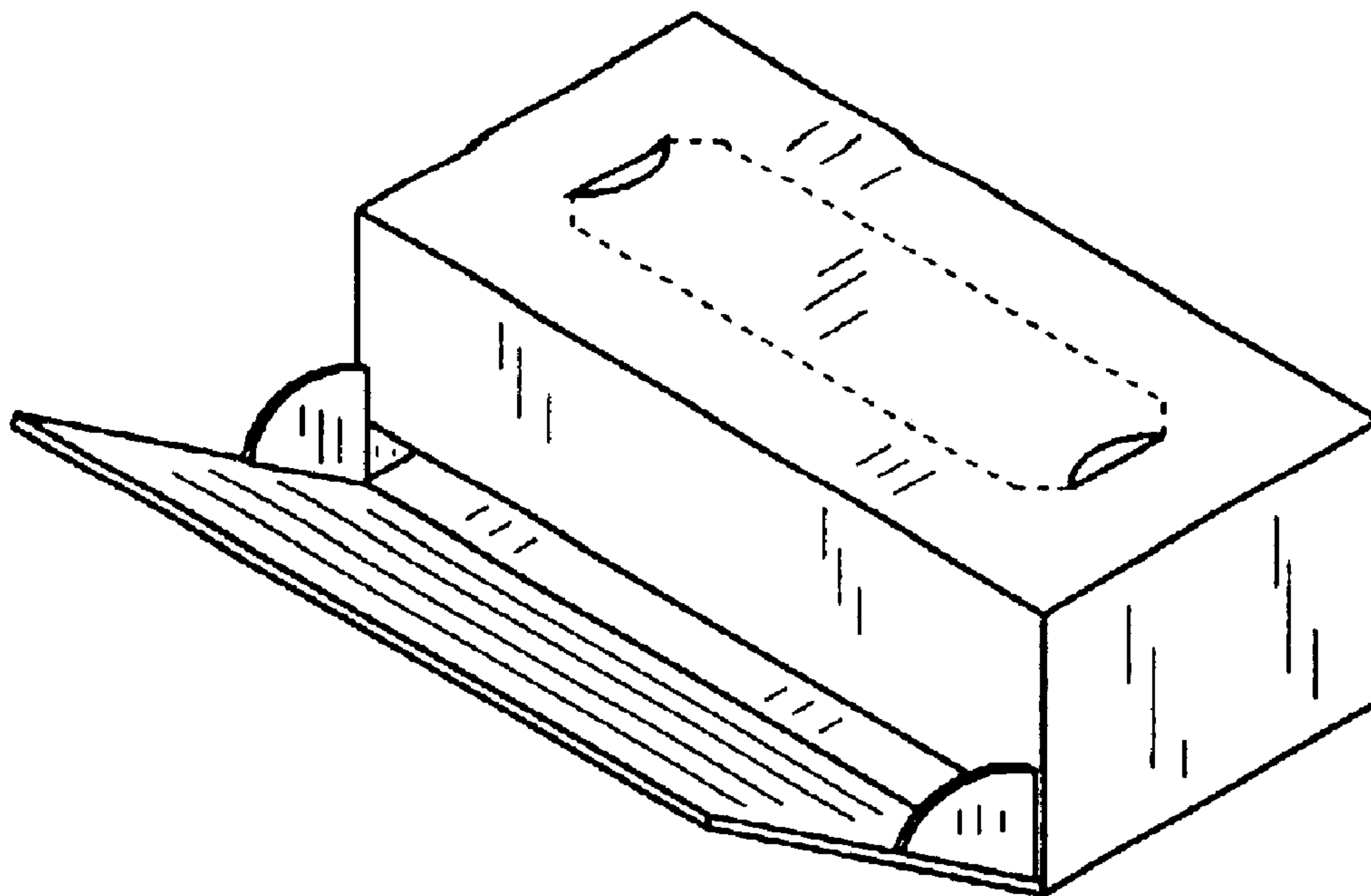
(57) **CLAIM**

The ornamental design for the tissue box, as shown and described.

**DESCRIPTION**

FIG. 1 is a view in perspective showing my new design for a tissue box;  
FIG. 2 is a front elevational view thereof;  
FIG. 3 is a rear elevational view thereof;  
FIG. 4 is a top plan view thereof;  
FIG. 5 is a bottom plan view thereof;  
FIG. 6 is a side elevational view thereof; and,  
FIG. 7 is a side elevational view opposite to that shown in FIG. 6.

**1 Claim, 1 Drawing Sheet**



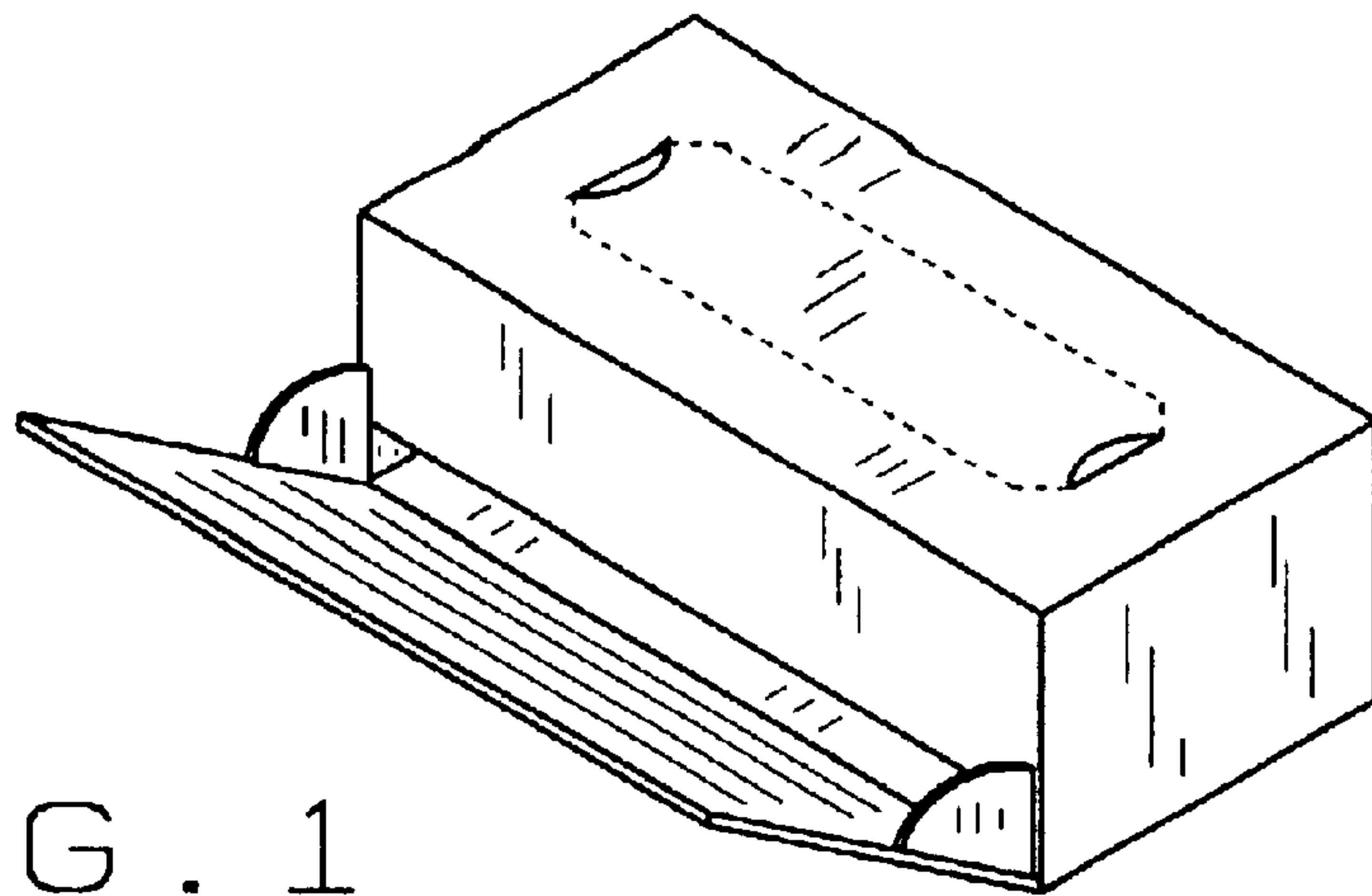


FIG. 1

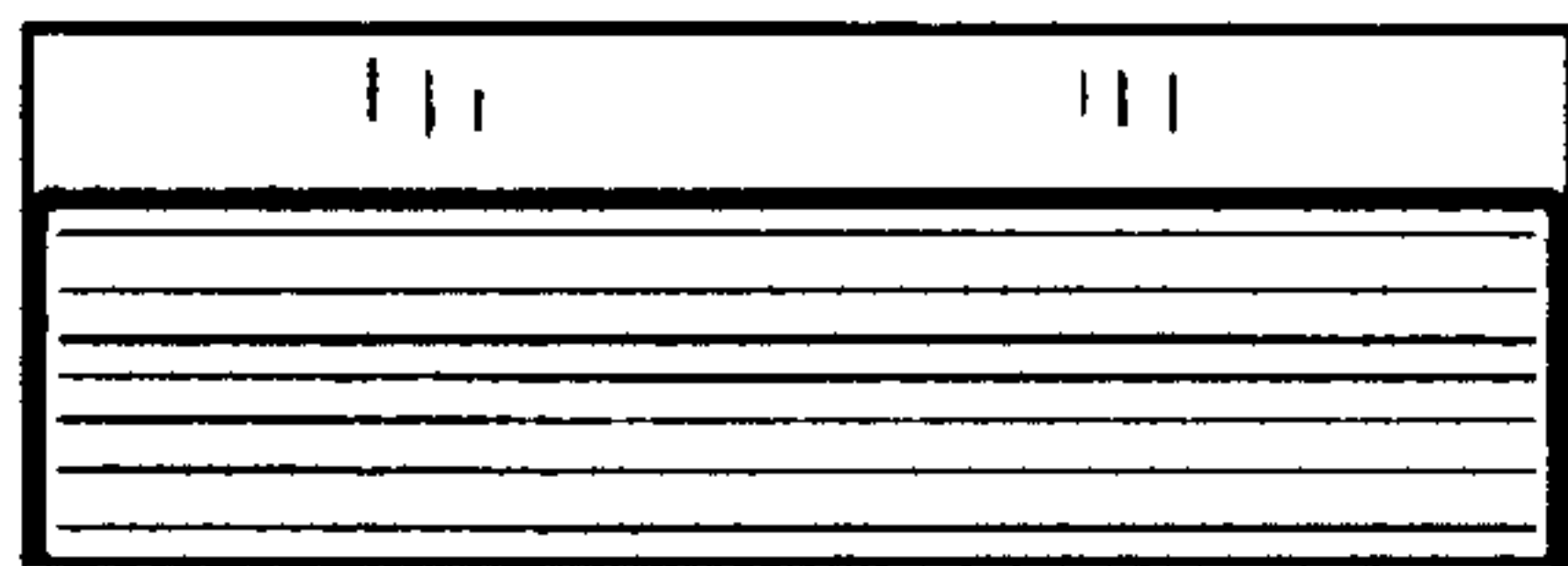


FIG. 2

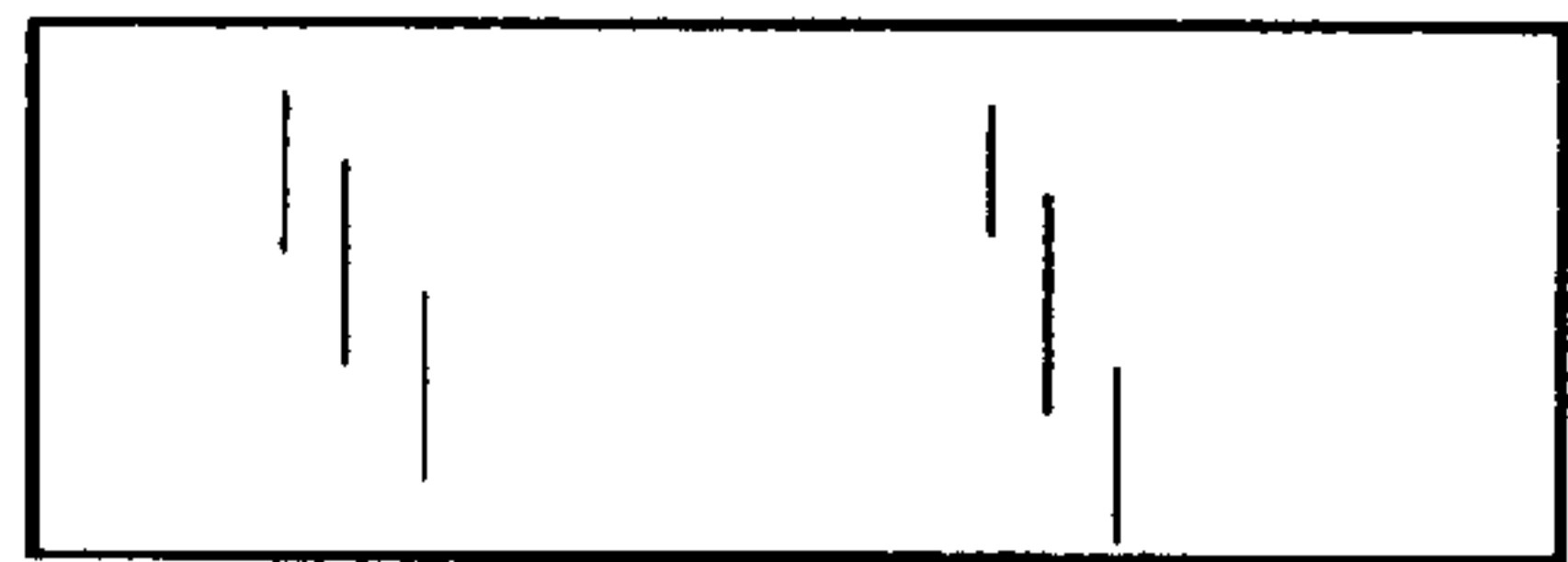


FIG. 3

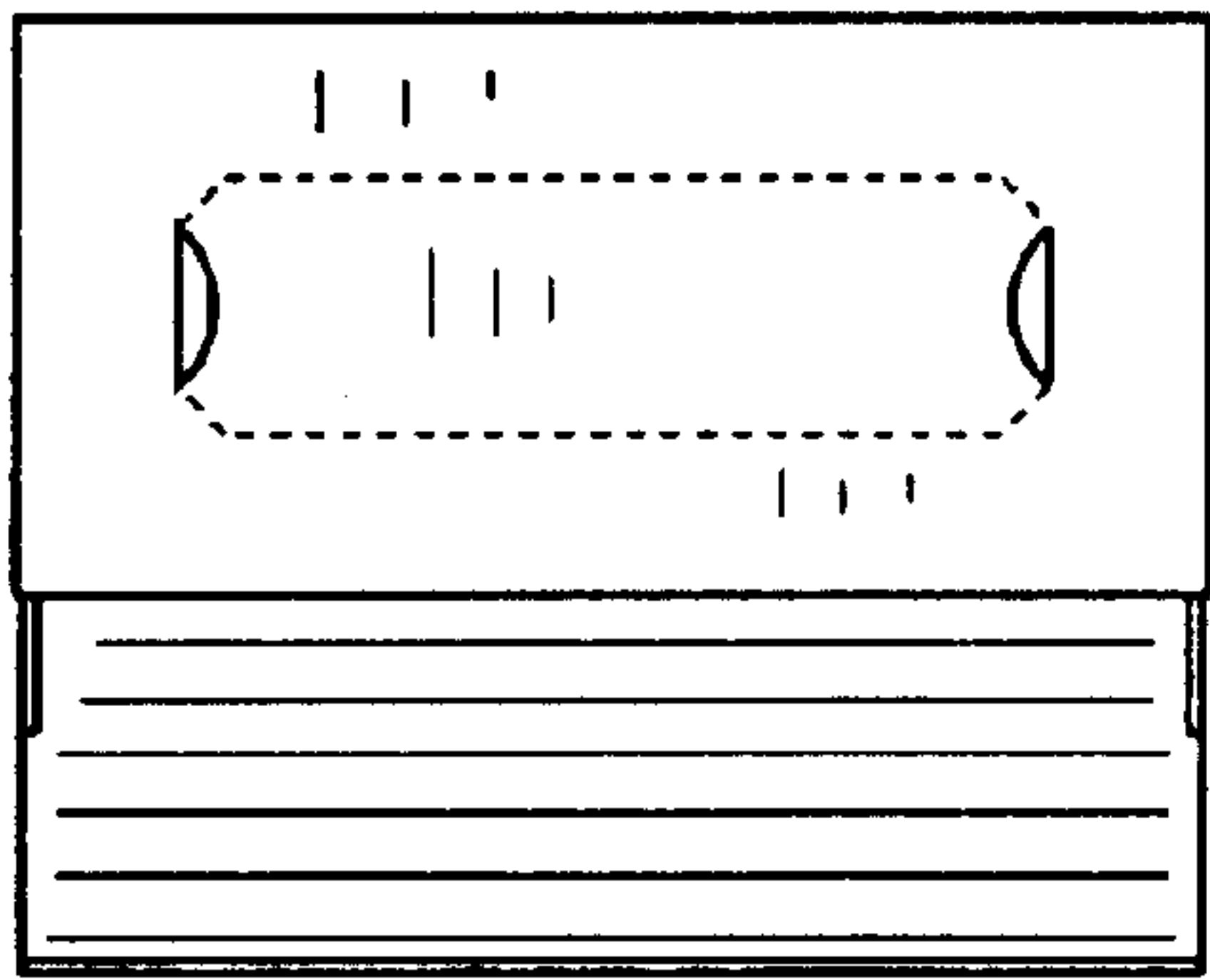


FIG. 4

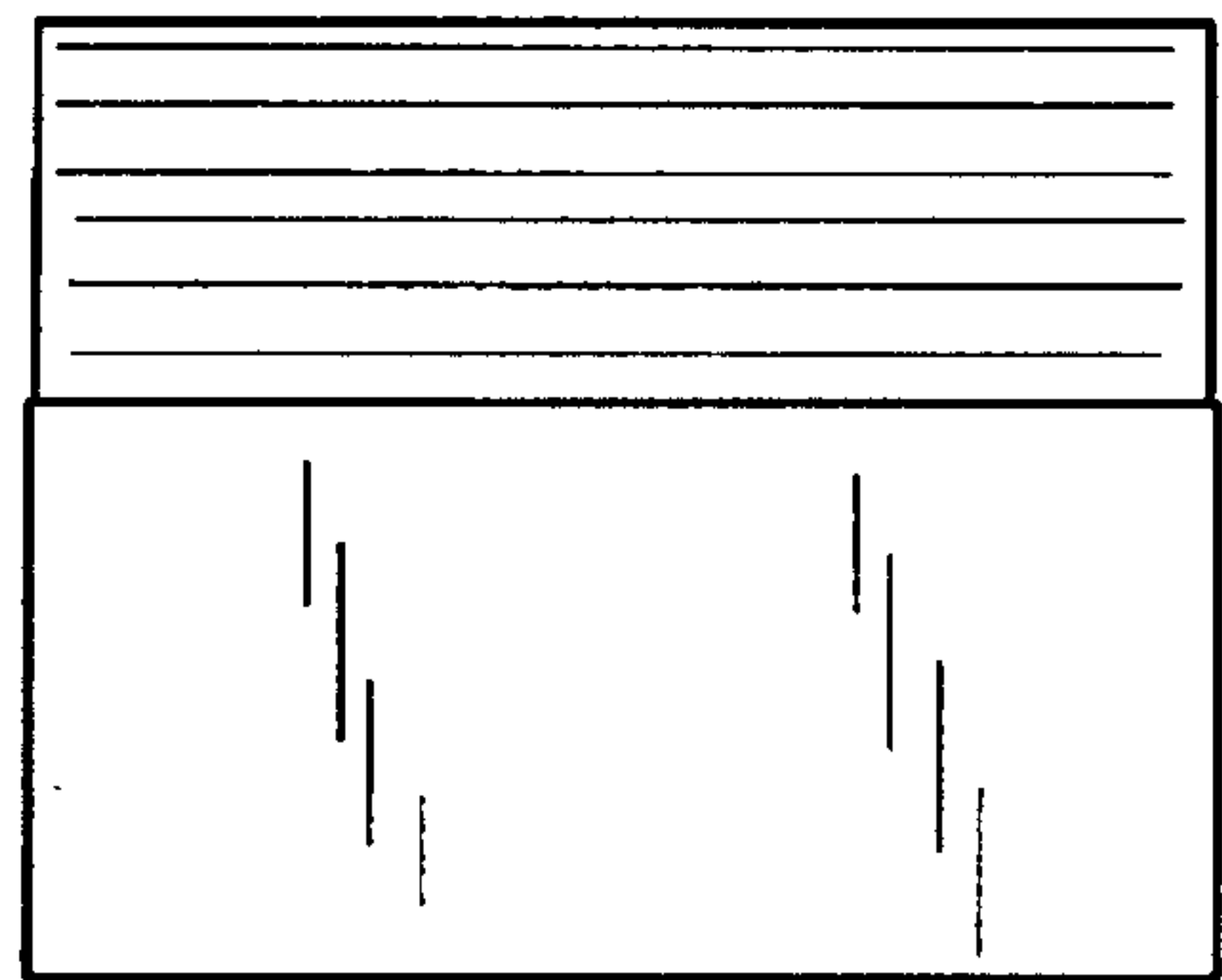


FIG. 5

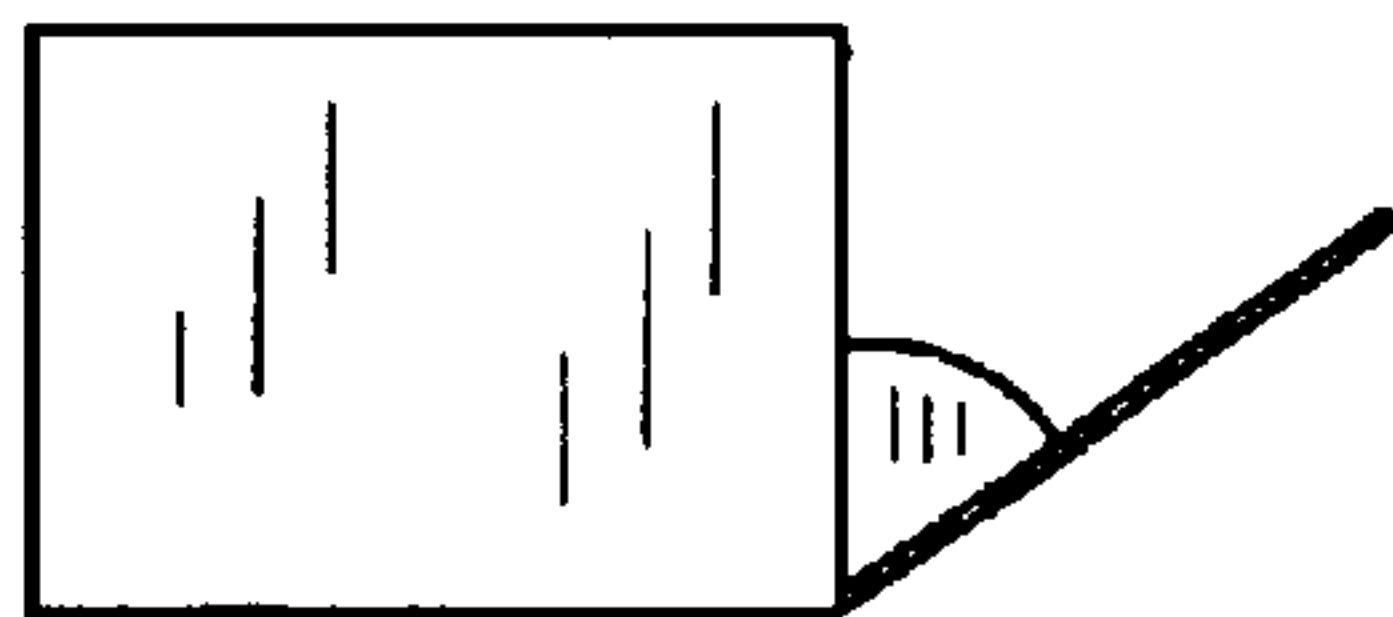


FIG. 6

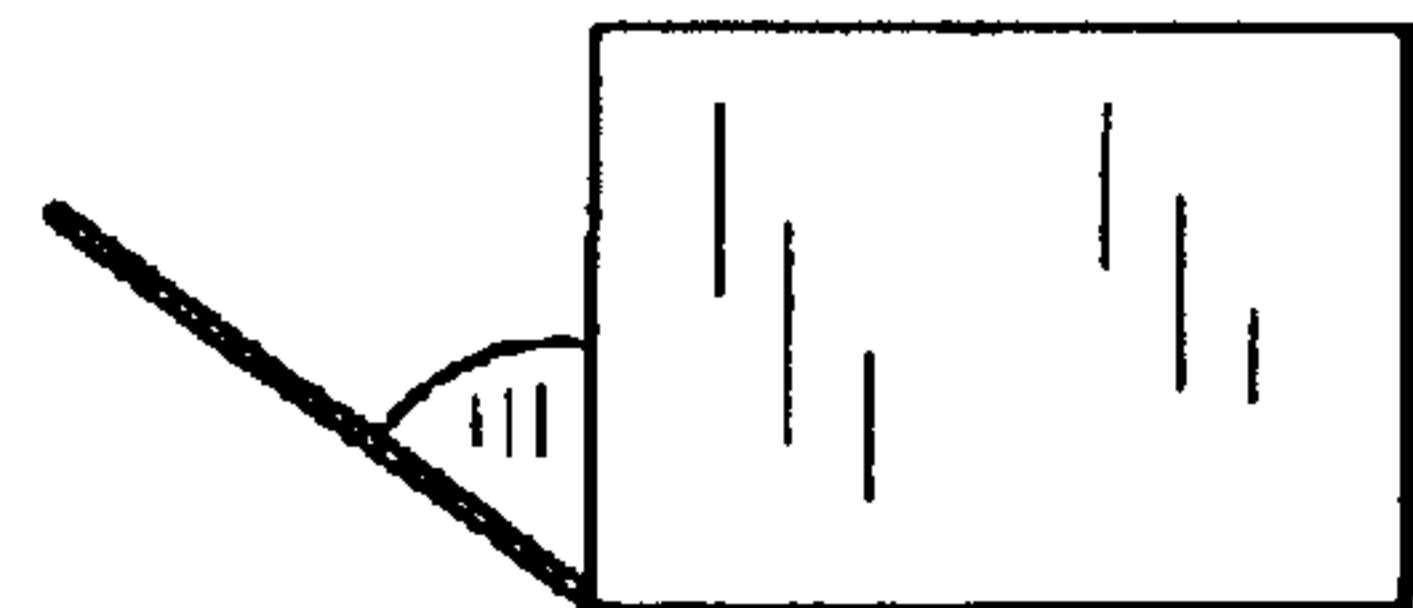


FIG. 7