



US00D491055S

(12) **United States Design Patent**
Chou

(10) **Patent No.:** **US D491,055 S**

(45) **Date of Patent:** **** Jun. 8, 2004**

(54) **CURTAIN FASTENER**

D337,257 S * 7/1993 Danieli D8/376

(76) Inventor: **Tser-Wen Chou**, 19464. Via Del
Caballo, Yorba Linda, CA (US) 92886

* cited by examiner

(**) Term: **14 Years**

Primary Examiner—Holly Baynham
(74) *Attorney, Agent, or Firm*—Birch, Stewart, Kolasch &
Birch, LLP

(21) Appl. No.: **29/182,086**

(57) **CLAIM**

(22) Filed: **May 21, 2003**

The ornamental design for “curtain fastener,” as shown and
described.

(51) **LOC (7) Cl.** **08-08**

(52) **U.S. Cl.** **D8/382; D8/377**

(58) **Field of Search** D8/376–377, 382;
160/330; 16/93 D; D25/119, 121–124

DESCRIPTION

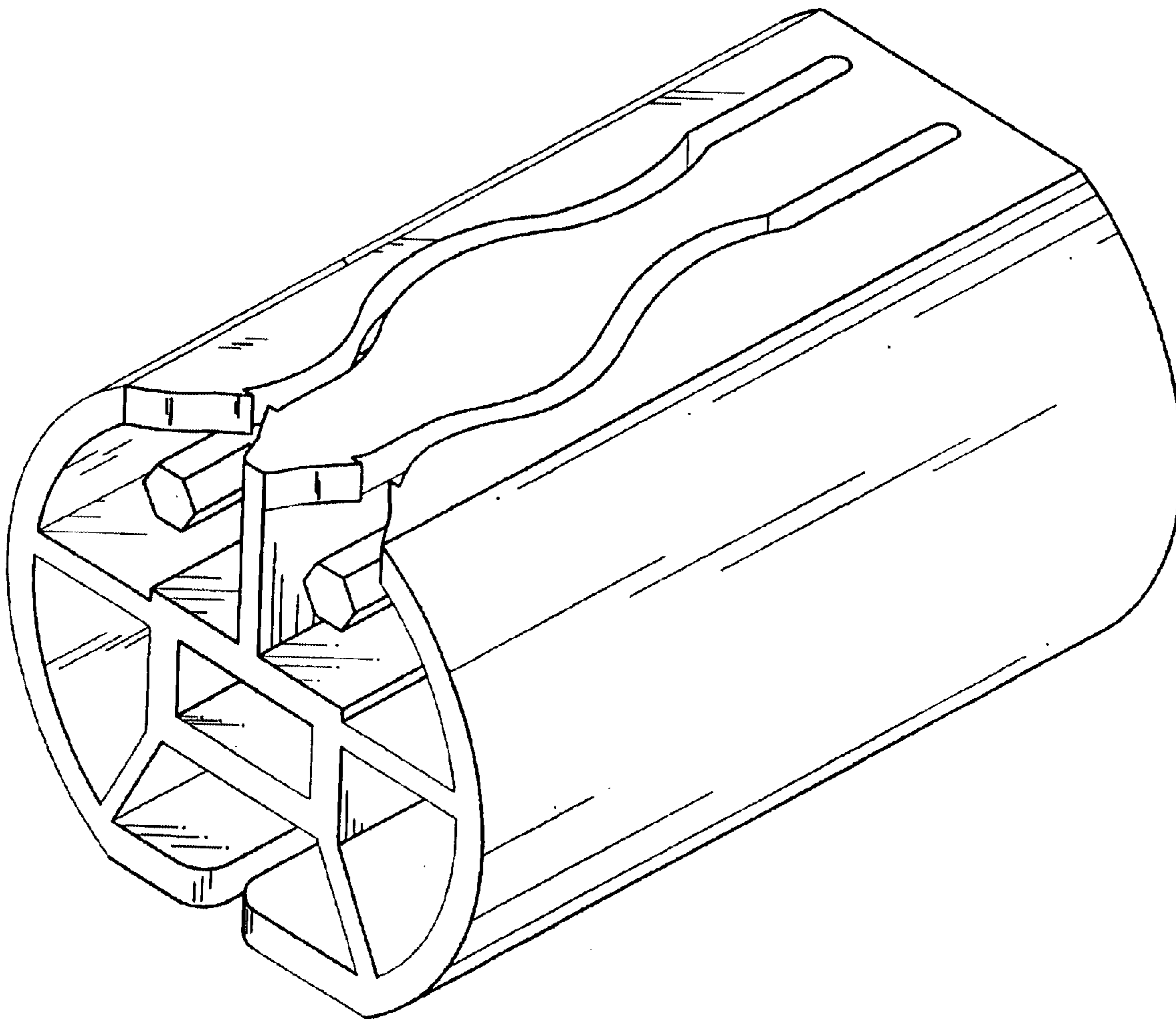
FIG. 1 is a perspective view of “curtain fastener” showing
my new design thereof;
FIG. 2 is a front side elevational view thereof;
FIG. 3 is a rear side elevational view thereof;
FIG. 4 is a left side elevational view thereof;
FIG. 5 is a right side elevational view thereof;
FIG. 6 is a top plan view thereof; and,
FIG. 7 is a bottom plan view thereof.

(56) **References Cited**

U.S. PATENT DOCUMENTS

3,248,749	A	*	5/1966	Williams	16/93	D
D245,756	S	*	9/1977	McKee	D8/376	
D257,666	S	*	12/1980	McKee	D8/376	
D310,775	S	*	9/1990	Ruonala	D8/377	

1 Claim, 7 Drawing Sheets



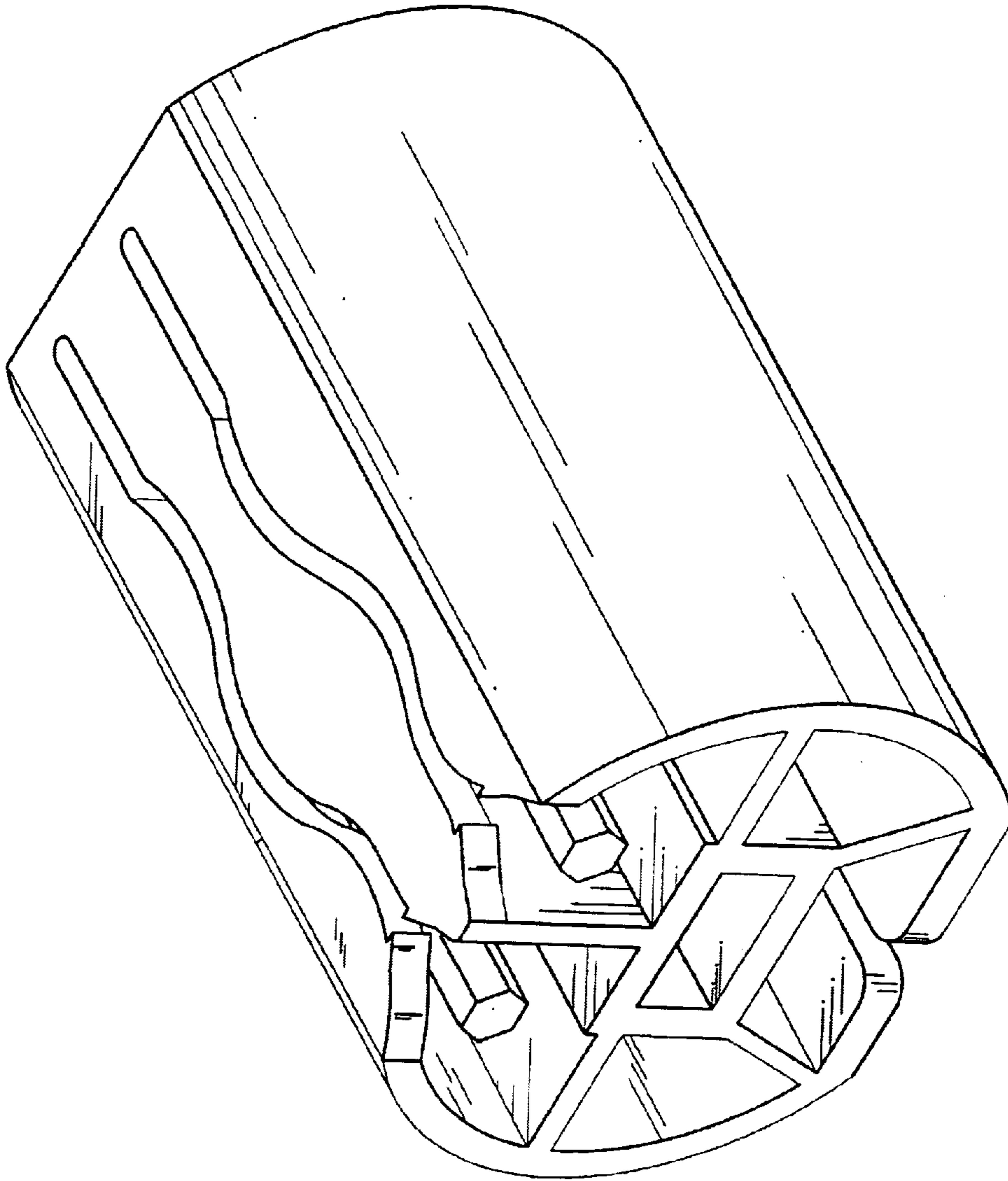


Fig. 1

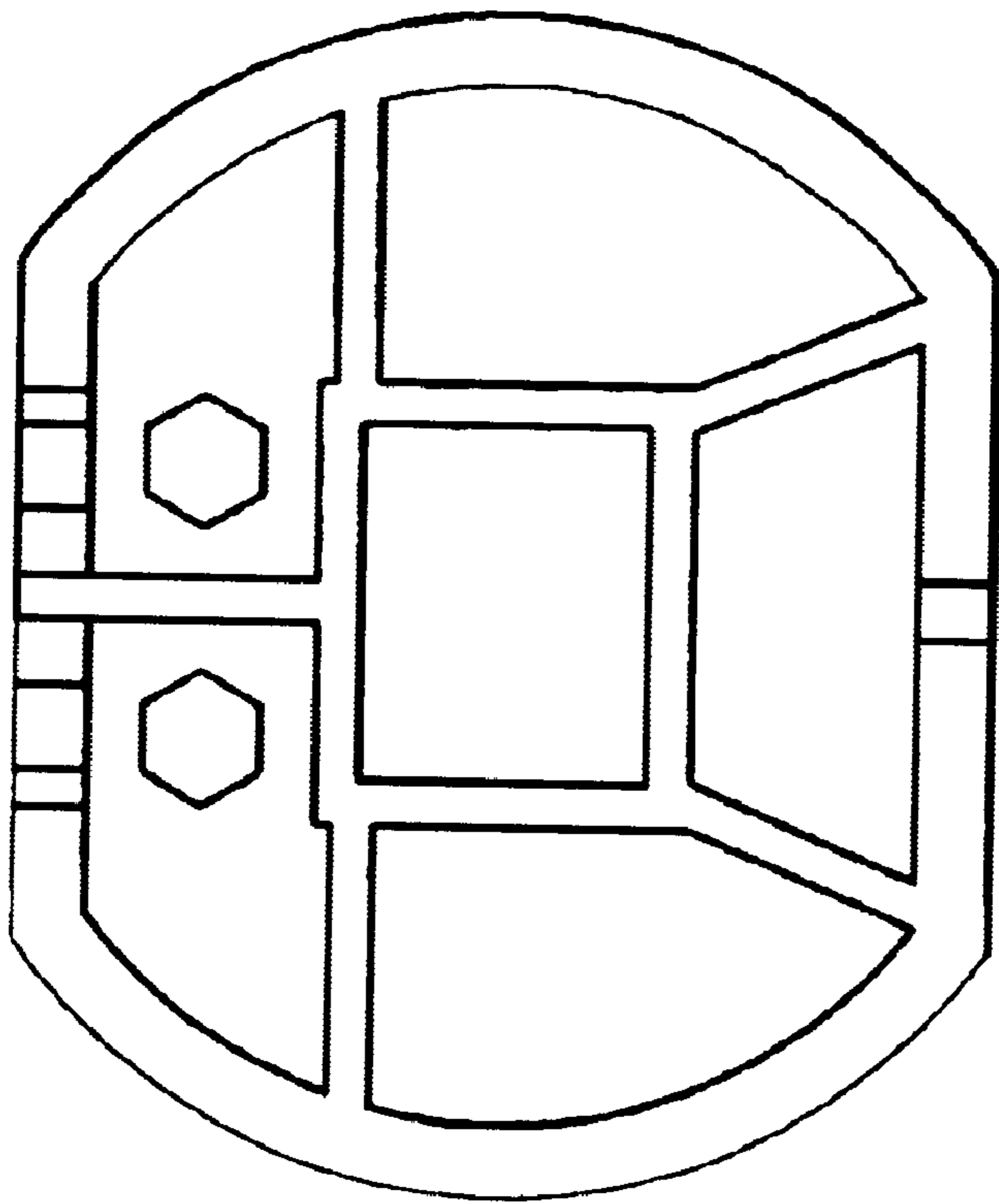


Fig. 2

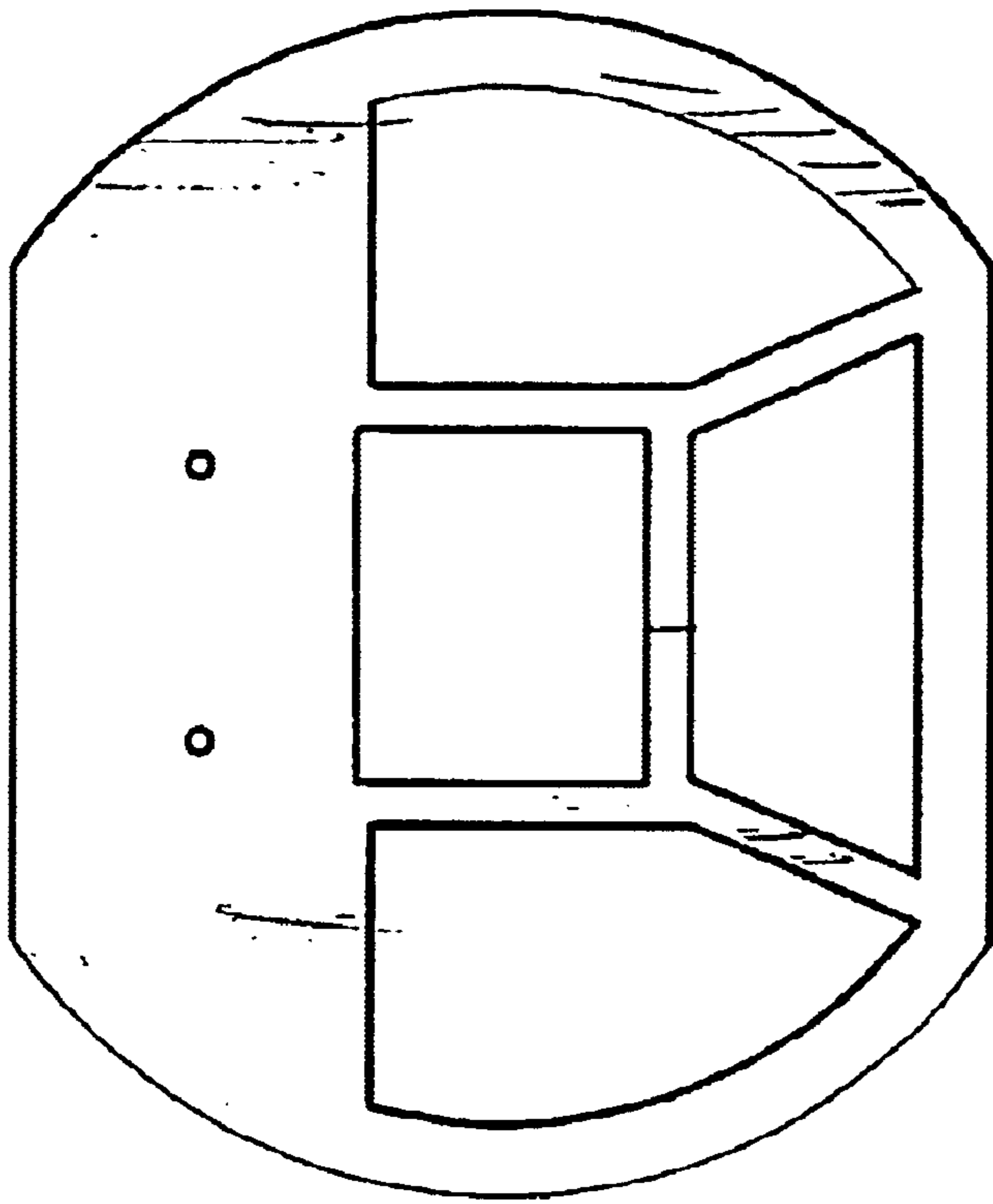


Fig. 3

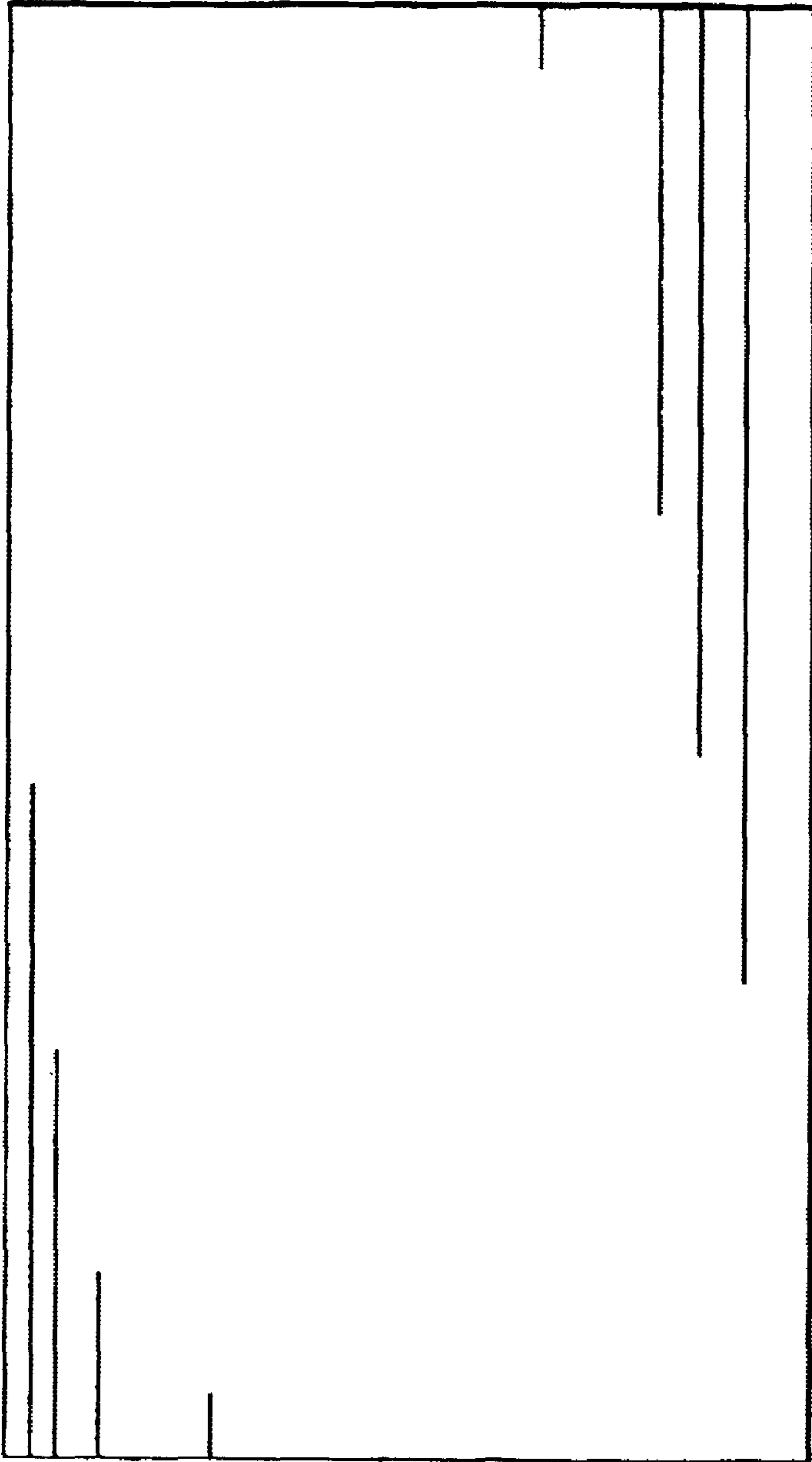


Fig. 4

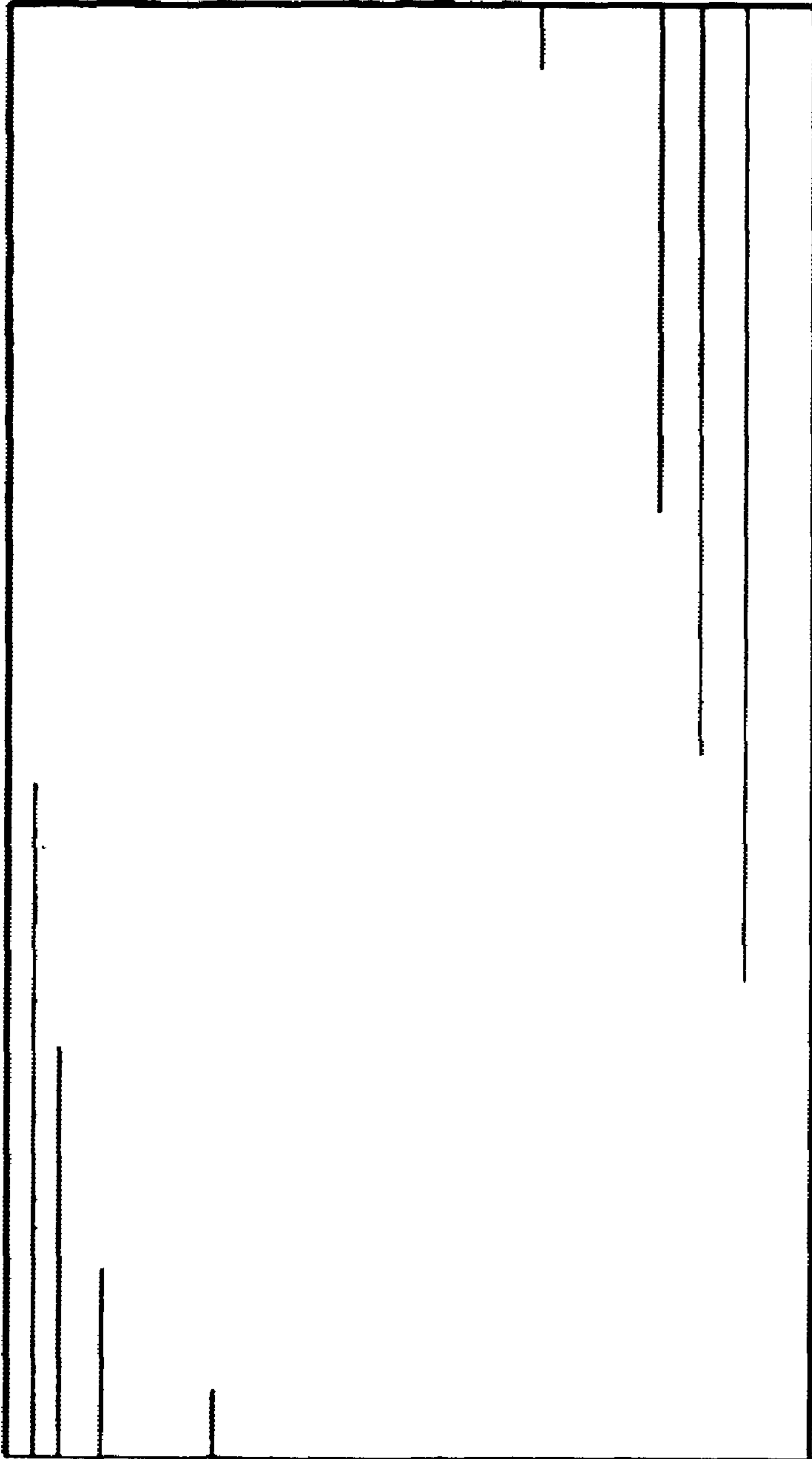


Fig. 5

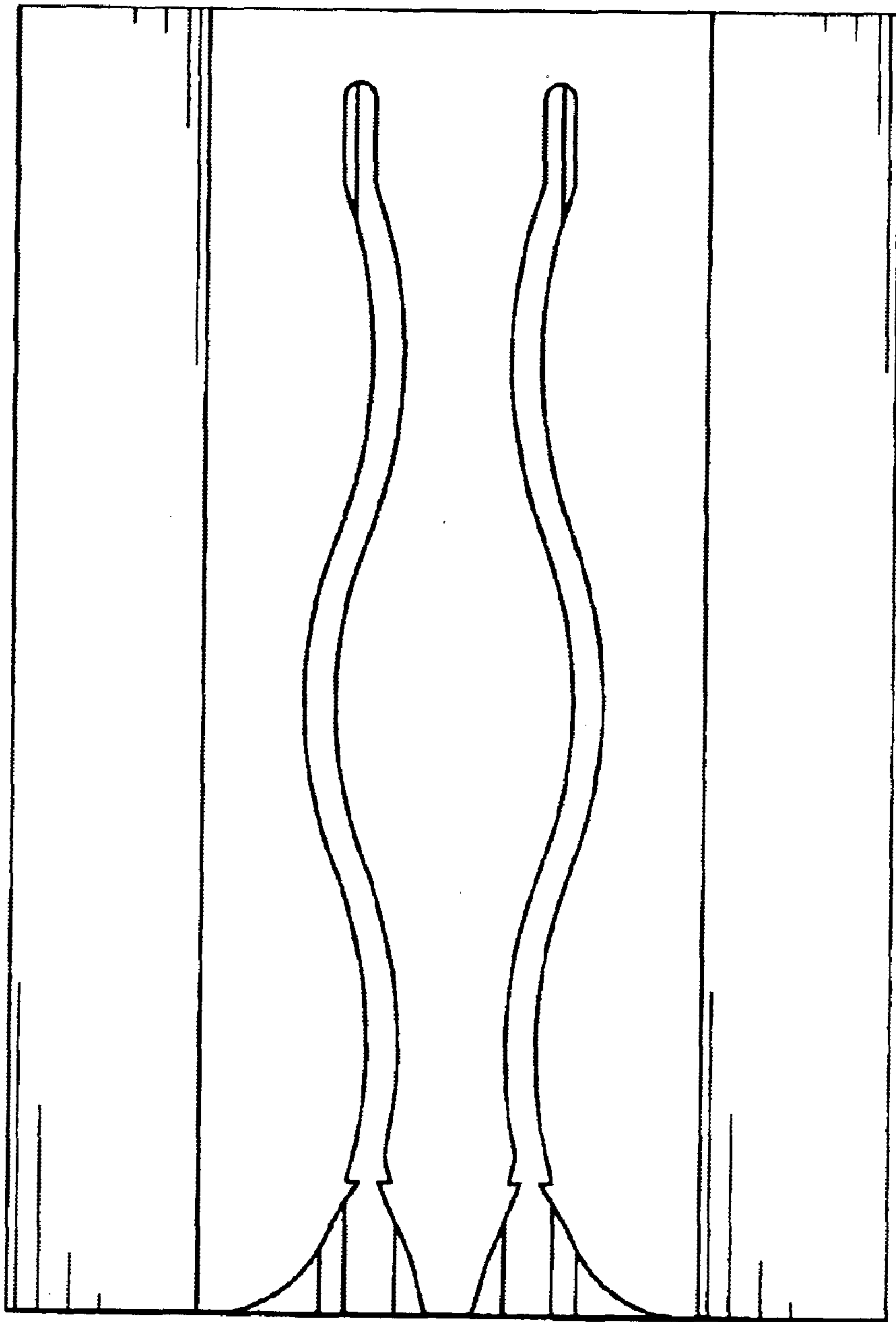


Fig. 6

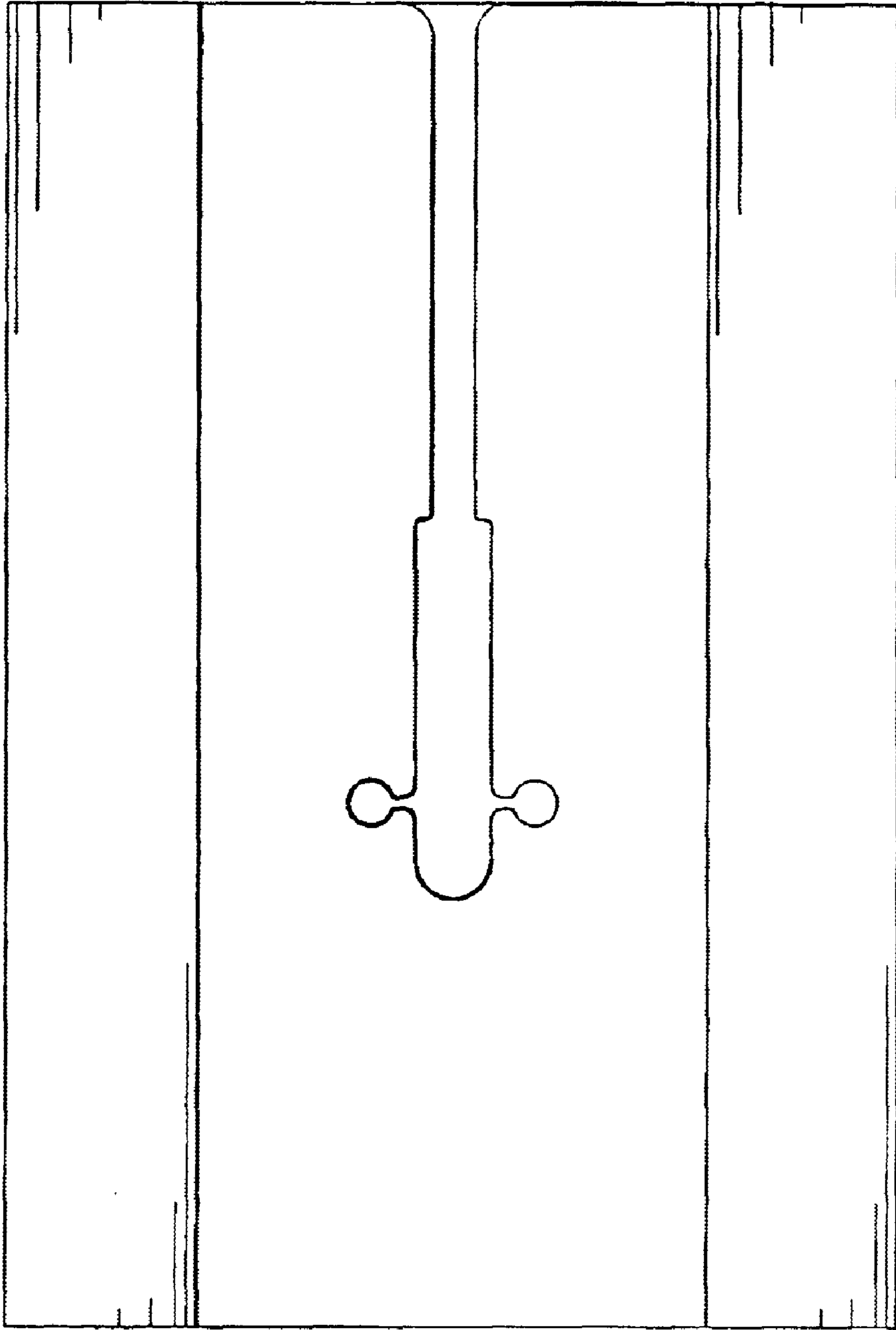


Fig. 7