



US00D491054S

(12) **United States Design Patent**  
**Caterinacci, Jr.**

(10) **Patent No.:** **US D491,054 S**

(45) **Date of Patent:** **\*\* Jun. 8, 2004**

(54) **UNDER SHELF BRACKET**

(75) **Inventor:** **John R. Caterinacci, Jr.**, Hudson, OH (US)

(73) **Assignee:** **Fasteners For Retail, Inc.**, Cleveland, OH (US)

(\*\*) **Term:** **14 Years**

(21) **Appl. No.:** **29/181,251**

(22) **Filed:** **May 7, 2003**

(51) **LOC (7) Cl.** ..... **08-05**

(52) **U.S. Cl.** ..... **D8/381**

(58) **Field of Search** ..... D8/367, 354, 363, D8/381; 248/300, 214-215

(56) **References Cited**

**U.S. PATENT DOCUMENTS**

1,920,849	A	*	8/1933	Driggs	.....	248/214
D290,931	S	*	7/1987	Powell	.....	D8/373
6,065,724	A	*	5/2000	Arslan et al.	.....	248/248
6,364,260	B1	*	4/2002	Lorincz et al.	.....	248/215
D465,724	S	*	11/2002	Goodman et al.	.....	D8/367

**OTHER PUBLICATIONS**

Stimpson Designer's Reference Catalog, p. 19, fastener located at bottom left of page, Nov. 1968.\*

FFR Yellow Pages® 2002 Product Catalog, Front Cover, pp. 57, 135, 152 and 177.

\* cited by examiner

*Primary Examiner*—Holly Baynham

(74) *Attorney, Agent, or Firm*—Fay, Sharpe, Fagan, Minnich & McKee, LLP

(57) **CLAIM**

The ornamental design for an under shelf bracket, as shown and described.

**DESCRIPTION**

FIG. 1 is a front perspective view of an under shelf bracket illustrating my new design;

FIG. 2 is a front view thereof;

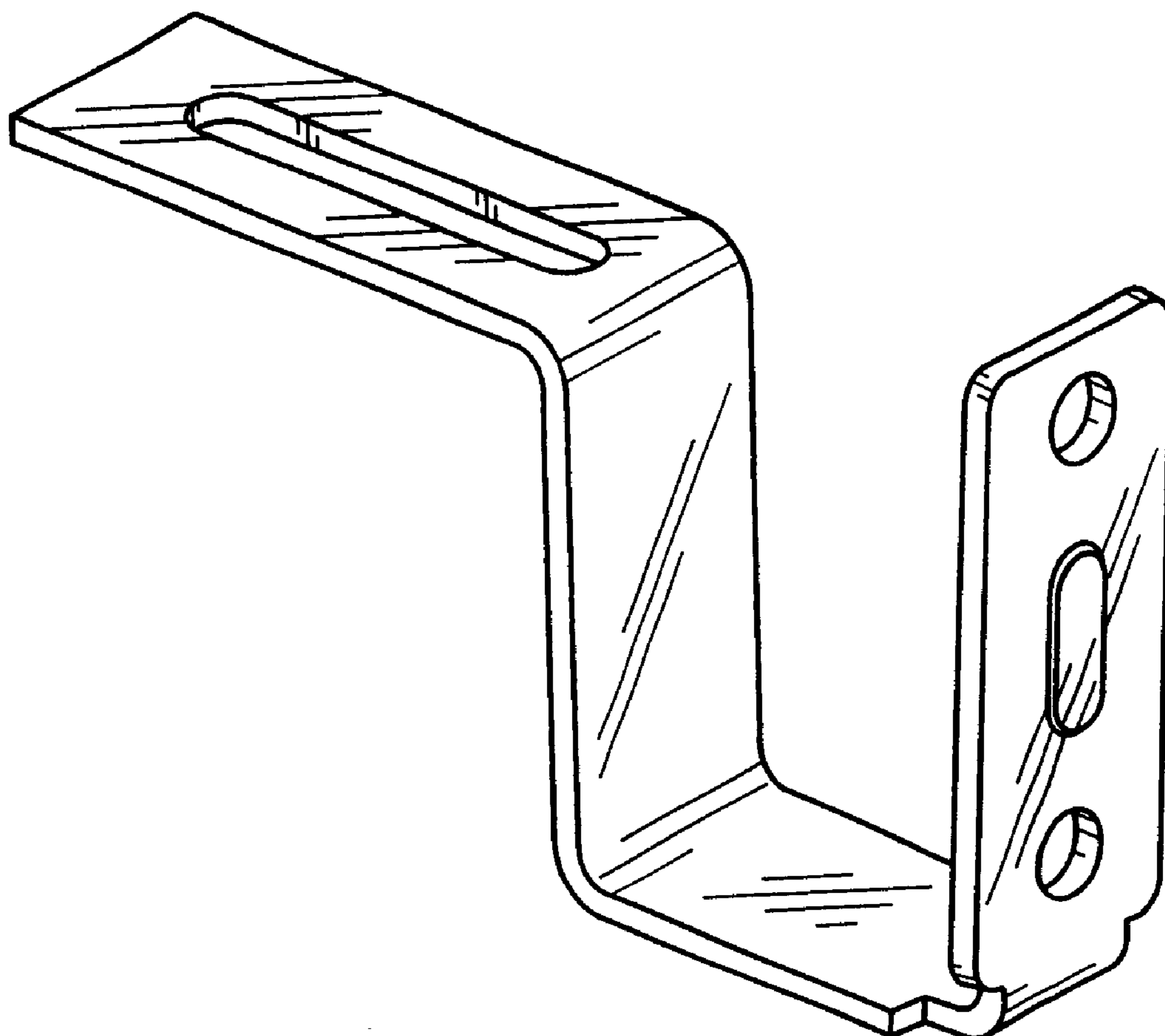
FIG. 3 is a rear view thereof;

FIG. 4 is a right side elevational view thereof, with a left side elevational view being a mirror image thereof;

FIG. 5 is a top plan view thereof; and,

FIG. 6 is a rear perspective view thereof.

**1 Claim, 2 Drawing Sheets**



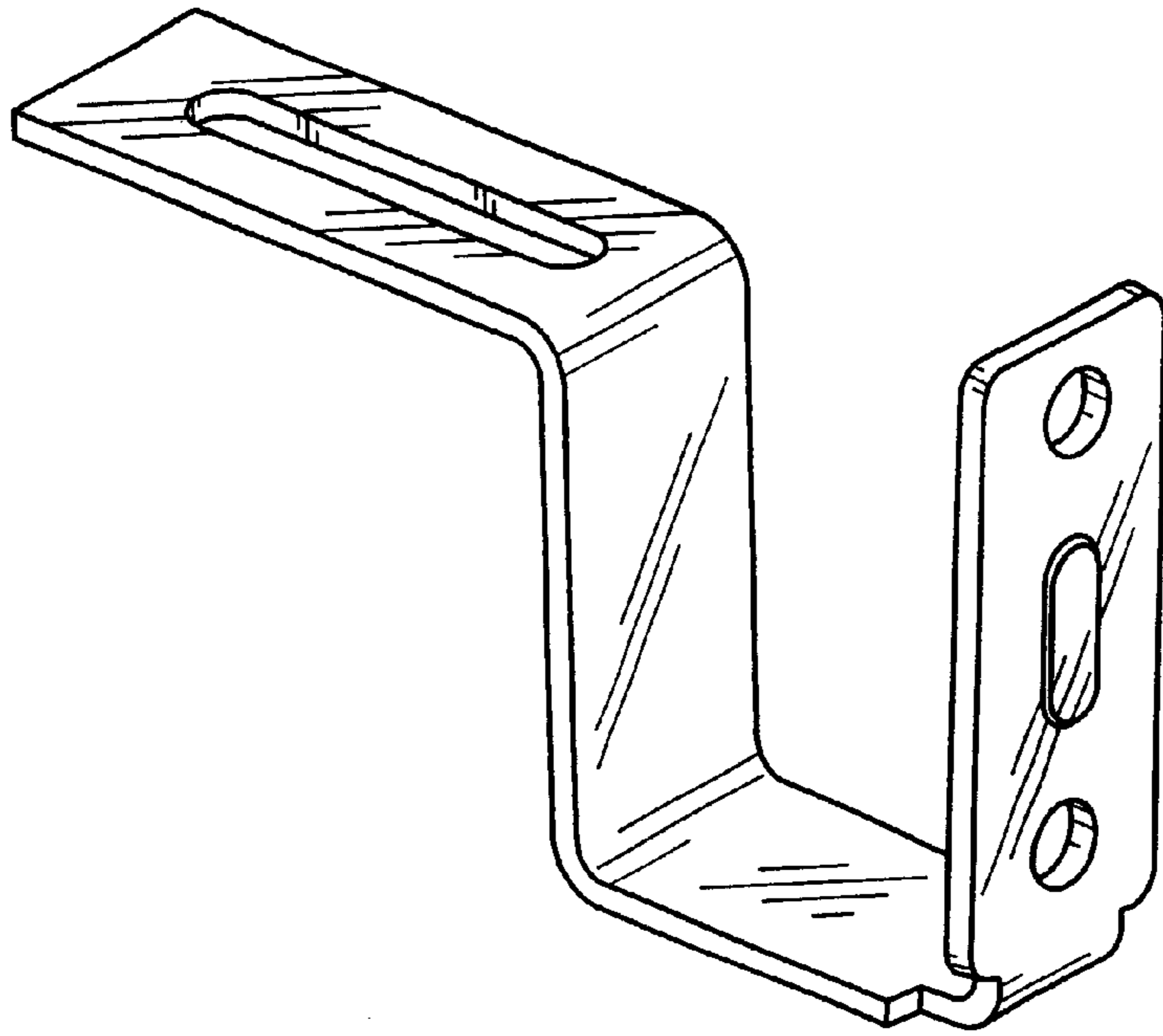


FIG. 1

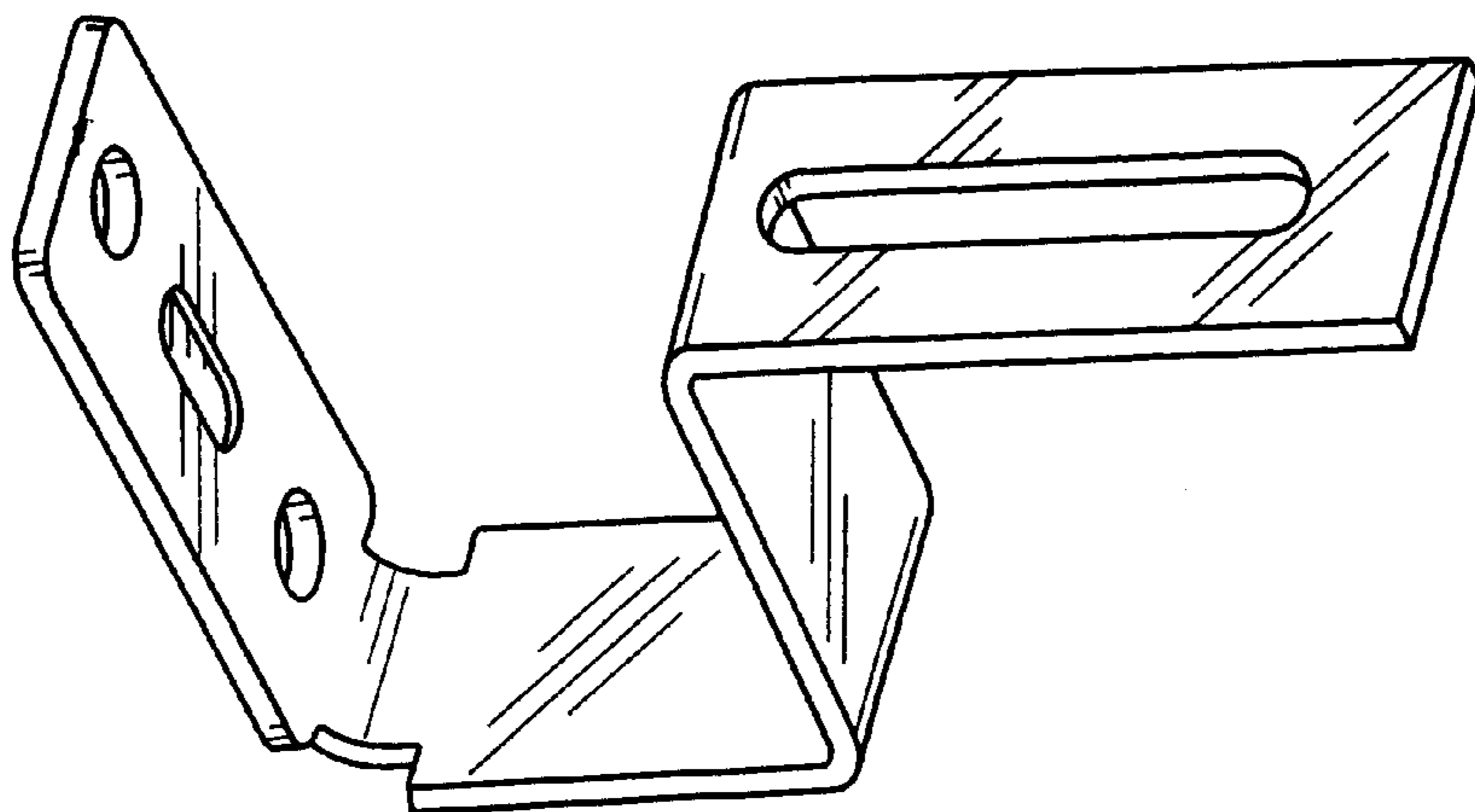


FIG. 6

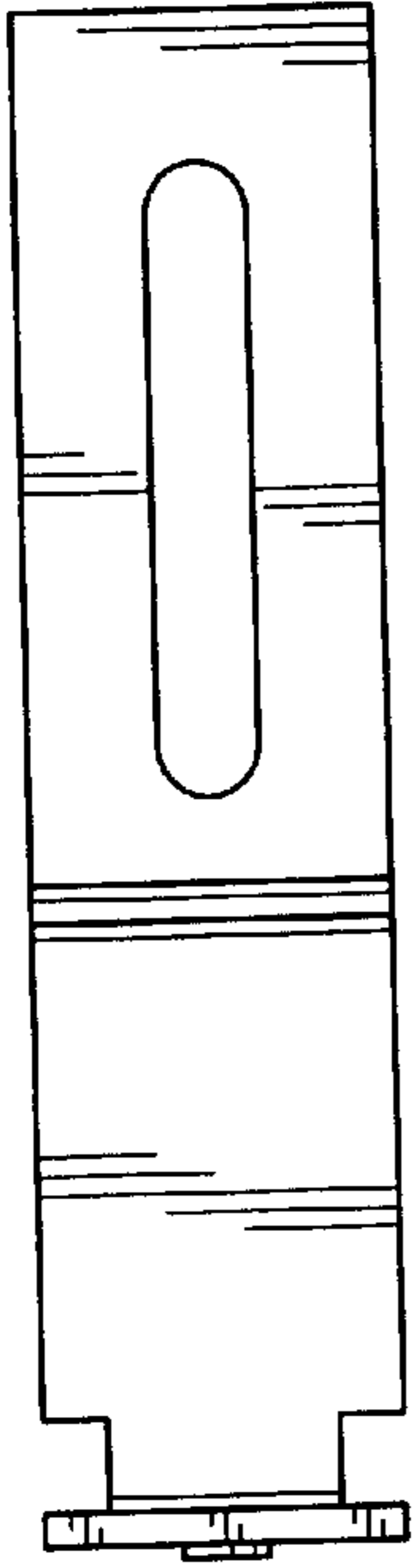


FIG. 5

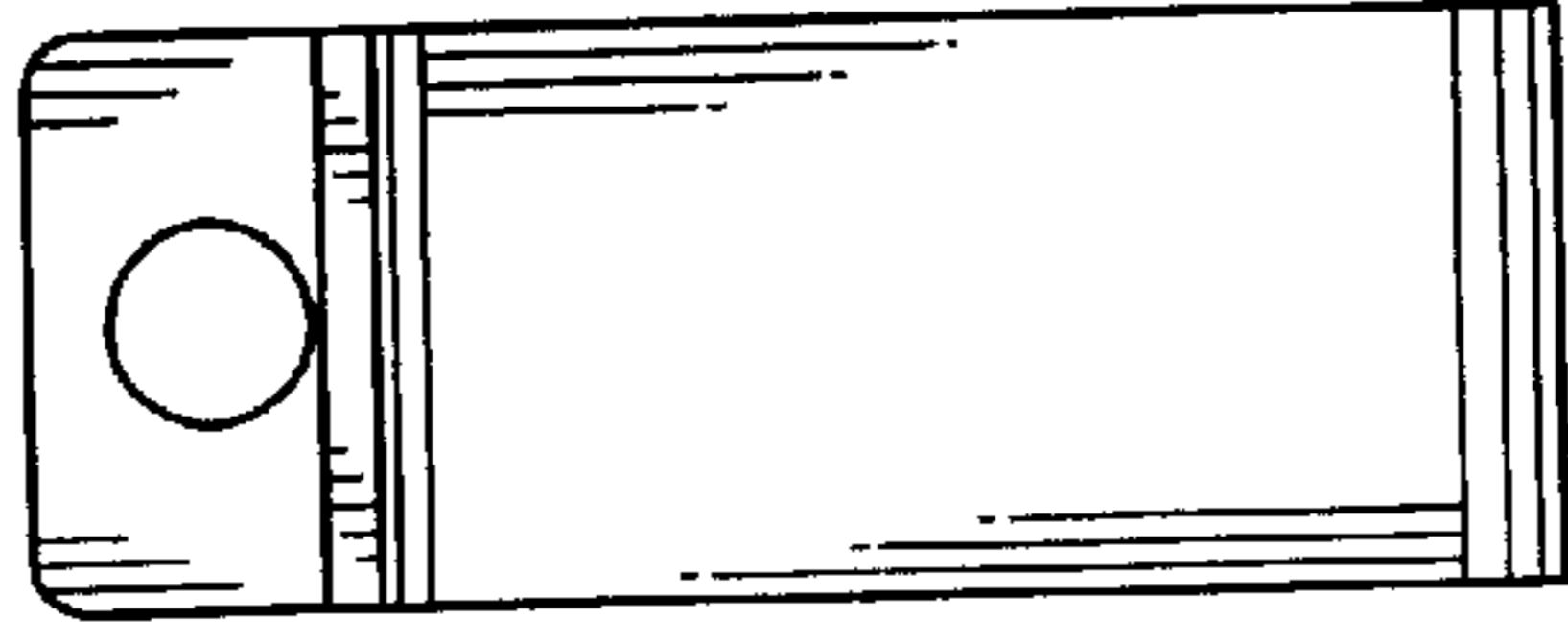


FIG. 3

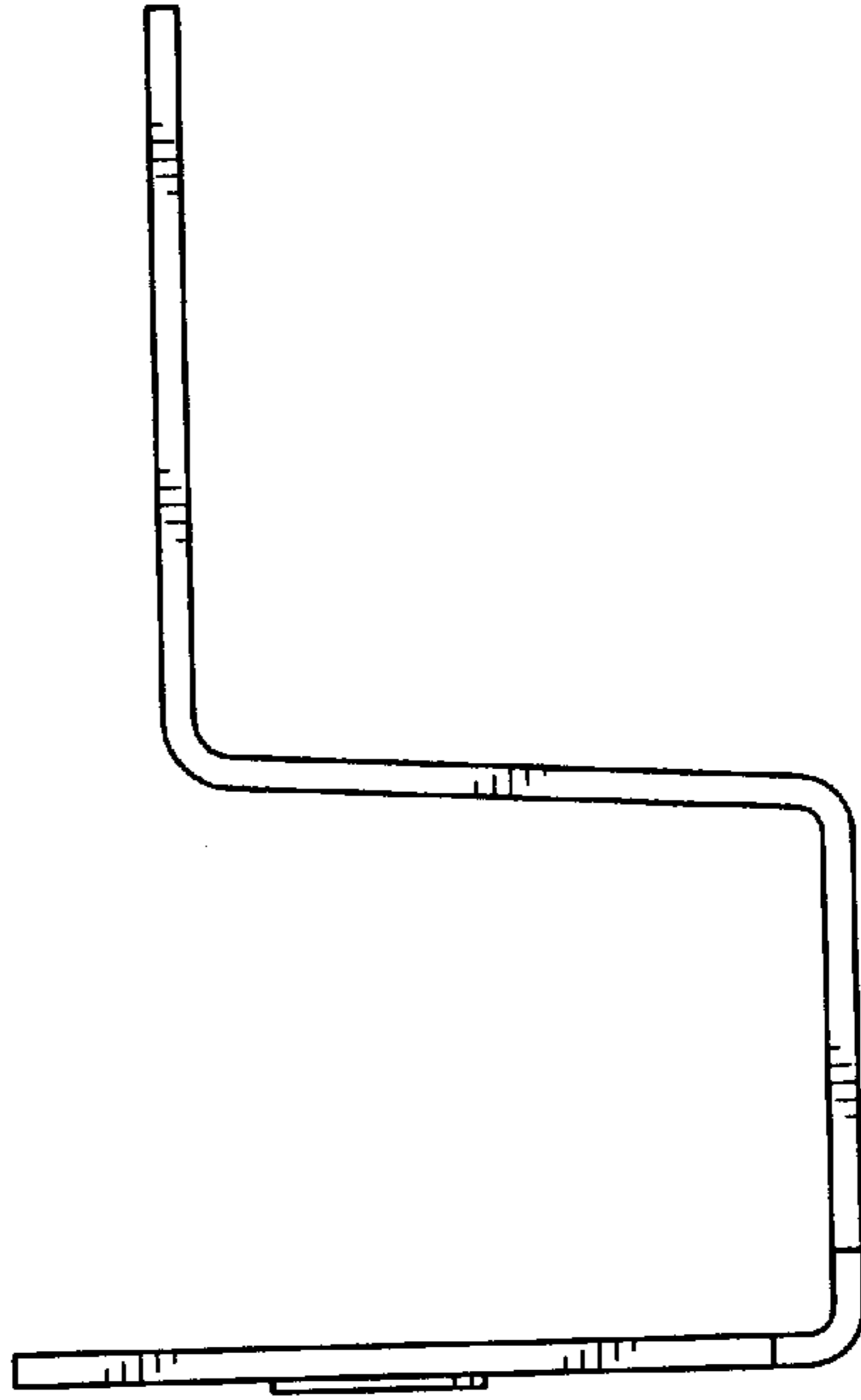


FIG. 4

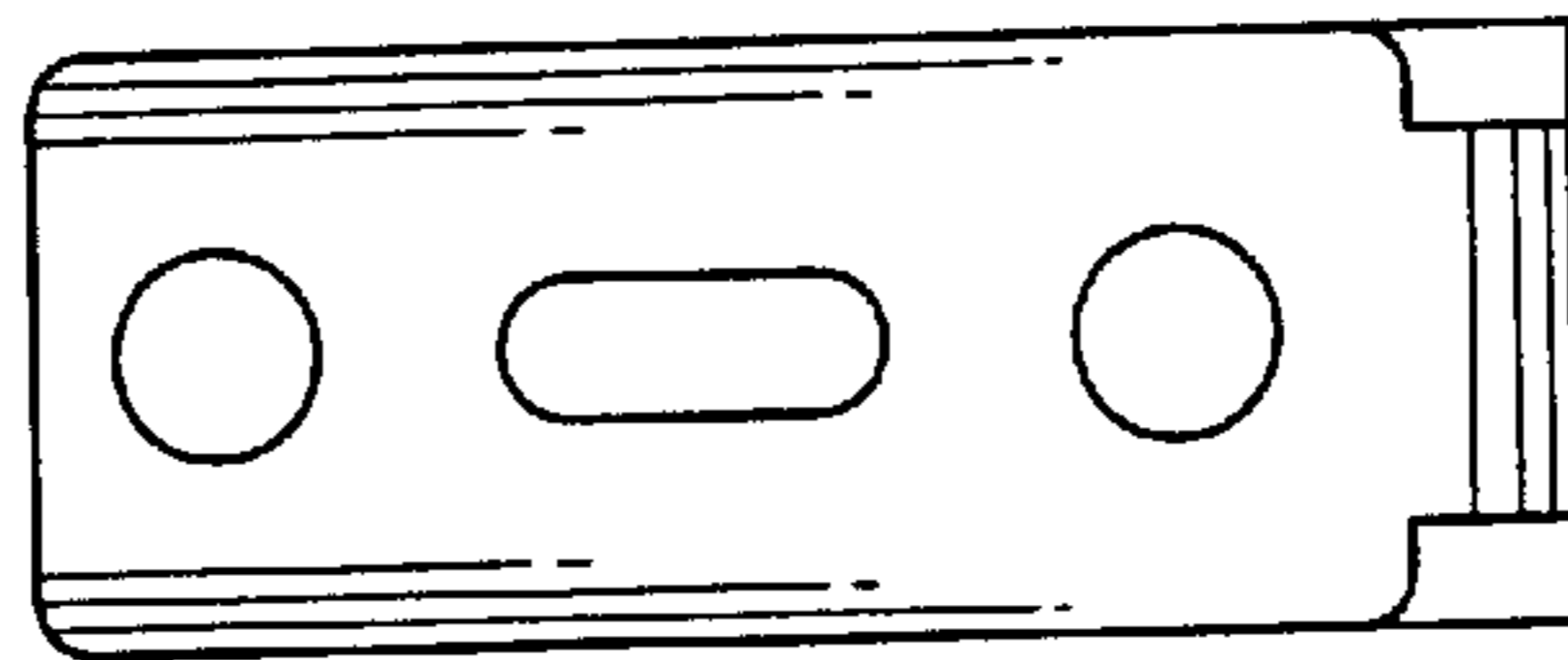


FIG. 2