



US00D491050S

(12) **United States Design Patent**
Sprinkle

(10) **Patent No.:** **US D491,050 S**

(45) **Date of Patent:** **** Jun. 8, 2004**

(54) **POSTER HANGER**

(76) **Inventor:** **Jeffrey Lance Sprinkle**, 12750 SW.
Watkins Ave., Tigard, OR (US) 97223

(**) **Term:** **14 Years**

(21) **Appl. No.:** **29/178,937**

(22) **Filed:** **Apr. 3, 2003**

(51) **LOC (7) Cl.** **08-05**

(52) **U.S. Cl.** **D8/373**

(58) **Field of Search** D8/373; D20/43;
248/467, 205.3

(56) **References Cited**

U.S. PATENT DOCUMENTS

3,766,676 A	10/1973	Slemmons
4,761,902 A	8/1988	Lansky et al.
4,849,742 A	7/1989	Warrington
4,912,864 A	4/1990	Price

D308,547 S * 6/1990 Kendes D20/43

D320,521 S * 10/1991 Baur D6/553

5,261,174 A 11/1993 Blegen

D346,278 S 4/1994 Pritchett

D355,788 S * 2/1995 Irvin D6/410

* cited by examiner

Primary Examiner—Holly Baynham

(74) *Attorney, Agent, or Firm*—Richard L. Mikesell

(57) **CLAIM**

The design for a poster hanger, as shown and described.

DESCRIPTION

FIG. 1 is a Top Right perspective view of the design of the instant invention;

FIG. 2 is a Top plan view;

FIG. 3 is a Rear elevation view; and,

FIG. 4 is a End elevation view.

1 Claim, 1 Drawing Sheet

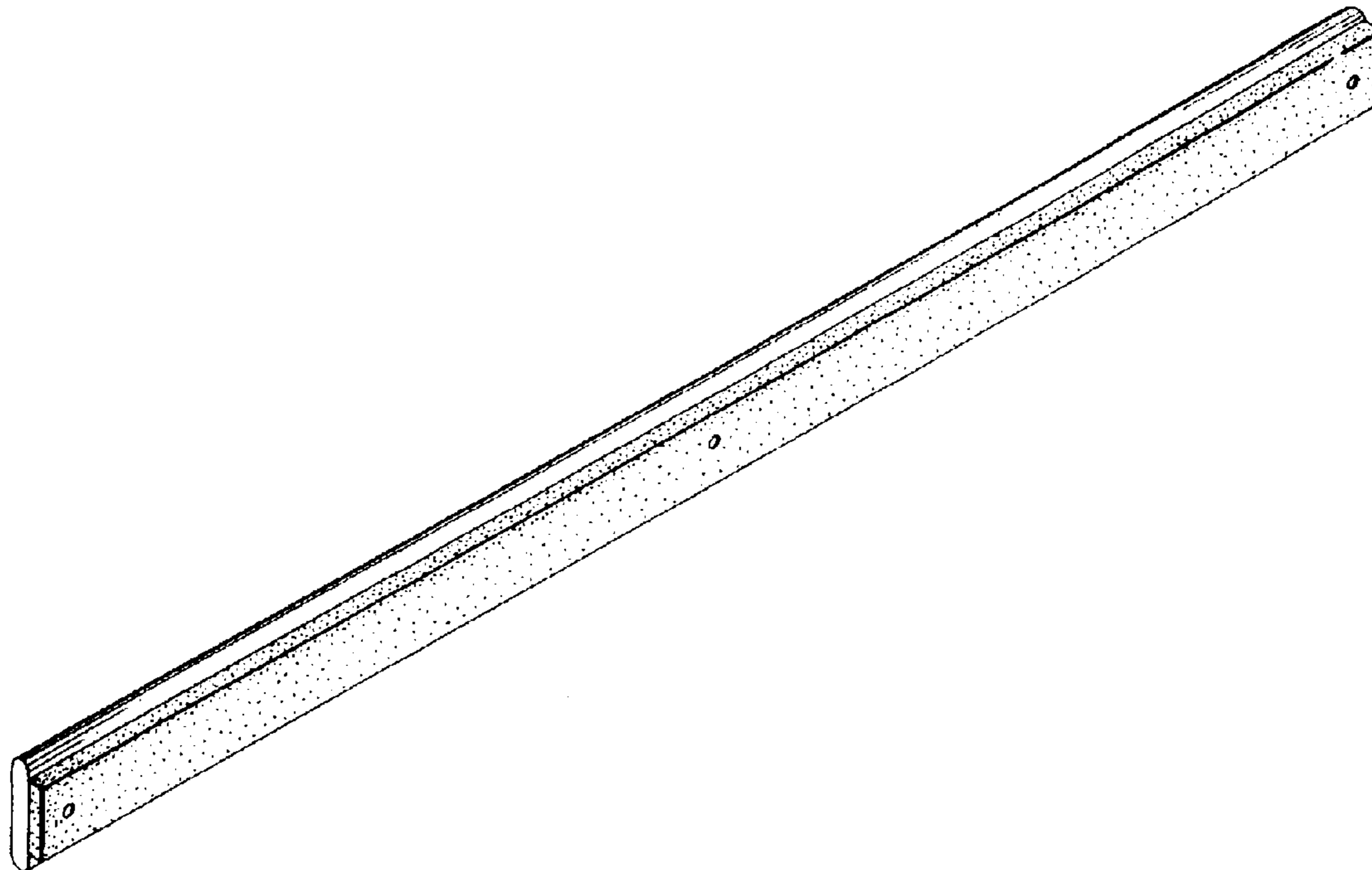




FIG. 2

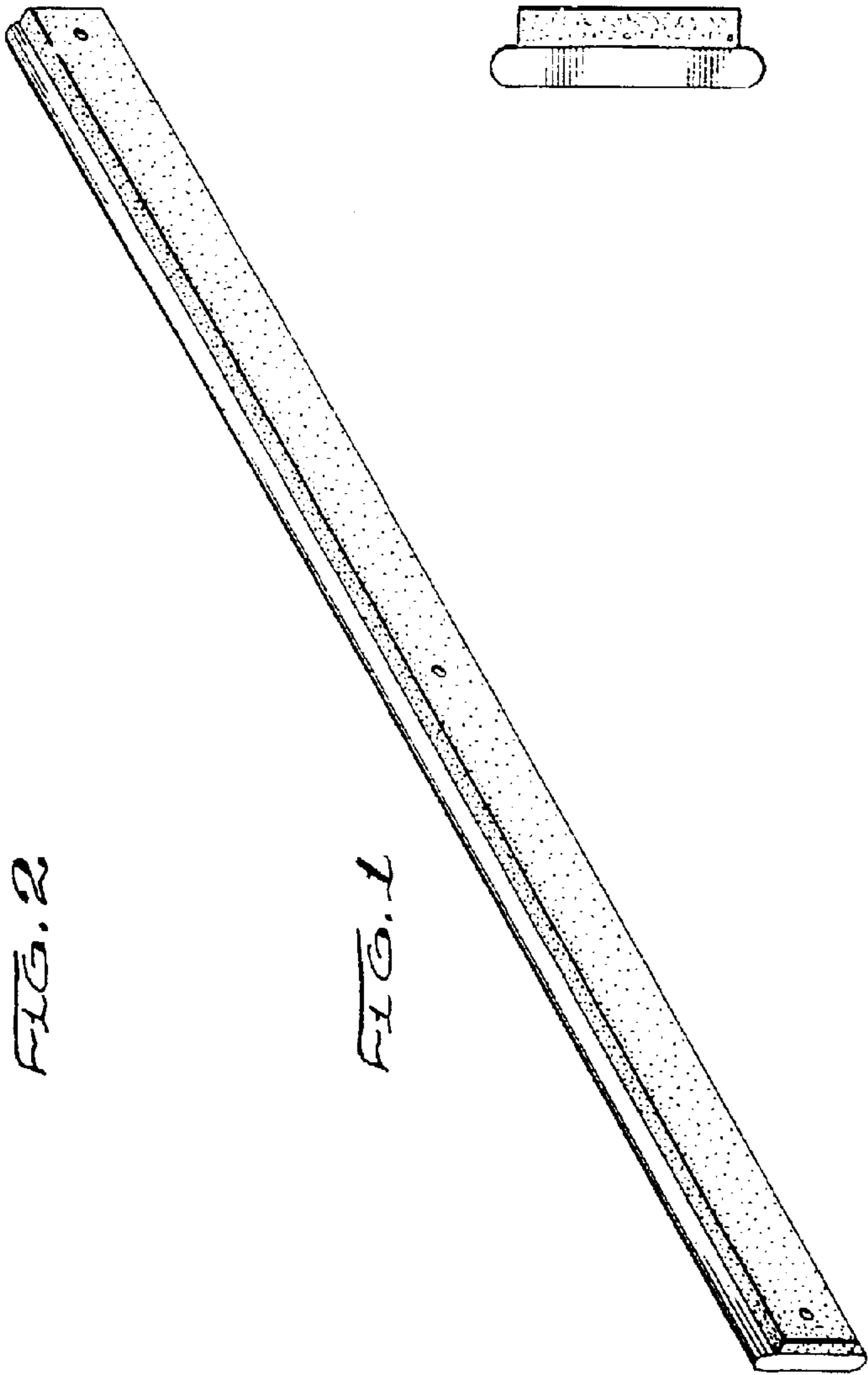


FIG. 1

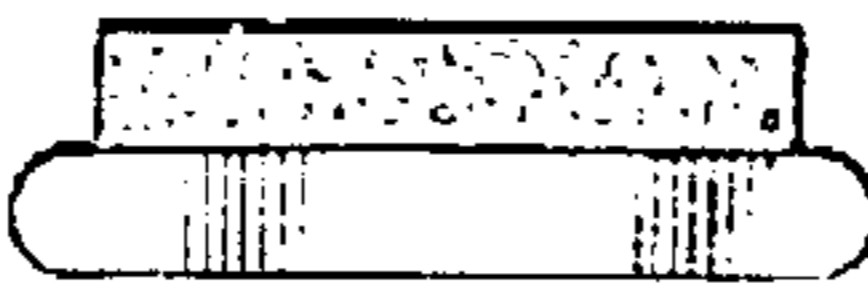


FIG. 9



FIG. 3