



US00D491046S

(12) **United States Design Patent**
Johnson

(10) **Patent No.:** **US D491,046 S**

(45) **Date of Patent:** **** Jun. 8, 2004**

(54) **WIRE WRAP**

(76) **Inventor:** **Daria Louise Johnson**, 726-N.
McDonald Rd. # 56, Spokane Valley,
WA (US) 99216

(**) **Term:** **14 Years**

(21) **Appl. No.:** **29/180,778**

(22) **Filed:** **Apr. 30, 2003**

(51) **LOC (7) Cl.** **08-05**

(52) **U.S. Cl.** **D8/356**

(58) **Field of Search** D3/215; D6/512;
D8/349, 354, 355, 356, 373, 380, 382,
394; D21/694; D24/190; D29/120.1; 2/170;
24/17 A, 17 R, 129 R, 129 W, 442; 224/221,
222, 267, 620, 901.2; 482/44, 79

(56) **References Cited**

U.S. PATENT DOCUMENTS

D52,942 S	*	2/1919	Badger	D8/356
3,731,348 A	*	5/1973	Luehne	280/814
D241,519 S	*	9/1976	Mathews	D8/396
4,257,596 A	*	3/1981	Capella	24/17 A
4,458,933 A	*	7/1984	Thomas	294/31.2
D281,005 S	*	10/1985	Larsen	D21/694
D291,942 S	*	9/1987	Green	D3/215
4,719,876 A	*	1/1988	Wilken	119/815
4,815,172 A	*	3/1989	Ward	24/442
4,858,801 A	*	8/1989	Sameniego	224/264
D318,413 S	*	7/1991	McNulty, Jr.	D8/356

5,086,543 A	*	2/1992	Mitchell	24/16 R
5,136,759 A	*	8/1992	Armour, II	24/442
D347,692 S	*	6/1994	McCartney	D24/190
5,938,572 A	*	8/1999	Spano	224/222
6,474,520 B1	*	11/2002	Finkelstein	224/267

* cited by examiner

Primary Examiner—James Gandy
Assistant Examiner—Elizabeth Albert

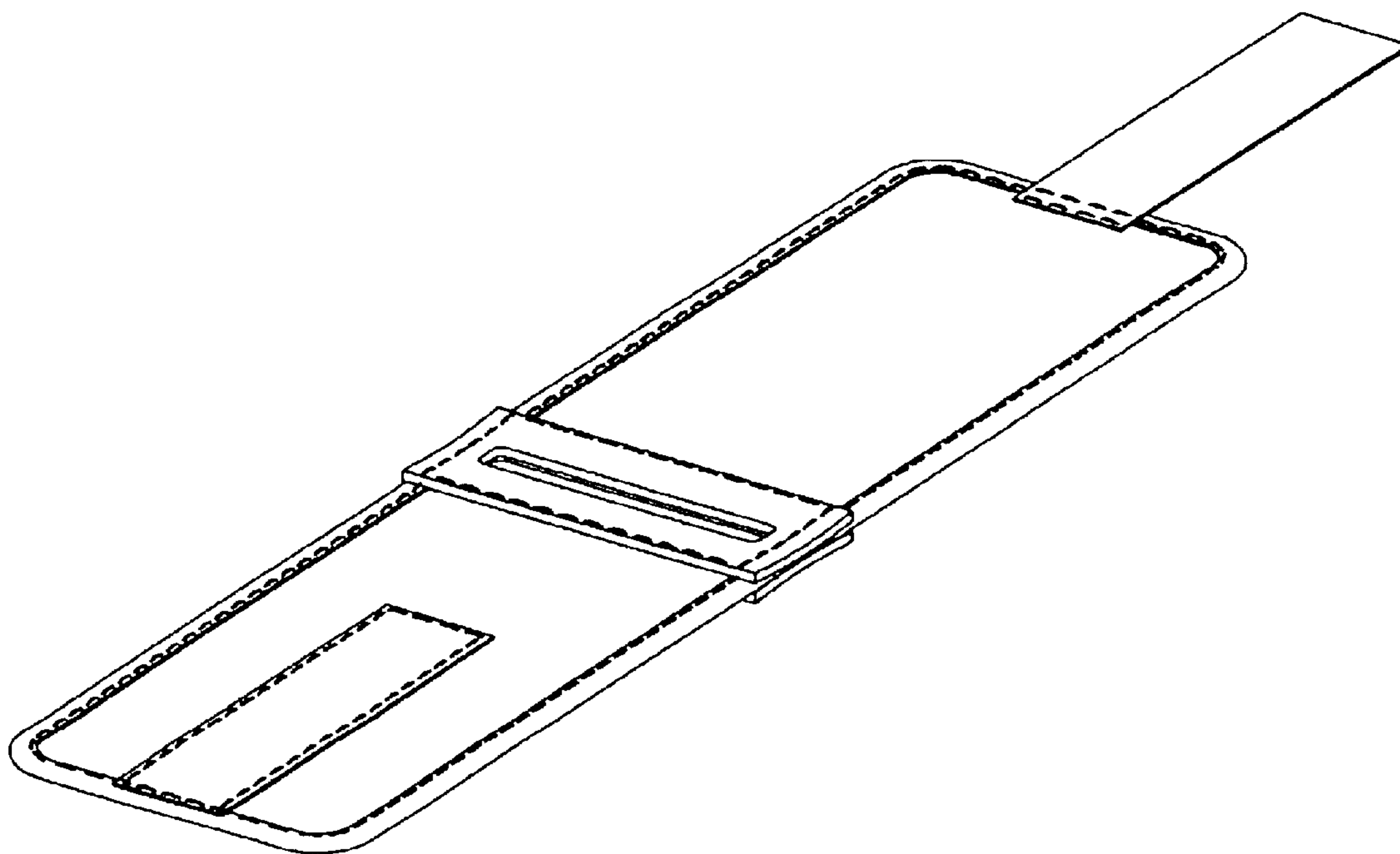
(57) **CLAIM**

The ornamental design for a wire wrap, as shown and described.

DESCRIPTION

FIG. 1 is a top view of the wire wrap showing my new design;
FIG. 2 is a front view of FIG. 1;
FIG. 3 is a bottom view of FIG. 1;
FIG. 4 is a rear view of FIG. 1;
FIG. 5 is a left side view of FIG. 1;
FIG. 6 is a right side view of FIG. 1;
FIG. 7 is a top perspective view of FIG. 1;
FIG. 8 is a bottom perspective view of FIG. 1; and,
FIG. 9 is a perspective view of FIG. 1 in a condition of use.
The evenly spaced broken lines in FIGS. 1–9 are intended to represent a pattern of stitching. The long and short broken lines shown in FIG. 9 representing environment are for illustrative purposes only and form no part of the claimed design.

1 Claim, 2 Drawing Sheets



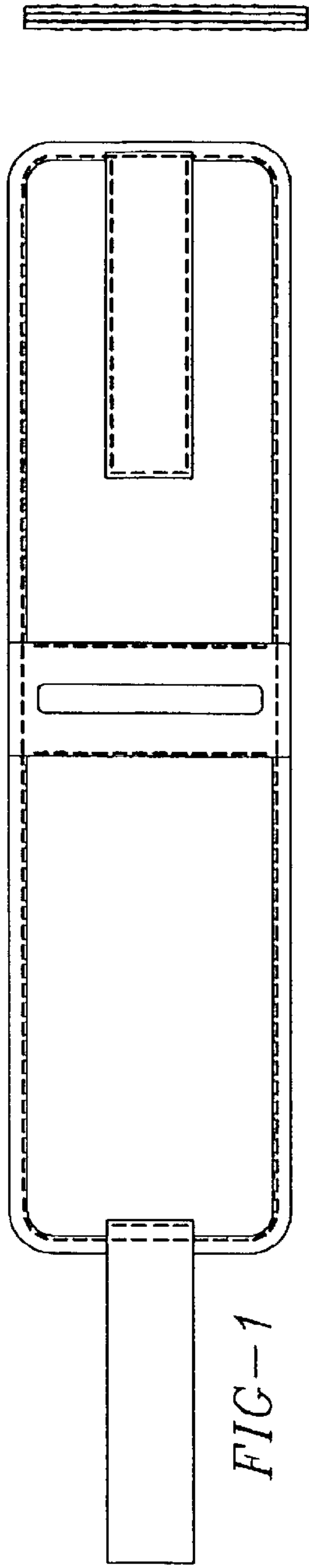


FIG-1

FIG-5

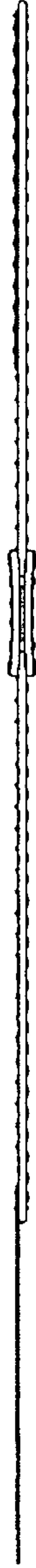


FIG-2

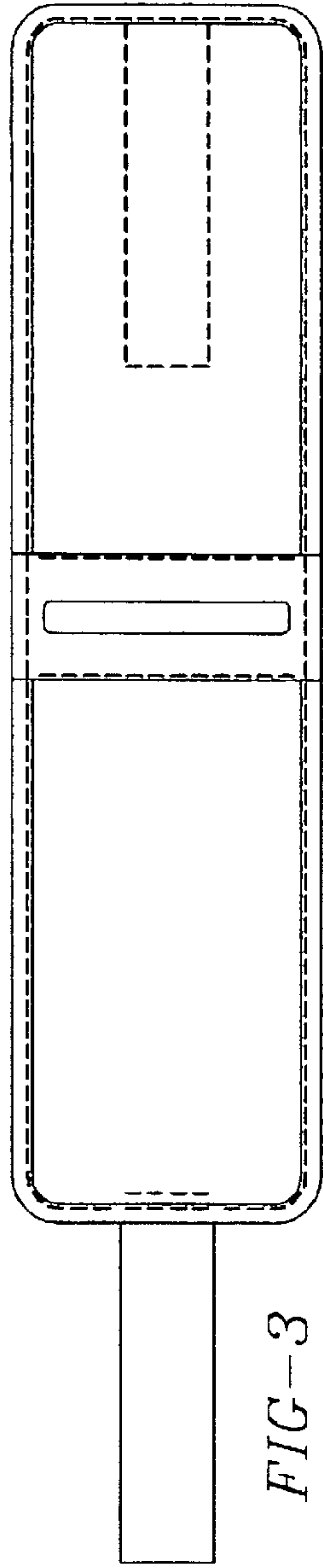


FIG-3

FIG-6



FIG-4

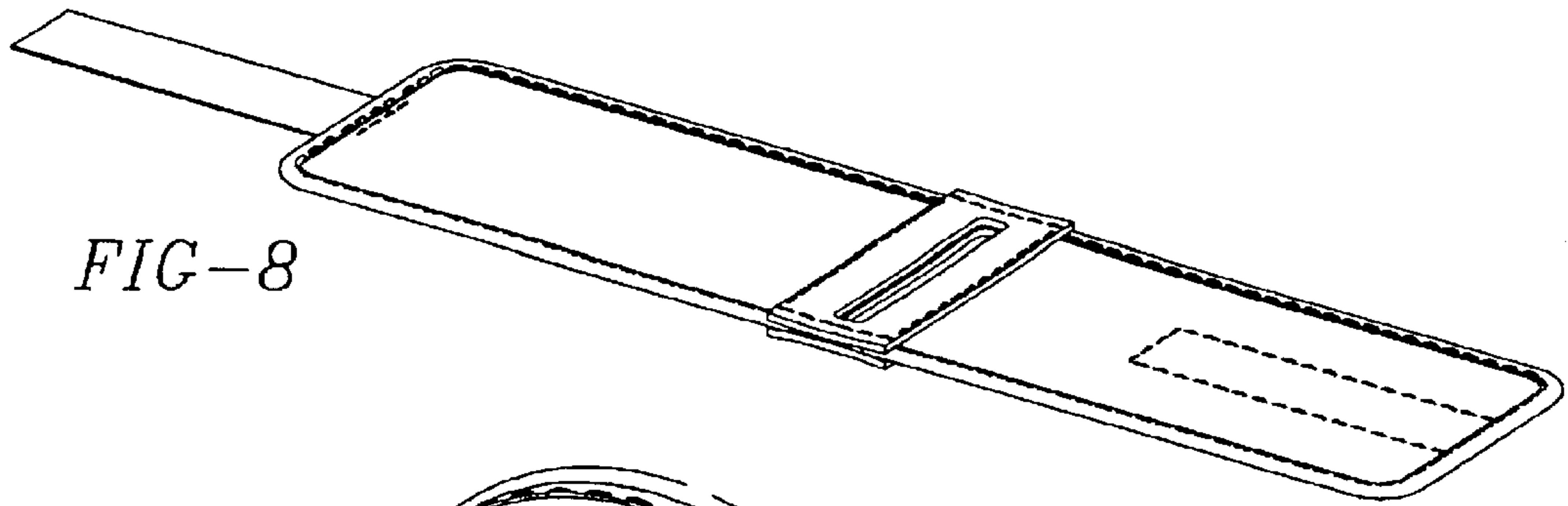


FIG-8

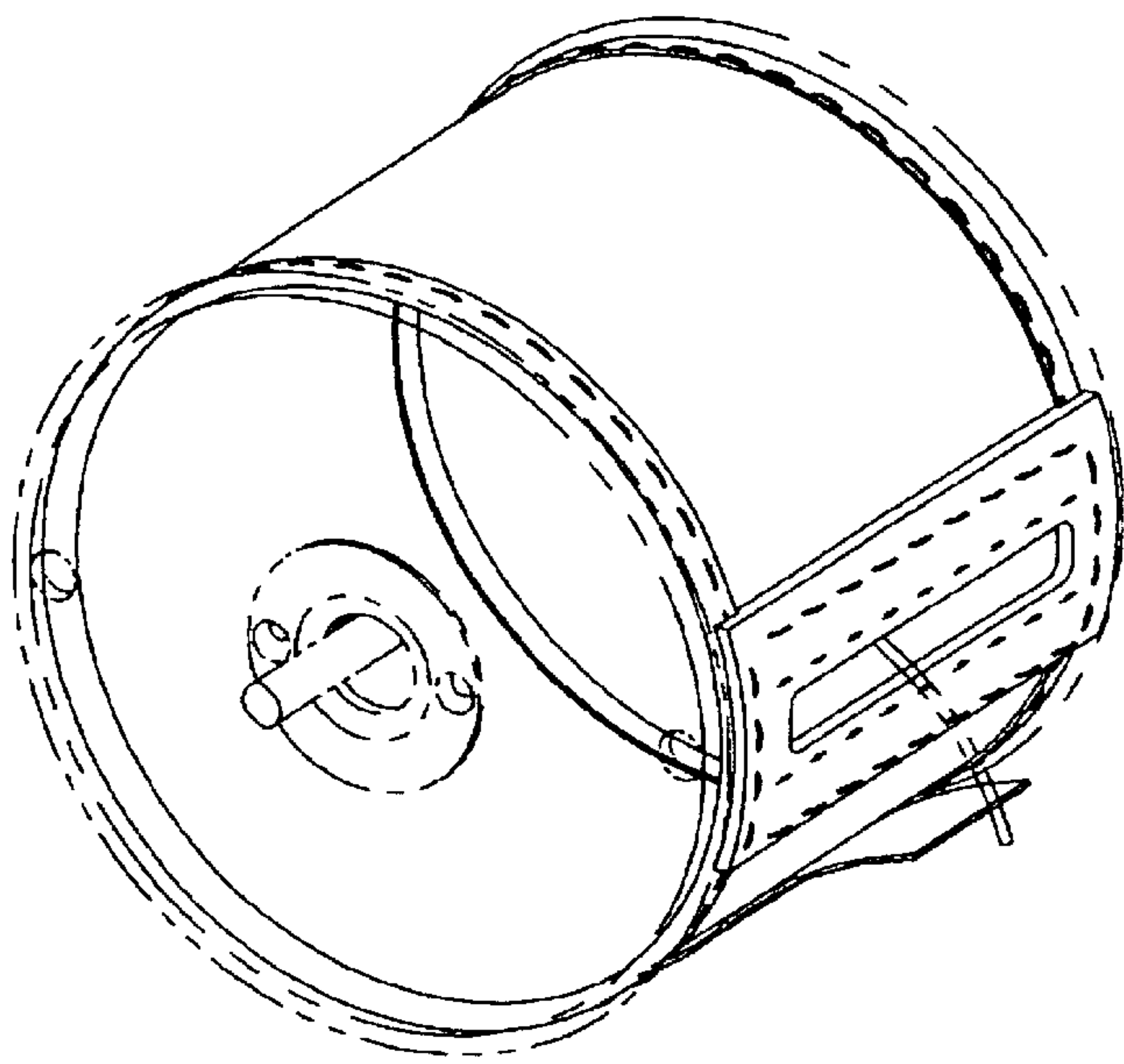


FIG-9

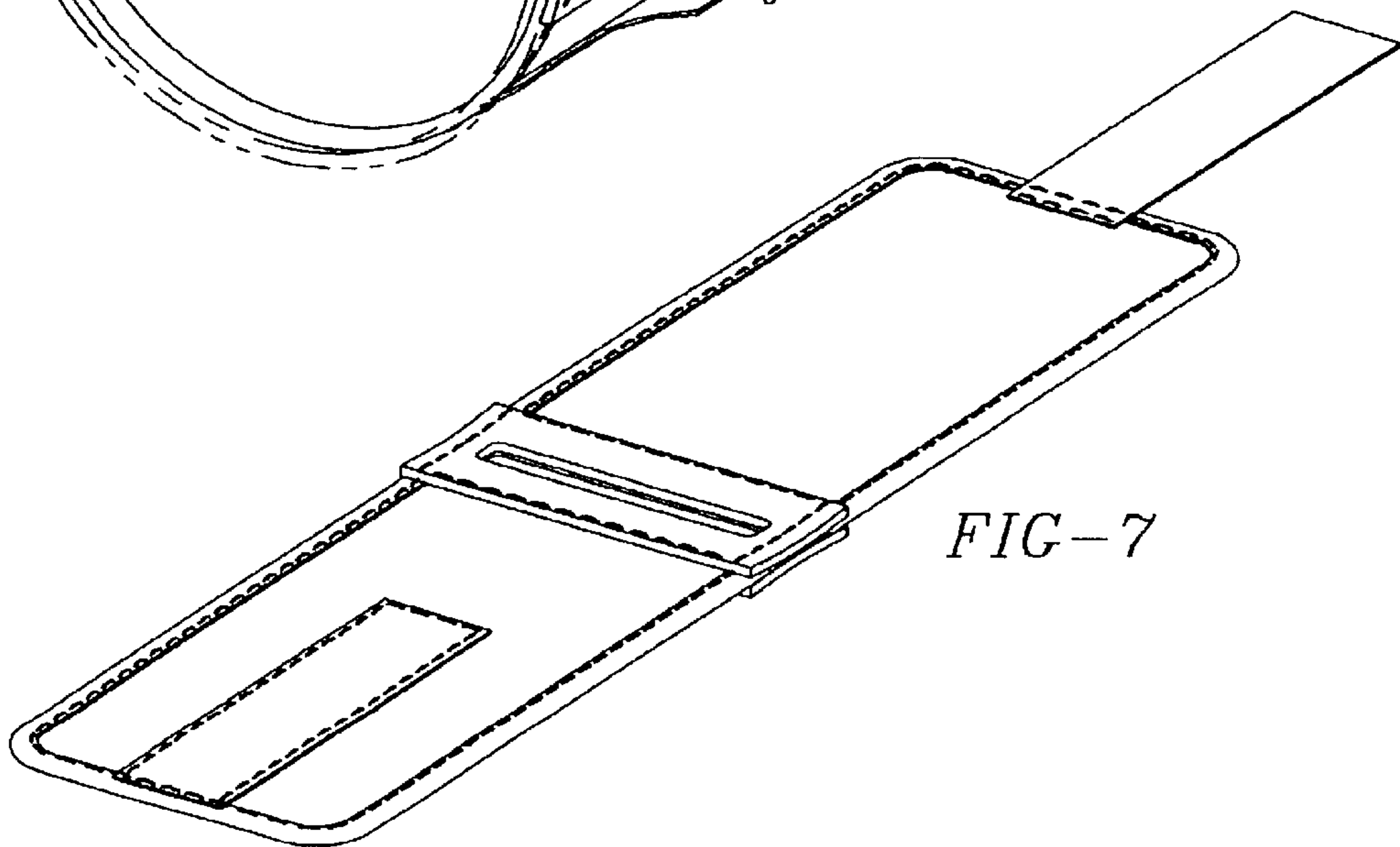


FIG-7