



US00D491044S

(12) **United States Design Patent**
Vito

(10) **Patent No.:** **US D491,044 S**

(45) **Date of Patent:** **** Jun. 8, 2004**

(54) **SHACKLE**

(76) Inventor: **Robert A. Vito**, 1434 Sugartown Rd.,
Berwyn, PA (US) 19312

(**) Term: **14 Years**

(21) Appl. No.: **29/171,738**

(22) Filed: **Nov. 27, 2002**

Related U.S. Application Data

(63) Continuation-in-part of application No. 29/171,066, filed on
Nov. 15, 2002.

(51) **LOC (7) Cl.** **08-03**

(52) **U.S. Cl.** **D8/343**

(58) **Field of Search** D8/330, 331, 334,
D8/336, 343; 70/20, 24, 22, 25, 26, 38 R,
38 A, 38 B, 38 C, 51, 53, 431, 435

(56) **References Cited**

U.S. PATENT DOCUMENTS

228,656 A	6/1880	Loch	
1,522,851 A *	1/1925	Wright	70/38 C
1,690,041 A	10/1928	Sundquist	
2,136,054 A *	11/1938	Malley	70/20
2,375,488 A	5/1945	Olson	
2,904,985 A	9/1959	Murphy	
3,626,729 A *	12/1971	Fane et al.	70/18
4,224,813 A	9/1980	Hampton	

D292,869 S 11/1987 Lebrecht
4,829,795 A 5/1989 Taylor
5,148,690 A * 9/1992 Wang 70/38 A

* cited by examiner

Primary Examiner—Prabhakar Deshmukh
(74) *Attorney, Agent, or Firm*—Volpe and Koenig, P.C.

(57) **CLAIM**

I claim a new ornamental design for a shackle, as shown and described.

DESCRIPTION

FIG. 1 is a perspective view of a shackle according to a preferred embodiment of my new design; FIG. 2 is a front elevational view of the shackle of FIG. 1; FIG. 3 is a second perspective view of the shackle of FIG. 1; FIG. 4 is a rear elevational view of the shackle of FIG. 1; FIG. 5 is a right side elevational view of the shackle of FIG. 1; FIG. 6 is a left side elevational view of the shackle of FIG. 1; FIG. 7 is a top plan view of the shackle of FIG. 1; and, FIG. 8 is a bottom plan view of the shackle of FIG. 1. The dashed lines in FIGS. 1–8 represent environment and are for illustrative purposes only and do not constitute part of the claimed design. The phantom lines in FIGS. 1–8 define the border between claimed and unclaimed matter.

1 Claim, 2 Drawing Sheets

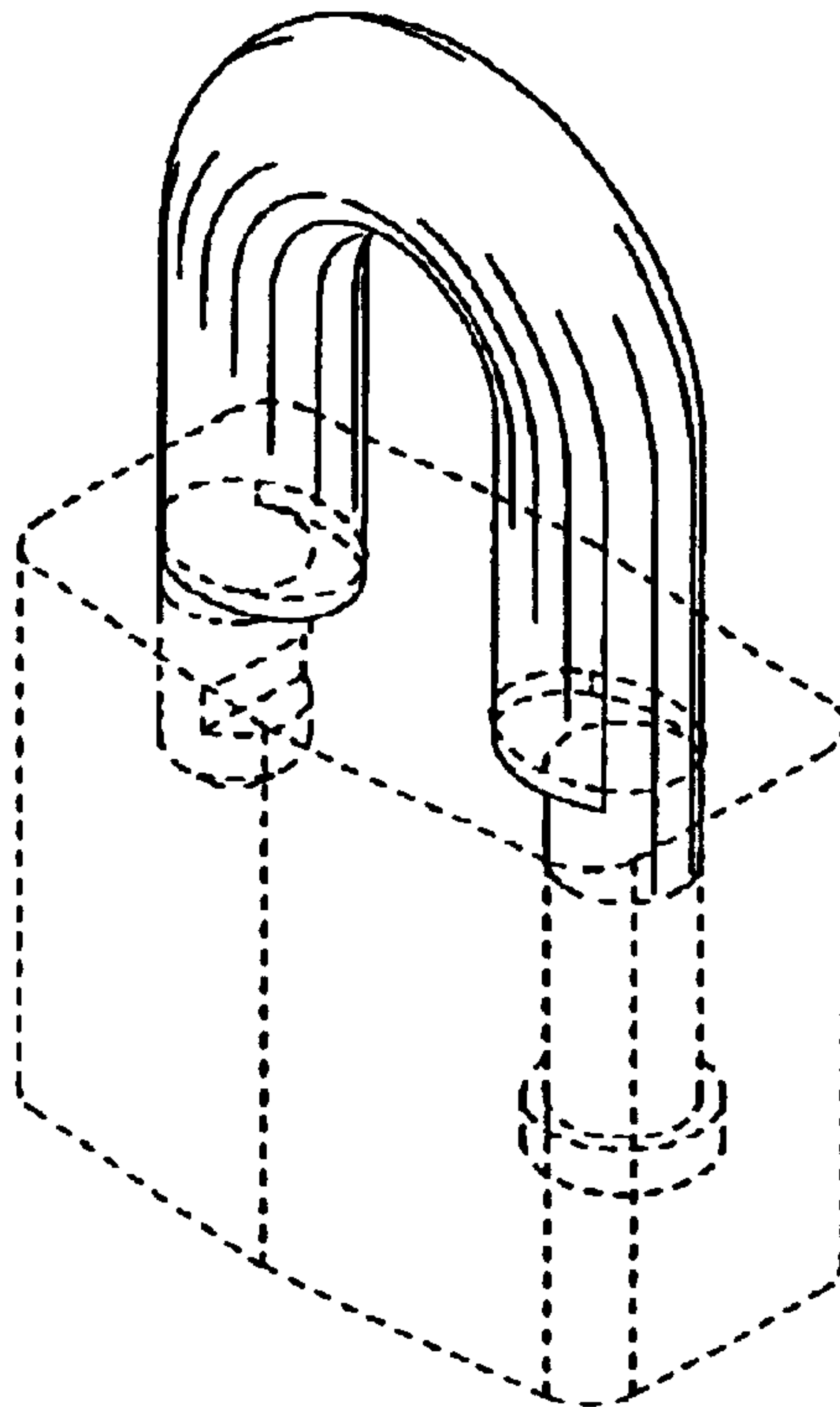


FIG. 1

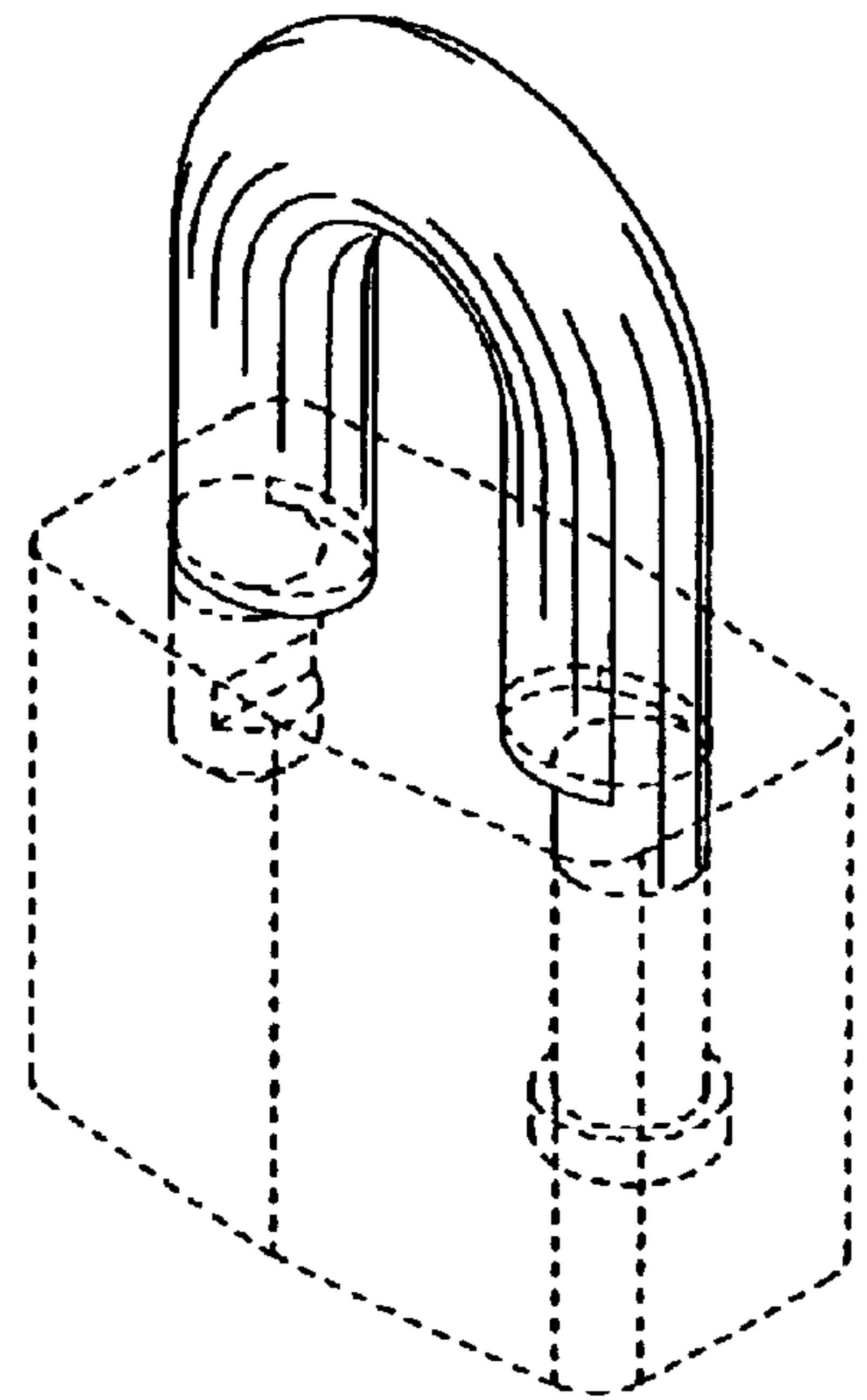


FIG. 2

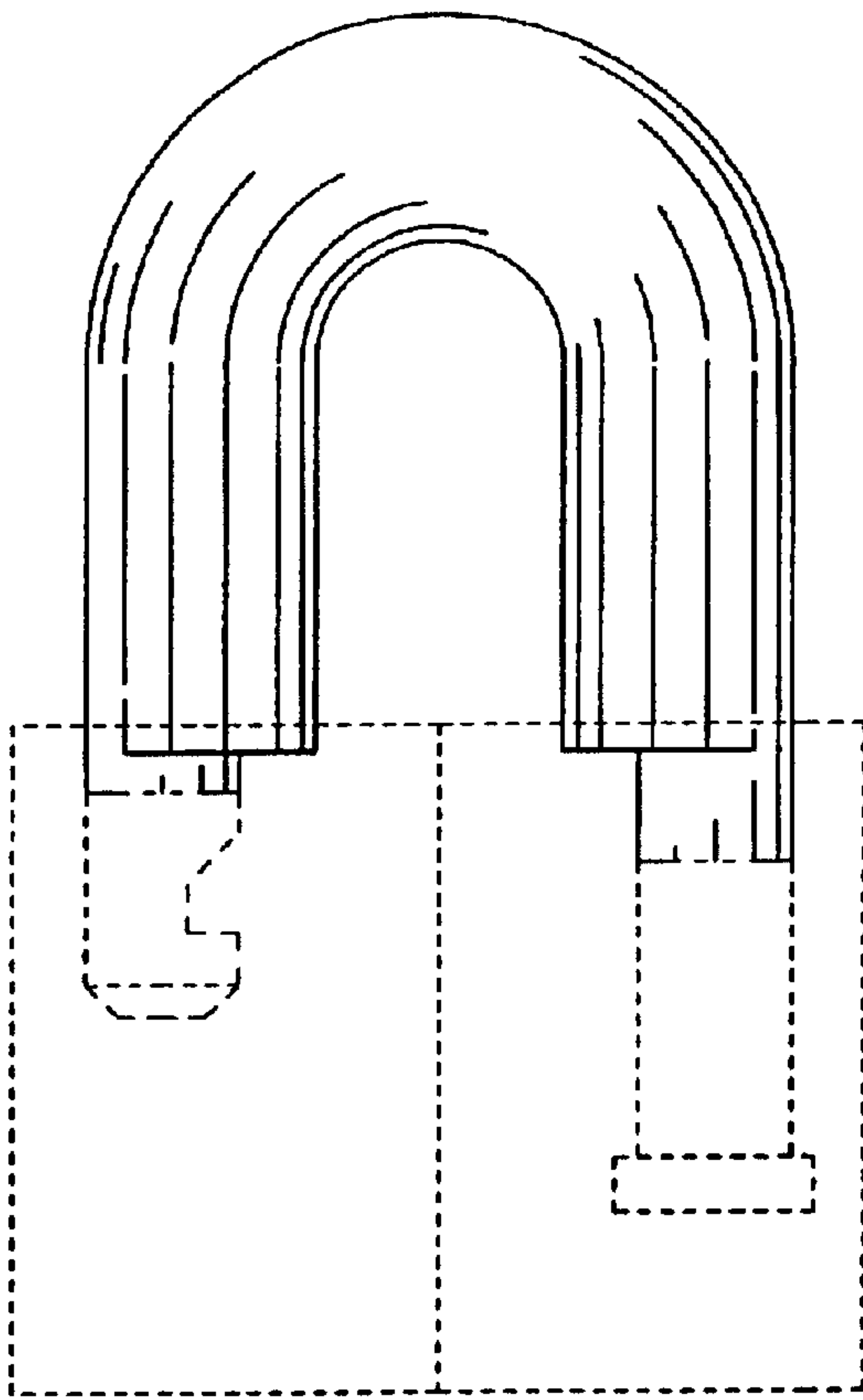


FIG. 3

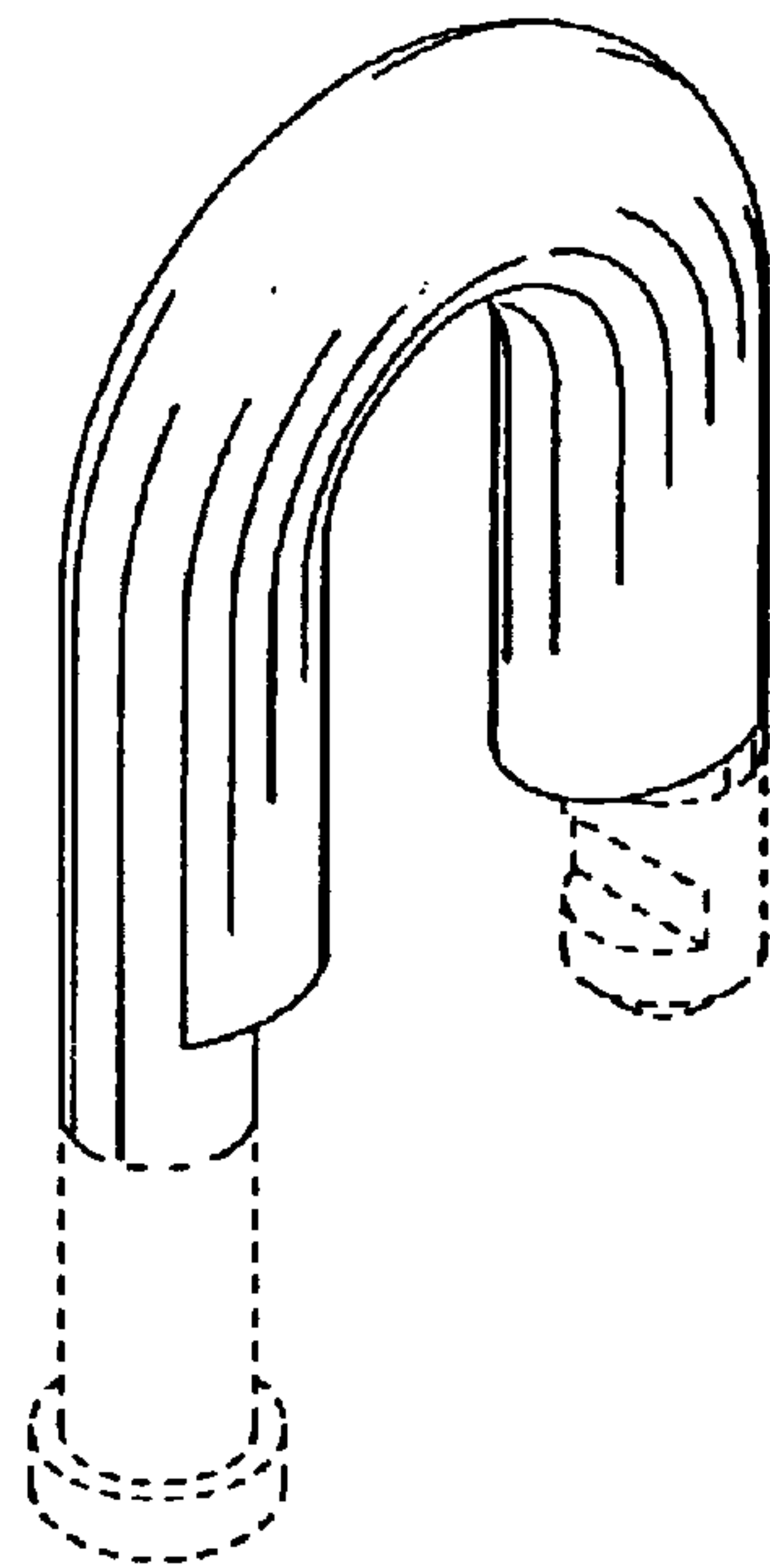


FIG. 4

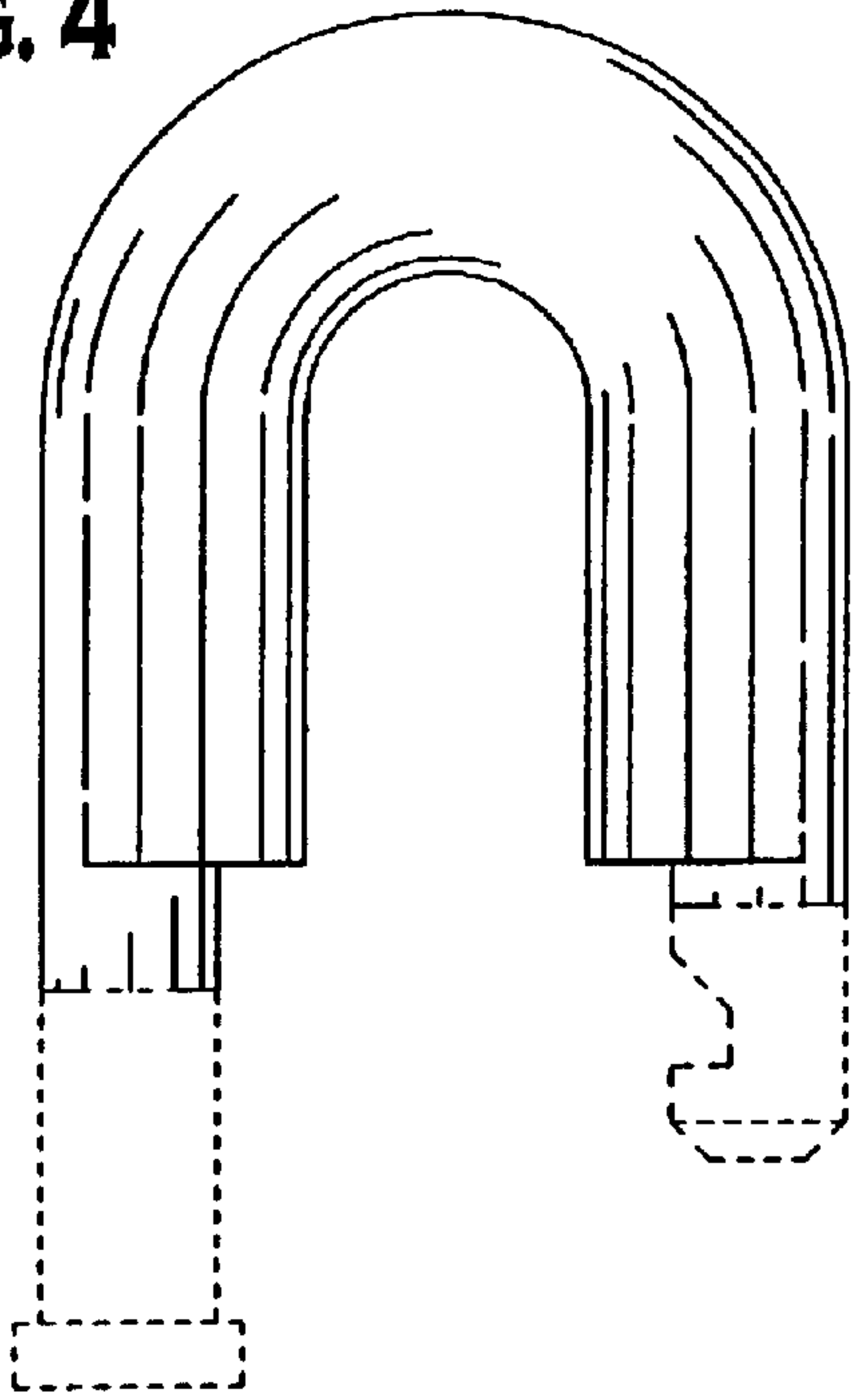


FIG. 5

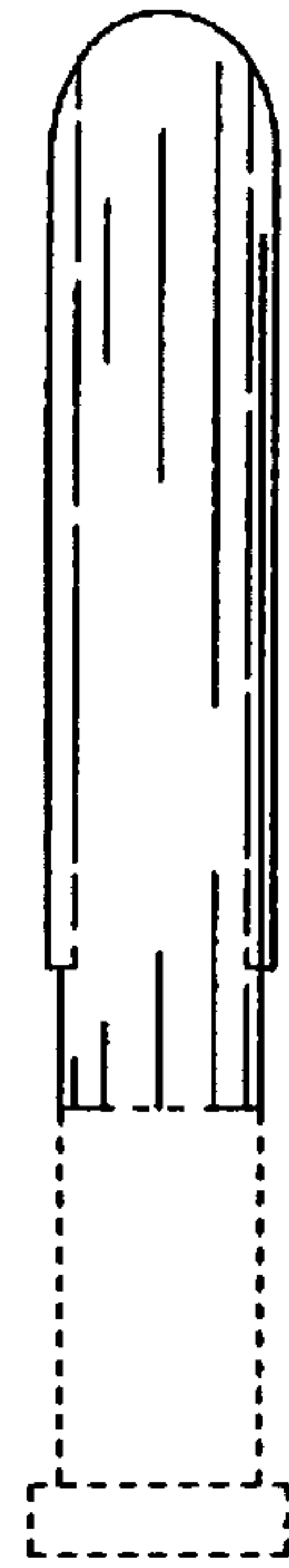


FIG. 6

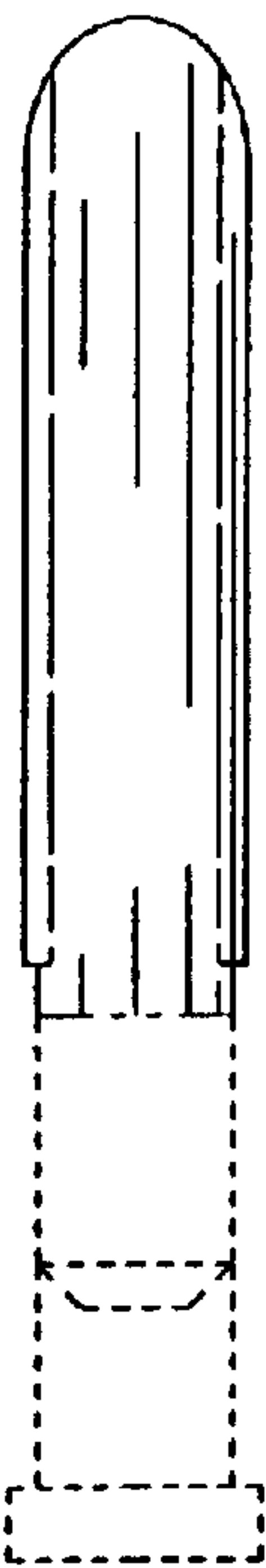


FIG. 7

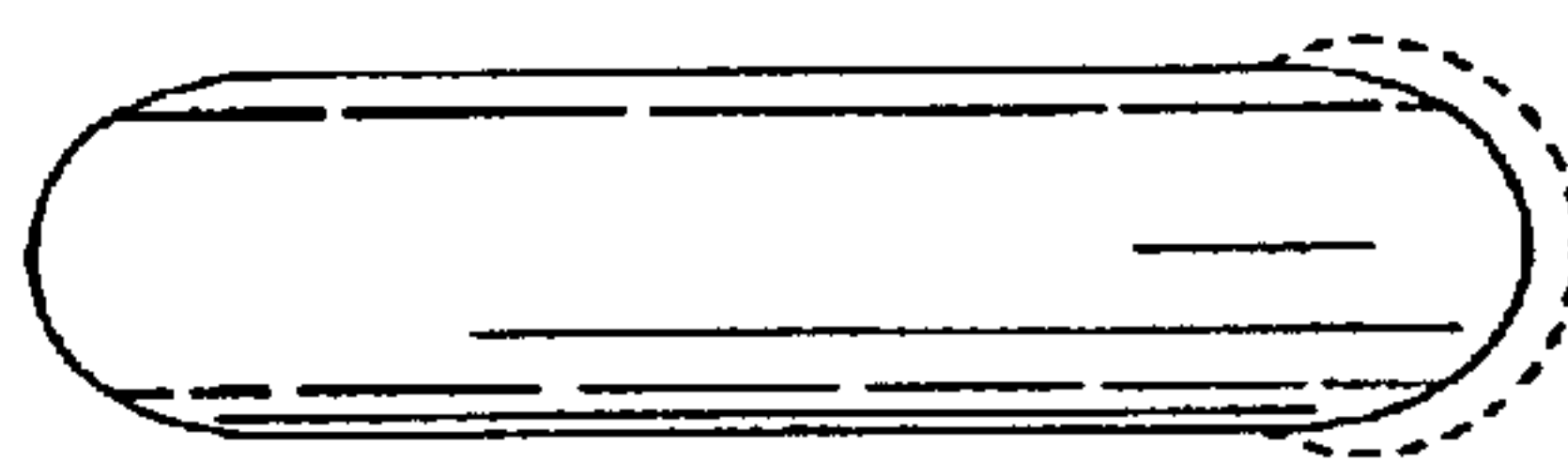


FIG. 8

