



US00D491043S

(12) **United States Design Patent**
Vito

(10) **Patent No.:** **US D491,043 S**

(45) **Date of Patent:** **** Jun. 8, 2004**

(54) **LOCK ASSEMBLY COMPONENT**

DESCRIPTION

(76) Inventor: **Robert A. Vito**, 1434 Sugartown Rd.,
Berwyn, PA (US) 19312

(**) Term: **14 Years**

(21) Appl. No.: **29/169,664**

(22) Filed: **Oct. 23, 2002**

Related U.S. Application Data

(63) Continuation of application No. 29/169,013, filed on Oct.
11, 2002.

(51) **LOC (7) Cl.** **08-07**

(52) **U.S. Cl.** **D8/343**

(58) **Field of Search** D8/330, 331, 336,
D8/339, 343, 344; 70/207, 209, 210, 218,
225, 226, 227, 233, 234, 237, 252, 431,
448, 51-54

(56) **References Cited**

U.S. PATENT DOCUMENTS

153,312 A	7/1874	Broom et al.	
596,237 A *	12/1897	Damon	70/233
1,305,563 A *	6/1919	Poland	70/226
1,337,568 A	4/1920	Shannon et al.	
1,477,777 A	12/1923	Shek	
1,503,210 A	7/1924	Shannon	
3,091,011 A	5/1963	Campbell	
3,678,717 A	7/1972	Eaton	
3,754,418 A	8/1973	Miller	
3,754,420 A	8/1973	Ollerich	
3,800,570 A	4/1974	Kaplan	

(List continued on next page.)

Primary Examiner—Prabhakar Deshmukh
(74) *Attorney, Agent, or Firm*—Volpe and Koenig, P.C.

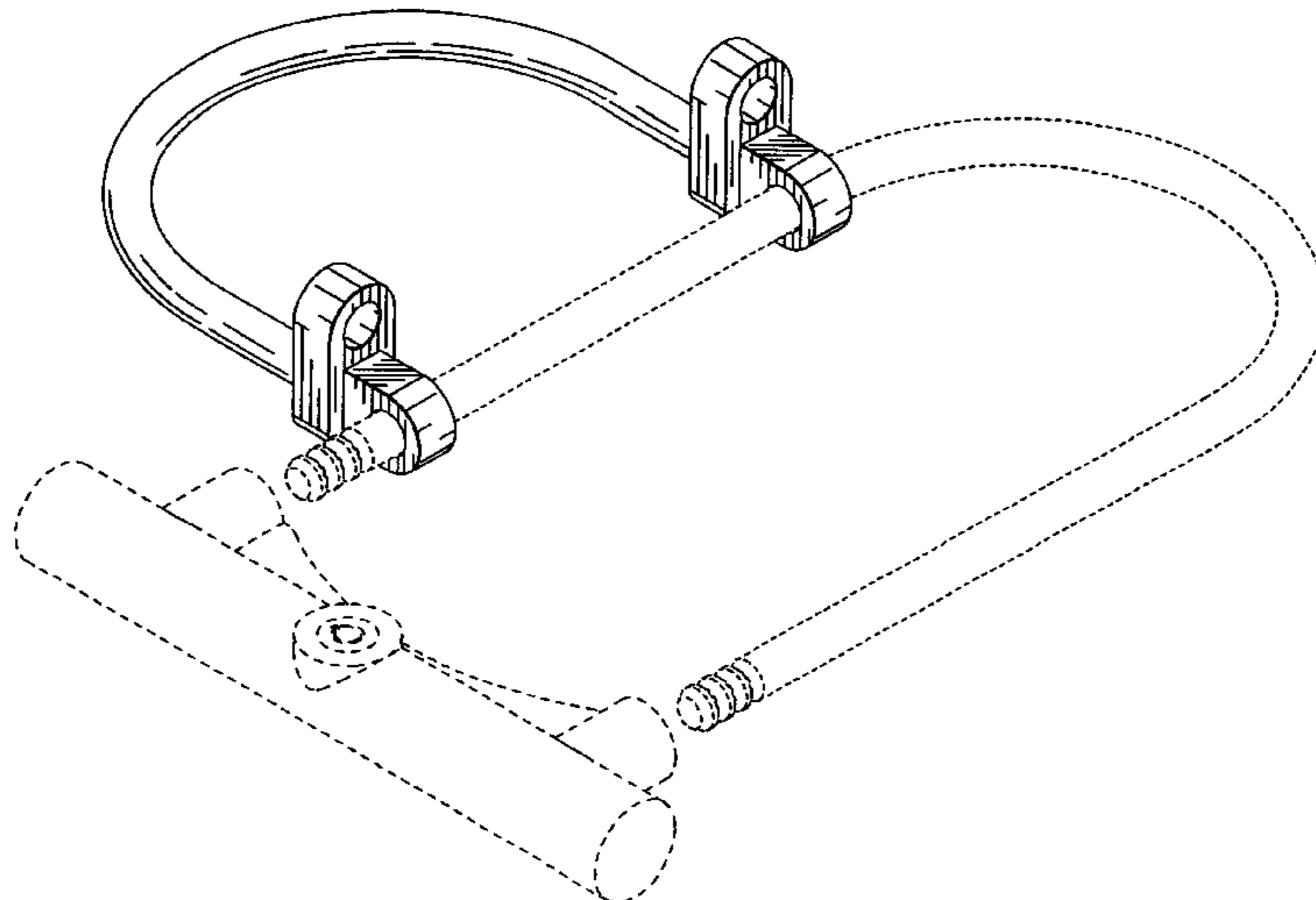
(57) **CLAIM**

The ornamental design for a lock assembly component, as
shown and described.

FIG. 1 is a perspective view of a lock assembly component according to a first preferred embodiment of my new design; FIG. 2 is a second perspective view of the lock assembly component of FIG. 1; FIG. 3 is a third perspective view of the lock assembly component of FIG. 1; FIG. 4 is a left side elevational view of the lock assembly component of FIG. 1, the right side elevational view being a mirror image thereof; FIG. 5 is a front elevational view of the lock assembly component of FIG. 1; FIG. 6 is a rear elevational view of the lock assembly component of FIG. 1; FIG. 7 is a top plan view of the lock assembly component of FIG. 1; FIG. 8 is a bottom plan view of the lock assembly component of FIG. 1; FIG. 9 is a perspective view of a lock assembly component according to a second preferred embodiment of my new design; FIG. 10 is a second perspective view of the lock assembly component of FIG. 9; FIG. 11 is a third perspective view of the lock assembly component of FIG. 9; FIG. 12 is a left side elevational view of the lock assembly component of FIG. 9, the right side elevational view being a mirror image thereof; FIG. 13 is a front elevational view of the lock assembly component of FIG. 9; FIG. 14 is a rear elevational view of the lock assembly component of FIG. 9; FIG. 15 is a top plan view of the lock assembly component of FIG. 9; and, FIG. 16 is a bottom plan view of the lock assembly component of FIG. 9.

The broken lines in FIGS. 1, 2, 9, 10 represent environment and are for illustrative purposes only and do not constitute part of the claimed design.

1 Claim, 6 Drawing Sheets



US D491,043 S

Page 2

U.S. PATENT DOCUMENTS

3,838,585 A	10/1974	Foote	5,675,999 A	10/1997	Carlstrom
3,924,426 A	12/1975	Zane et al.	5,706,679 A	1/1998	Zane et al.
3,959,995 A	6/1976	Fletcher	5,713,225 A *	2/1998	Smith 70/51
4,155,231 A	5/1979	Zane et al.	5,794,462 A	8/1998	Steele et al.
4,719,773 A	1/1988	Alberts	5,901,588 A	5/1999	Frost
4,736,921 A	4/1988	Zane et al.	5,937,678 A	8/1999	Kuo
4,850,207 A	7/1989	Ylven	6,006,555 A	12/1999	Shu-Fen
4,896,519 A	1/1990	Pitts	6,109,074 A	8/2000	Du
5,010,746 A	4/1991	Zane et al.	6,192,720 B1	2/2001	Kan
5,092,142 A	3/1992	Zane et al.	6,263,709 B1	7/2001	Kemery et al.
5,133,568 A	7/1992	Balterman	6,321,961 B1	11/2001	McDaid et al.
5,194,845 A *	3/1993	Sirmon et al. 70/233	6,422,442 B1	7/2002	McDaid et al.
D355,581 S *	2/1995	Zane et al. D8/331	6,430,973 B1	8/2002	Huang
5,440,904 A	8/1995	Su	6,467,315 B1	10/2002	Edmondson
5,505,064 A	4/1996	Wang	D472,450 S *	4/2003	Vito D8/331
5,622,066 A *	4/1997	Shallis 70/51	6,619,084 B2 *	9/2003	Kuo 70/233
5,647,520 A	7/1997	McDaid			

* cited by examiner

FIG. 1

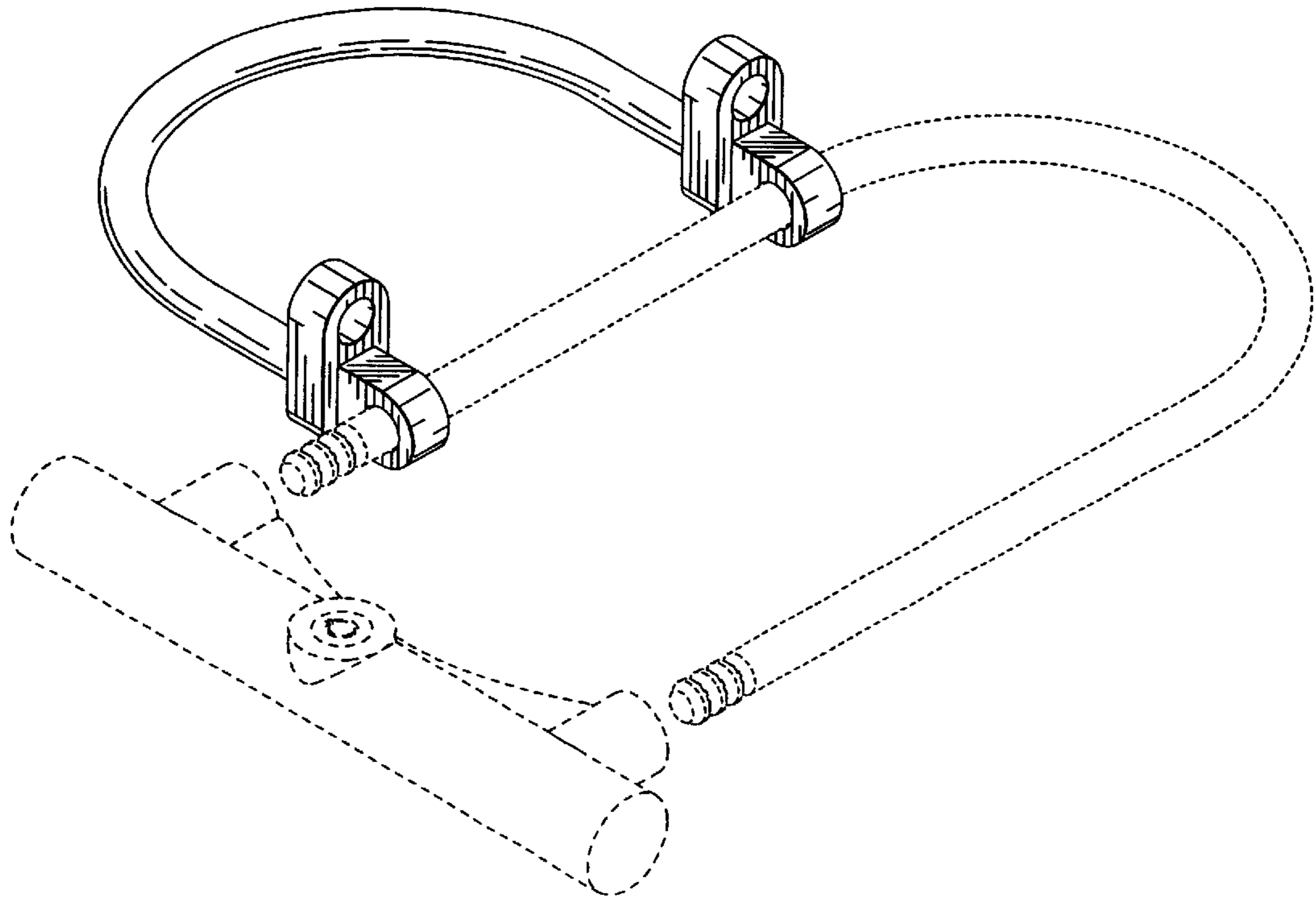
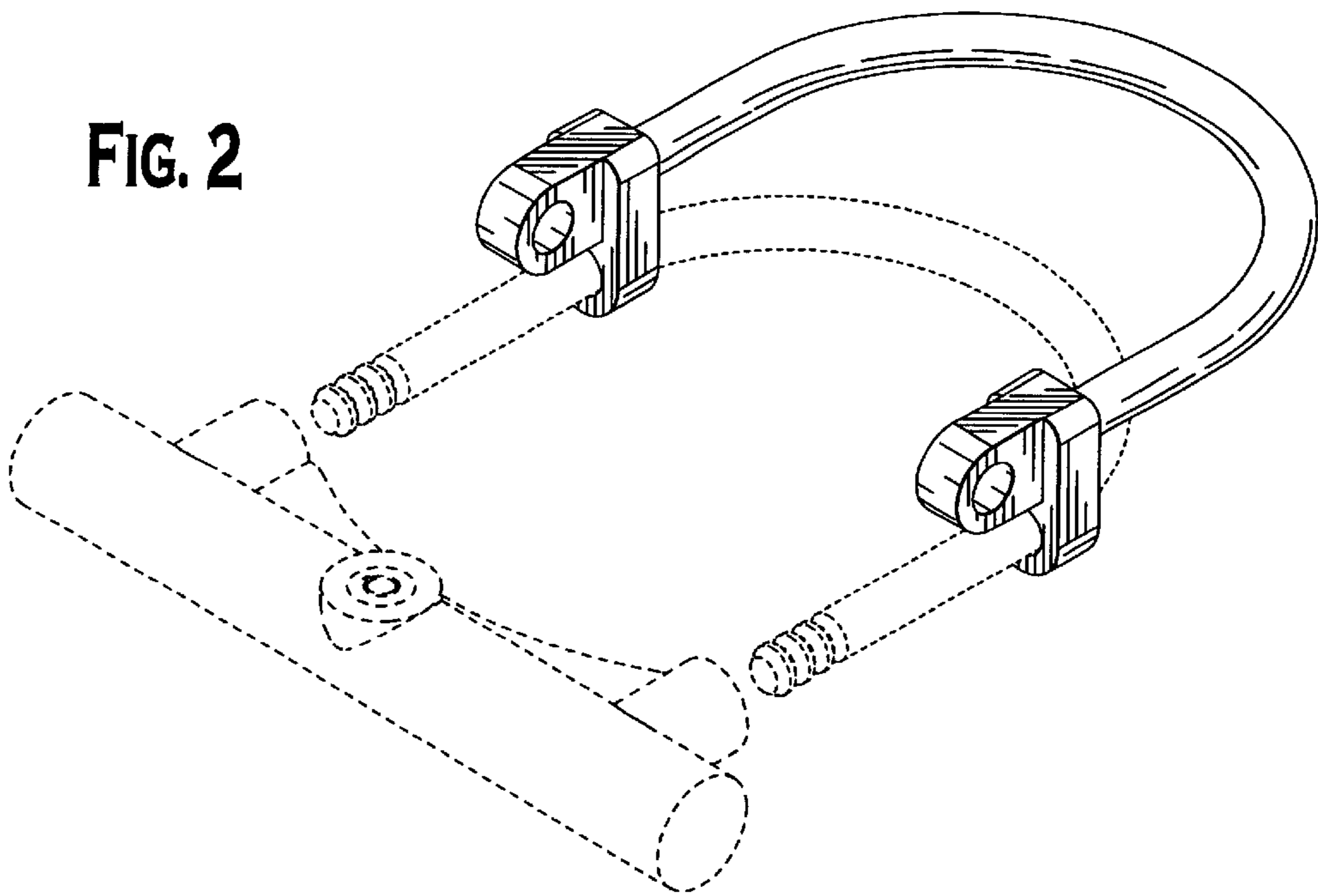


FIG. 2



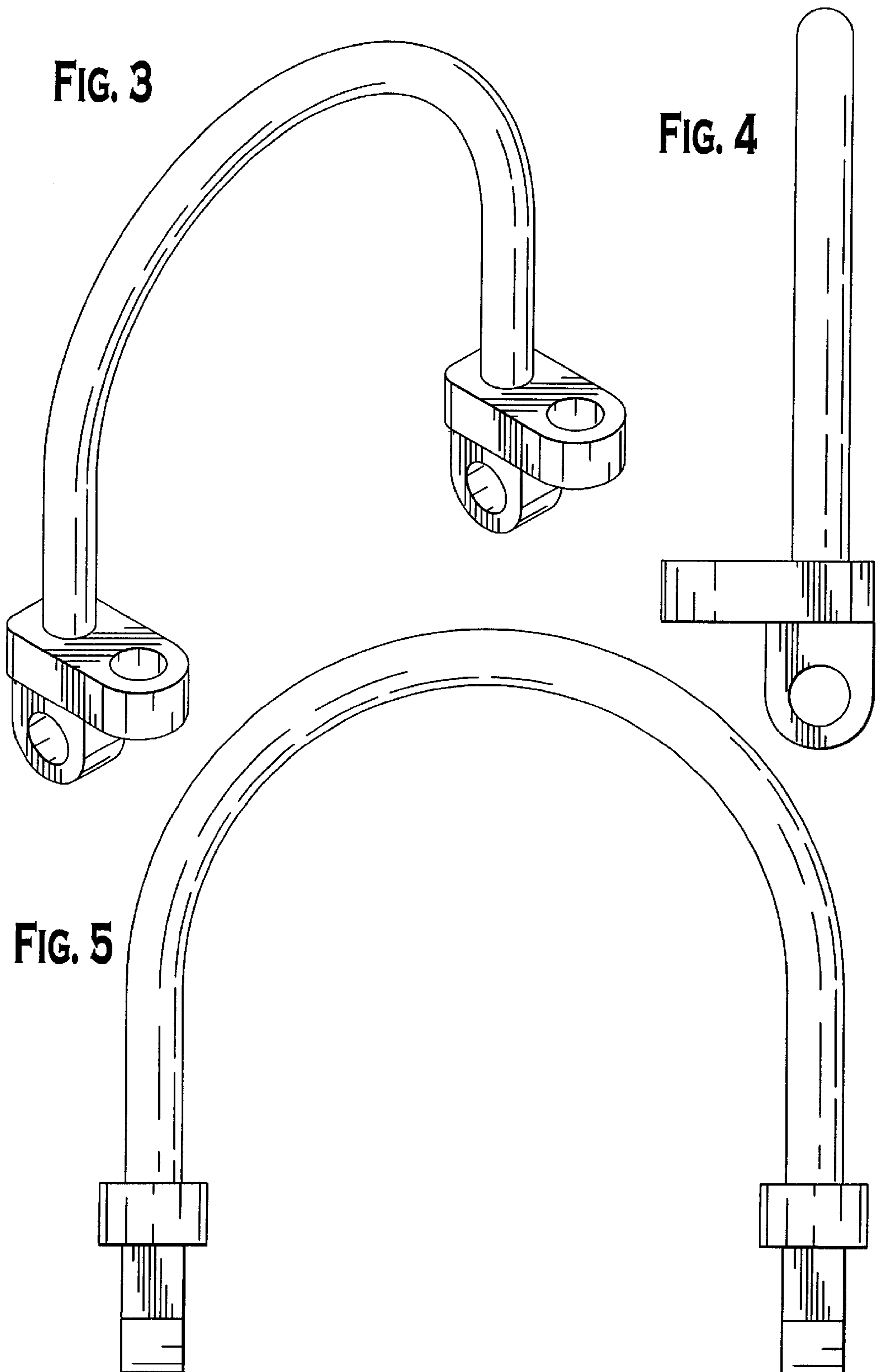


FIG. 6

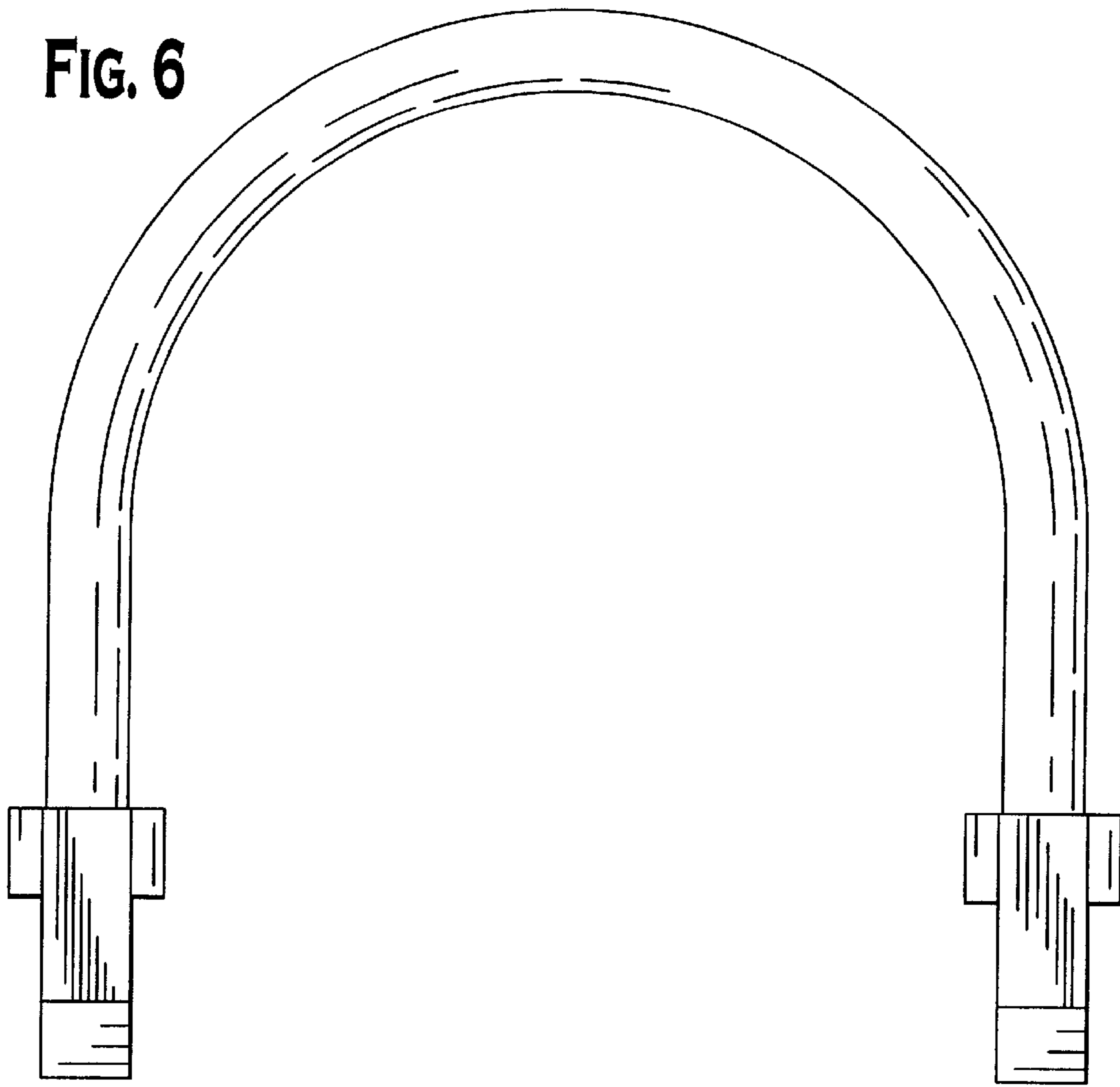


FIG. 7

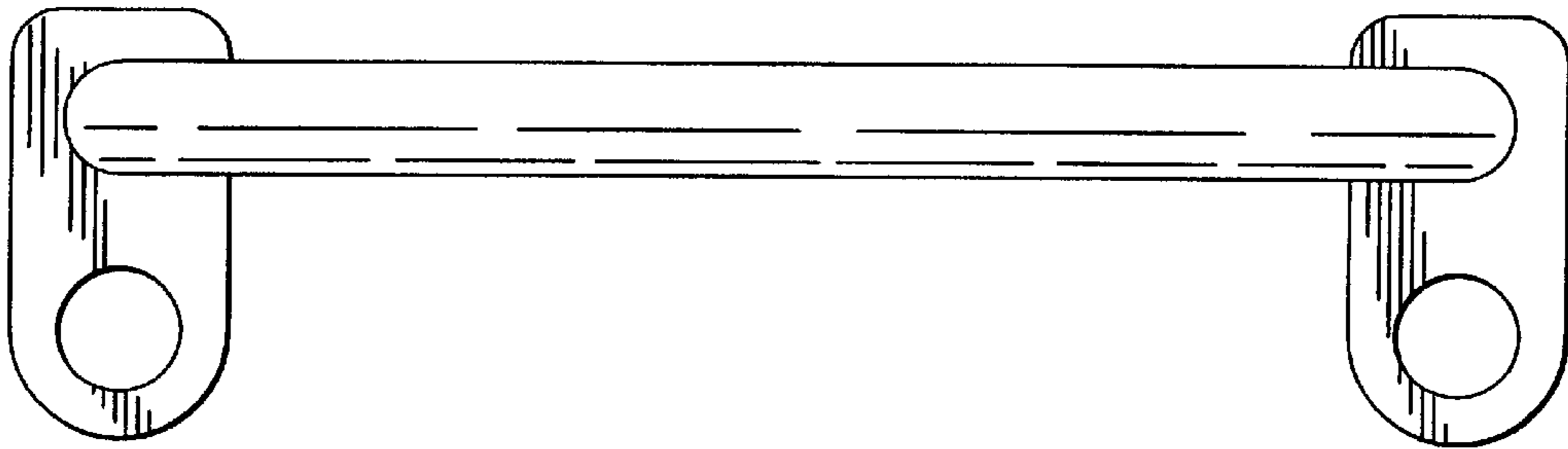


FIG. 8

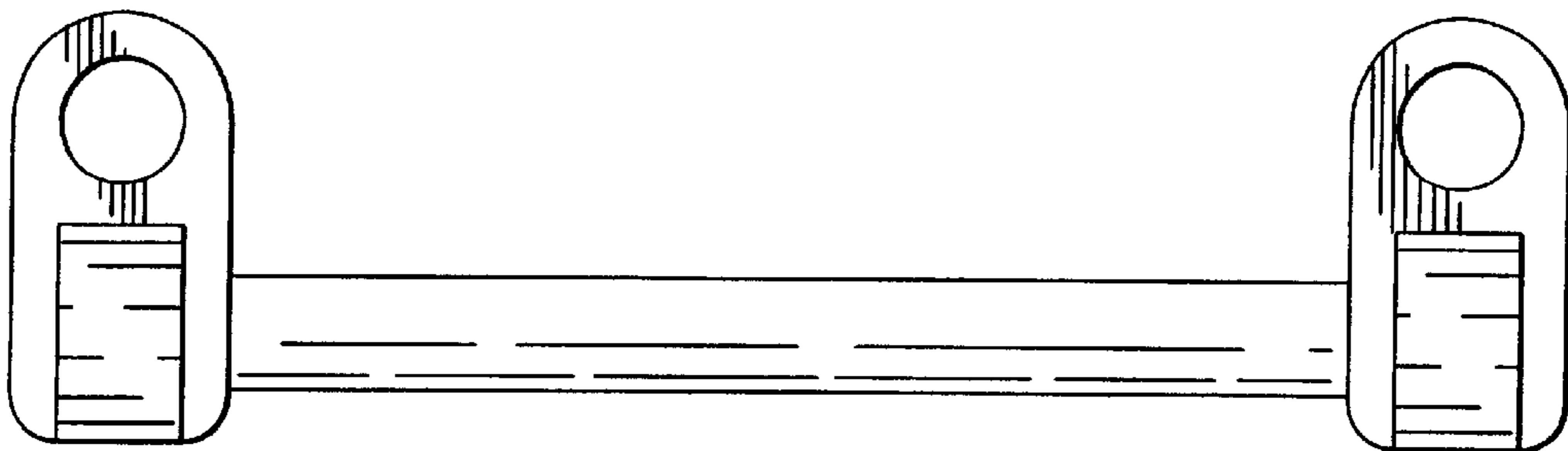


FIG. 9

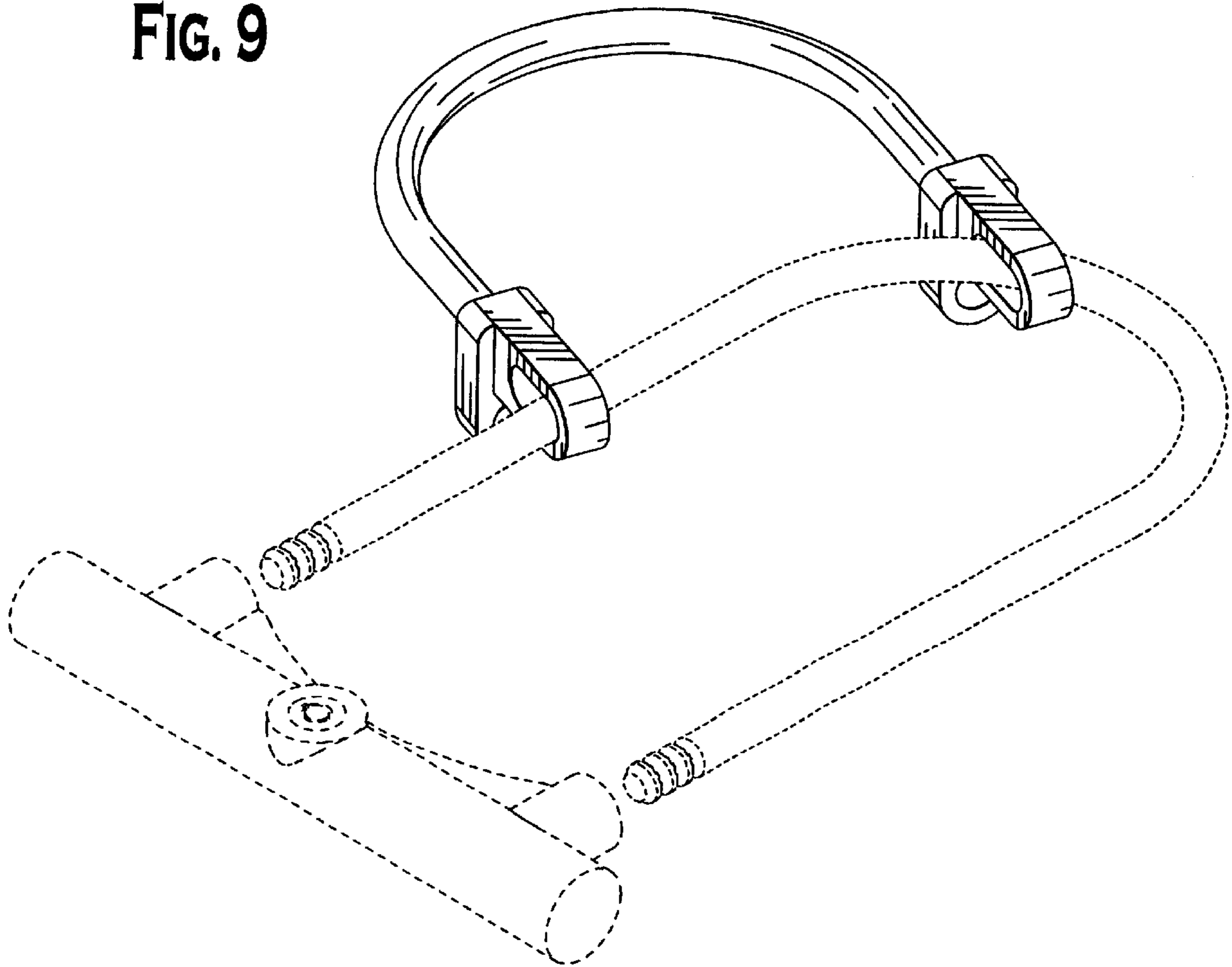


FIG. 10

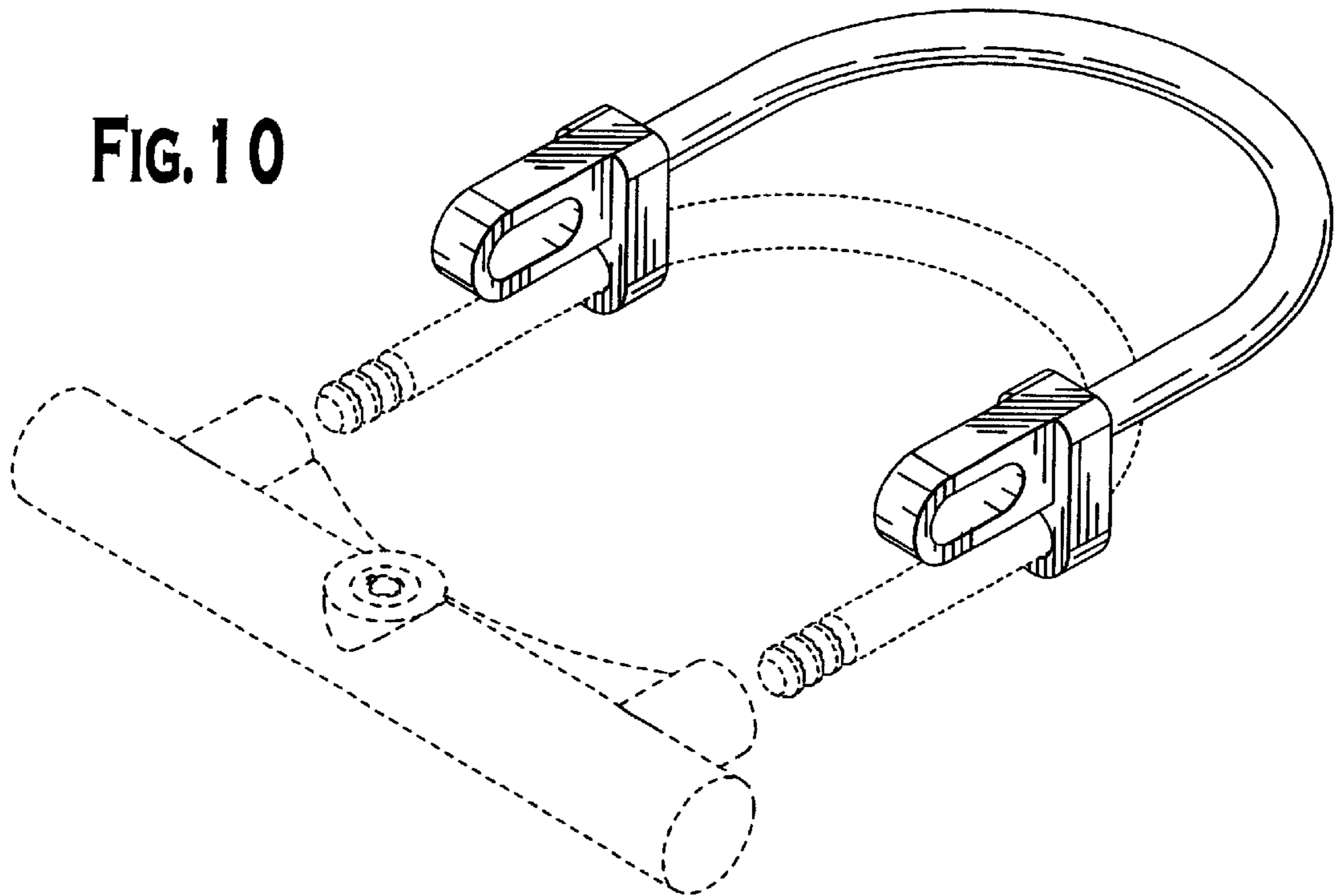


FIG. 11

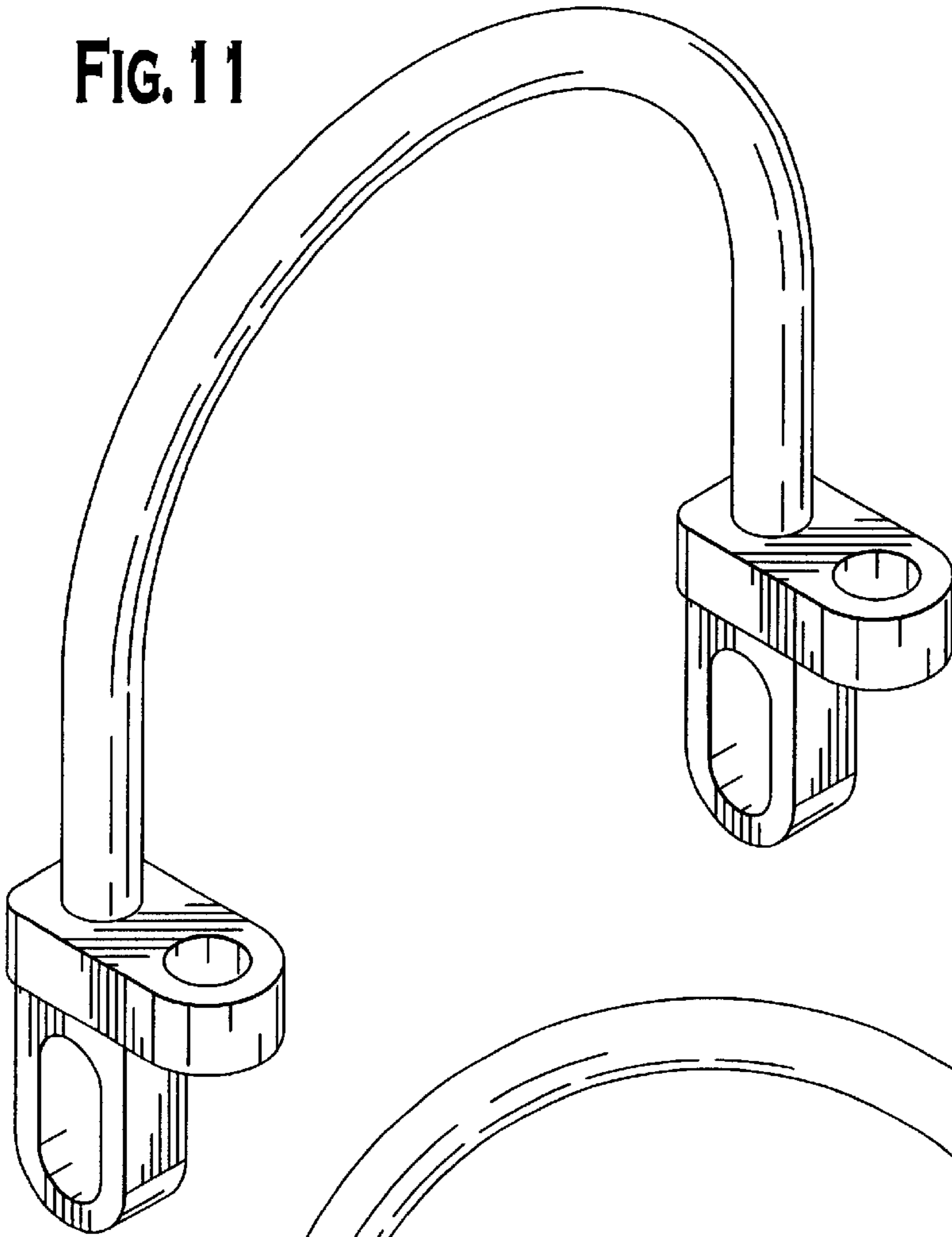


FIG. 12

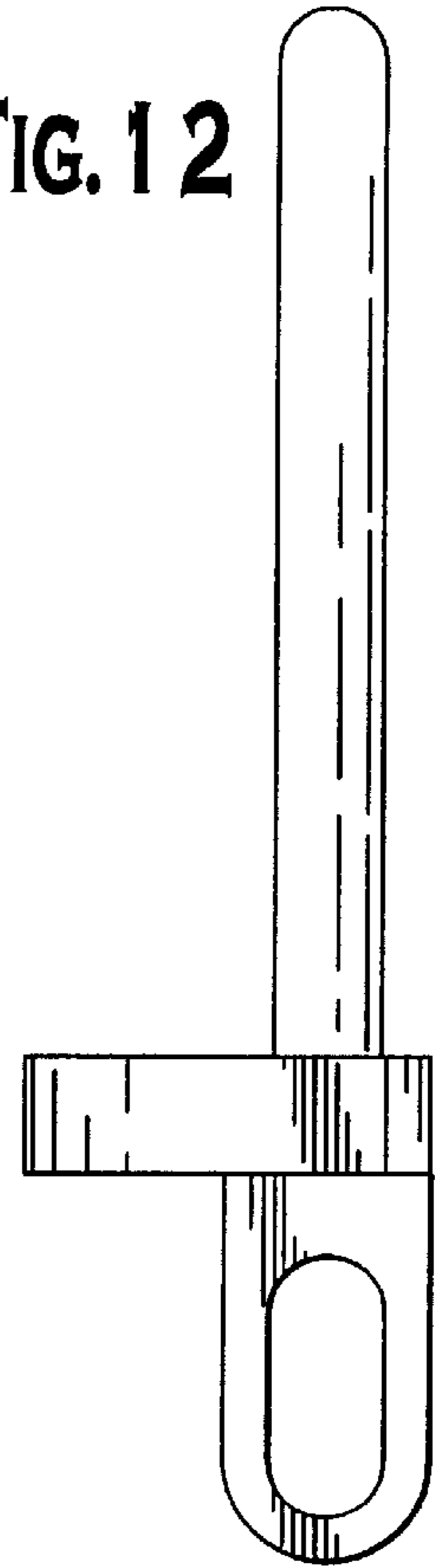


FIG. 13

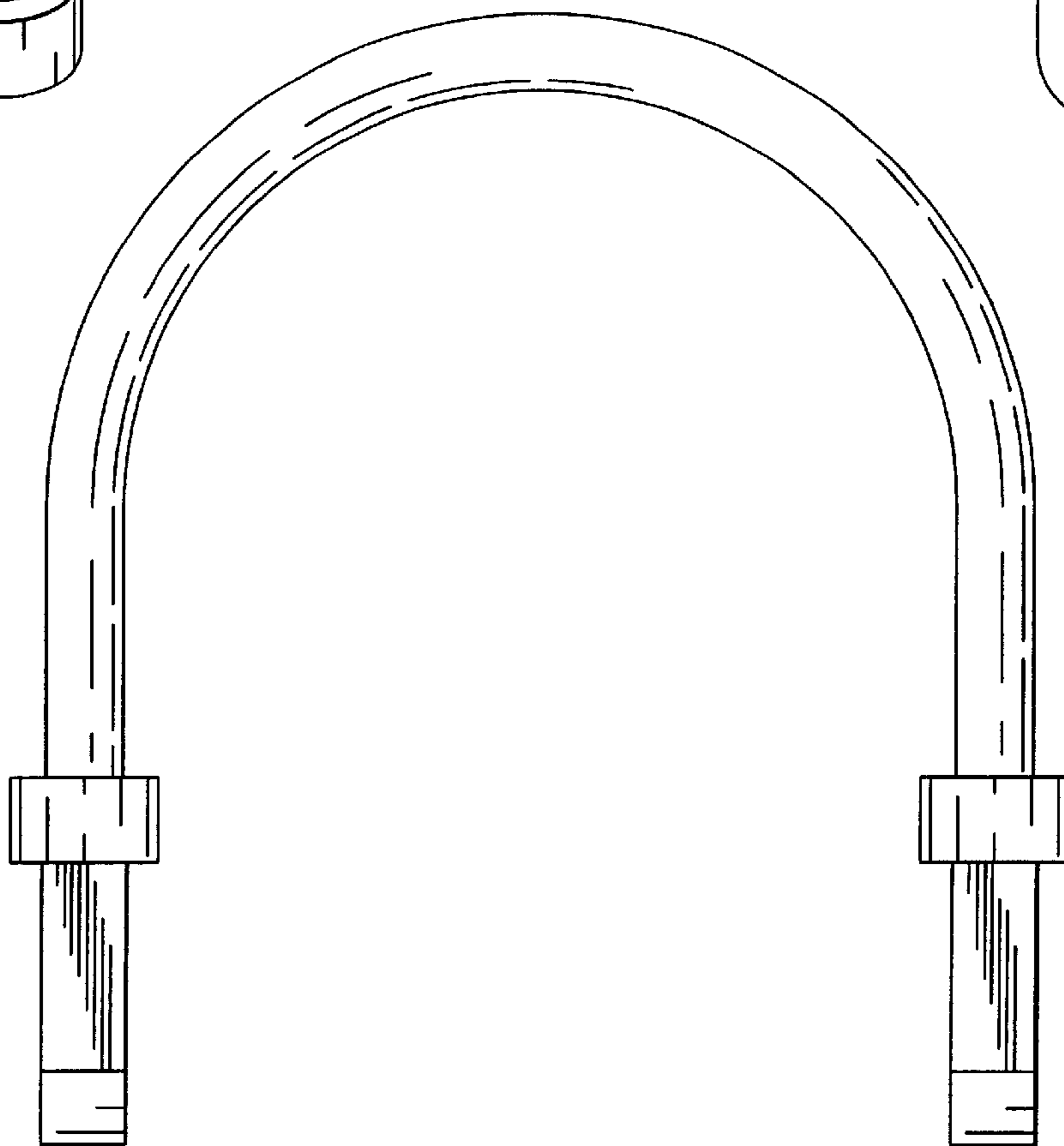


FIG. 14

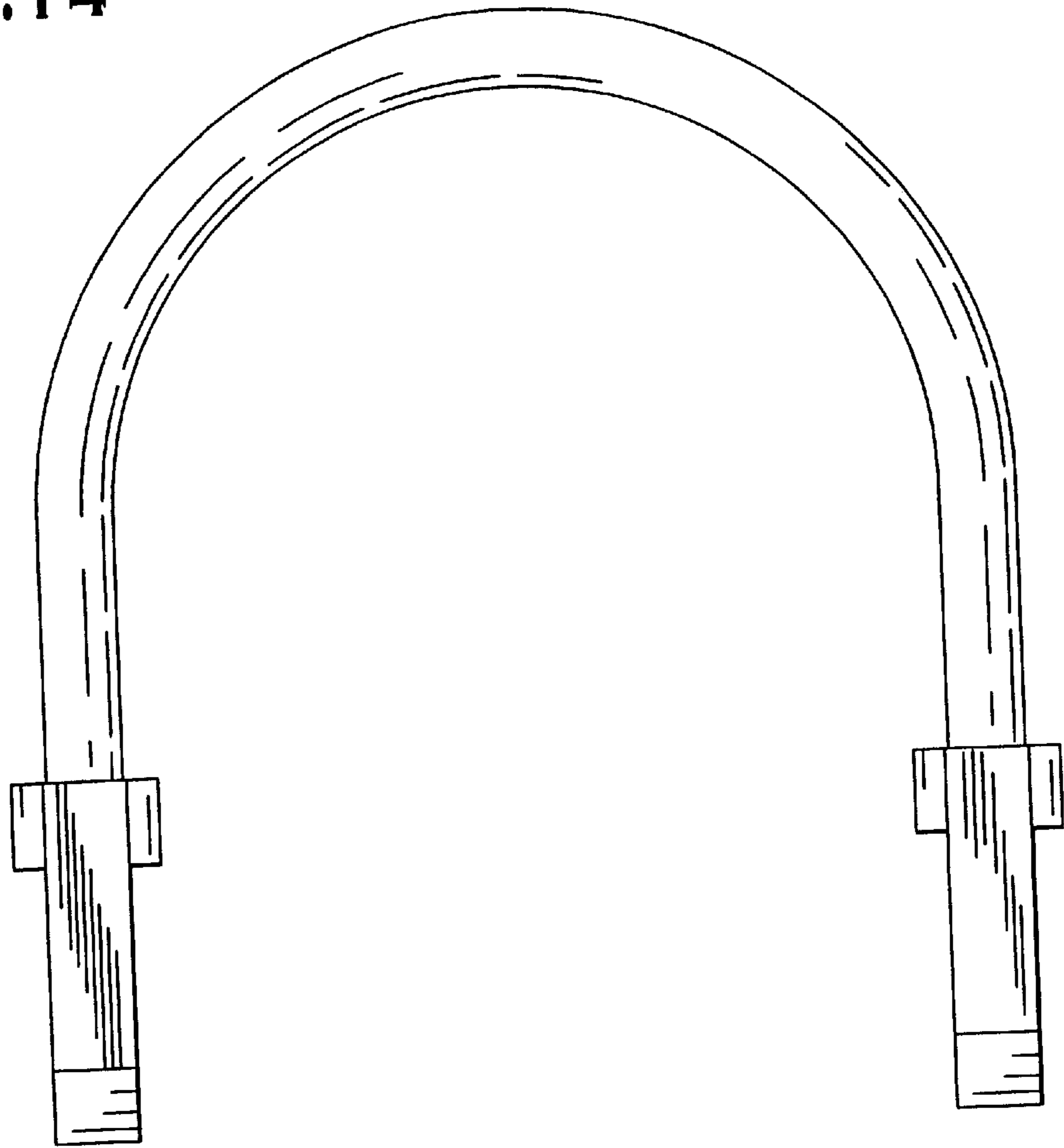


FIG. 15

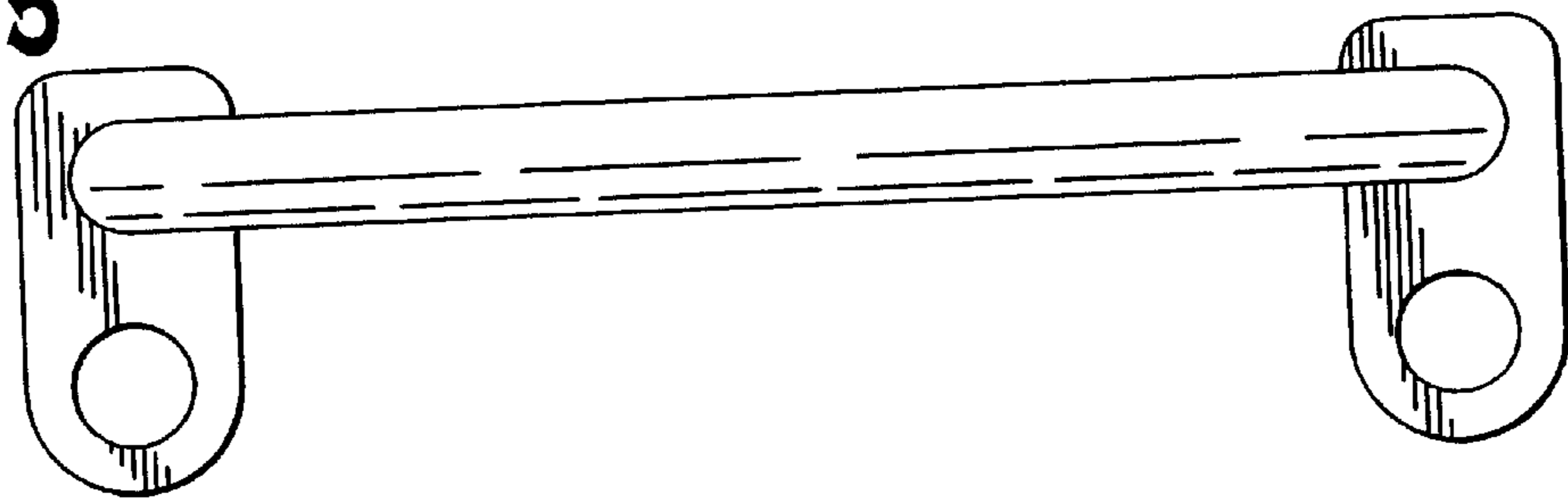


FIG. 16

