



US00D491040S

(12) **United States Design Patent**
Reed

(10) **Patent No.:** **US D491,040 S**

(45) **Date of Patent:** **** Jun. 8, 2004**

(54) **INDUSTRIAL WINDOWED KEY DROP LOCK BOX**

(76) **Inventor:** **Terry L. Reed**, 805 Rollin St., Edgerton, WI (US) 53534

(**) **Term:** **14 Years**

(21) **Appl. No.:** **29/185,507**

(22) **Filed:** **Jun. 27, 2003**

(51) **LOC (7) Cl.** **08-07**

(52) **U.S. Cl.** **D8/330; D8/343; D8/344**

(58) **Field of Search** **D8/330, 331, 343, D8/344, 346, 347; 70/14, 57, 58, 78, 63, 158, 139, 429, 430, 431, 448; 206/37.1-37.3**

(56) **References Cited**

U.S. PATENT DOCUMENTS

2,485,051	A	10/1949	Joslin	70/456
4,112,717	A	* 9/1978	Bradley	70/63
D265,264	S	6/1982	Yeh	D99/33
4,334,620	A	6/1982	Block	211/13
D275,055	S	* 8/1984	Davis	D99/28
4,468,940	A	* 9/1984	Davis	70/63
4,660,902	A	* 4/1987	Resendez, Jr.	312/114
D297,195	S	8/1988	Warwicker	D6/559
4,799,587	A	* 1/1989	Desanto	206/37.6
D311,177	S	* 10/1990	Peters, III	D14/308
4,979,625	A	12/1990	Johnson et al.	211/13

5,191,974	A	3/1993	Saalman	206/37.6
D335,377	S	5/1993	Speciale	D99/28
D336,418	S	* 6/1993	Carter	D8/330
D358,540	S	* 5/1995	Trempala	D8/330
D390,327	S	2/1998	Warnelov	D99/28
D399,408	S	* 10/1998	Hill	D8/330
6,422,671	B1	7/2002	Lodge et al.	312/245

* cited by examiner

Primary Examiner—Prabhakar Deshmukh
(74) *Attorney, Agent, or Firm*—Whyte Hirschboeck Dudek SC

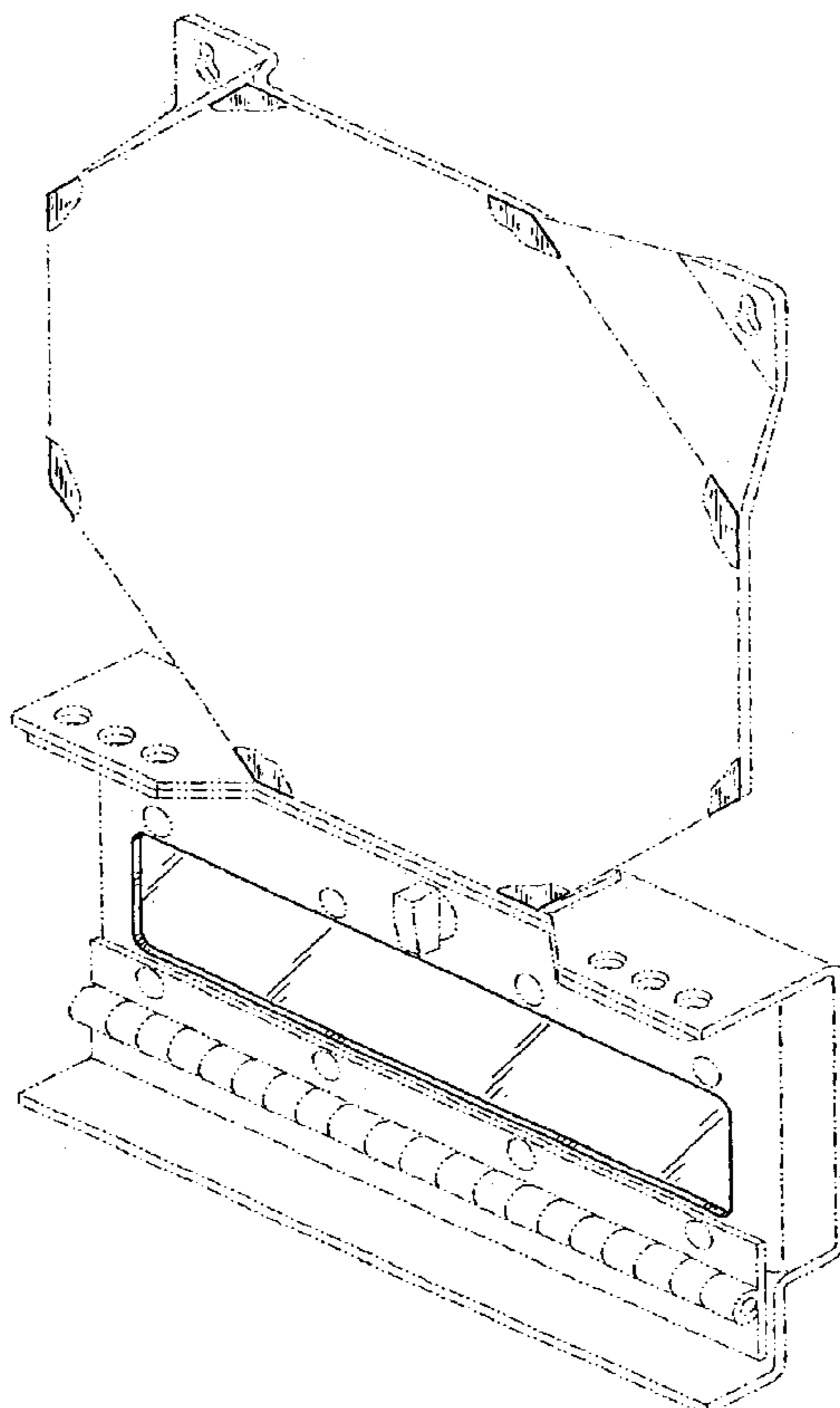
(57) **CLAIM**

The ornamental design for an industrial windowed key drop lock box, as shown and described.

DESCRIPTION

FIG. 1 is a perspective view of an industrial windowed key drop lock box showing my new design; FIG. 2 is a front elevational view thereof; FIG. 3 is a right side elevational view thereof, with the left side being a mirror image; FIG. 4 is a top plan view thereof; and, FIG. 5 is a rear view thereof. The broken lines are for illustrative purpose only and form no part of the claimed design. The broken lines which define the bounds of the claimed design form no part thereof.

1 Claim, 4 Drawing Sheets



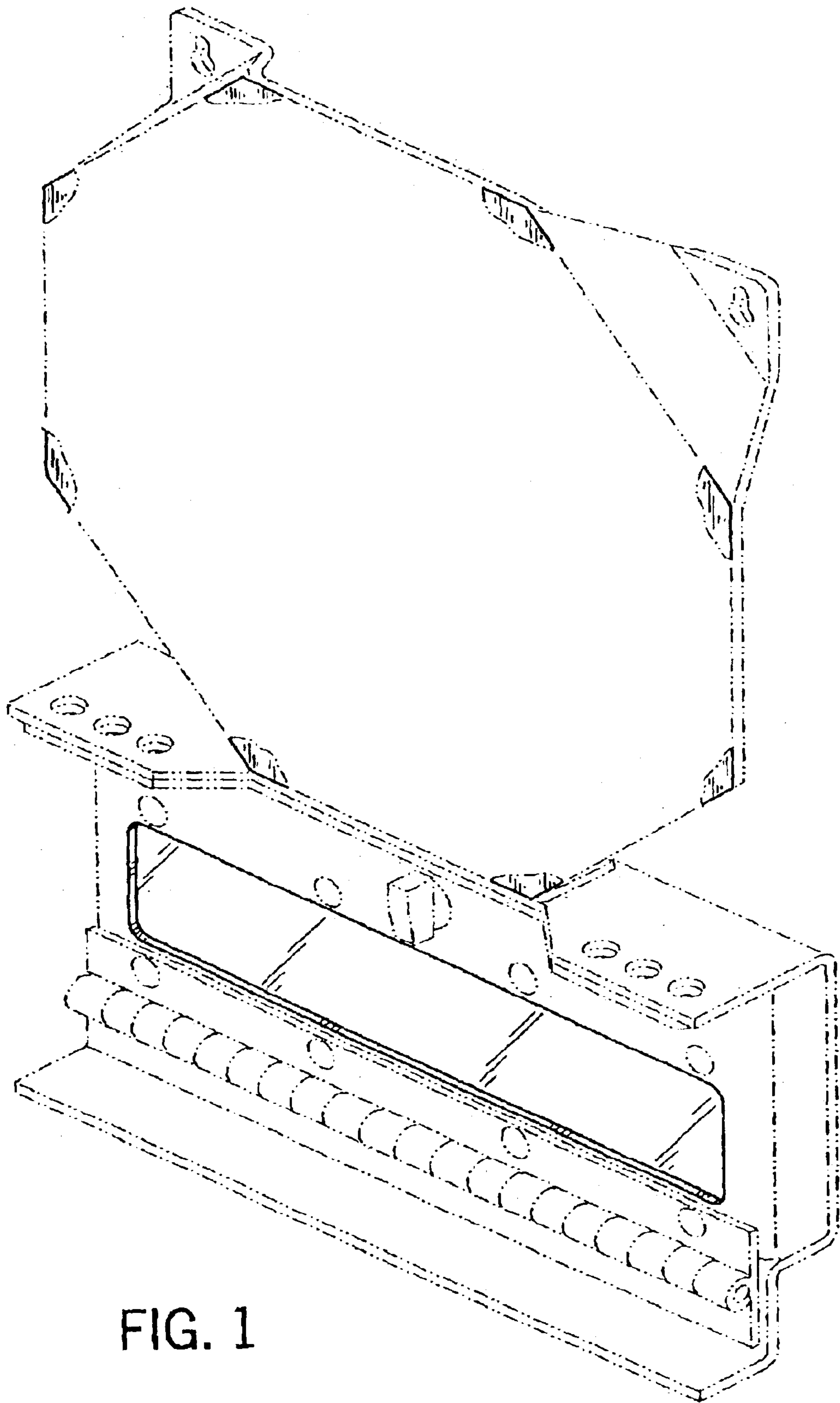


FIG. 1

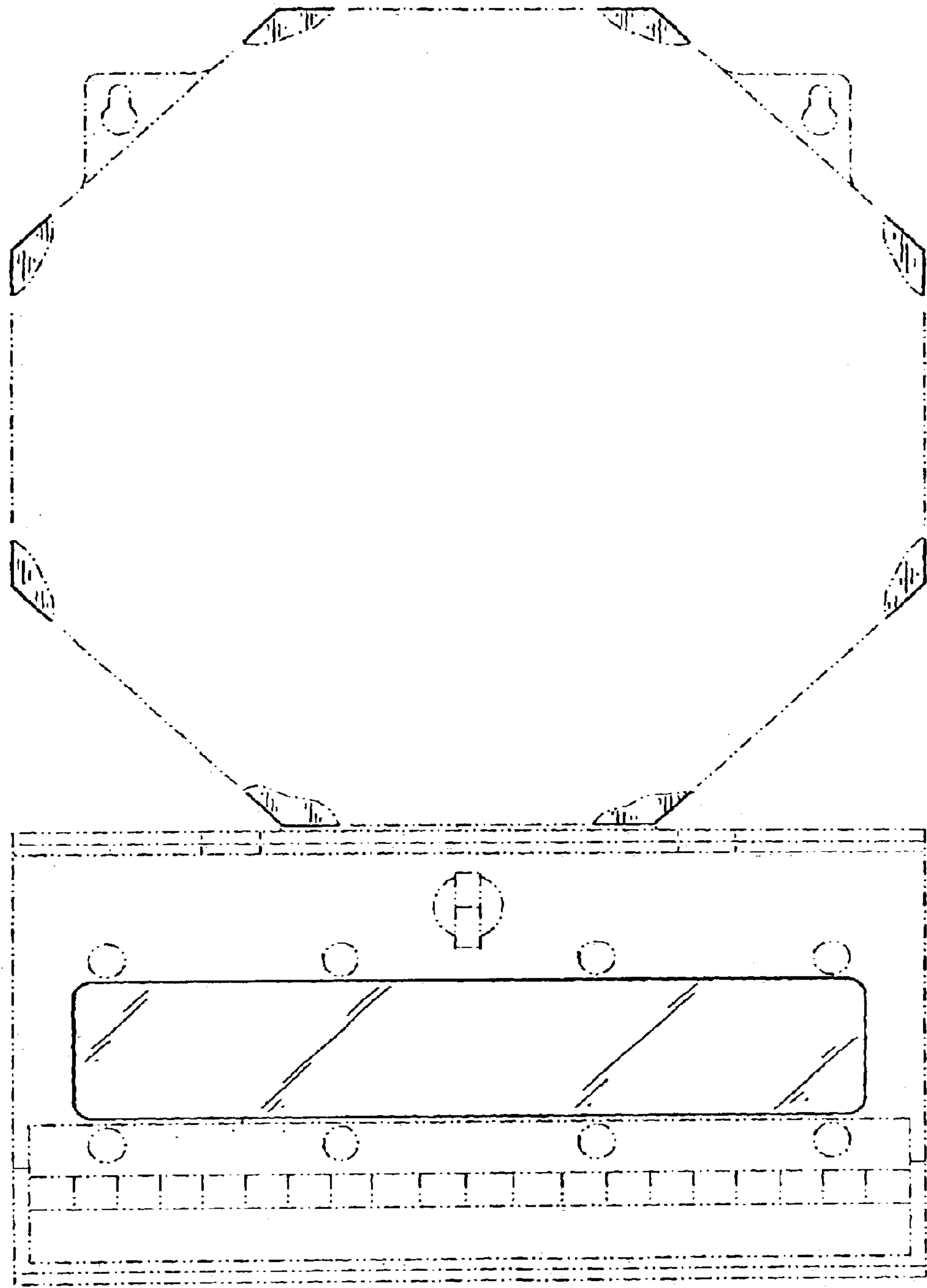


FIG. 2

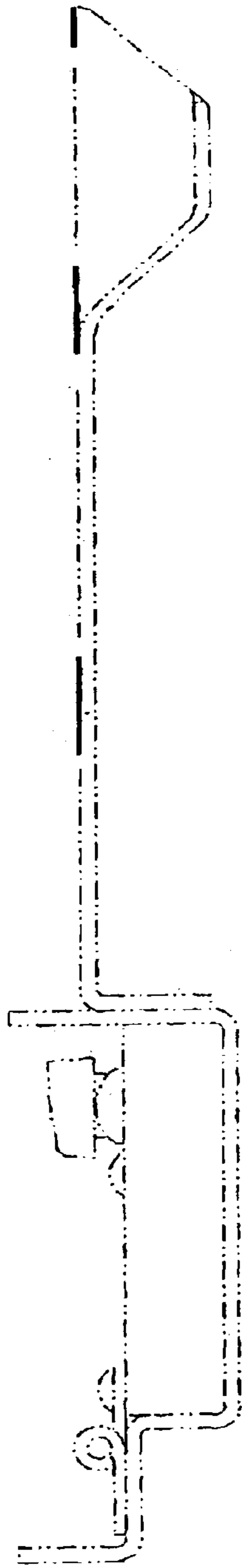


FIG. 3

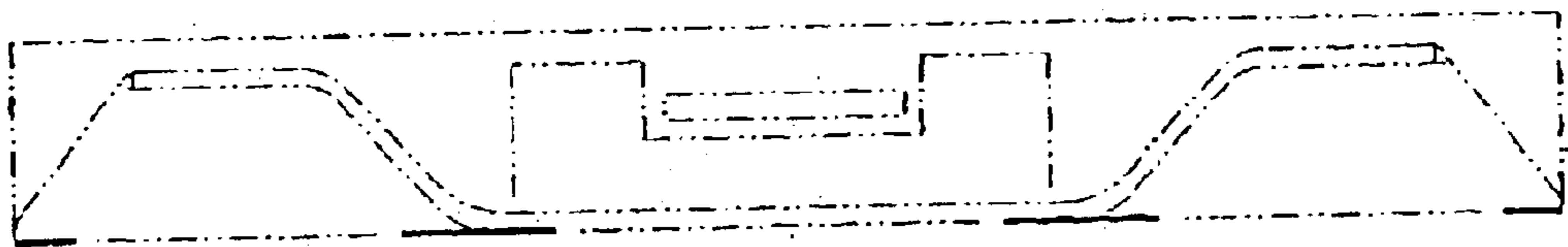


FIG. 4

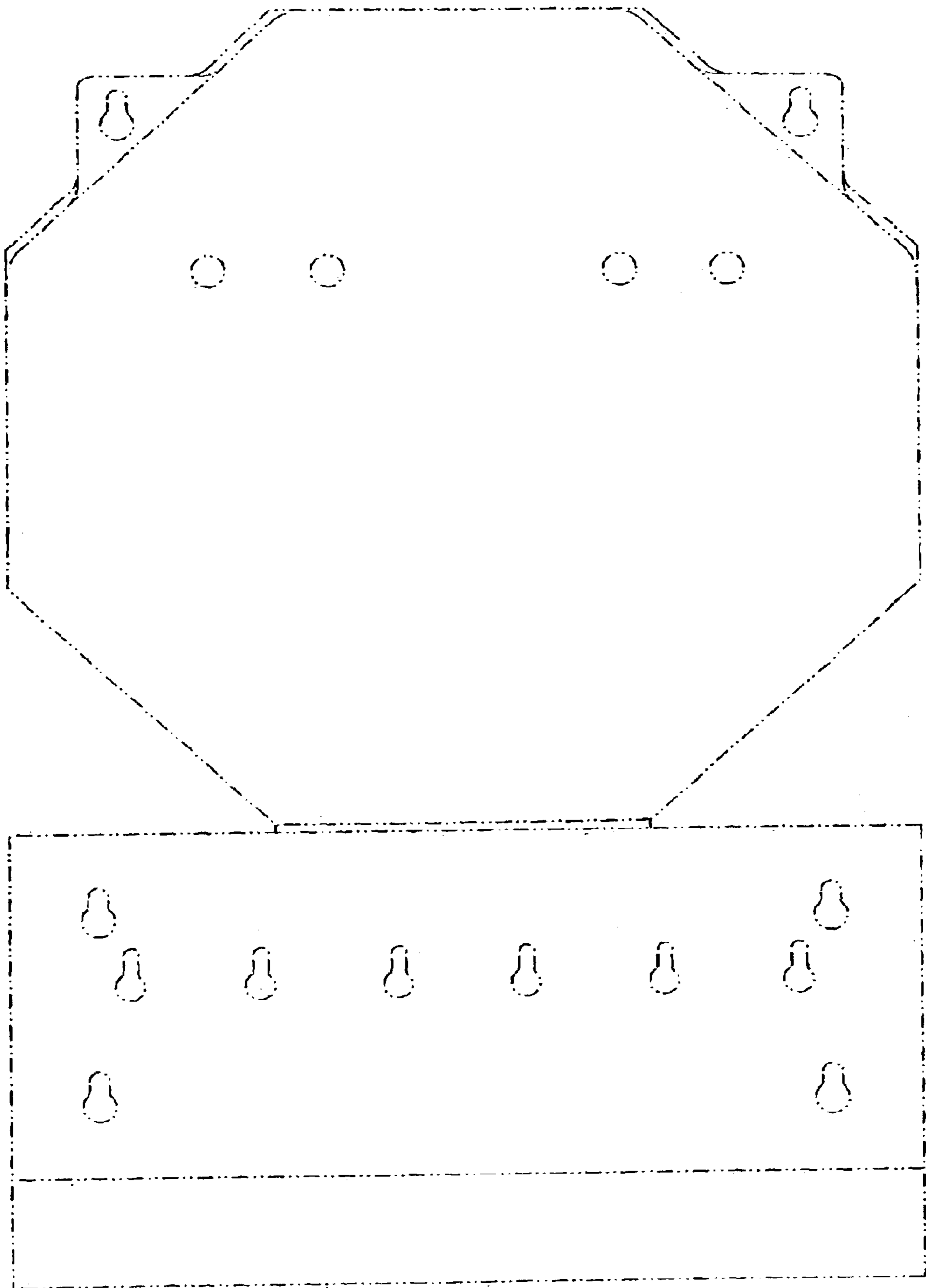


FIG. 5