



US00D491036S

(12) **United States Design Patent**
Wang

(10) **Patent No.:** **US D491,036 S**

(45) **Date of Patent:** **** Jun. 8, 2004**

(54) **PNEUMATIC HAMMER**

(76) **Inventor:** **Kuan Lin Wang**, 11F-2, No. 43, Chai-l Street, Taichung City (TW)

(**) **Term:** **14 Years**

(21) **Appl. No.:** **29/148,587**

(22) **Filed:** **Sep. 24, 2001**

(51) **LOC (7) Cl.** **08-02**

(52) **U.S. Cl.** **D8/69; D8/68**

(58) **Field of Search** D8/61, 62, 63, D8/64, 65, 66, 67, 68, 69, 70, 107; 81/57.11, 429, 464, 465, 466, 469, 489; 173/13, 169, 178, 213, 217; 227/8, 114, 120, 130, 136, 142; 310/50; 408/20, 124, 125, 234, 241 R; 451/358

D402,873 S	*	12/1998	Warner et al.	D8/69
D403,221 S	*	12/1998	Warner et al.	D8/69
D415,399 S	*	10/1999	Goforth et al.	D8/69
5,967,396 A	*	10/1999	Chuang	227/120
D417,830 S	*	12/1999	Yang	D8/69
D431,989 S	*	10/2000	Lai	D8/83
D433,908 S	*	11/2000	Kaiser	D8/69
D434,628 S	*	12/2000	Etter et al.	D8/69
6,325,268 B1	*	12/2001	Liang	227/123

* cited by examiner

Primary Examiner—Doris V. Coles

Assistant Examiner—T. Chase Nelson

(74) *Attorney, Agent, or Firm*—Charles E. Baxley

(57) **CLAIM**

The ornamental design for a pneumatic hammer, as shown and described.

DESCRIPTION

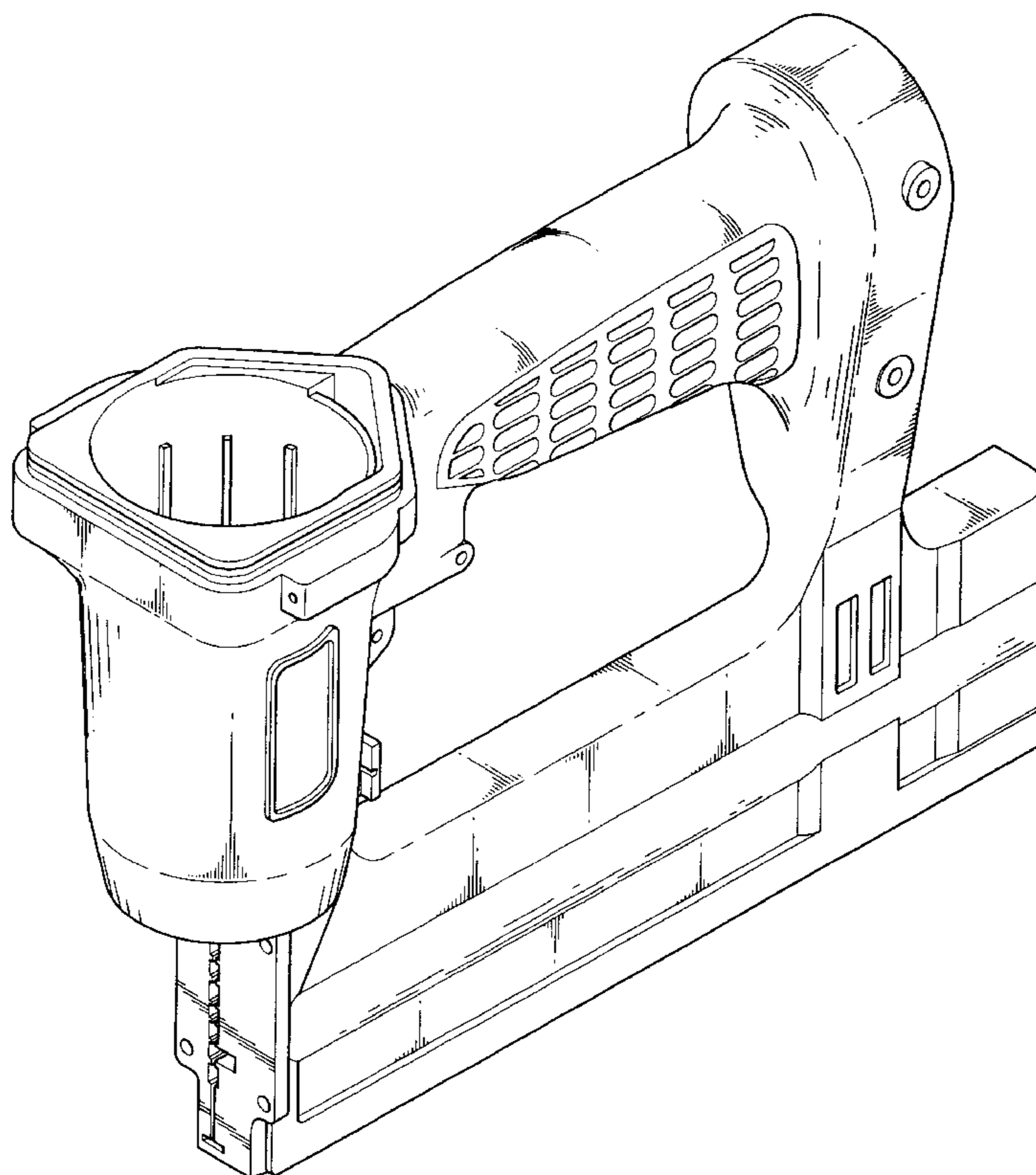
FIG. 1 is a front-left-top perspective view of a pneumatic hammer, showing my new design; FIG. 2 is a front elevational view thereof; FIG. 3 is a rear elevational view thereof; FIG. 4 is a left elevational view thereof; FIG. 5 is a right elevational view thereof; FIG. 6 is a bottom plan view thereof; and, FIG. 7 is a top plan view thereof.

1 Claim, 3 Drawing Sheets

(56) **References Cited**

U.S. PATENT DOCUMENTS

3,797,723 A	*	3/1974	Perkins et al.	D8/61
D316,022 S	*	4/1991	Moraht	D8/68
D322,204 S	*	12/1991	Lee	D8/61
D348,382 S	*	7/1994	Kaiser	D8/70
D383,657 S	*	9/1997	Kaiser	D8/69
D383,658 S	*	9/1997	Kaiser	D8/69
5,727,726 A	*	3/1998	Lin	227/120
D402,519 S	*	12/1998	Warner et al.	D8/69
D402,520 S	*	12/1998	Warner et al.	D8/69



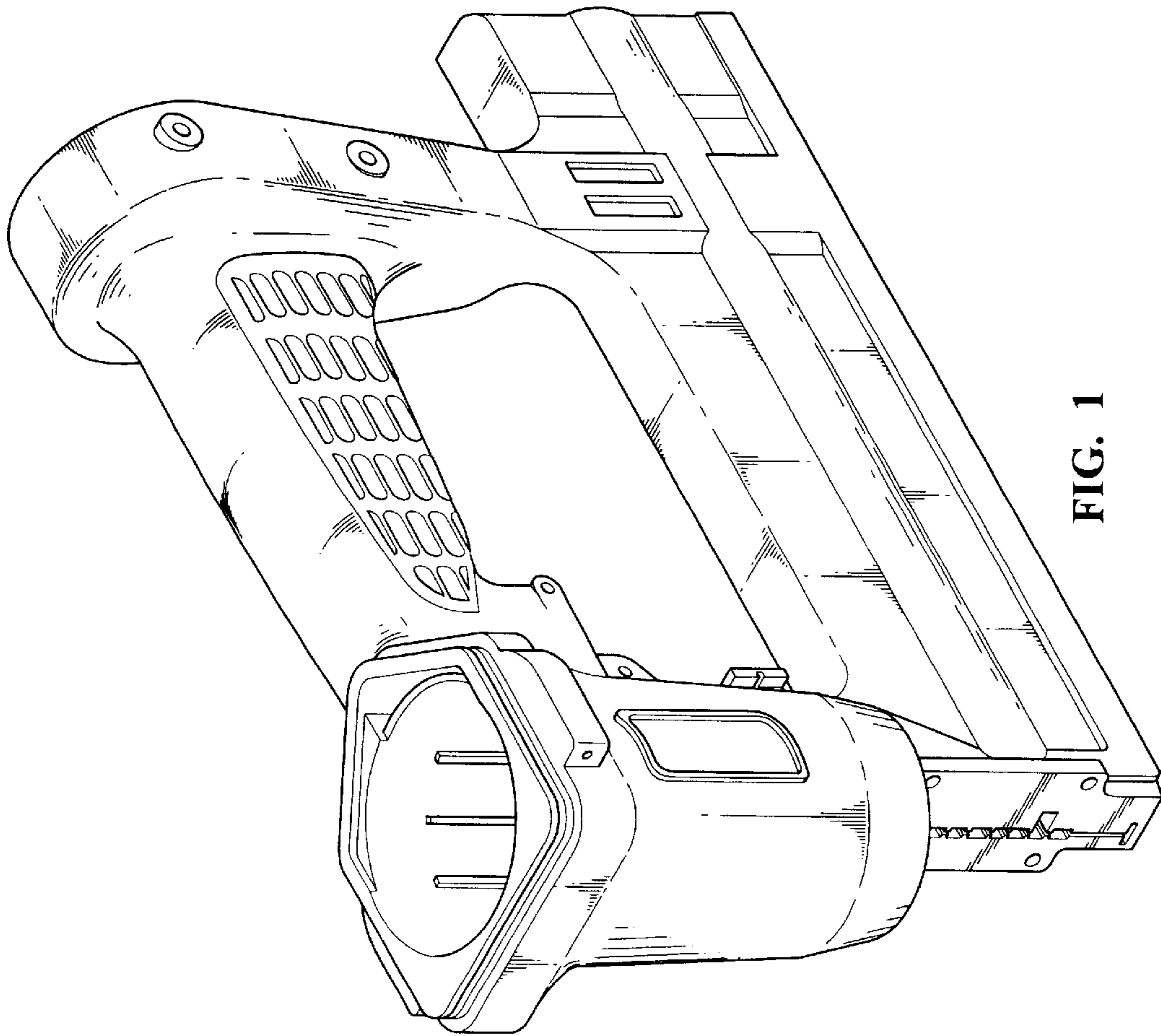


FIG. 1

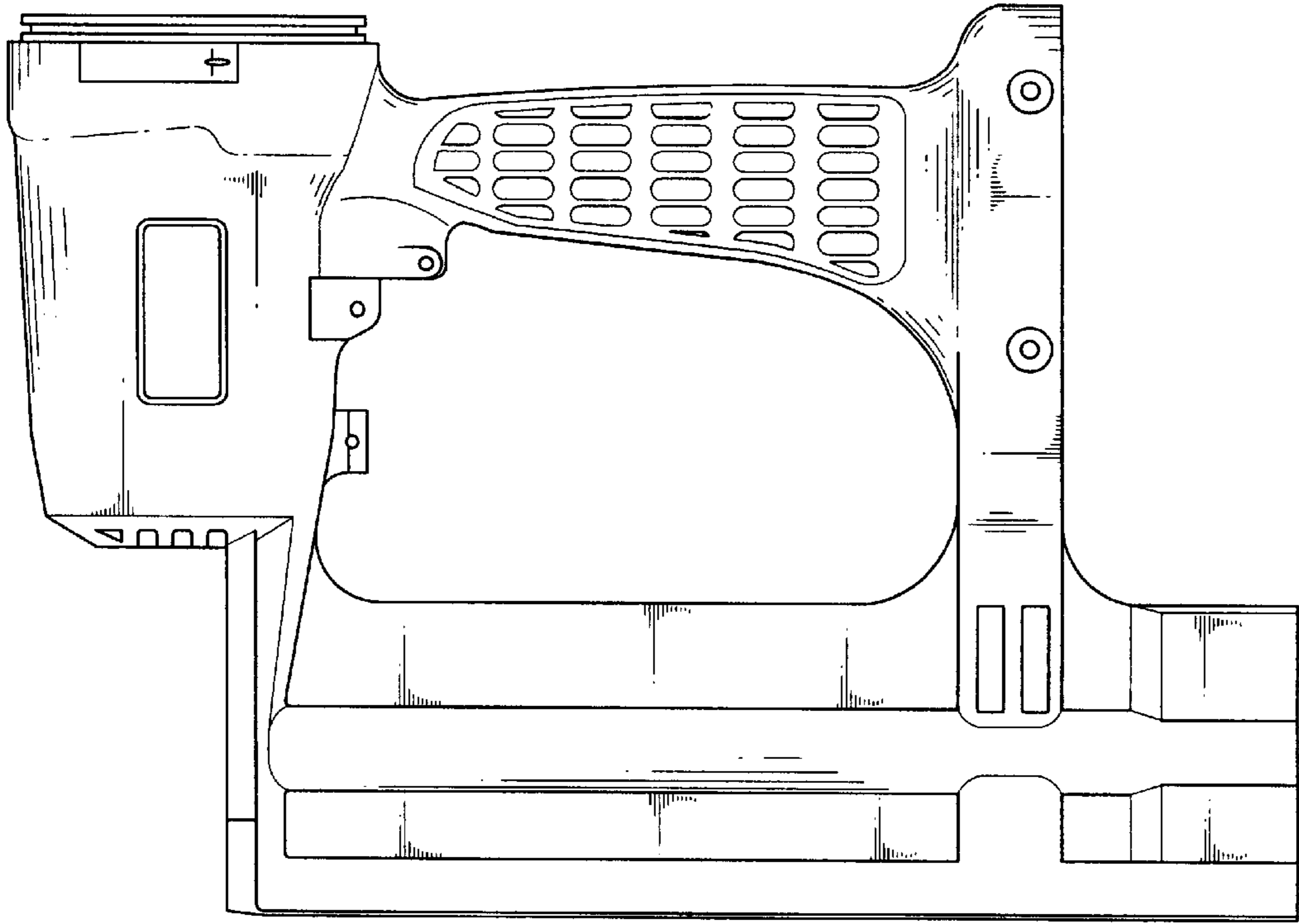


FIG. 2

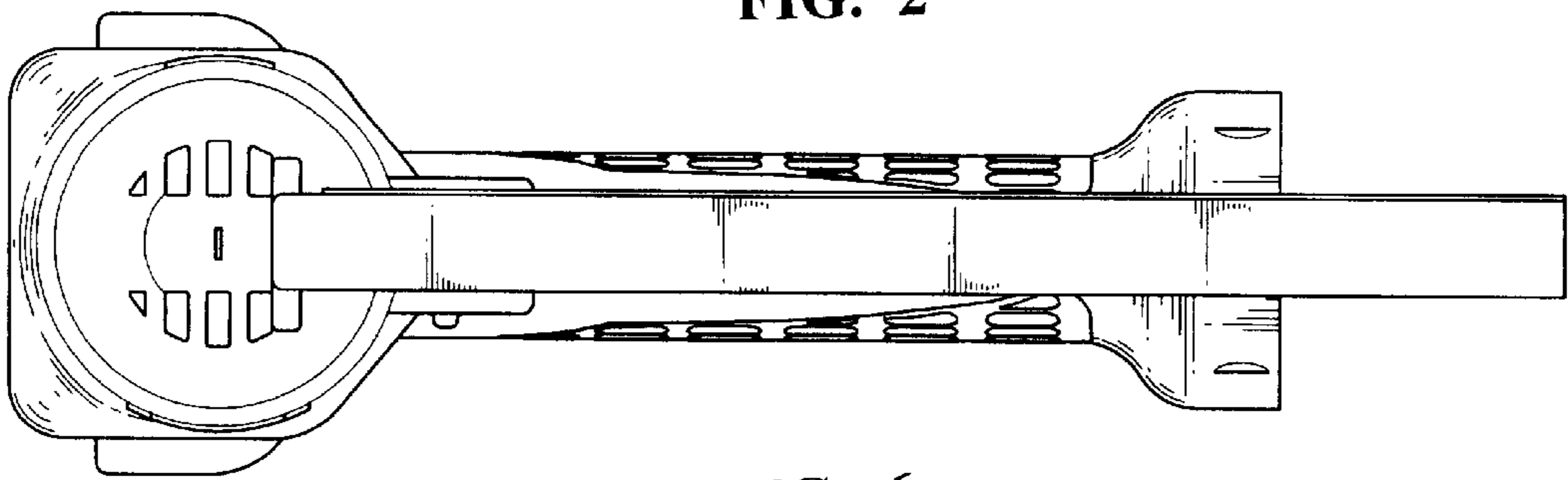


FIG. 6

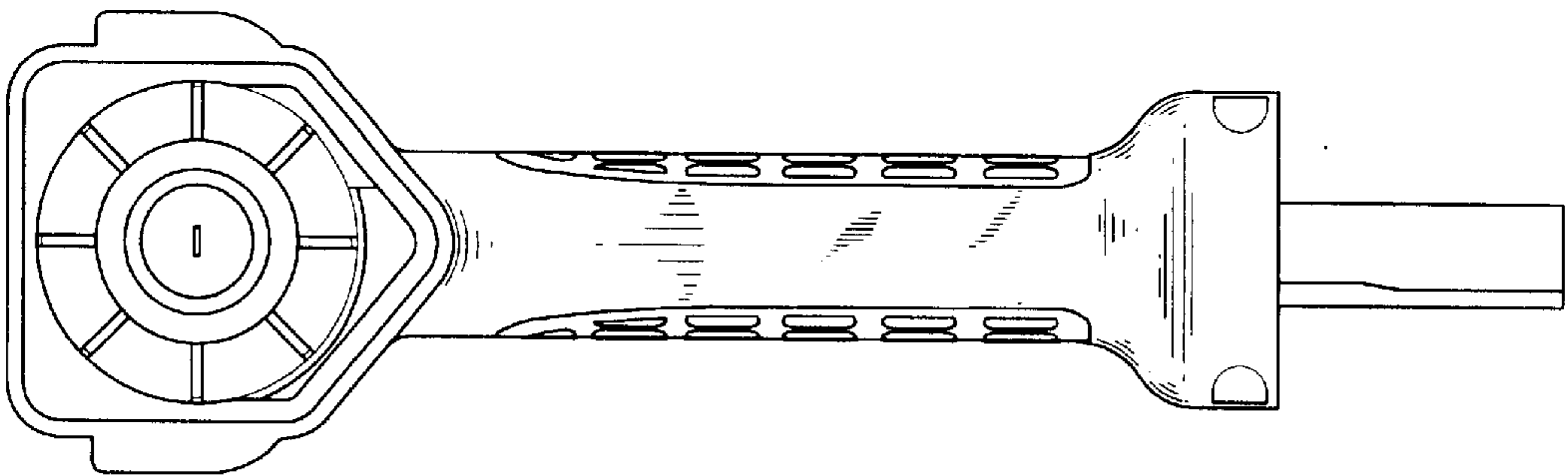


FIG. 7

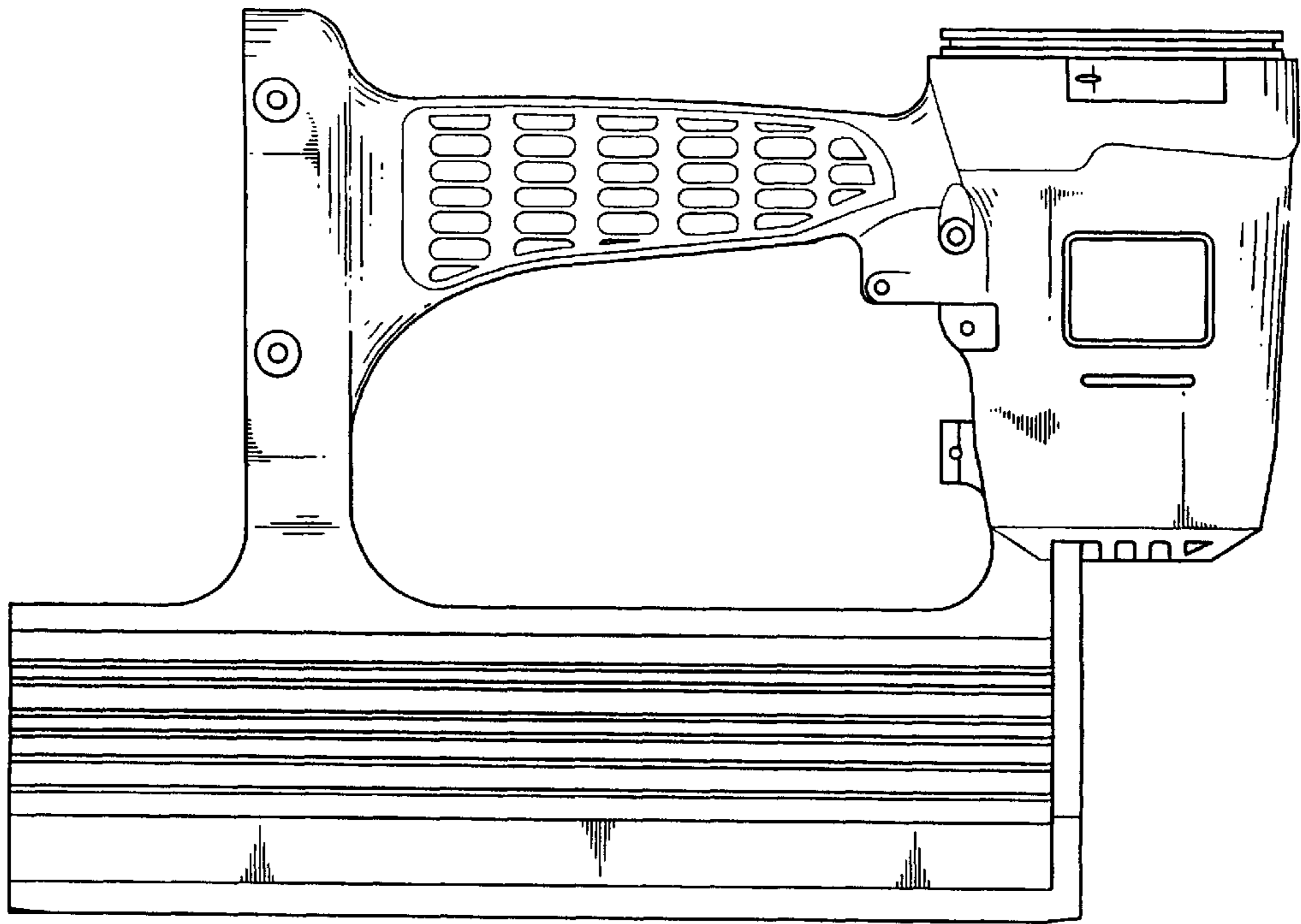


FIG. 3

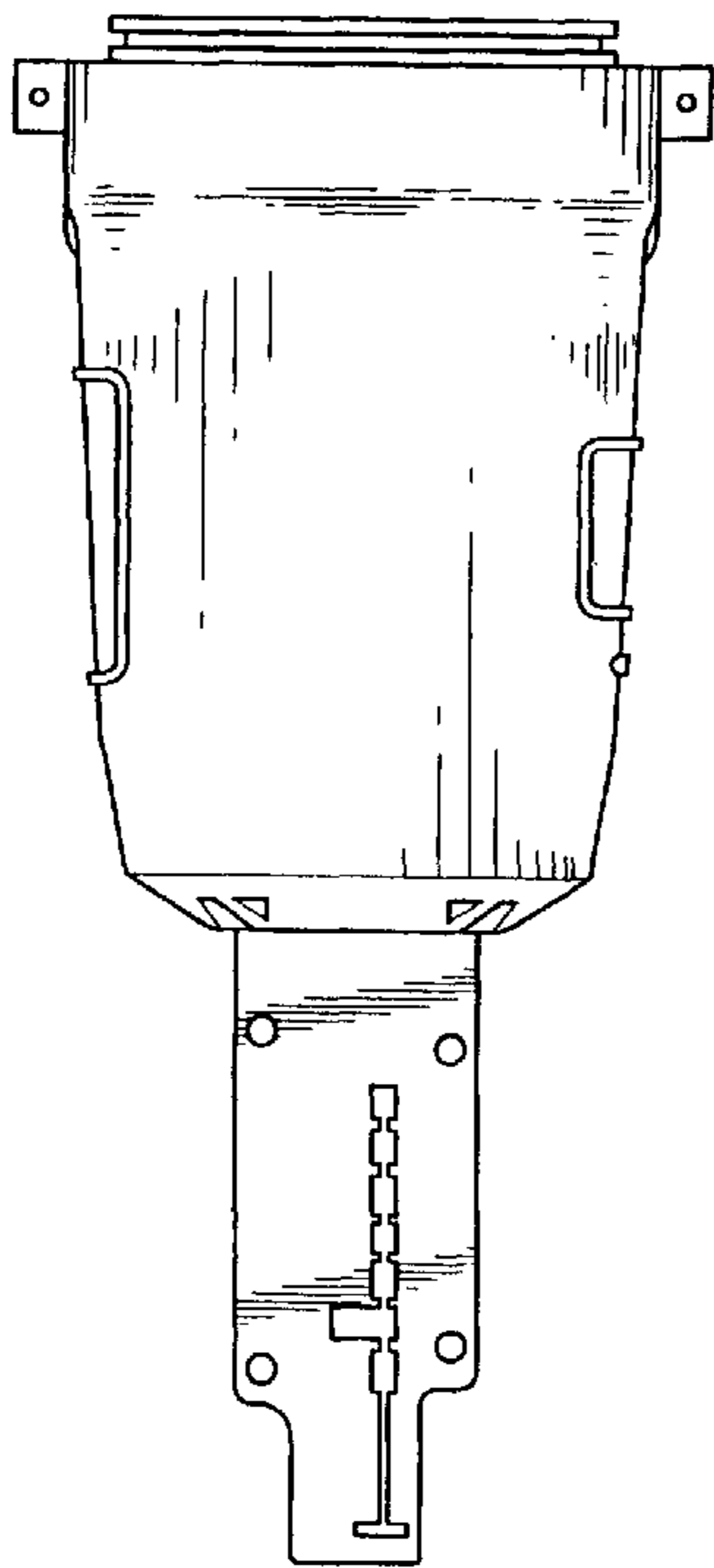


FIG. 4

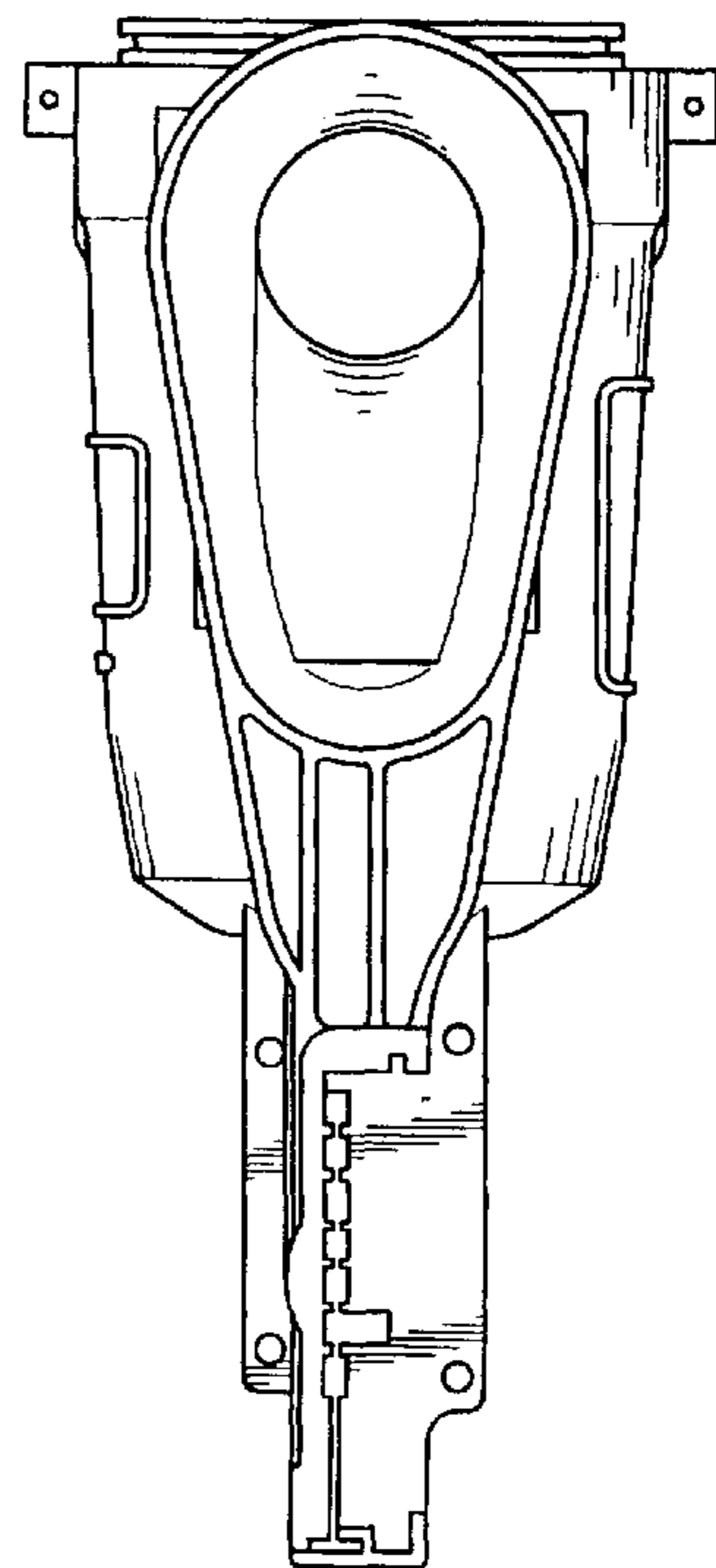


FIG. 5