



US00D491035S

(12) **United States Design Patent**
Buck

(10) **Patent No.:** **US D491,035 S**

(45) **Date of Patent:** **** Jun. 8, 2004**

- (54) **FASTENER TOOL**
- (75) **Inventor:** **John E. Buck**, Cockeysville, MD (US)
- (73) **Assignee:** **Black & Decker Inc.**, Newark, DE (US)
- (**) **Term:** **14 Years**
- (21) **Appl. No.:** **29/183,766**
- (22) **Filed:** **Jun. 17, 2003**
- (51) **LOC (7) Cl.** **08-05**
- (52) **U.S. Cl.** **D8/68**
- (58) **Field of Search** D8/14.1, 61, 62, D8/63, 64, 65, 66, 67, 68, 69, 70; 81/57.11, 429, 464, 465, 466, 469, 489; 173/13, 169, 178, 213, 217; 227/8, 114, 120, 130, 136, 142; 310/50; 408/20, 124, 125, 234, 241 R; 451/358

D435,205 S	*	12/2000	Etter et al.	D8/68
D435,770 S	*	1/2001	Arai	D8/68
D458,525 S	*	6/2002	Buck	D8/68
D459,184 S	*	6/2002	Buck	D8/69
D461,694 S	*	8/2002	Buck	D8/68
D466,781 S	*	12/2002	Matsuoka et al.	D8/68
D474,091 S	*	5/2003	Arai	D8/68
D474,386 S	*	5/2003	Arai	D8/68
D477,514 S	*	7/2003	Chen	D8/68
D477,759 S	*	7/2003	Buck	D8/68
6,609,646 B2	*	8/2003	Miller et al.	227/120
6,648,202 B2	*	11/2003	Miller et al.	227/130

* cited by examiner

Primary Examiner—James Gandy
Assistant Examiner—T. Chase Nelson
(74) *Attorney, Agent, or Firm*—Adan Ayala

(57) **CLAIM**

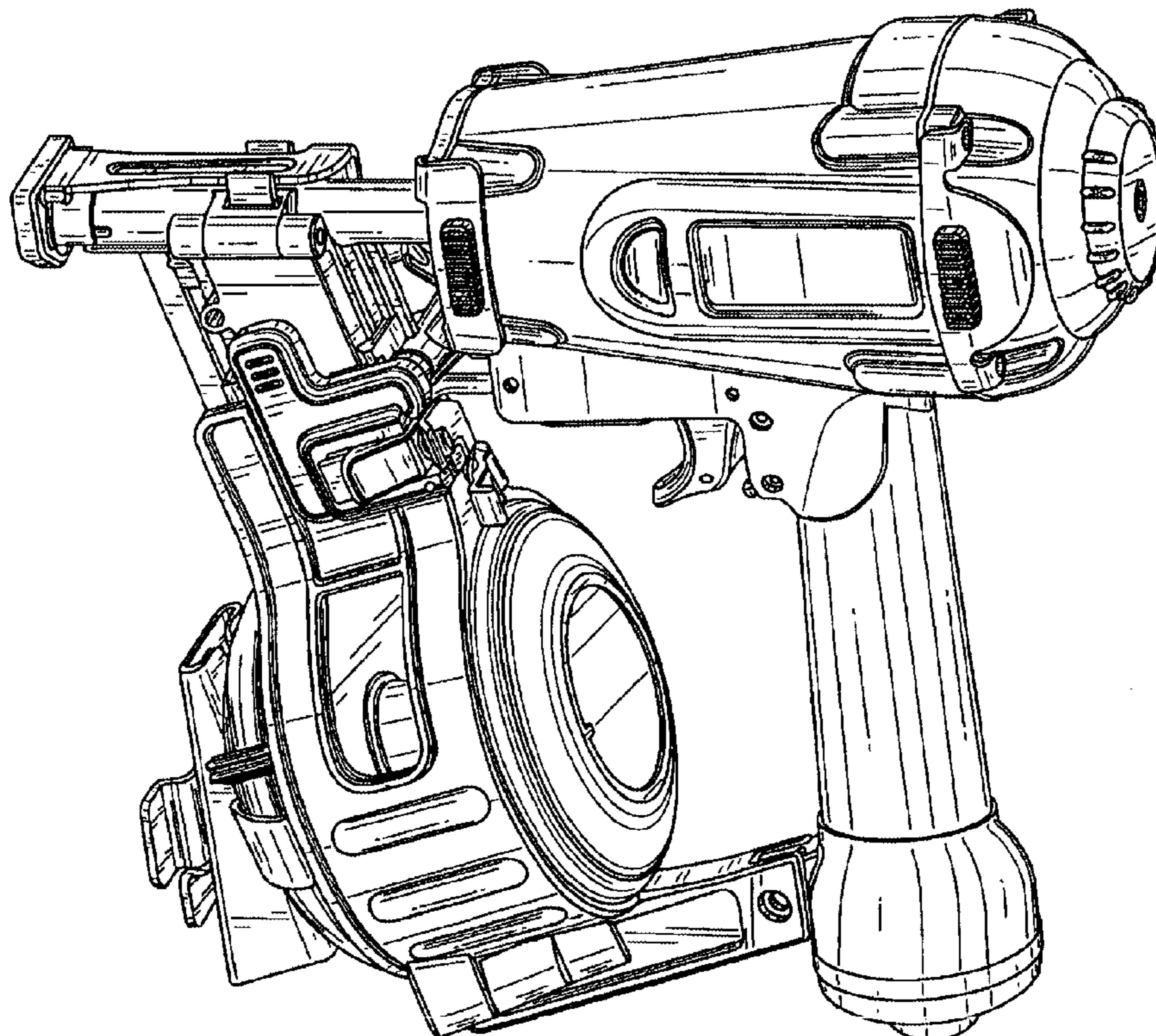
The ornamental design for a fastener tool, as shown and described.

- (56) **References Cited**
- U.S. PATENT DOCUMENTS**
- D334,329 S * 3/1993 Ogawa et al. D8/68
- 5,240,161 A * 8/1993 Kaneko 227/136
- D377,592 S * 1/1997 Hattori D8/68
- 5,628,445 A * 5/1997 Braddock et al. 227/120
- D379,912 S * 6/1997 Burke et al. D8/68
- D392,170 S * 3/1998 Hattori D8/68
- 5,842,625 A * 12/1998 Kimura 227/136
- 6,095,393 A * 8/2000 Smolinski 227/136
- 6,152,346 A * 11/2000 Laubach 227/136

DESCRIPTION

FIG. 1 is a perspective view from the front of an embodiment of the new design;
FIG. 2 is a left elevational view of the embodiment;
FIG. 3 is a right elevational view of the embodiment;
FIG. 4 is a bottom plan view of the embodiment;
FIG. 5 is a top plan view of the embodiment;
FIG. 6 is a front elevational view of the embodiment; and,
FIG. 7 is a rear elevational view of the embodiment.

1 Claim, 5 Drawing Sheets



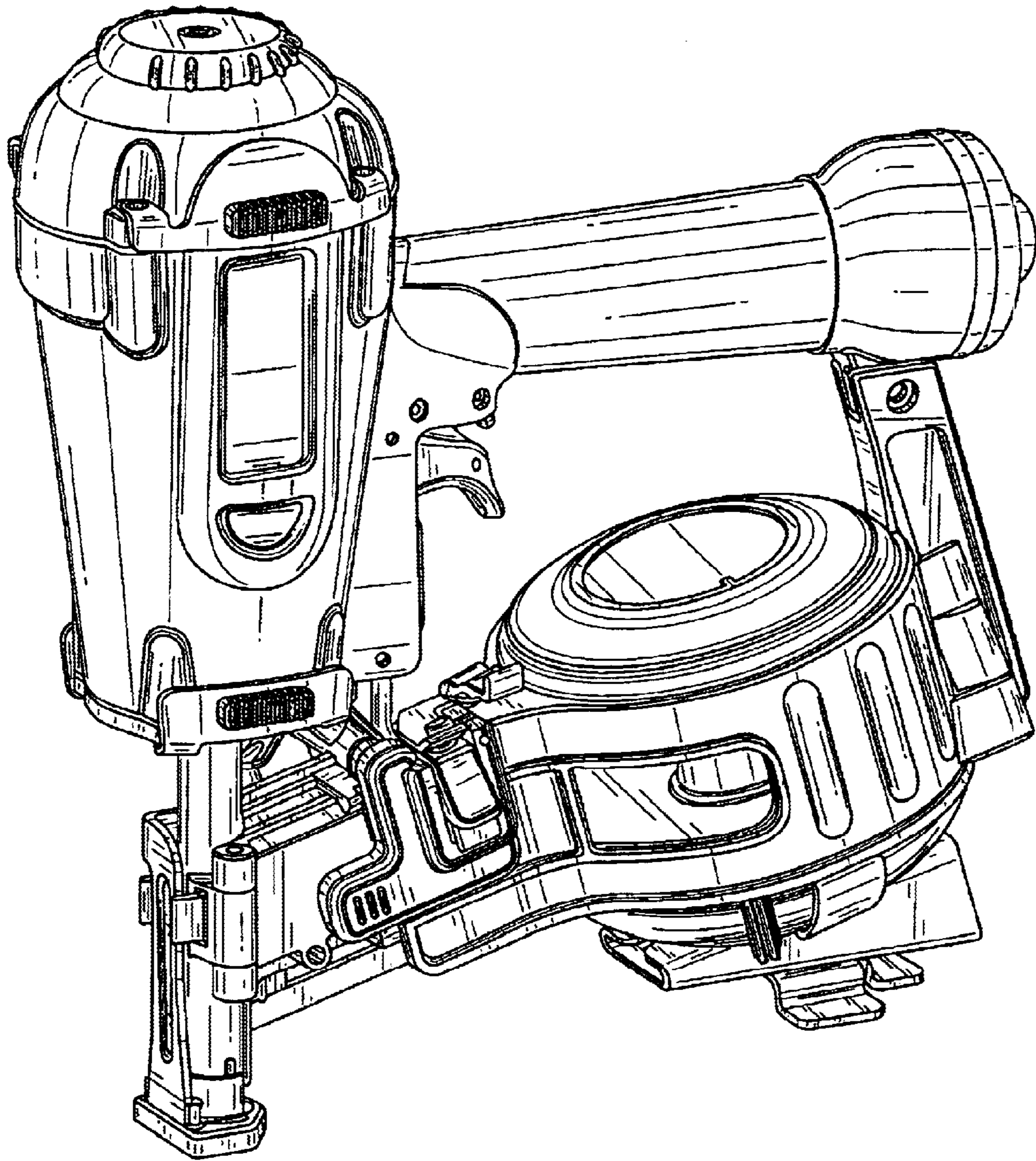


FIG. 1

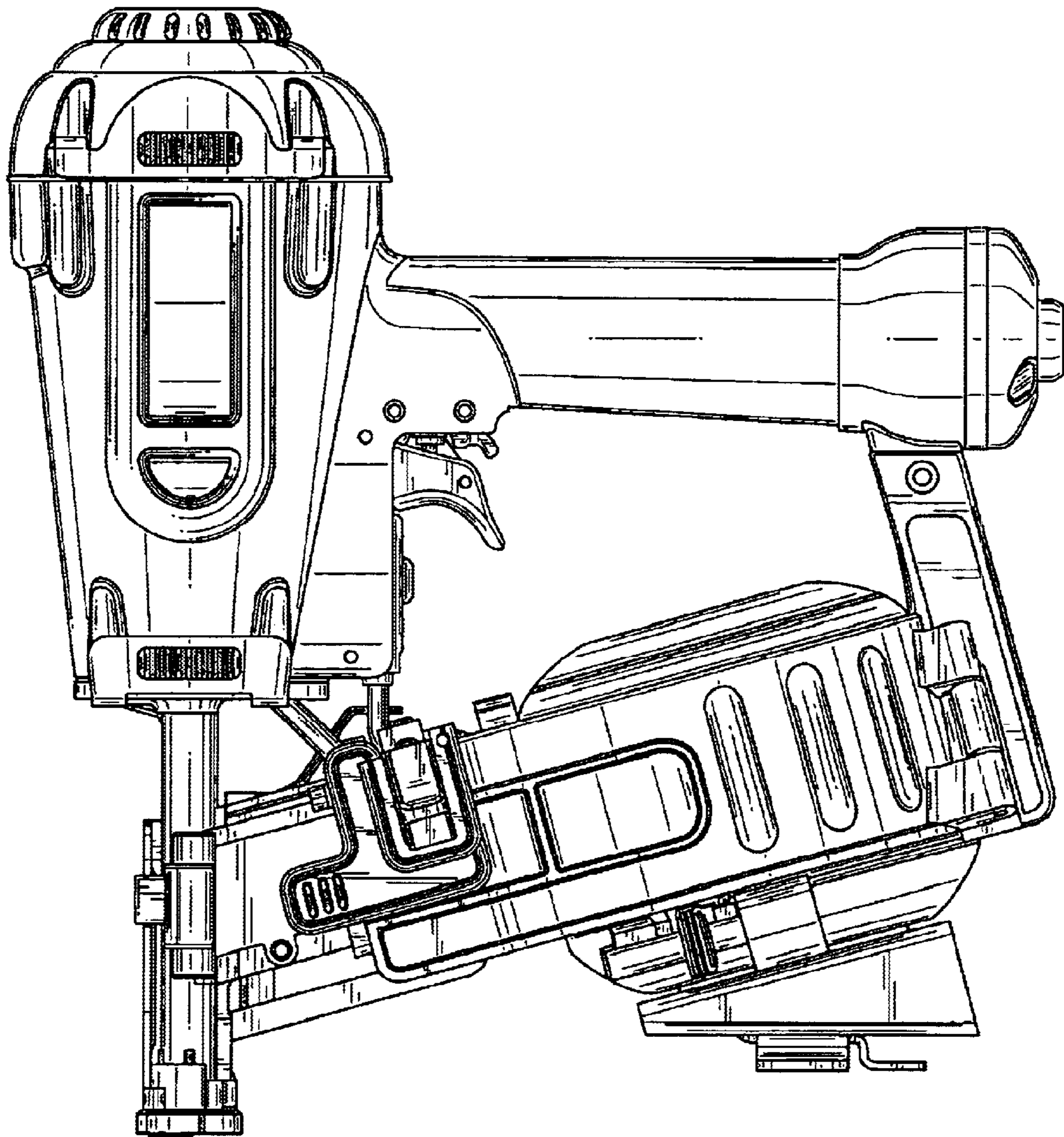


FIG. 2

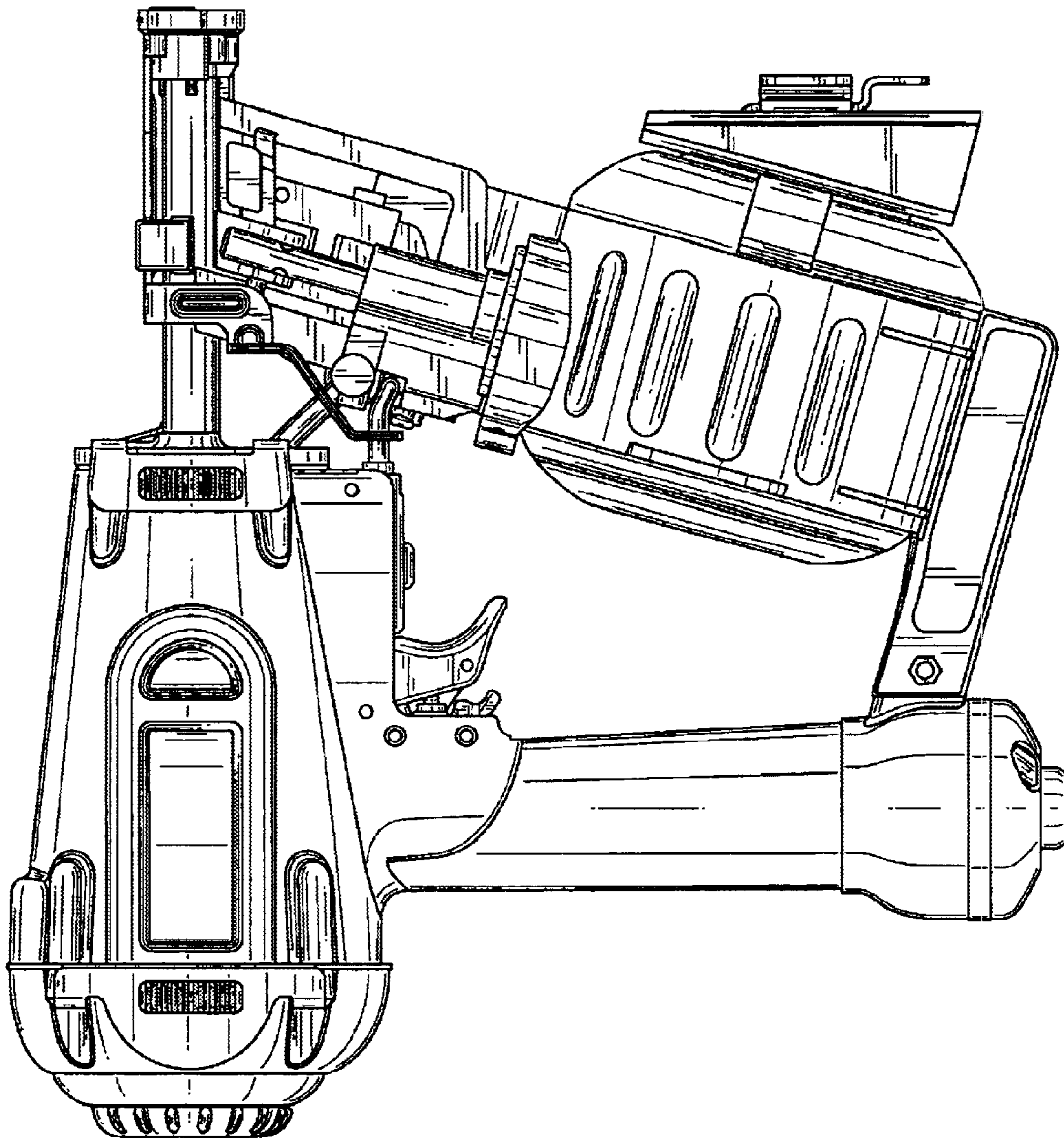


FIG. 3

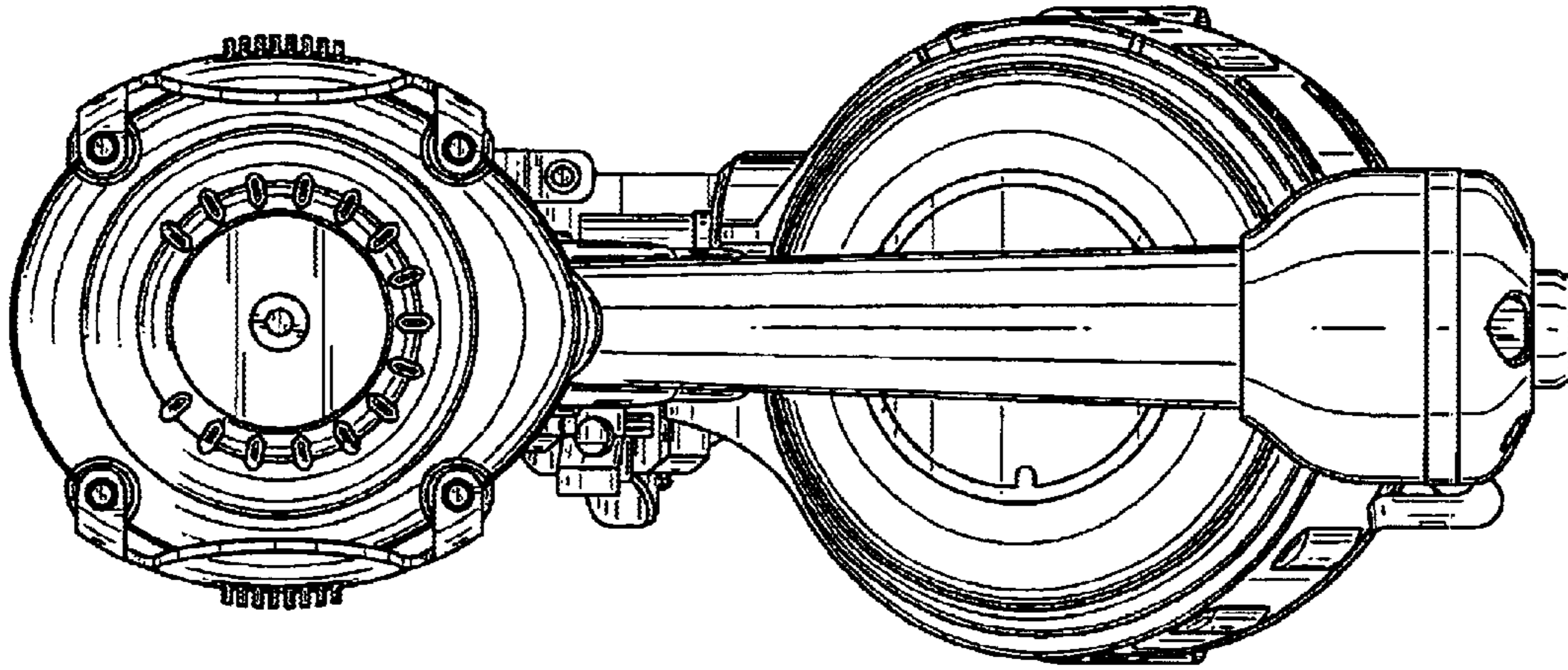


FIG. 5

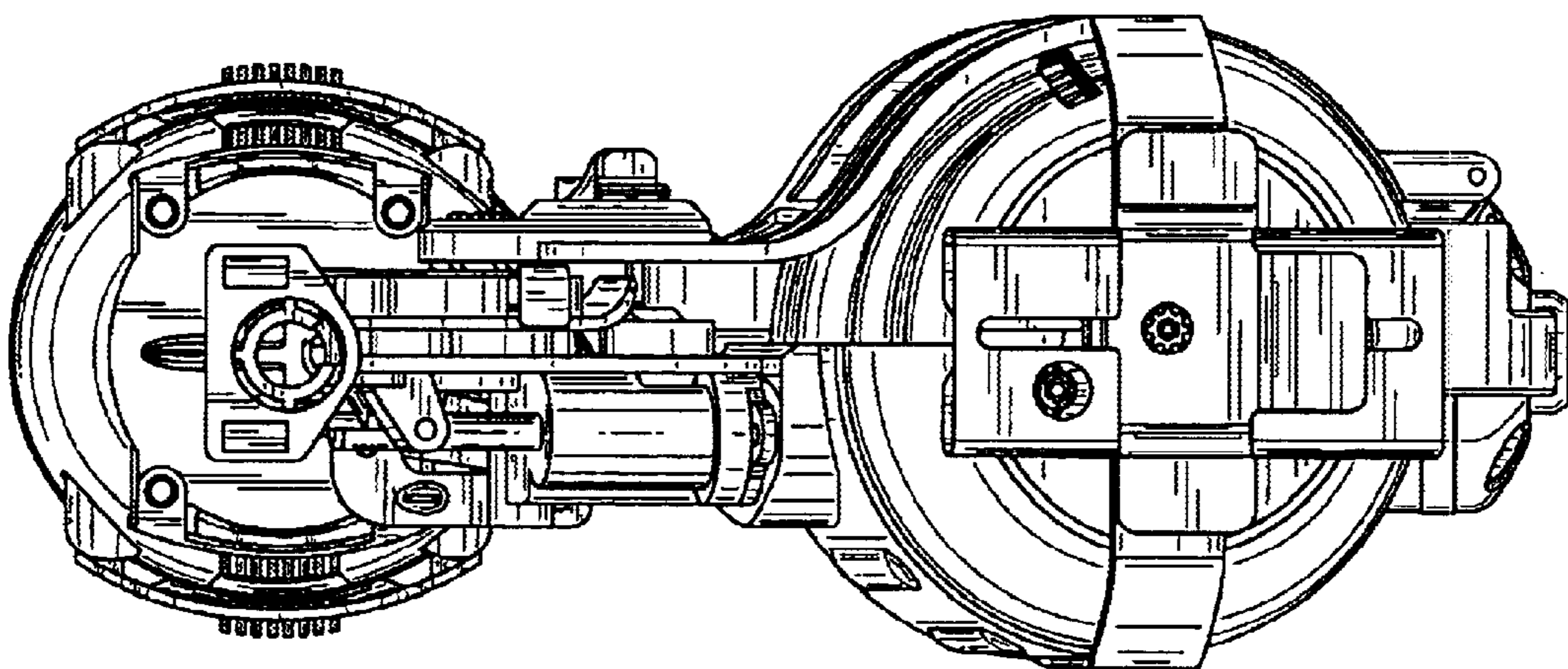


FIG. 4

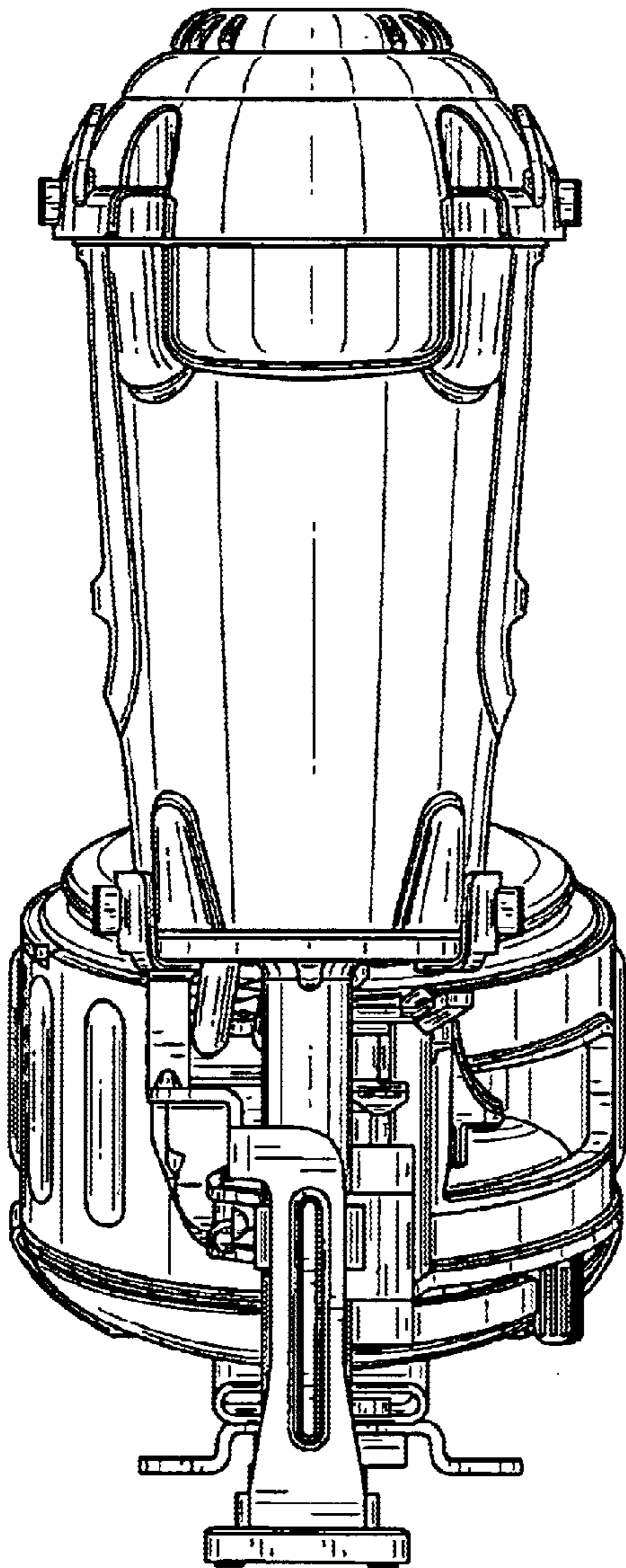


FIG. 6

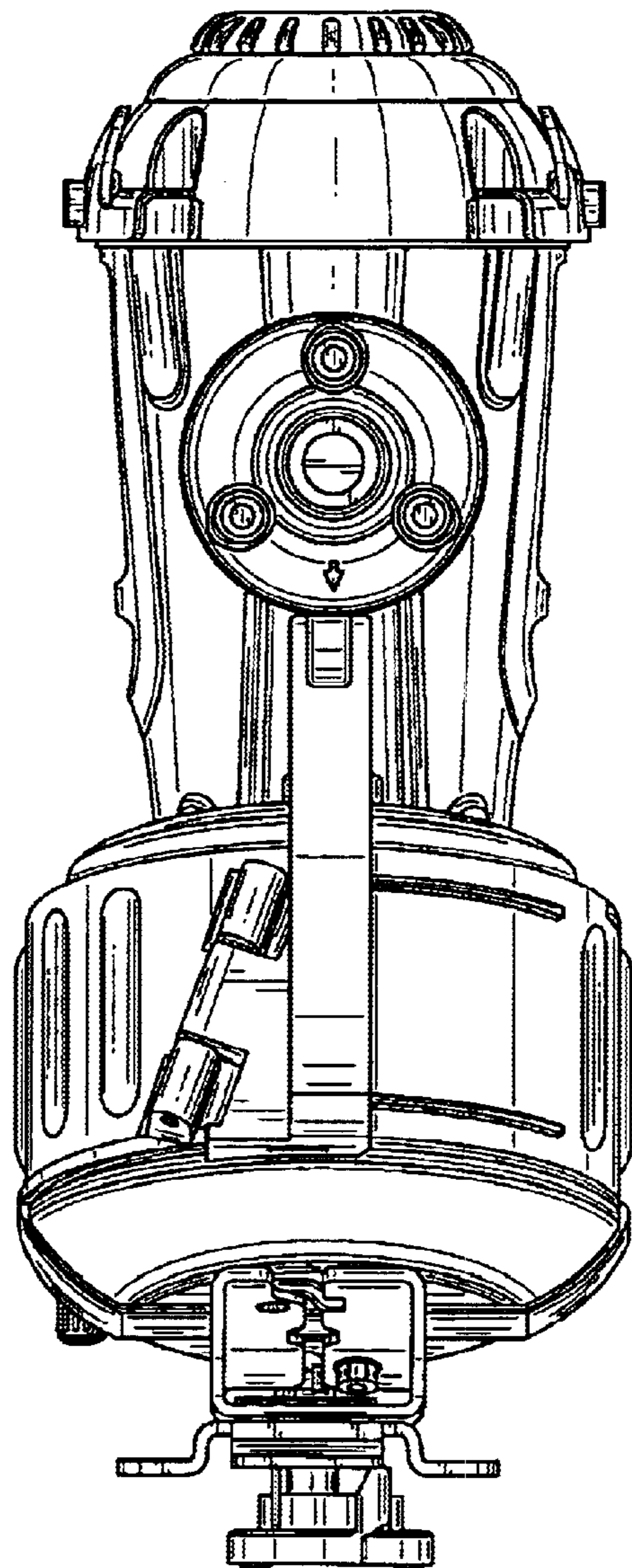


FIG. 7