



US00D491034S

(12) **United States Design Patent**
Evans

(10) **Patent No.:** **US D491,034 S**

(45) **Date of Patent:** **** Jun. 8, 2004**

- (54) **JIGSAW**
- (75) **Inventor:** **Scott Evans**, Matthews, VA (US)
- (73) **Assignee:** **Black & Decker Inc.**, Newark, DE (US)
- (**) **Term:** **14 Years**
- (21) **Appl. No.:** **29/170,116**
- (22) **Filed:** **Oct. 31, 2002**
- (51) **LOC (7) Cl.** **08-03**
- (52) **U.S. Cl.** **D8/64**
- (58) **Field of Search** D7/379; D8/61, D8/64, 65, 66, 67, 69; 30/166.3, 374, 375, 376, 377, 388, 390, 391, 392, 393, 394, 397; 409/180, 181, 182; 83/397, 699.21

DE	9107234	4/1992
DE	9403565	9/1994
DE	9505790	1/1996
DE	9600476	7/1996
DE	9601603	10/1996
DE	9605181	2/1997
DE	9800647	7/1998
DE	9802692	11/1998
DE	49810724	6/1999
DE	49810774	7/1999
DE	49901078	10/1999
DE	40003538	7/2000

* cited by examiner

Primary Examiner—Doris V. Coles
Assistant Examiner—Elizabeth Albert
 (74) *Attorney, Agent, or Firm*—Bruce S. Shapiro; John Del Ponti; Michael P. Leary

(56) **References Cited**

U.S. PATENT DOCUMENTS

5,964,039	A	10/1999	Mizoguchi et al.	
D423,314	S	* 4/2000	Robson	D8/64
D430,774	S	* 9/2000	Naft et al.	D7/379
D432,883	S	10/2000	Wingert	
6,179,696	B1	* 1/2001	Duffy	451/357
D446,703	S	* 8/2001	Netzler	D8/64

FOREIGN PATENT DOCUMENTS

DE	9004953	4/1991
DE	9005473	10/1991
DE	9104889	4/1992

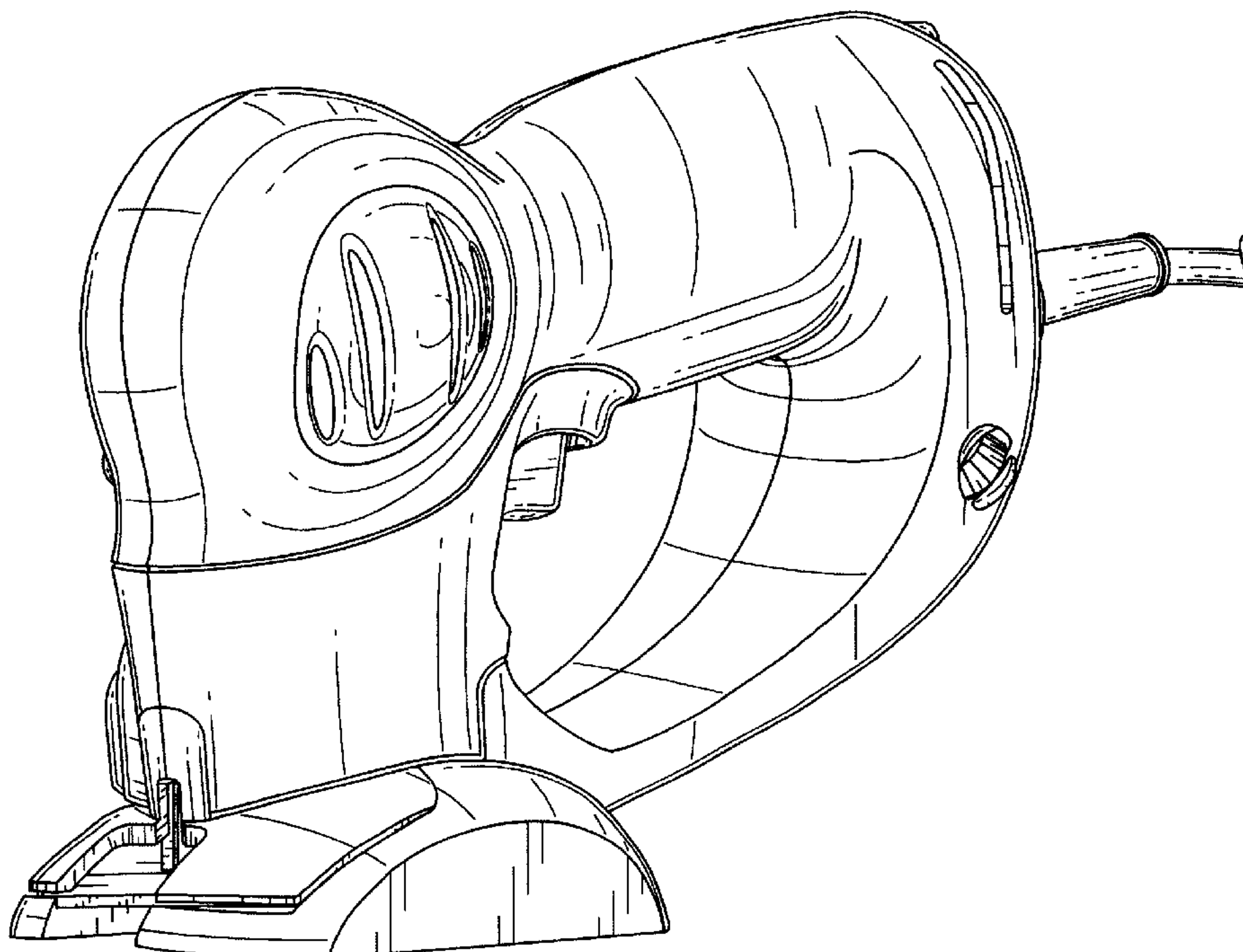
(57) **CLAIM**

The ornamental design for a jigsaw, as shown and described.

DESCRIPTION

FIG. 1 is a left side perspective view of a jigsaw showing our design.
 FIG. 2 is a front elevational view thereof.
 FIG. 3 is a rear elevational view thereof.
 FIG. 4 is a right side elevational view thereof.
 FIG. 5 is a left side elevational view thereof.
 FIG. 6 is a top plan view thereof; and,
 FIG. 7 is a bottom plan view thereof.

1 Claim, 6 Drawing Sheets



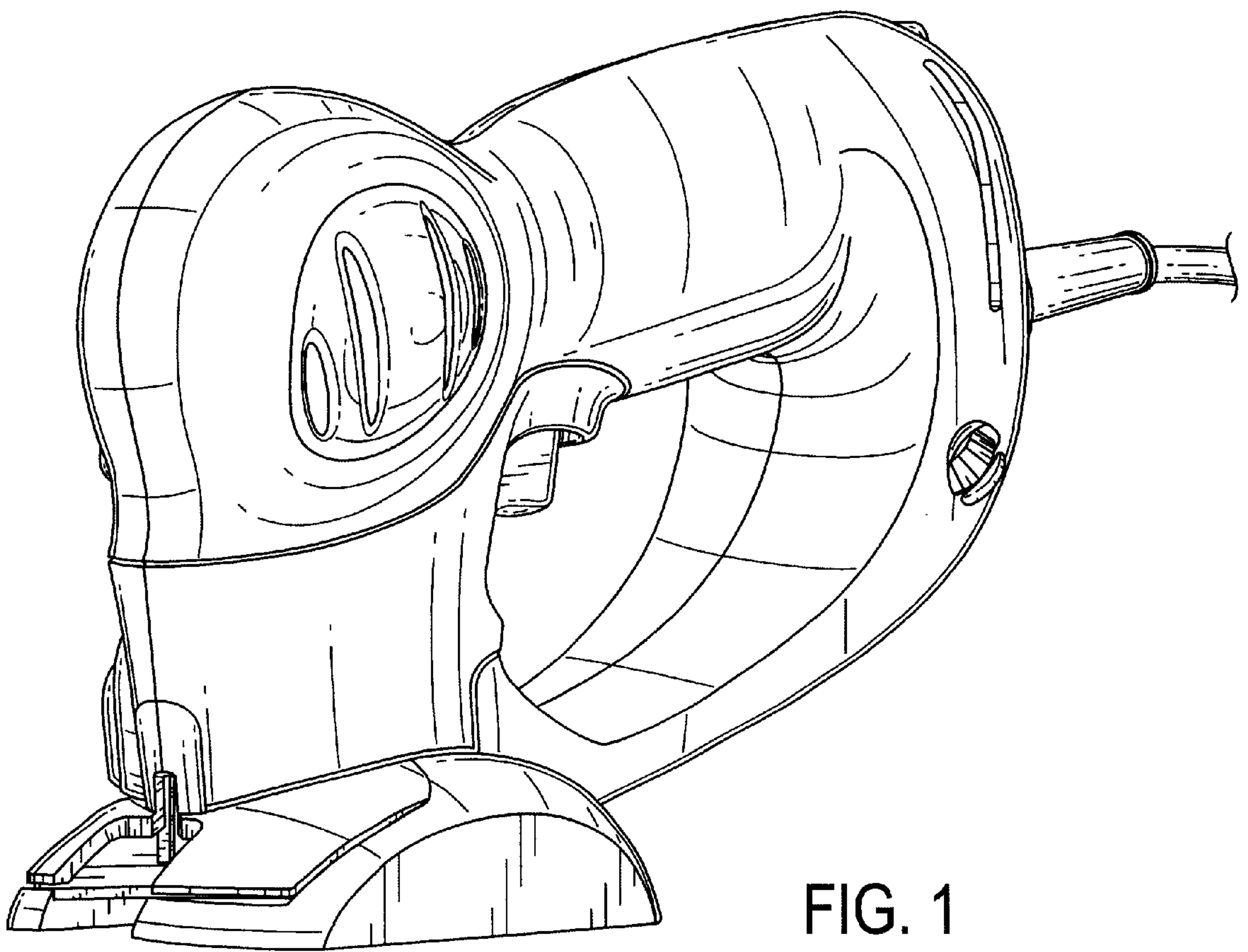


FIG. 1

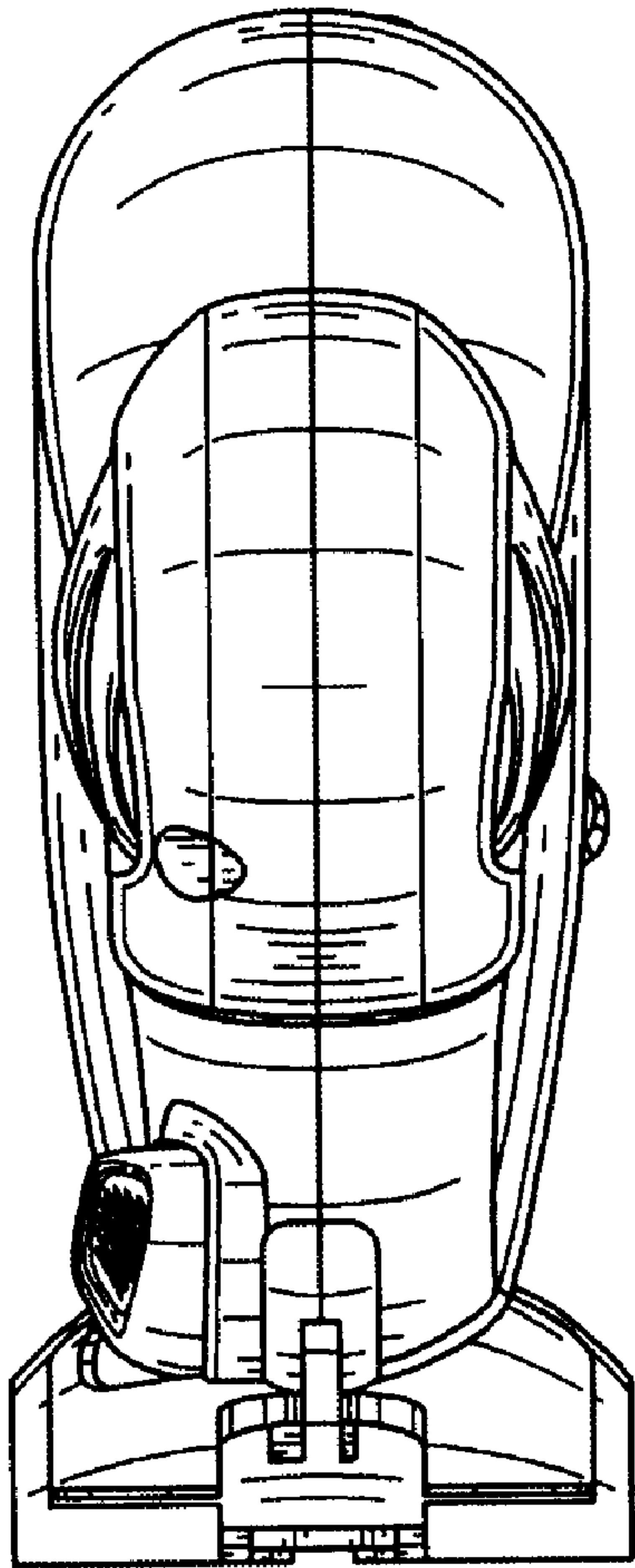


FIG. 2

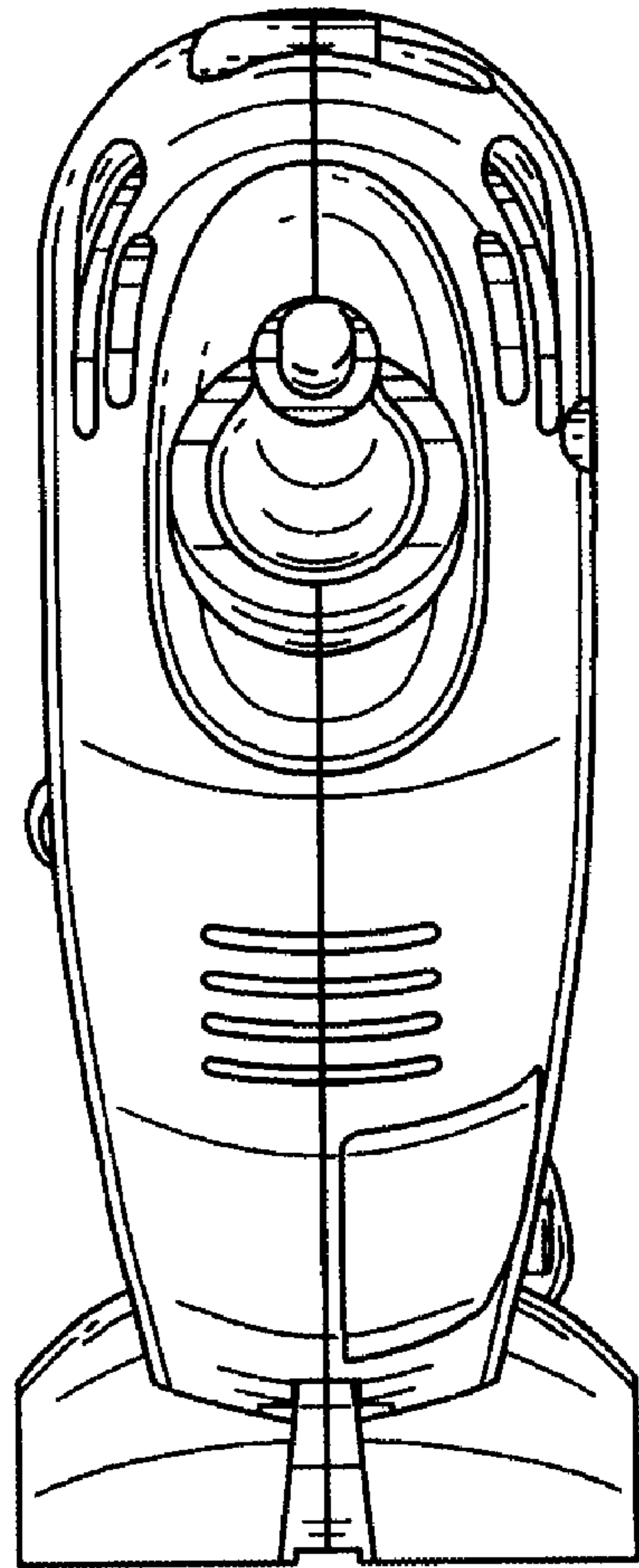


FIG. 3

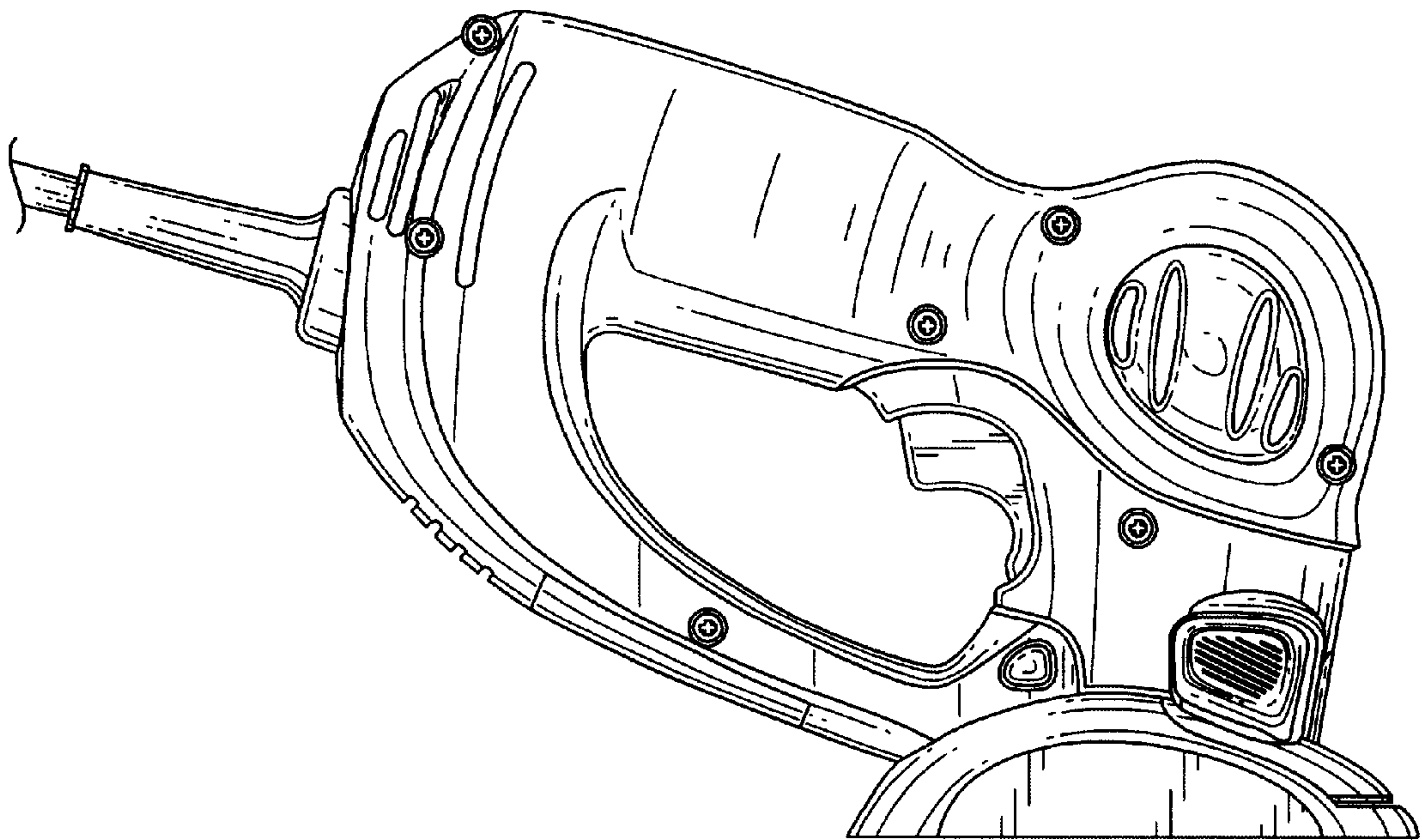


FIG. 4

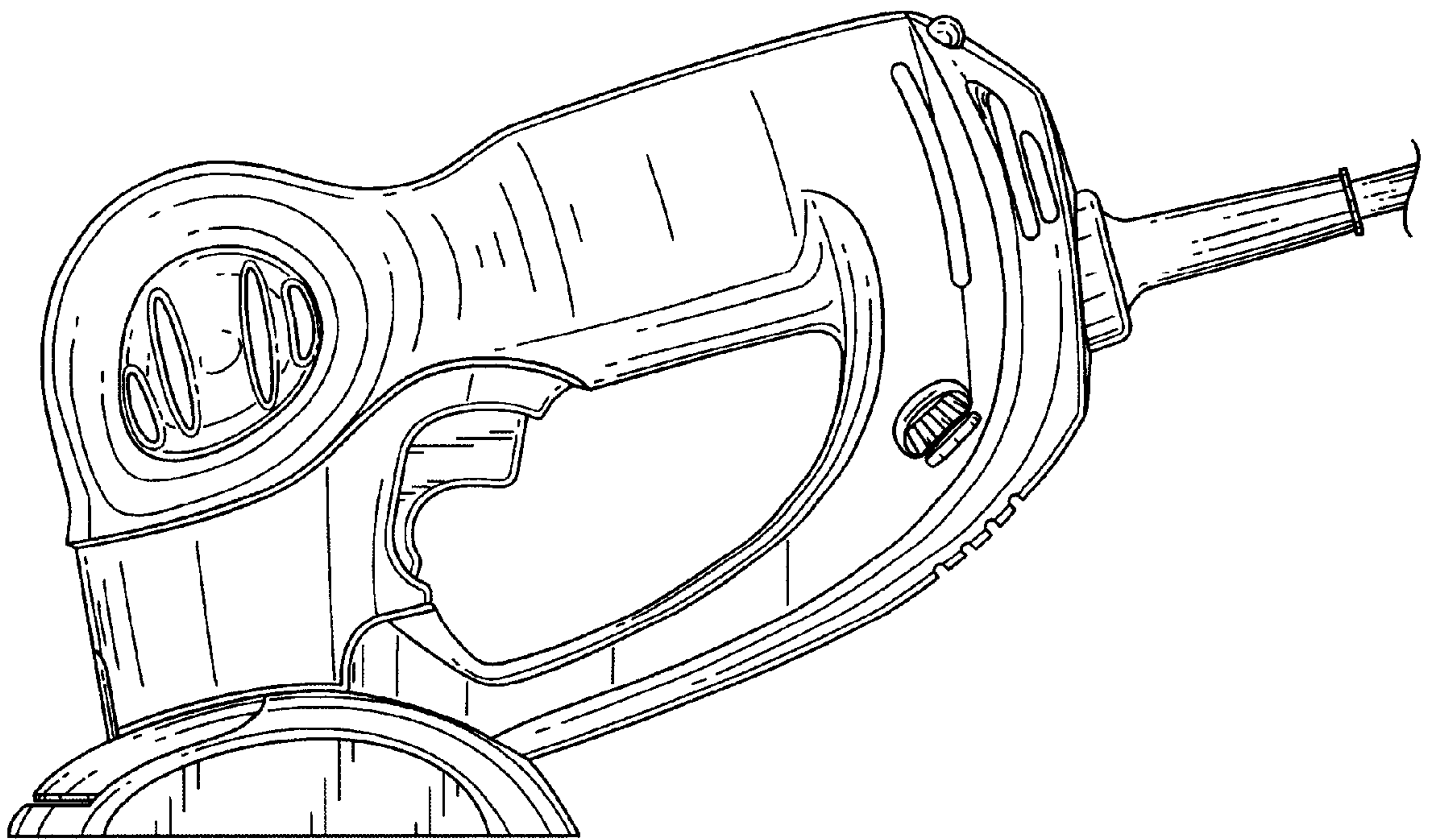


FIG. 5

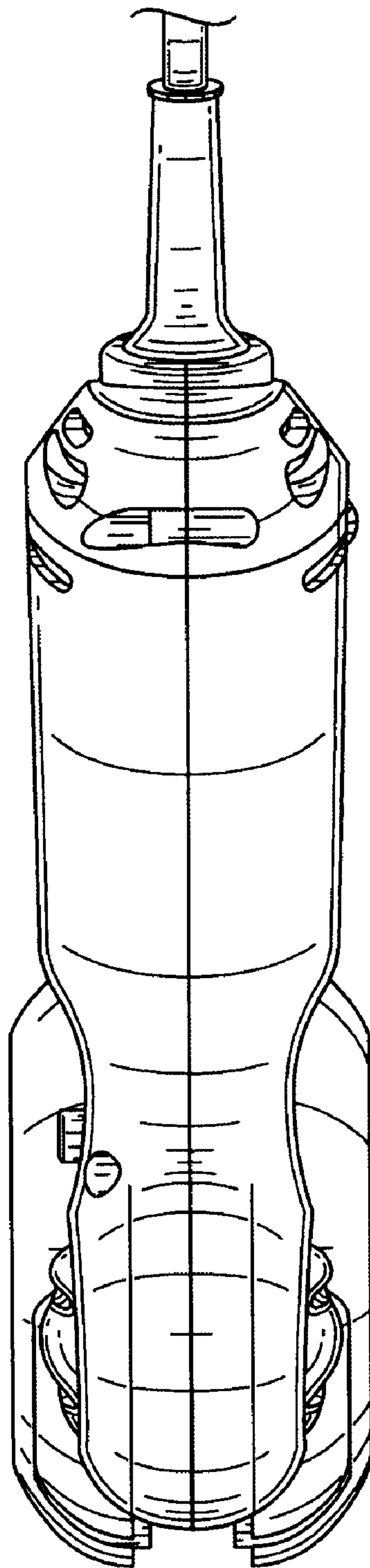


FIG. 6

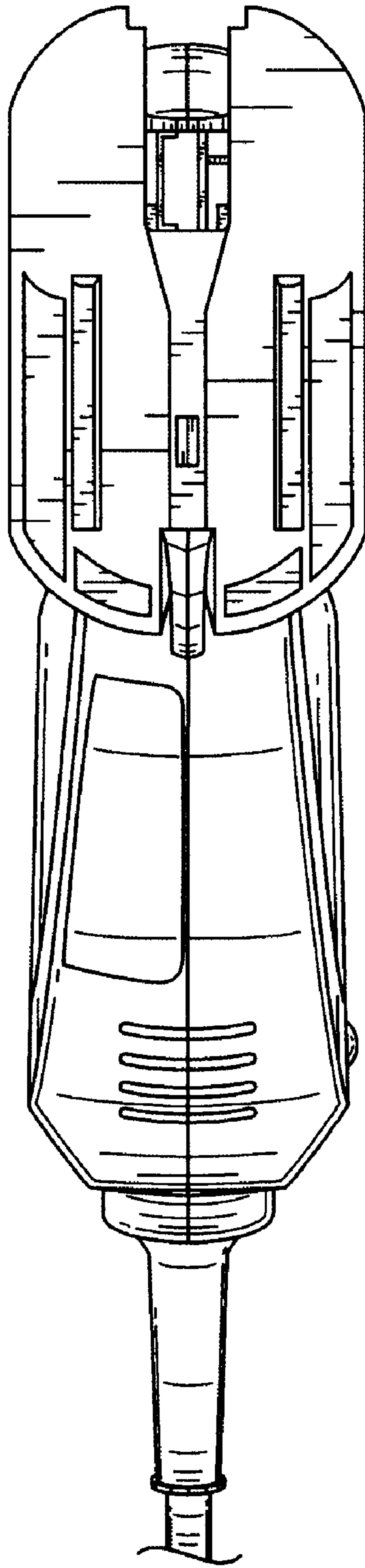


FIG. 7