



US00D491024S

(12) **United States Design Patent**
Welsh

(10) **Patent No.:** **US D491,024 S**

(45) **Date of Patent:** **** Jun. 8, 2004**

- (54) **FOOD STORAGE CONTAINER**
- (75) Inventor: **Thomas Welsh**, Aurora, IL (US)
- (73) Assignee: **Home Products International, Inc.**,
Chicago, IL (US)
- (**) Term: **14 Years**
- (21) Appl. No.: **29/182,909**
- (22) Filed: **Jun. 3, 2003**
- (51) **LOC (7) Cl.** **07-01**
- (52) **U.S. Cl.** **D7/629; D9/428**
- (58) **Field of Search** D7/602, 629, 538-542;
D9/414, 424, 425, 428, 430-432; 229/406,
902, 903, 906; 220/281, 662, 675, 780-799,
574, 574.1

- D241,399 S * 9/1976 Christian D7/540
- D291,041 S * 7/1987 Grange D7/542
- 4,809,868 A * 3/1989 Pomroy 220/793
- D441,615 S * 5/2001 Dretzka D7/629

* cited by examiner

Primary Examiner—Terry A. Wallace

(74) *Attorney, Agent, or Firm*—Wood, Phillips, Katz, Clark & Mortimer

(57) **CLAIM**

The ornamental design for a food storage container, substantially as shown and described.

DESCRIPTION

FIG. 1 is a perspective view of a food storage container showing my new design;
FIG. 2 is a top plan view thereof;
FIG. 3 is a bottom plan view thereof;
FIG. 4 is a front and rear elevational view thereof; and,
FIG. 5 is a right and left side elevational view thereof.

- (56) **References Cited**
U.S. PATENT DOCUMENTS
3,957,097 A * 5/1976 Swett 220/780

1 Claim, 3 Drawing Sheets

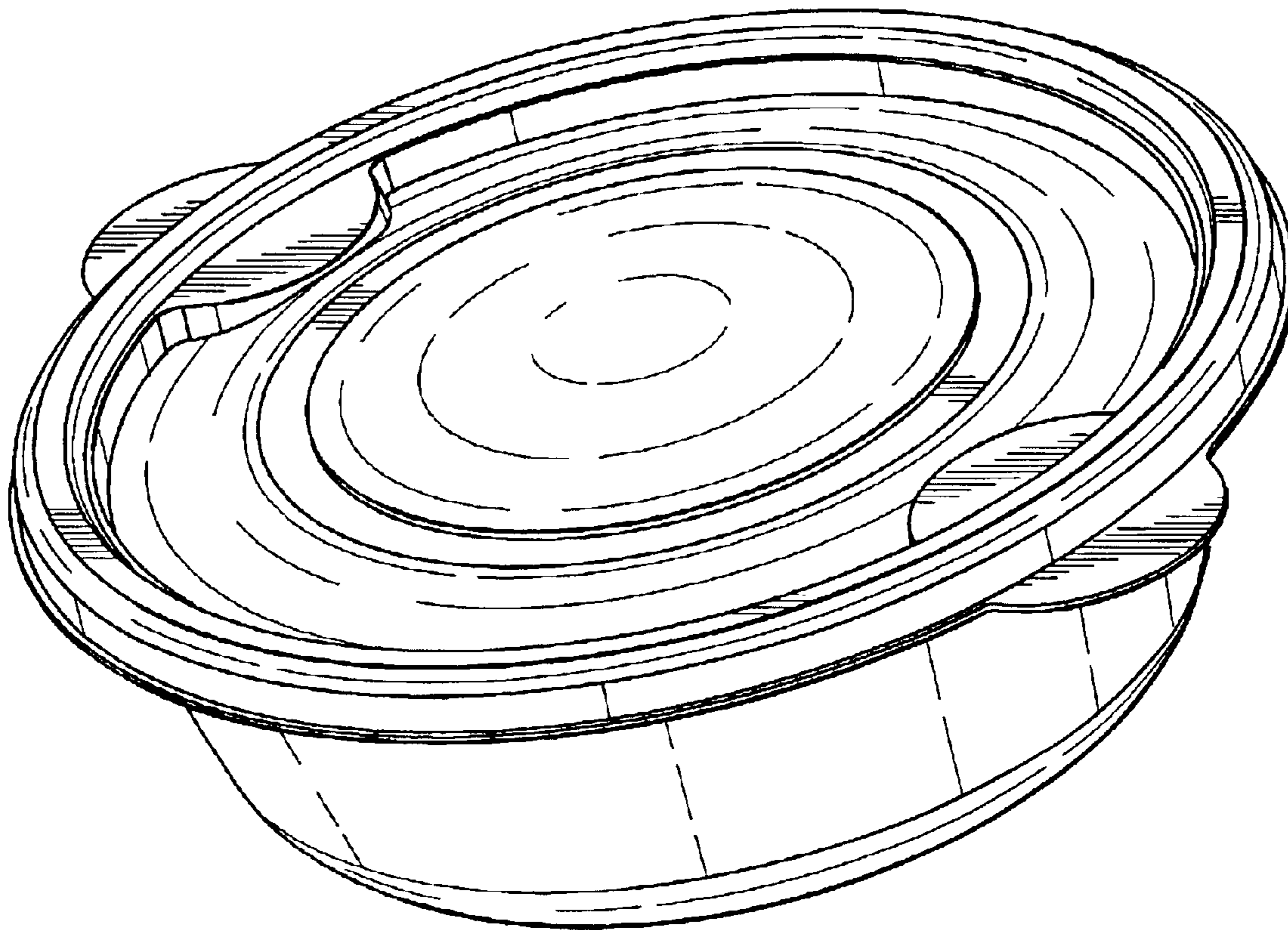


Fig. 1

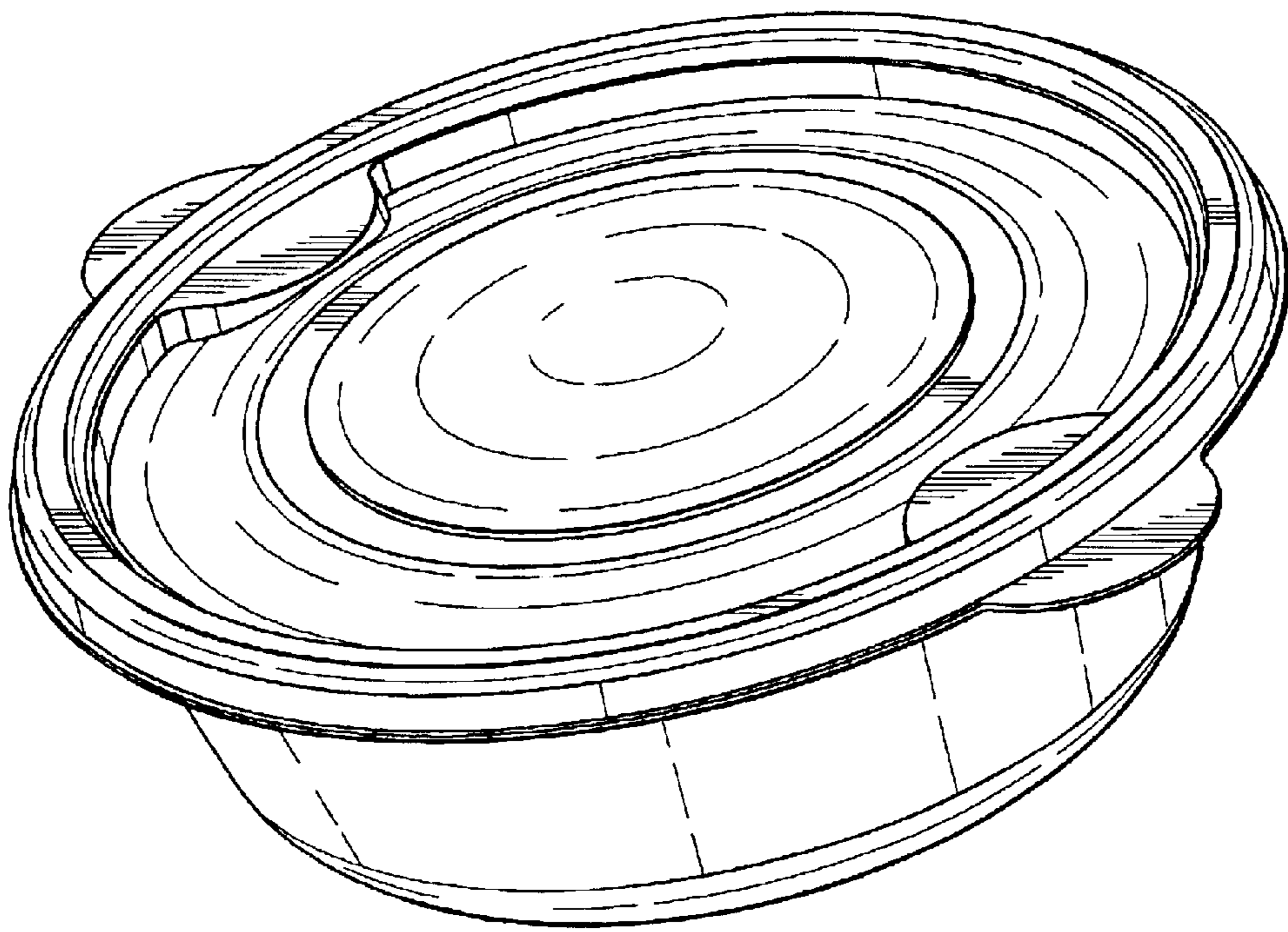


Fig. 2

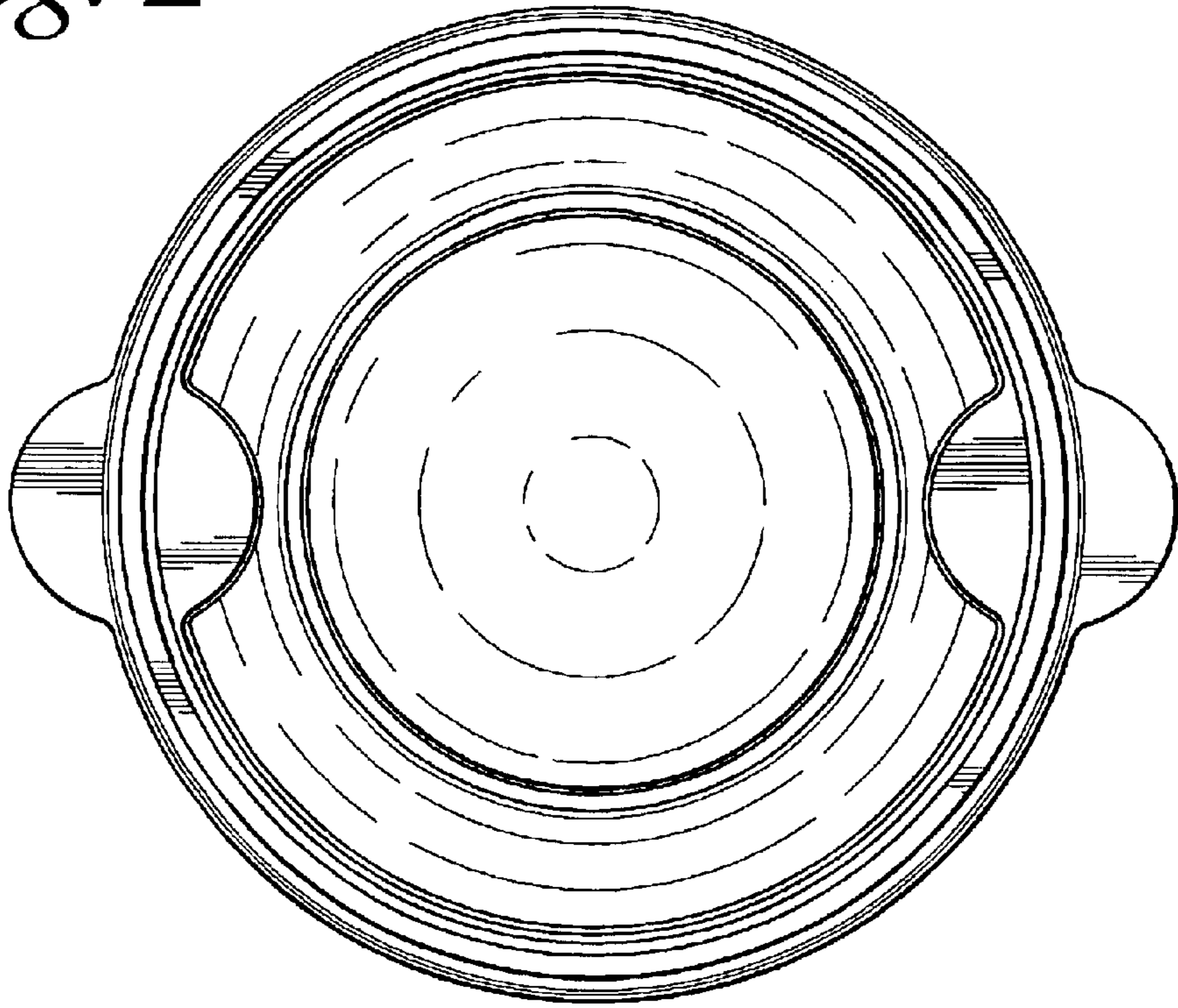


Fig. 3

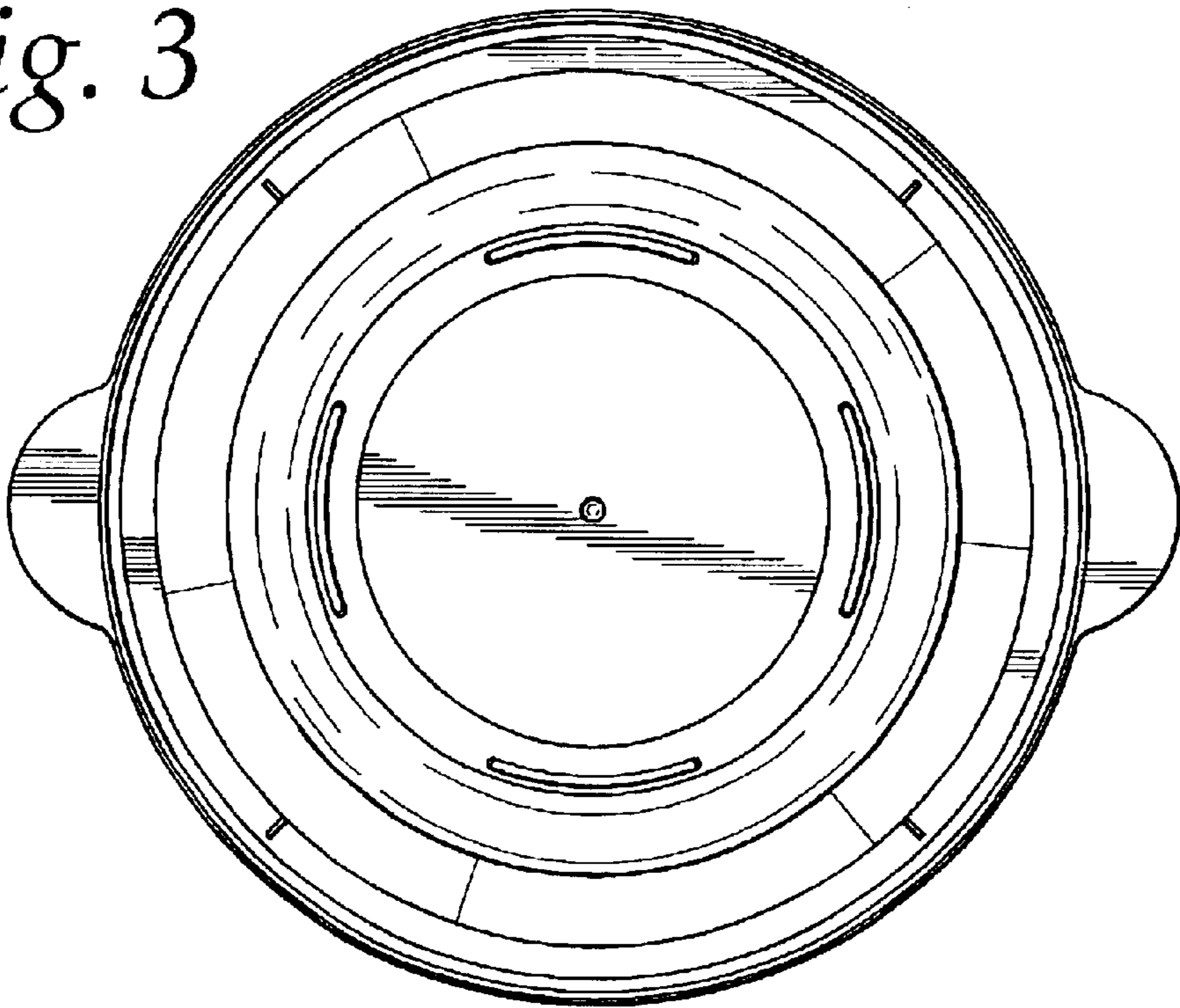


Fig. 4

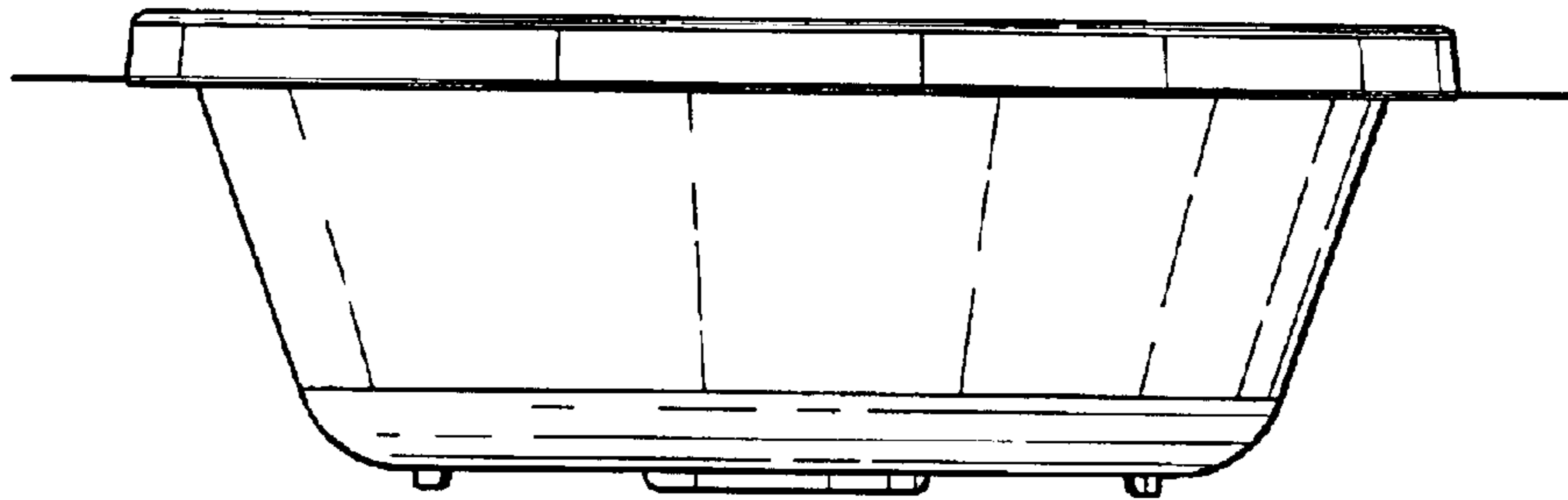


Fig. 5

