



US00D491022S

(12) **United States Design Patent**
Bodum

(10) **Patent No.:** **US D491,022 S**

(45) **Date of Patent:** **** Jun. 8, 2004**

(54) **MUG**

(75) **Inventor:** **Jørgen Bodum, St. Niklausen (CH)**

(73) **Assignee:** **PI-Design AG, Triengen (CH)**

(**) **Term:** **14 Years**

(21) **Appl. No.:** **29/195,163**

(22) **Filed:** **Dec. 9, 2003**

Related U.S. Application Data

(62) **Division of application No. 29/173,642, filed on Jan. 3, 2003.**

(30) **Foreign Application Priority Data**

Jul. 11, 2002 (DE) 2002-00556

(51) **LOC (7) Cl. 07-01**

(52) **U.S. Cl. D7/536; D7/531; D7/510; D7/511**

(58) **Field of Search D7/509, 510, 511, D7/533, 536, 531; 220/23.86, 729, 705, 710, 710.5, 715; 215/388, 396, 398, 13.1; 52/457.4**

(56) **References Cited**

U.S. PATENT DOCUMENTS

D428,306 S	*	7/2000	Lee	D7/510
D454,756 S	*	3/2002	Janky et al.	D7/510
D462,236 S	*	9/2002	Hurlbut	D7/510
D472,100 S	*	3/2003	Gullickson et al.	D7/510
D472,425 S	*	4/2003	Huribut et al.	D7/510
D481,590 S	*	11/2003	Lin	D7/510

* cited by examiner

Primary Examiner—M. N. Pandozzi

(74) *Attorney, Agent, or Firm*—Nath & Associates PLLC

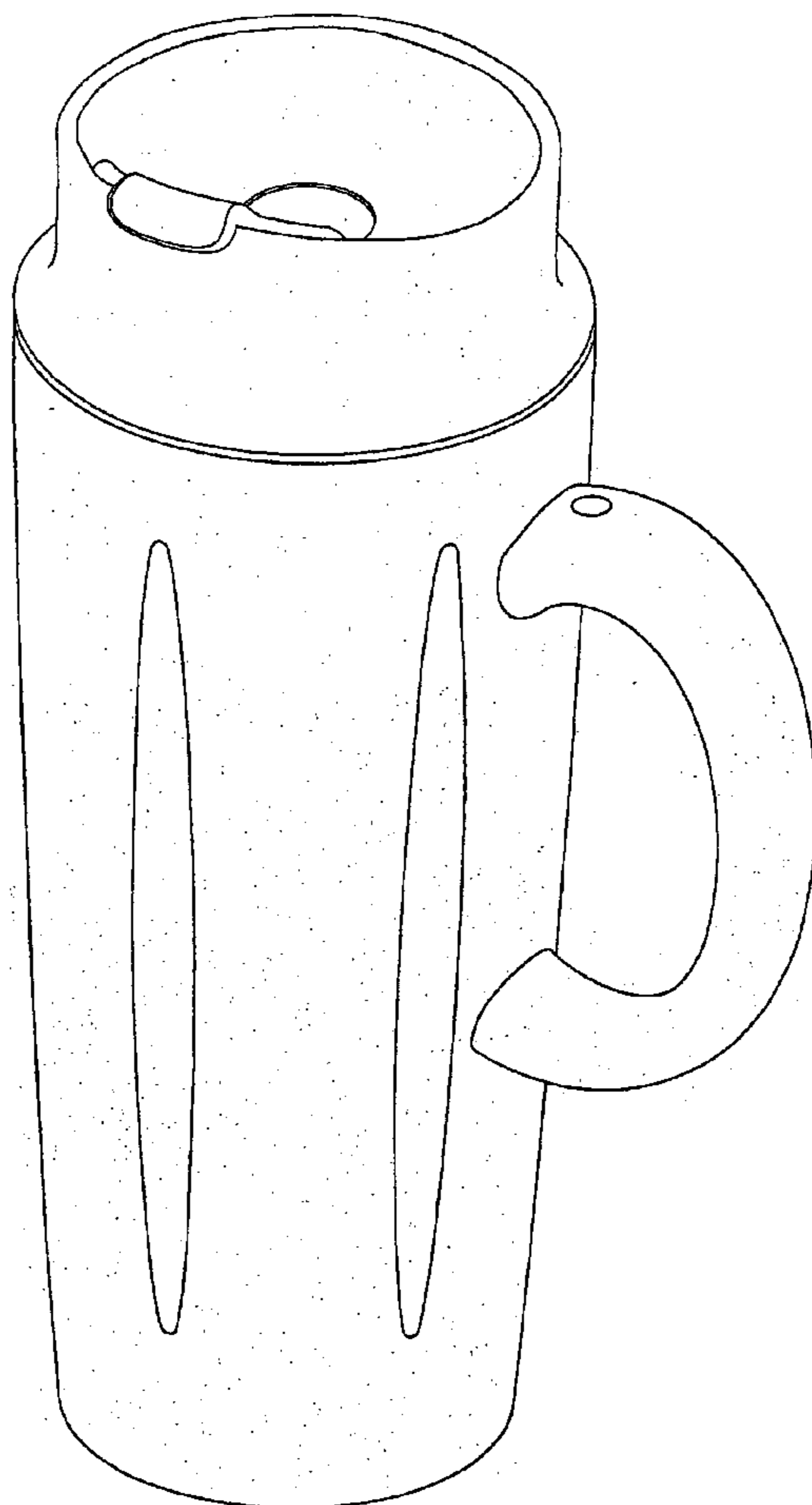
(57) **CLAIM**

The ornamental design for a mug, as shown and described.

DESCRIPTION

FIG. 1 is an oblique perspective view of the mug; and, FIG. 2 is a top view of the mug as shown in FIG. 1.

1 Claim, 2 Drawing Sheets



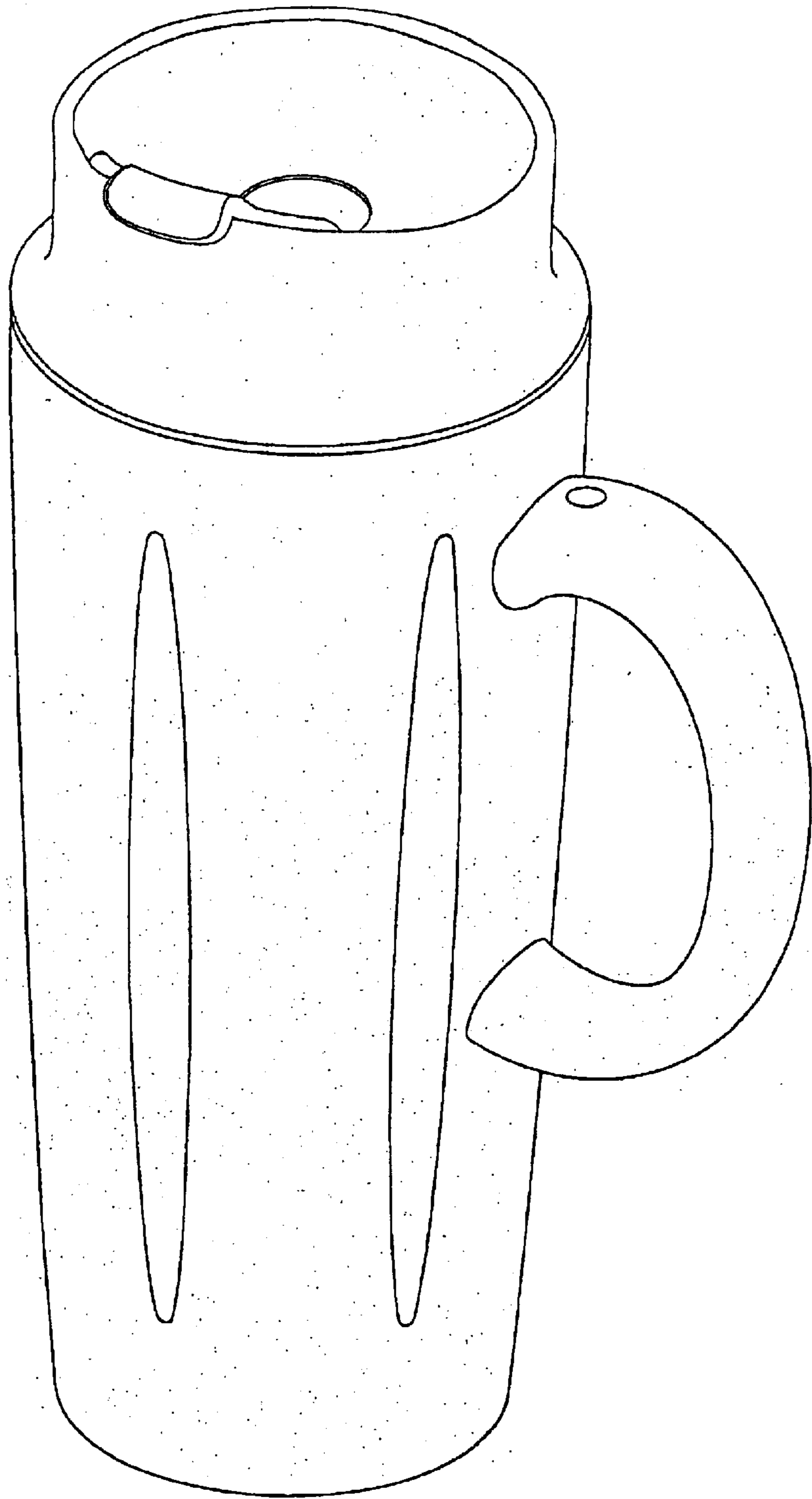


Fig. 1

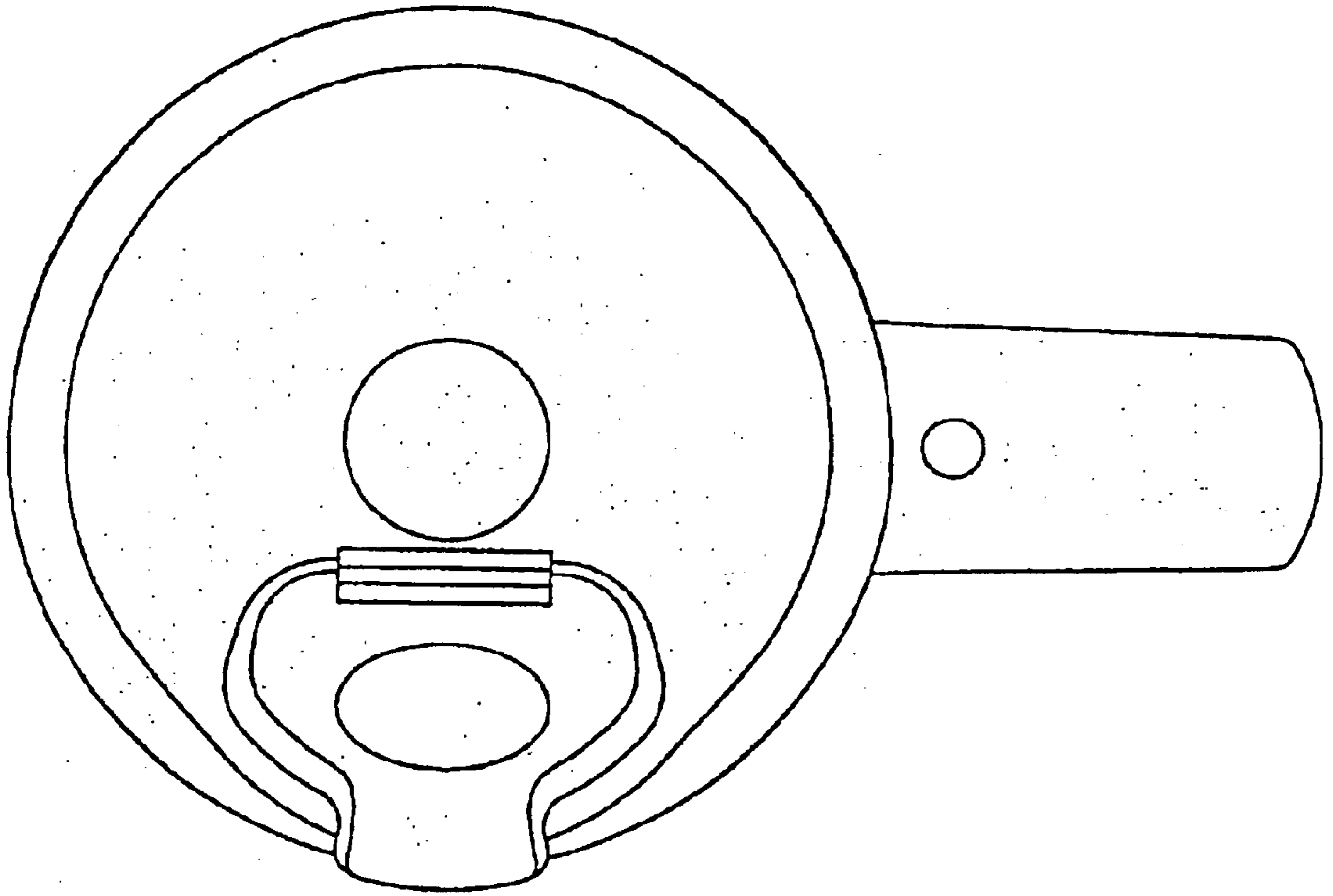


Fig. 2