



US00D491019S

(12) **United States Design Patent**
Marsden et al.

(10) **Patent No.:** **US D491,019 S**

(45) **Date of Patent:** **** Jun. 8, 2004**

(54) **JIGGER**

(75) **Inventors:** **Douglas A. Marsden**, Marblehead, MA (US); **Benjamin J. Beck**, Boston, MA (US)

(73) **Assignee:** **World Kitchen (GHC), LLC**, Reston, VA (US)

(**) **Term:** **14 Years**

(21) **Appl. No.:** **29/191,967**

(22) **Filed:** **Oct. 16, 2003**

(51) **LOC (7) Cl.** **07-01**

(52) **U.S. Cl.** **D7/523; D7/532; D7/509**

(58) **Field of Search** D7/396.6, 515, D7/350.1, 509, 523, 543, 507, 532, 584; D8/34; D11/152; 206/520; 229/400; 40/324; 220/705, 710, 737, 675, 703; 215/388, 387, DIG. 7

(56) **References Cited**

U.S. PATENT DOCUMENTS

2,861,716	A	*	11/1958	Kramer	220/703
3,028,035	A	*	4/1962	Leong	40/324
D209,307	S	*	11/1967	Schilling	D7/523
D288,515	S	*	3/1987	Rimmeir	D7/584

D345,716	S	*	4/1994	Kwiatkowski	D11/152
D360,558	S	*	7/1995	Appleman	D7/507
D367,413	S	*	2/1996	Ballin	D8/34
D371,939	S	*	7/1996	Rigney	D7/543
D428,771	S	*	8/2000	Novi	D7/550.1
D443,476	S	*	6/2001	Miura	D7/507
D456,211	S	*	4/2002	Price	D7/509
D457,389	S	*	5/2002	Snell	D7/396.6
D458,807	S	*	6/2002	Trazzi	D7/532
D459,946	S	*	7/2002	Willat	D7/509
D471,404	S	*	3/2003	Gady	D7/523
D480,269	S	*	10/2003	Currier	D7/515

* cited by examiner

Primary Examiner—M N Pandozzi

(74) *Attorney, Agent, or Firm*—Seyfarth Shaw LLP

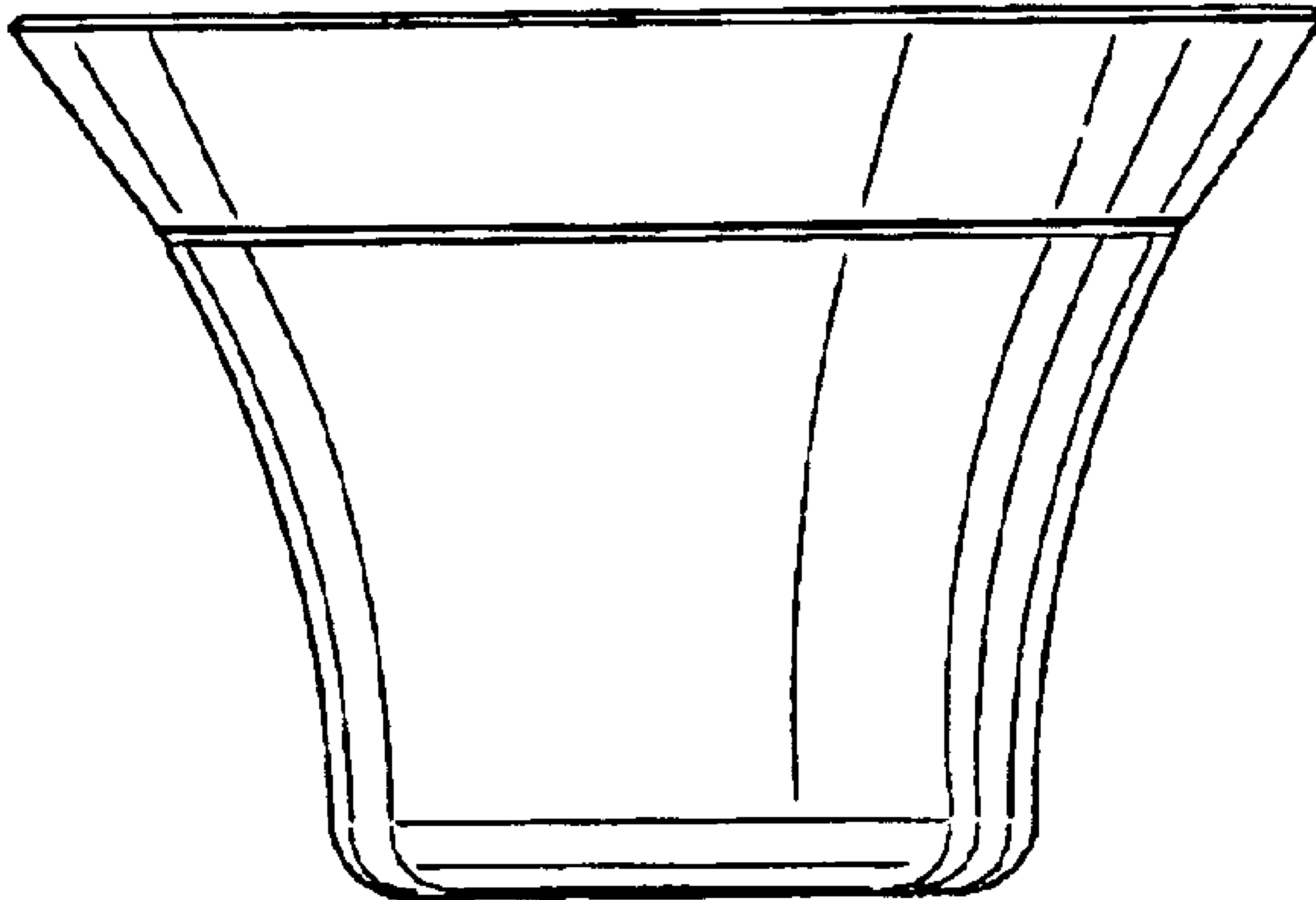
(57) **CLAIM**

The ornamental design for the jigger, as shown and described.

DESCRIPTION

FIG. 1 is a perspective view of the jigger incorporating our new design;
FIG. 2 is a top plan view of the jigger thereof;
FIG. 3 is a side elevational view thereof; and,
FIG. 4 is a bottom plan view thereof.

1 Claim, 1 Drawing Sheet



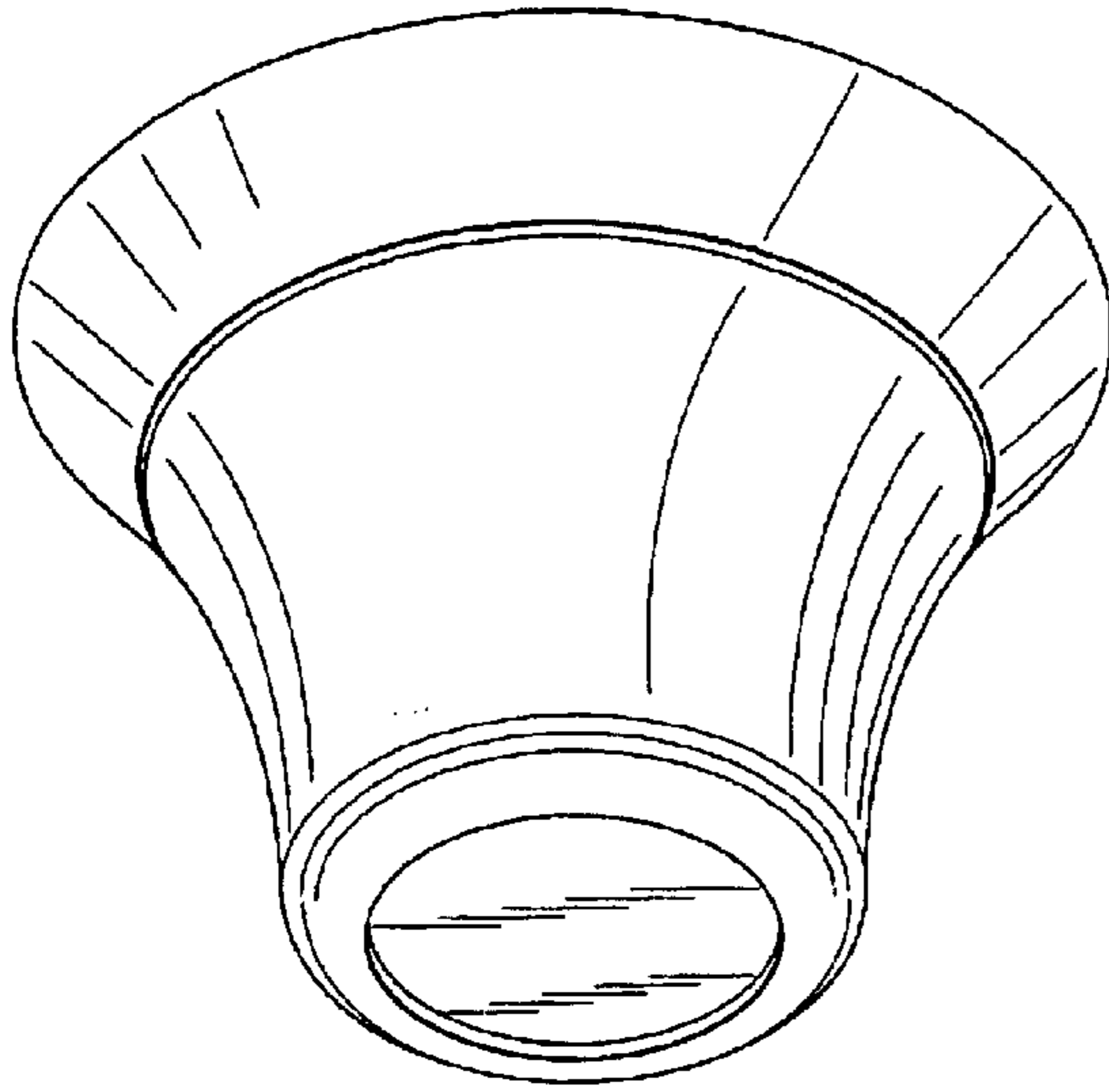


FIG. 1

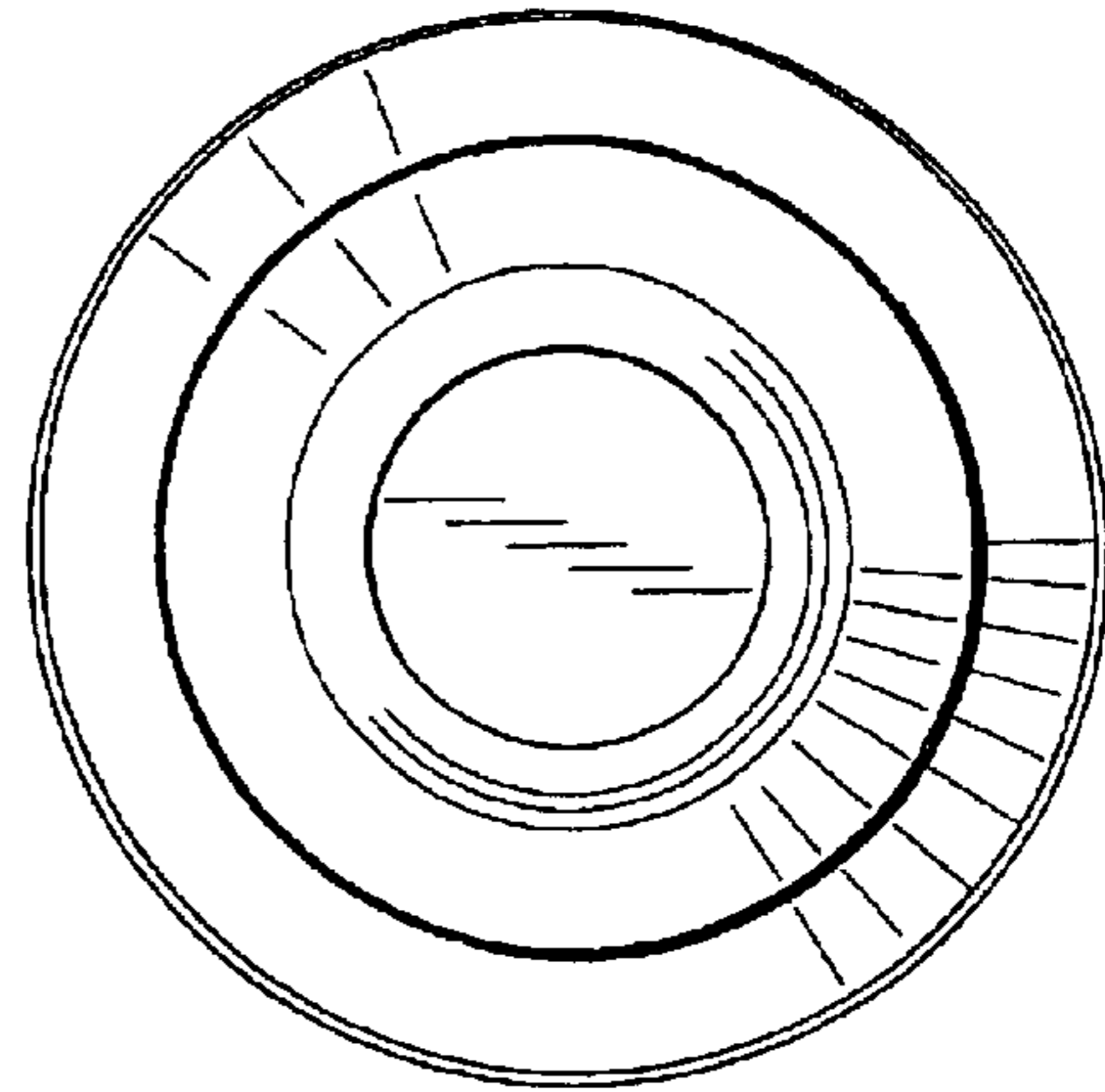


FIG. 2

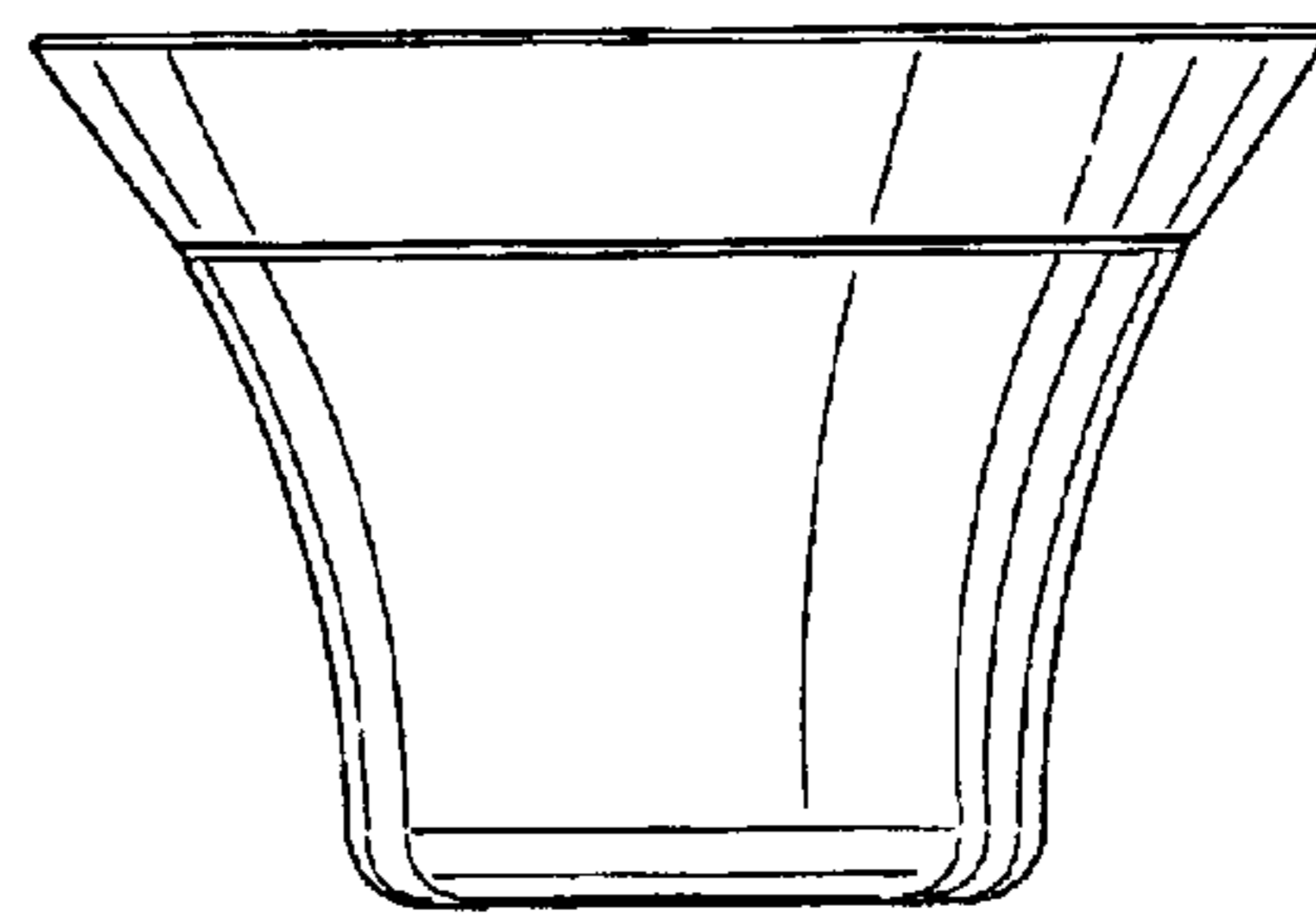


FIG. 3

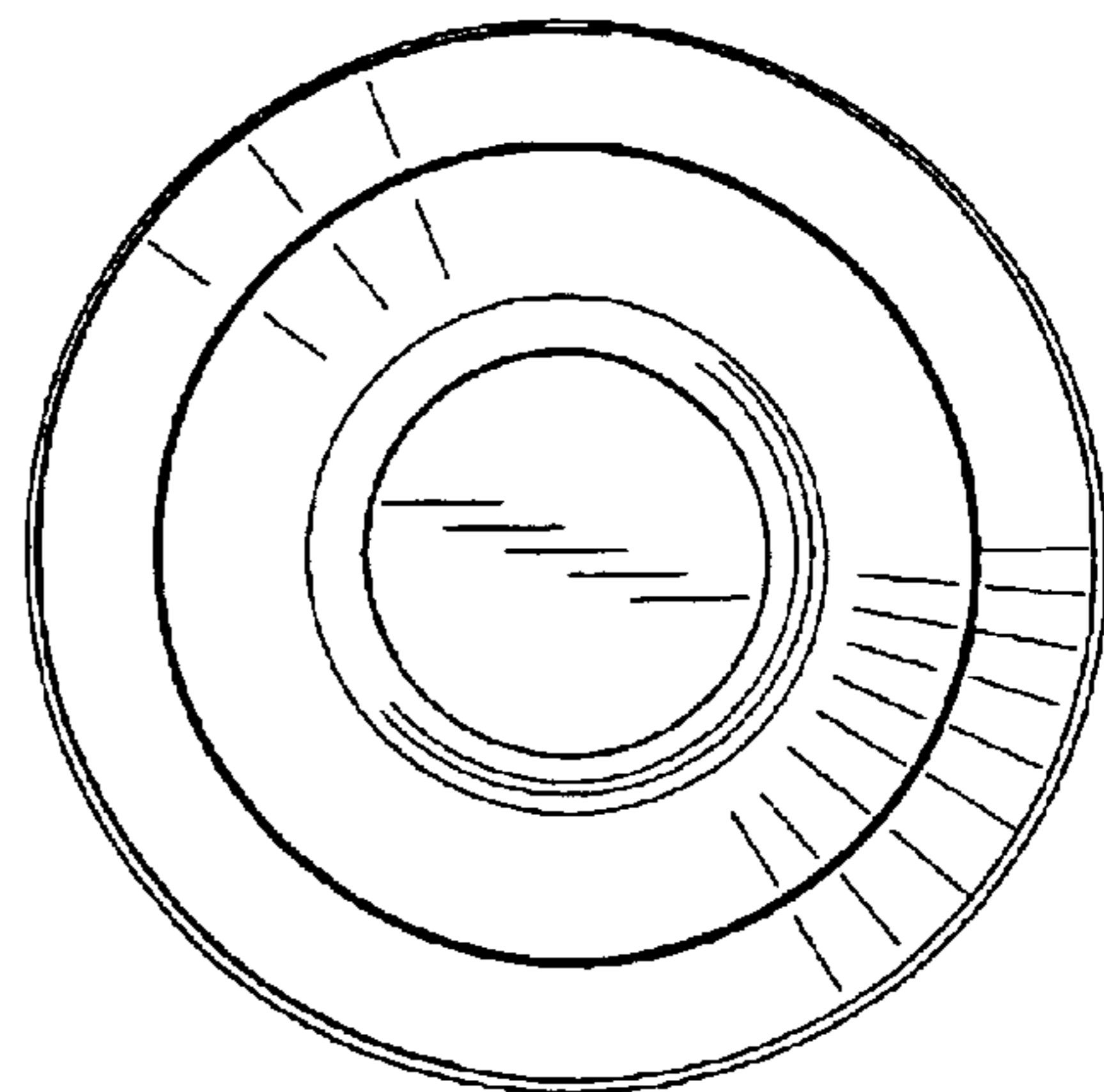


FIG. 4