



US00D491018S

(12) **United States Design Patent**
Vinarsky

(10) **Patent No.:** **US D491,018 S**

(45) **Date of Patent:** **** Jun. 8, 2004**

(54) **SPORTS BOTTLE AND BOTTLE CARRIER FOR BICYCLE USE**

(76) Inventor: **Michael A. Vinarsky**, 728 Red Barn La., Elgin, IL (US) 60123

(**) Term: **14 Years**

(21) Appl. No.: **29/188,954**

(22) Filed: **Aug. 28, 2003**

(51) **LOC (7) Cl.** **07-01**

(52) **U.S. Cl.** **D7/507; D7/620; D7/510; D3/202**

(58) **Field of Search** D7/507, 509, 510, D7/511, 619.1, 620, 622, 607, 624.3; D3/202, 215, 229; D9/540, 455; 222/568; 210/120, 136, 266; 215/393, 12.1, 12.2; 220/705, 603, 903, 592.1; D12/11 A

(56) **References Cited**

U.S. PATENT DOCUMENTS

D272,139 S	*	1/1984	Boughton	D7/510
4,871,597 A	*	10/1989	Hobson	428/36.1
5,147,079 A	*	9/1992	Heather	224/148.6
D350,672 S	*	9/1994	Egger et al.	D7/510
5,545,315 A	*	8/1996	Lonneman	210/120
D374,975 S	*	10/1996	Vargas et al.	D3/202
D379,711 S	*	6/1997	Fitzgerald	D3/202
D387,197 S	*	12/1997	Huang	D3/271
D387,902 S	*	12/1997	Yin	D3/271
D388,663 S	*	1/1998	Rausch	D7/624
D391,447 S	*	3/1998	Reid	D7/510
D391,448 S	*	3/1998	Winer et al.	D7/510
D399,049 S	*	10/1998	Adams	D3/202
D408,689 S	*	4/1999	Kato	D7/608
D409,371 S	*	5/1999	Adams	D3/202
D412,087 S	*	7/1999	Spencer	D7/510
D412,120 S	*	7/1999	Payne et al.	D9/540
D415,390 S	*	10/1999	Winnington-Ingram	D7/507
D433,729 S	*	11/2000	Poirier et al.	D23/209
D436,802 S	*	1/2001	Kaposi et al.	D7/510

(List continued on next page.)

Primary Examiner—Marianne Pandozzi

(74) *Attorney, Agent, or Firm*—Charles F. Lind

(57) **CLAIM**

The ornamental design of the sports bottle and bottle carrier for bicycle use, substantially as shown and described.

DESCRIPTION

FIG. 1 is a side elevational view of the inventive bottle and carrier, shown in phantom how such might be mounted on a bicycle frame bar;

FIGS. 2 and 3 show the invention from opposite ends of FIG. 1;

FIGS. 4 and 5 show the invention from opposite sides of FIG. 1;

FIG. 6 shows the inventive from the bottom of FIG. 1;

FIGS. 7 and 8 are different perspective views of the invention if FIG. 1;

FIG. 9 is a side elevational view thereof showing the bottle portion with the closure cap removed and the carrier removed for ease of illustration;

FIGS. 10 and 11 show the invention from opposite ends of FIG. 9;

FIGS. 12 and 13 show the inventive from opposite sides of FIG. 9;

FIG. 14 shows the invention from the bottom of FIG. 9;

FIGS. 15 and 16 are different perspective views of the invention of FIG. 9;

FIG. 17 is a side elevational view thereof showing the carrier portion with the sport bottle removed for ease of illustration;

FIGS. 18 and 19 show the invention from opposite ends of FIG. 17;

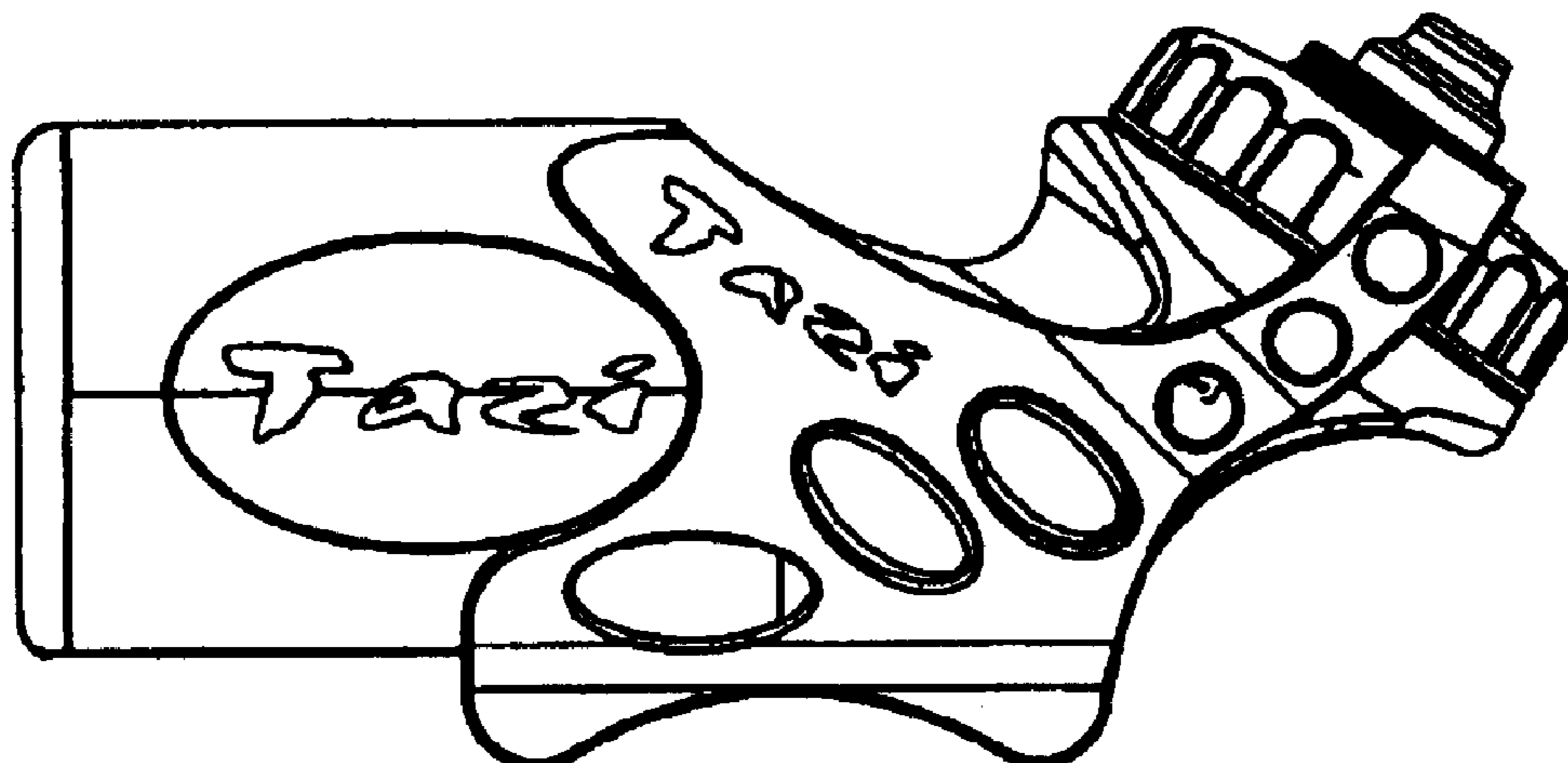
FIGS. 20 and 21 show the inventive from opposite sides of FIG. 17;

FIG. 22 shows the invention from the bottom of FIG. 17; and,

FIGS. 23 and 24 are different perspective views of the invention of FIG. 17.

The broken line showing of a portion of a bicycle frame in FIGS. 17, 18, and 19 is for illustrative purposes only and forms no part of the claimed design.

1 Claim, 3 Drawing Sheets



US D491,018 S

Page 2

U.S. PATENT DOCUMENTS

D440,496 S	*	4/2001	Adam et al.	D9/455	D464,849 S	*	10/2002	Norris et al.	D7/523
D444,349 S	*	7/2001	Lin	D7/510	D468,095 S	*	1/2003	Kelley	D3/229
D445,688 S	*	7/2001	Webb	D9/455	D474,367 S	*	5/2003	Turchi et al.	D7/316
D456,599 S	*	5/2002	Lekacos	D3/202	D477,183 S	*	7/2003	Janky	D7/509
D457,035 S	*	5/2002	Hurlbut	D7/510	D479,949 S	*	9/2003	Janky	D7/511

* cited by examiner

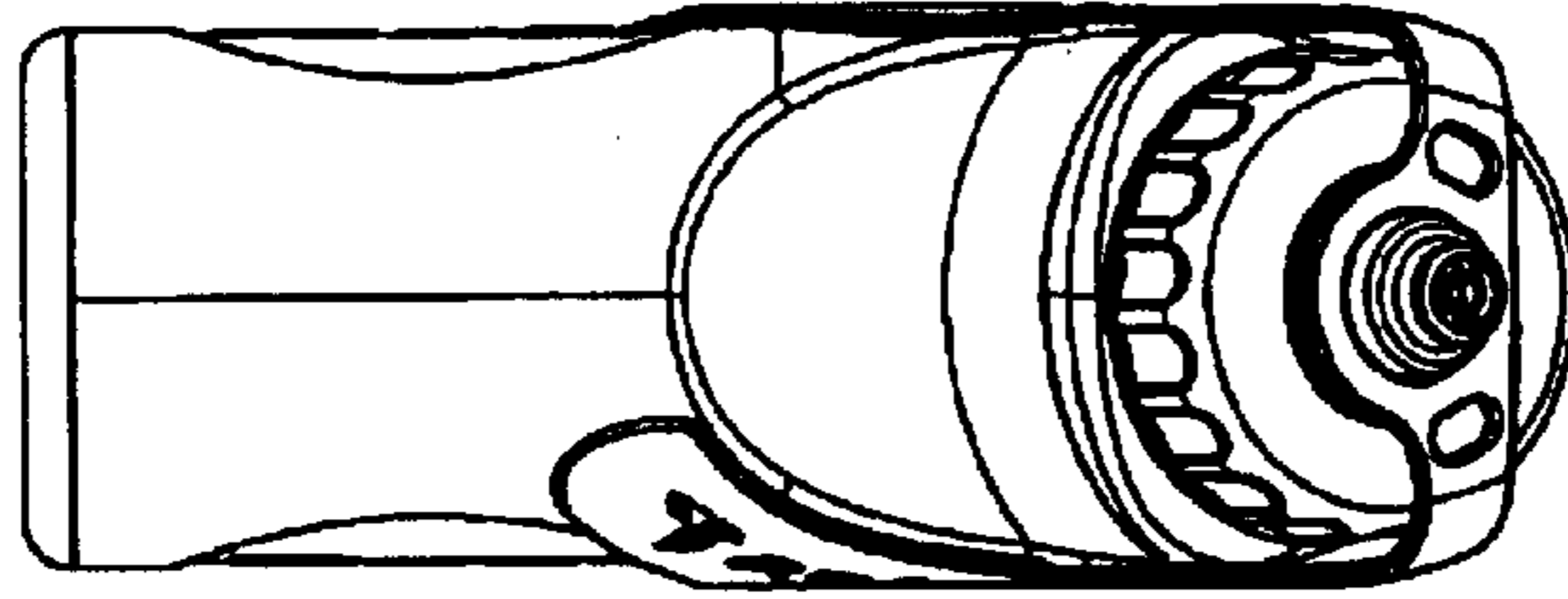


FIG. 4

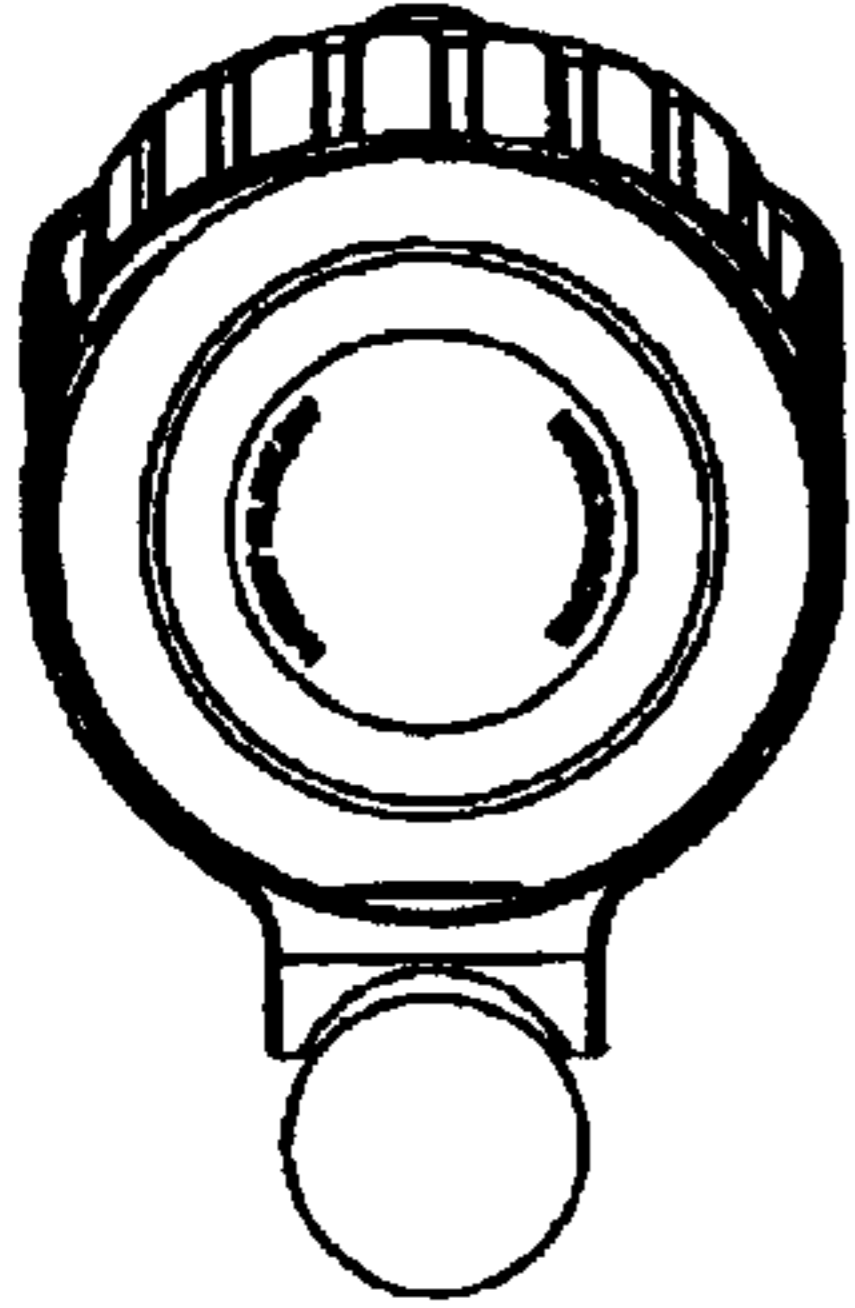


FIG. 2

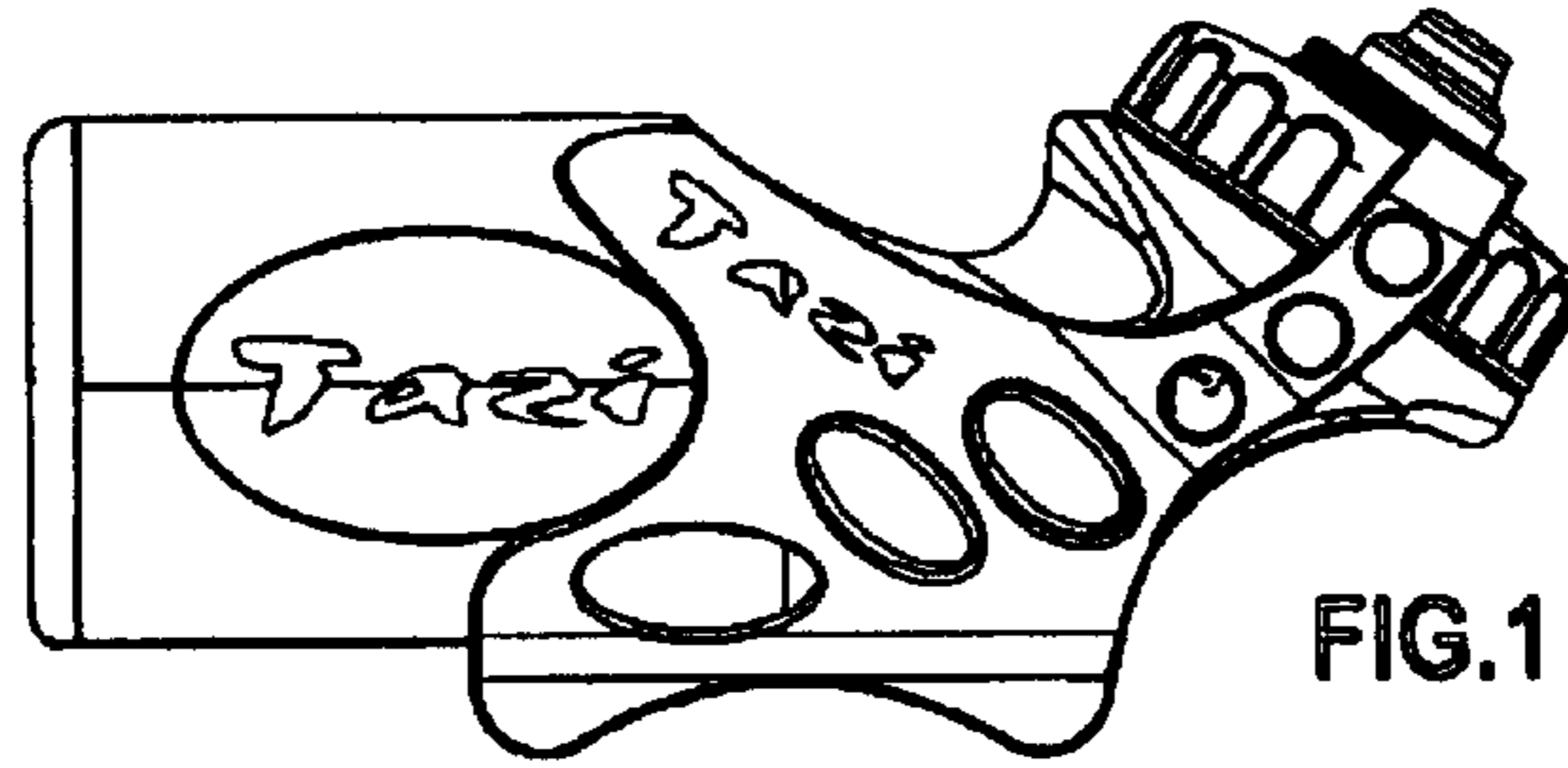


FIG. 1

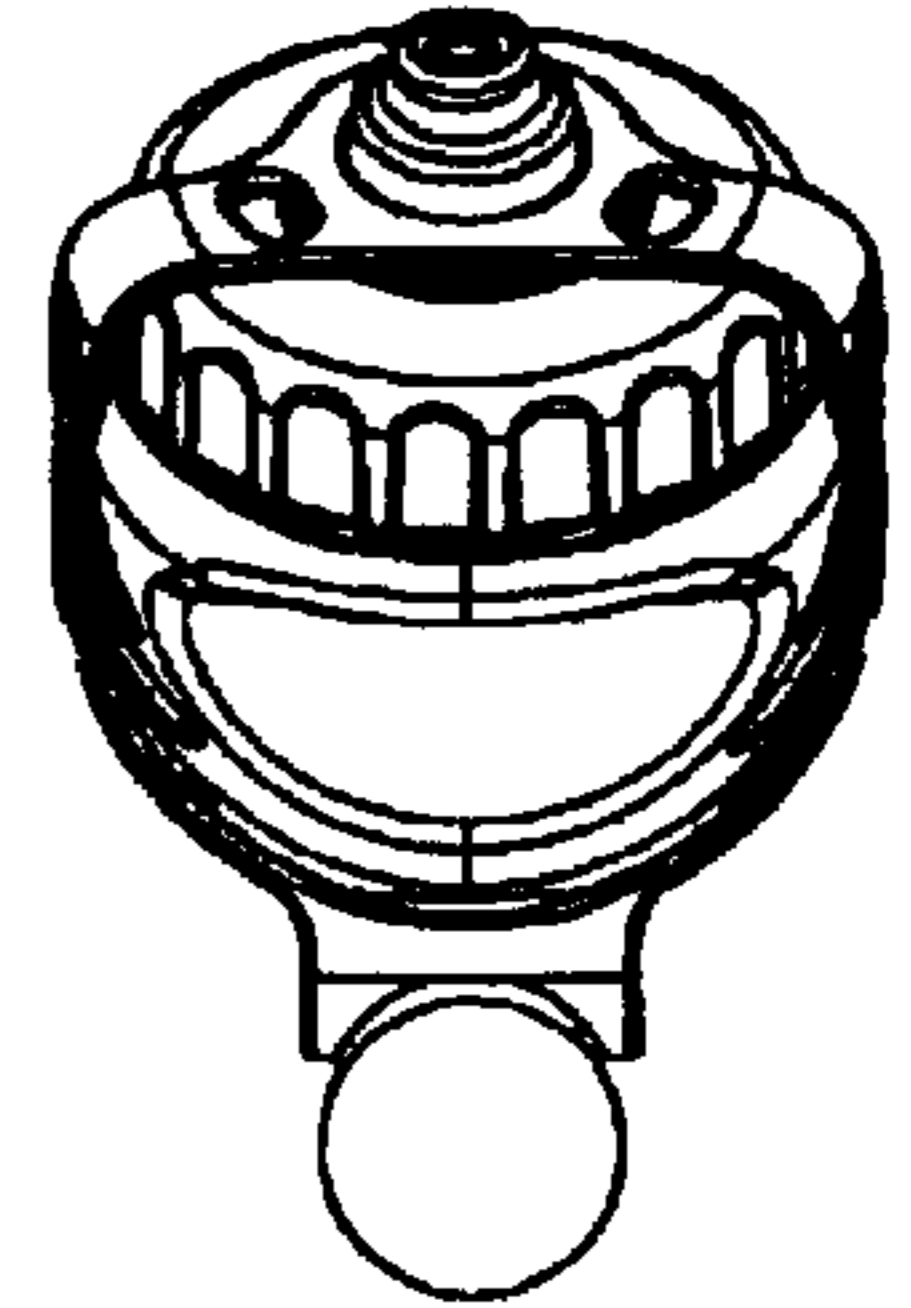


FIG. 3

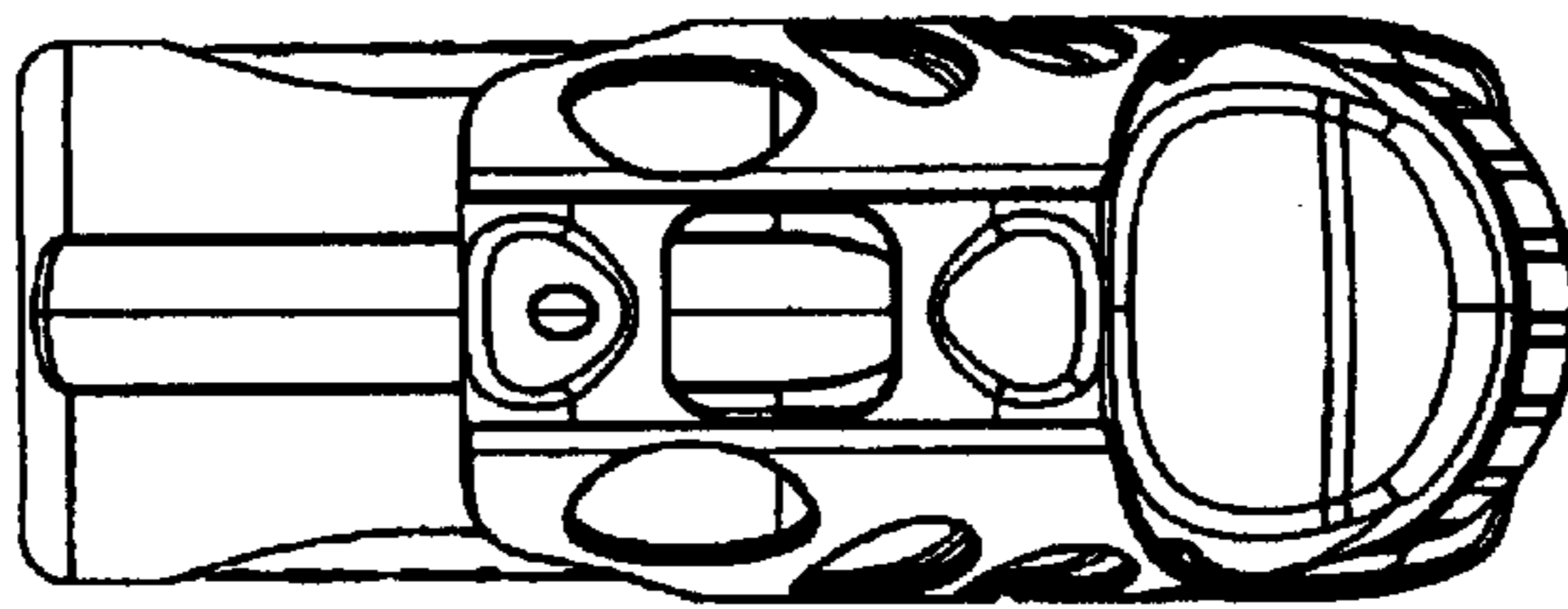


FIG. 5

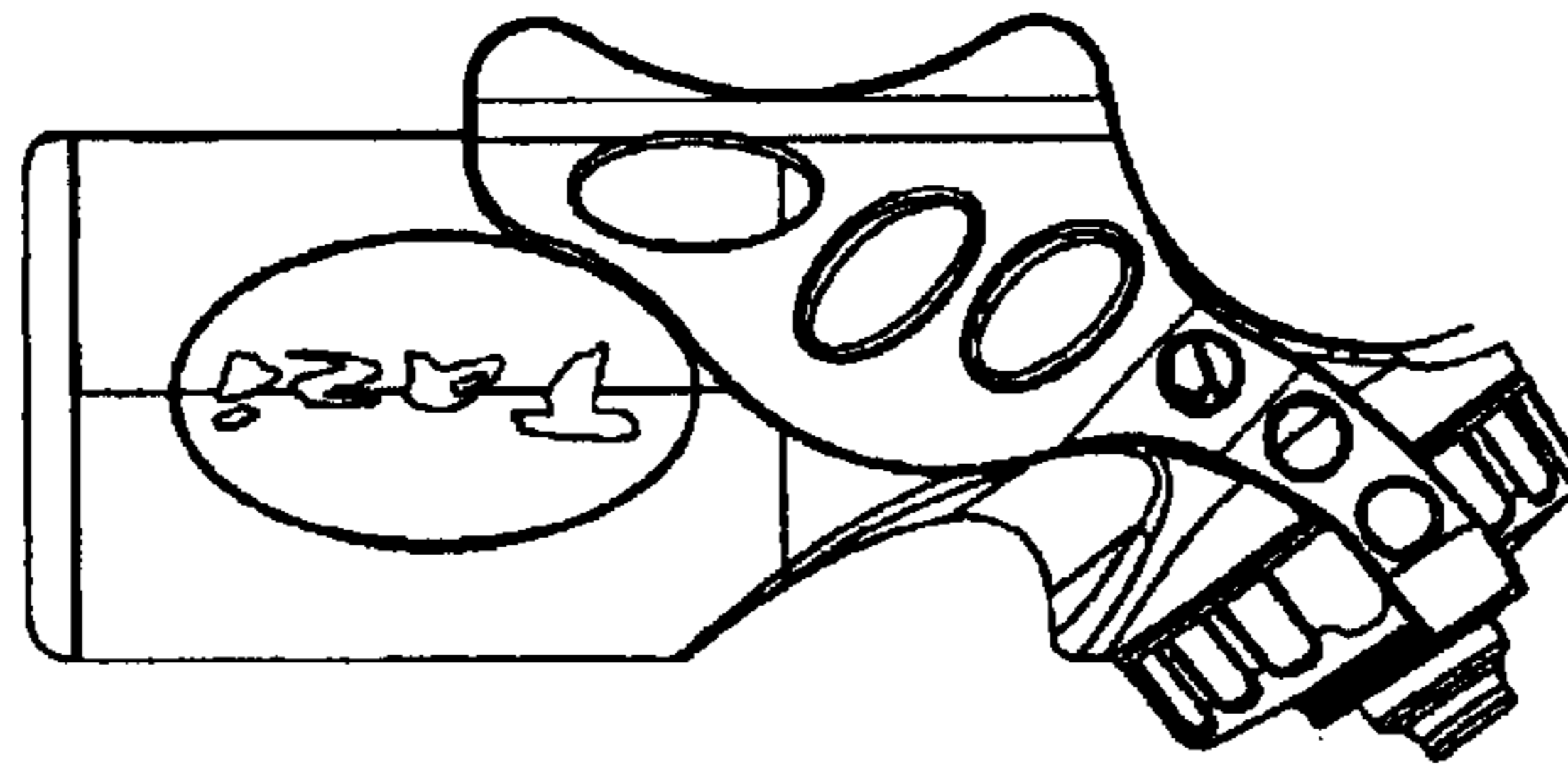


FIG. 6

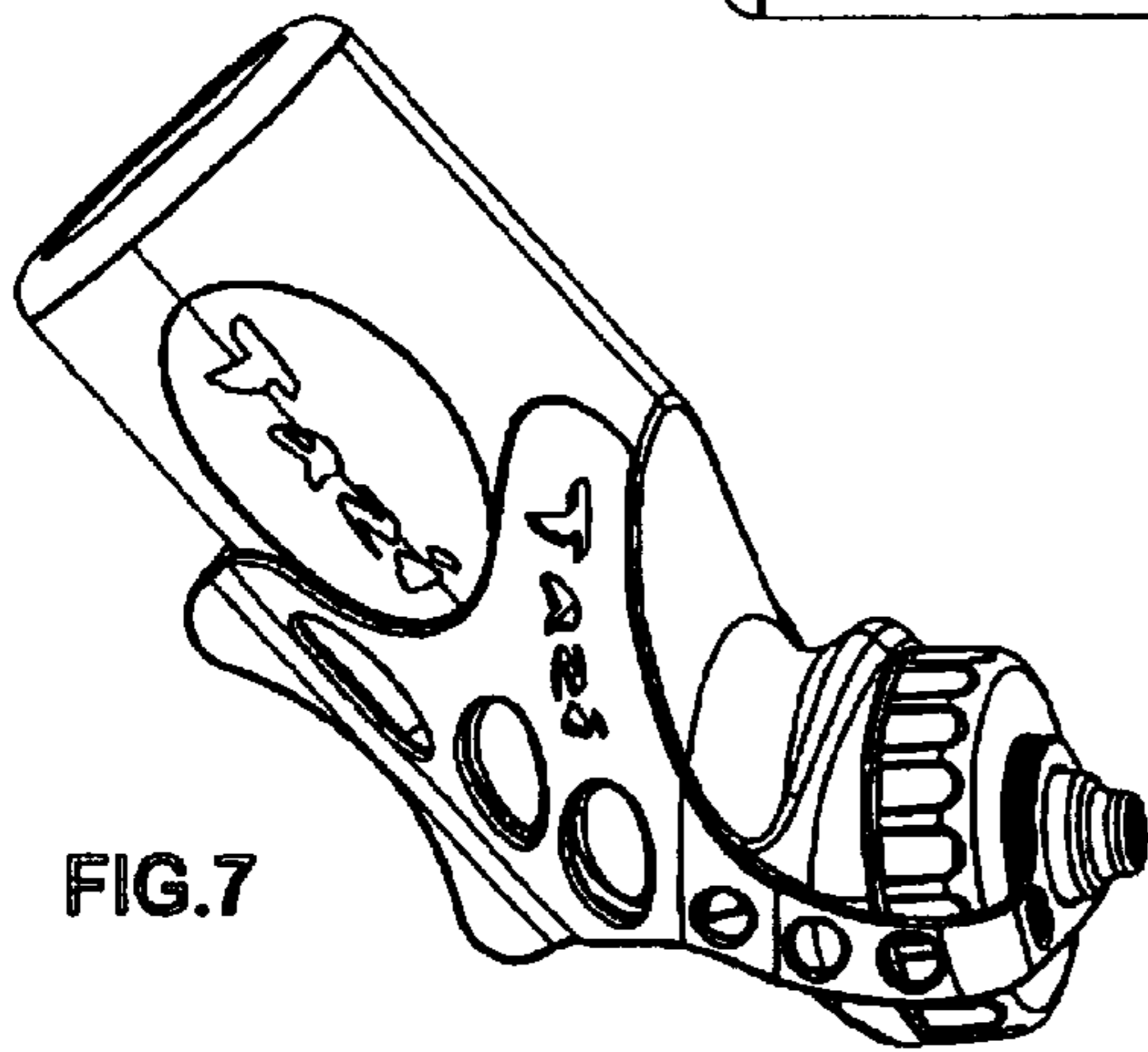


FIG. 7

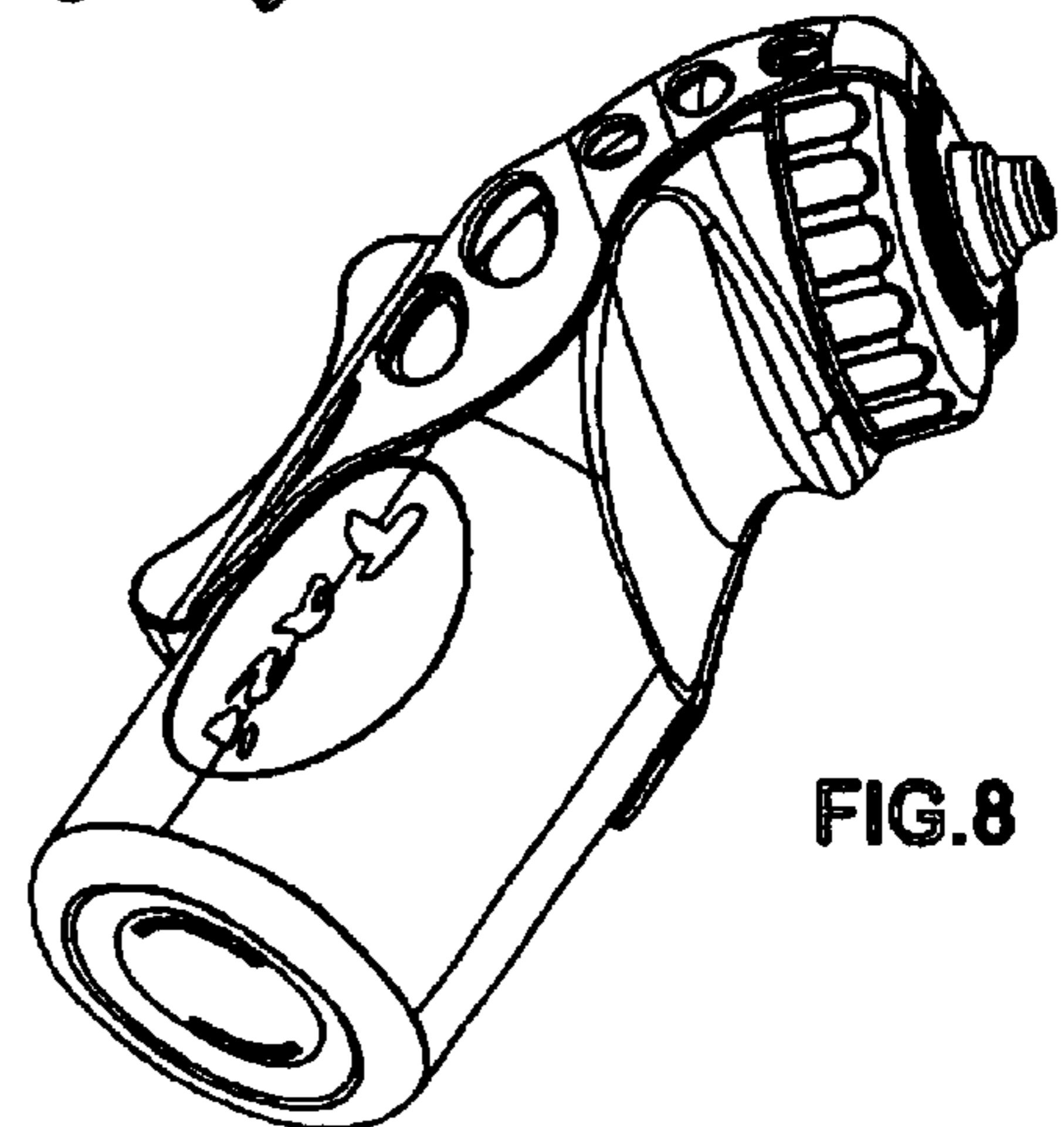


FIG. 8

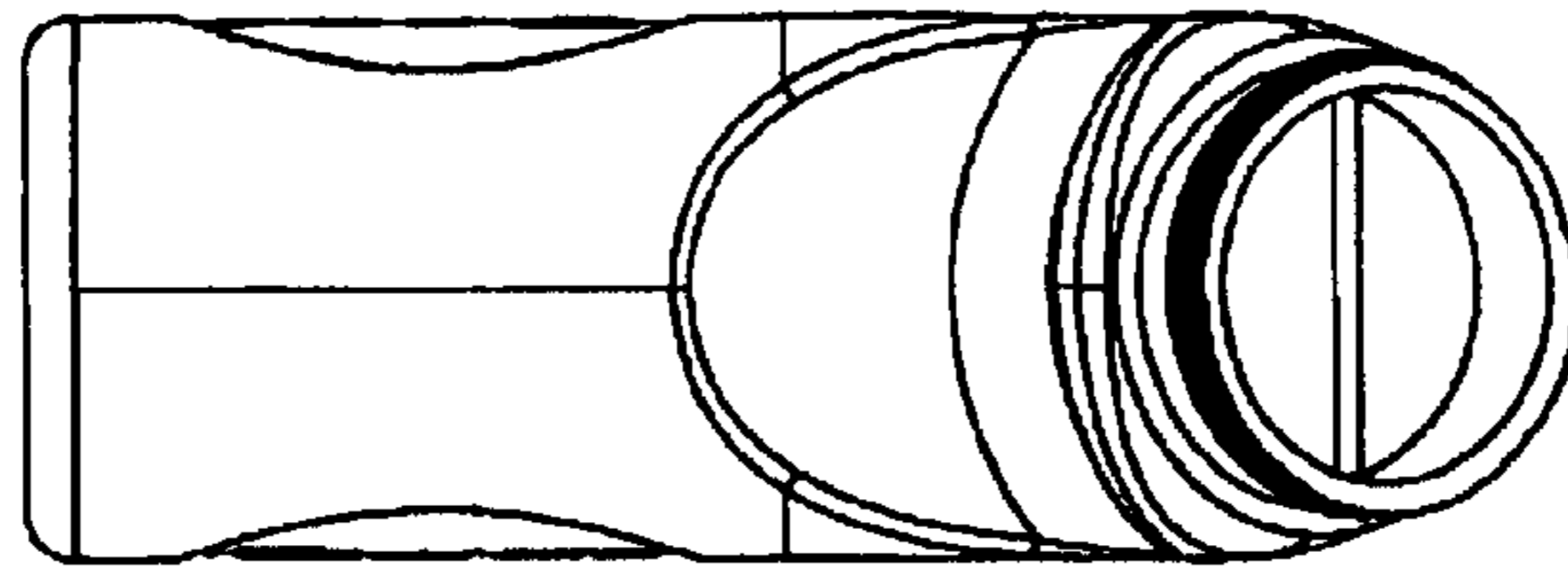


FIG. 12

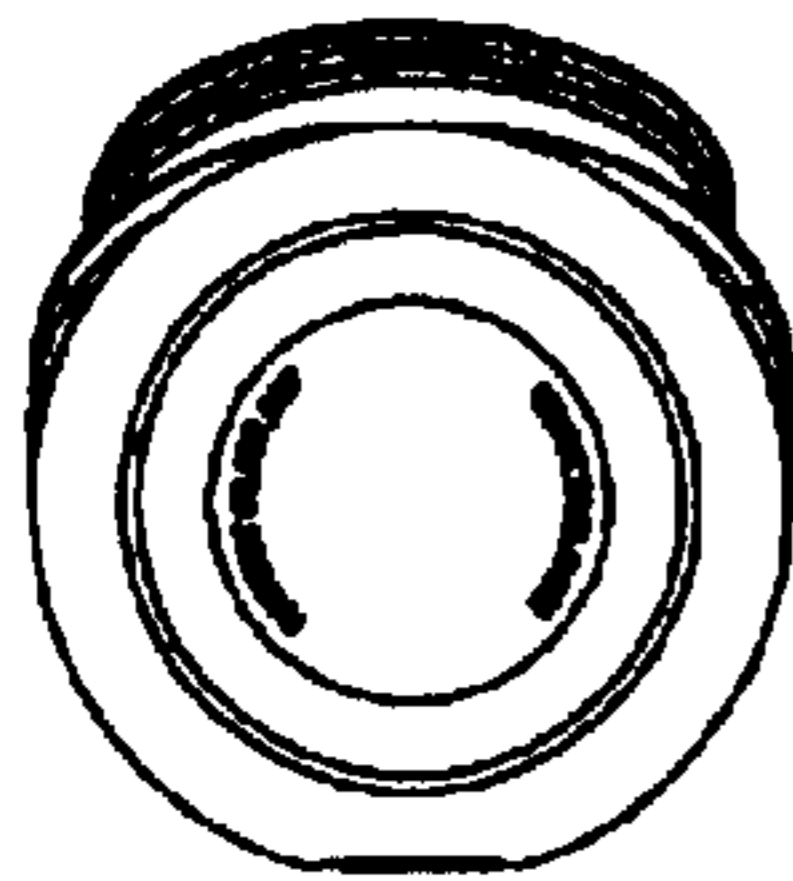


FIG. 10

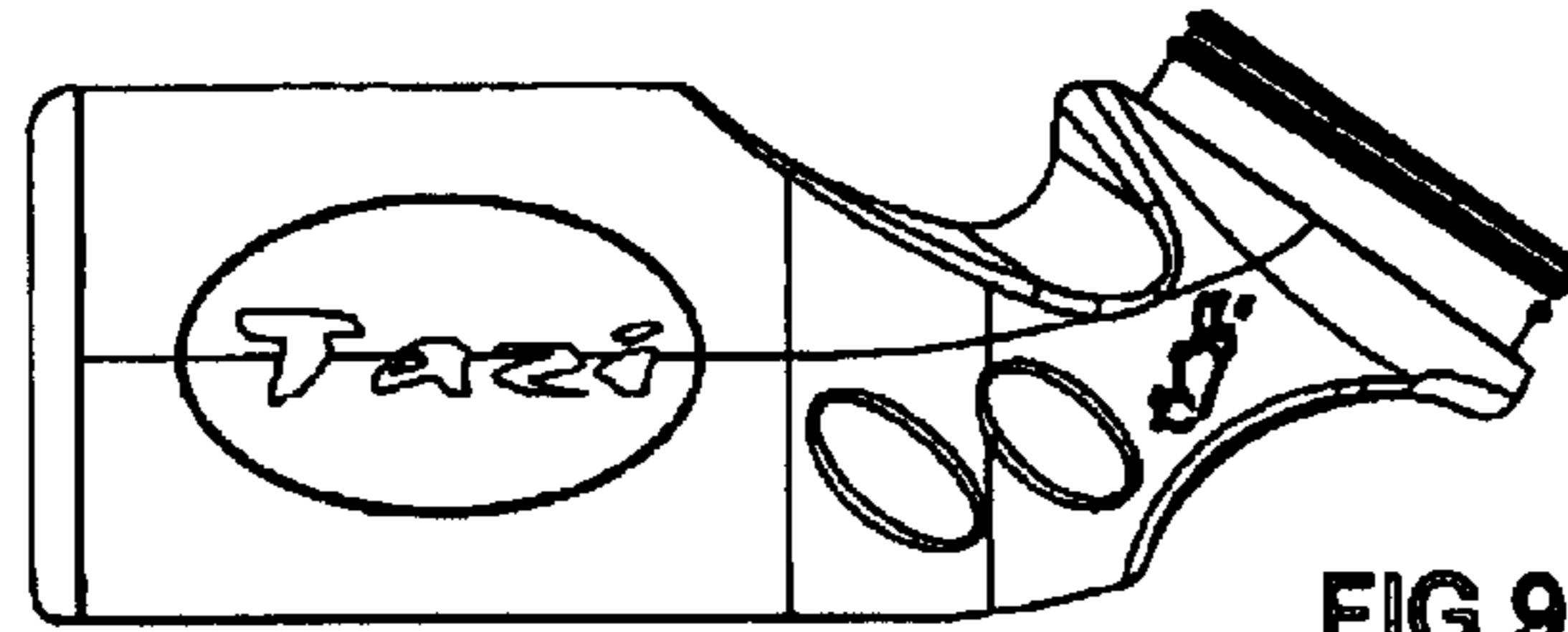


FIG. 9

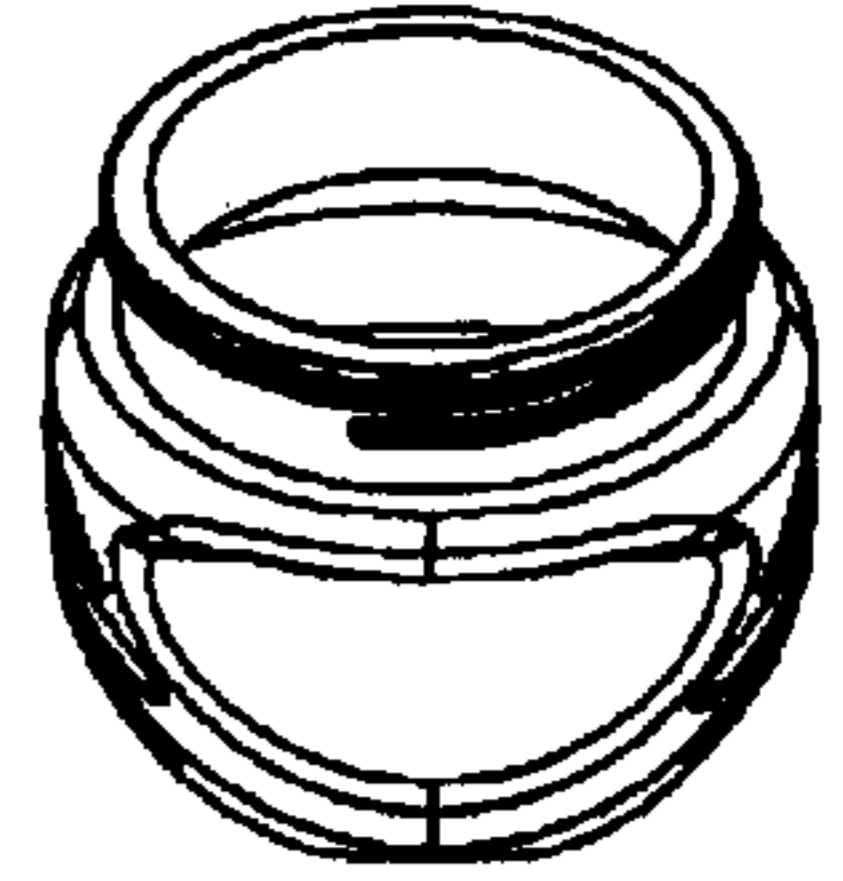


FIG. 11

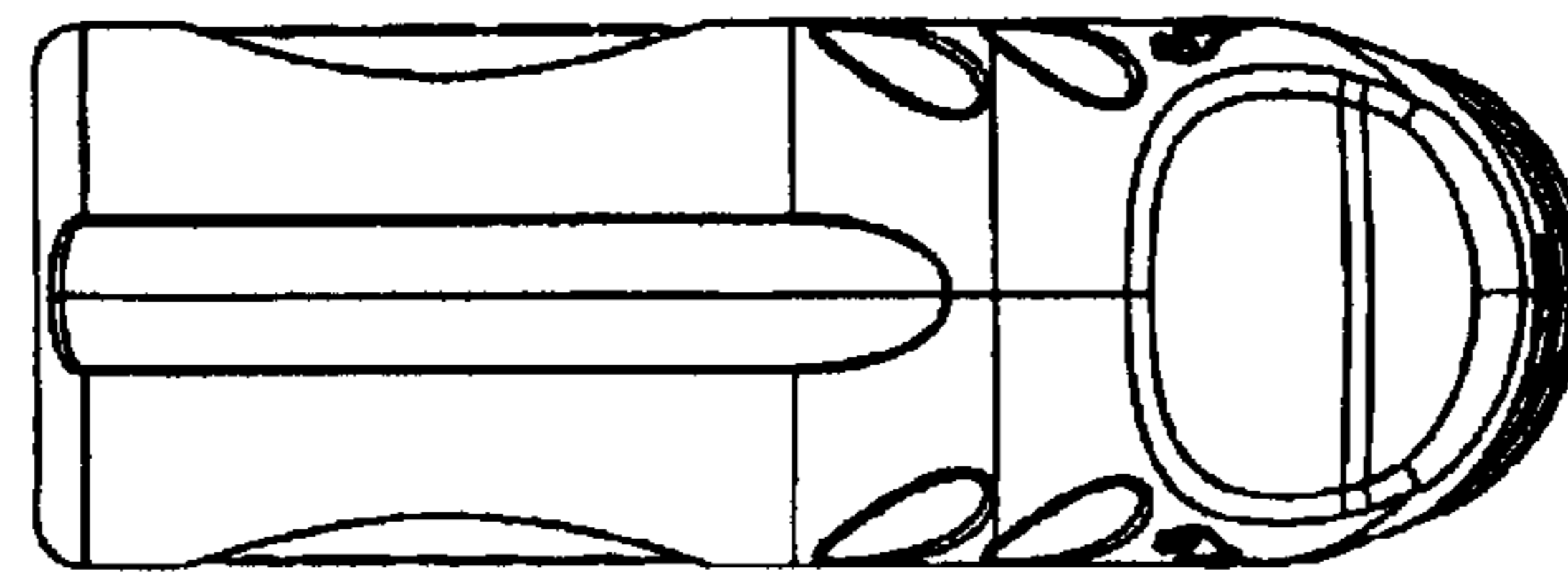


FIG. 13

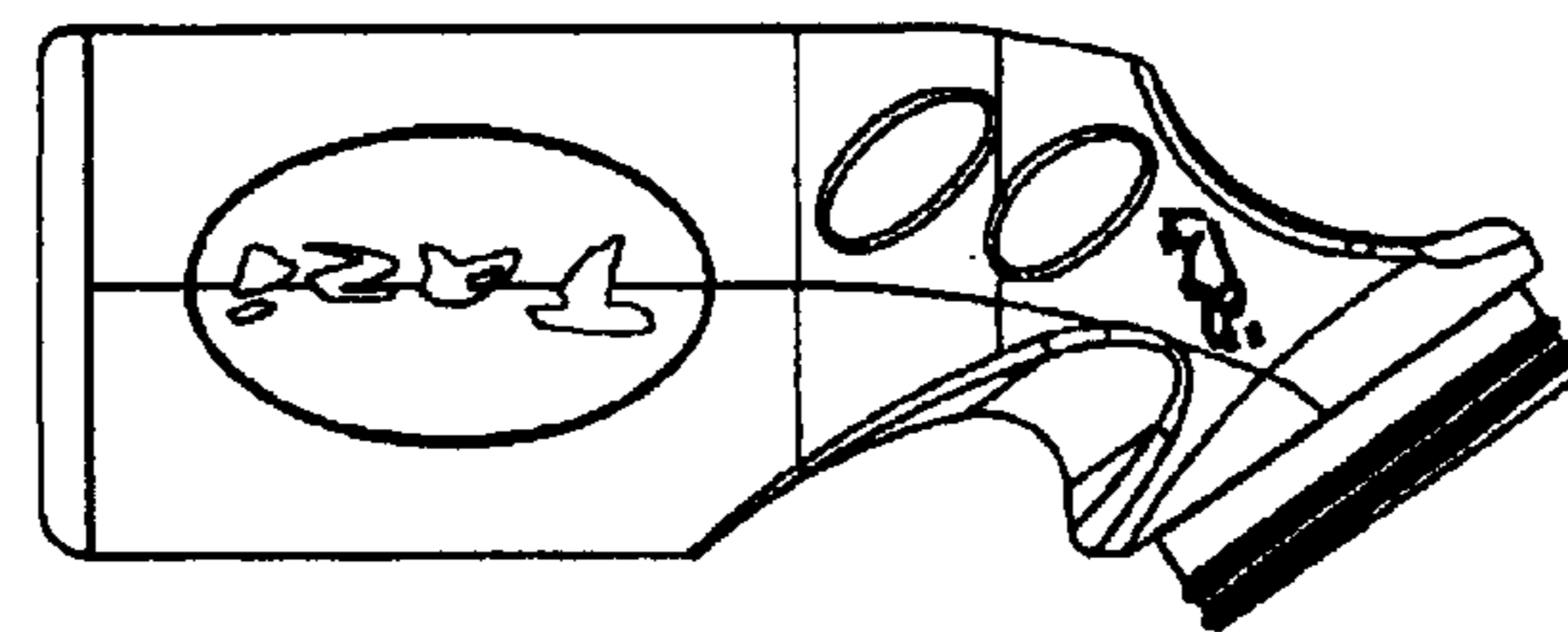


FIG. 14

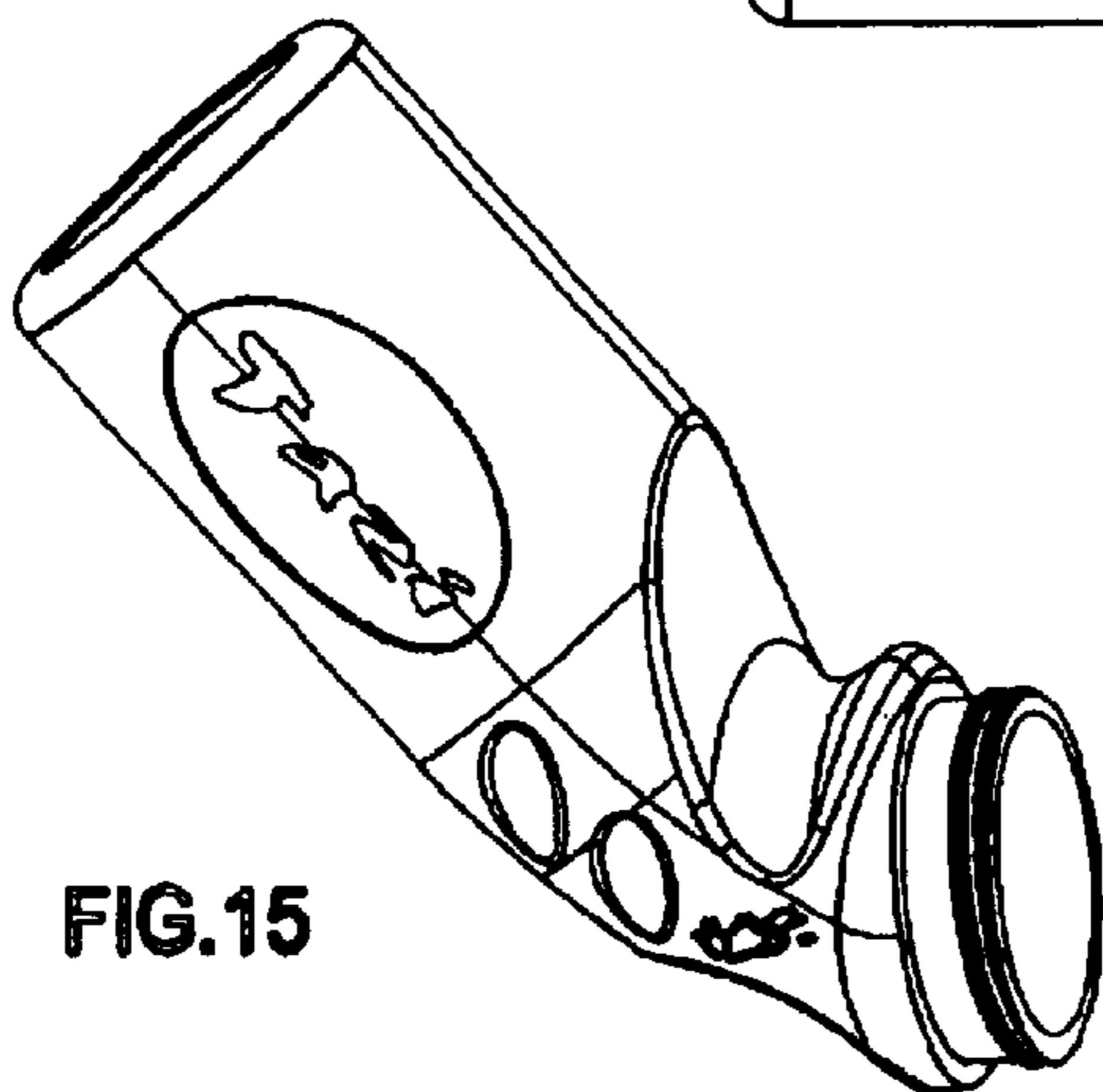


FIG. 15

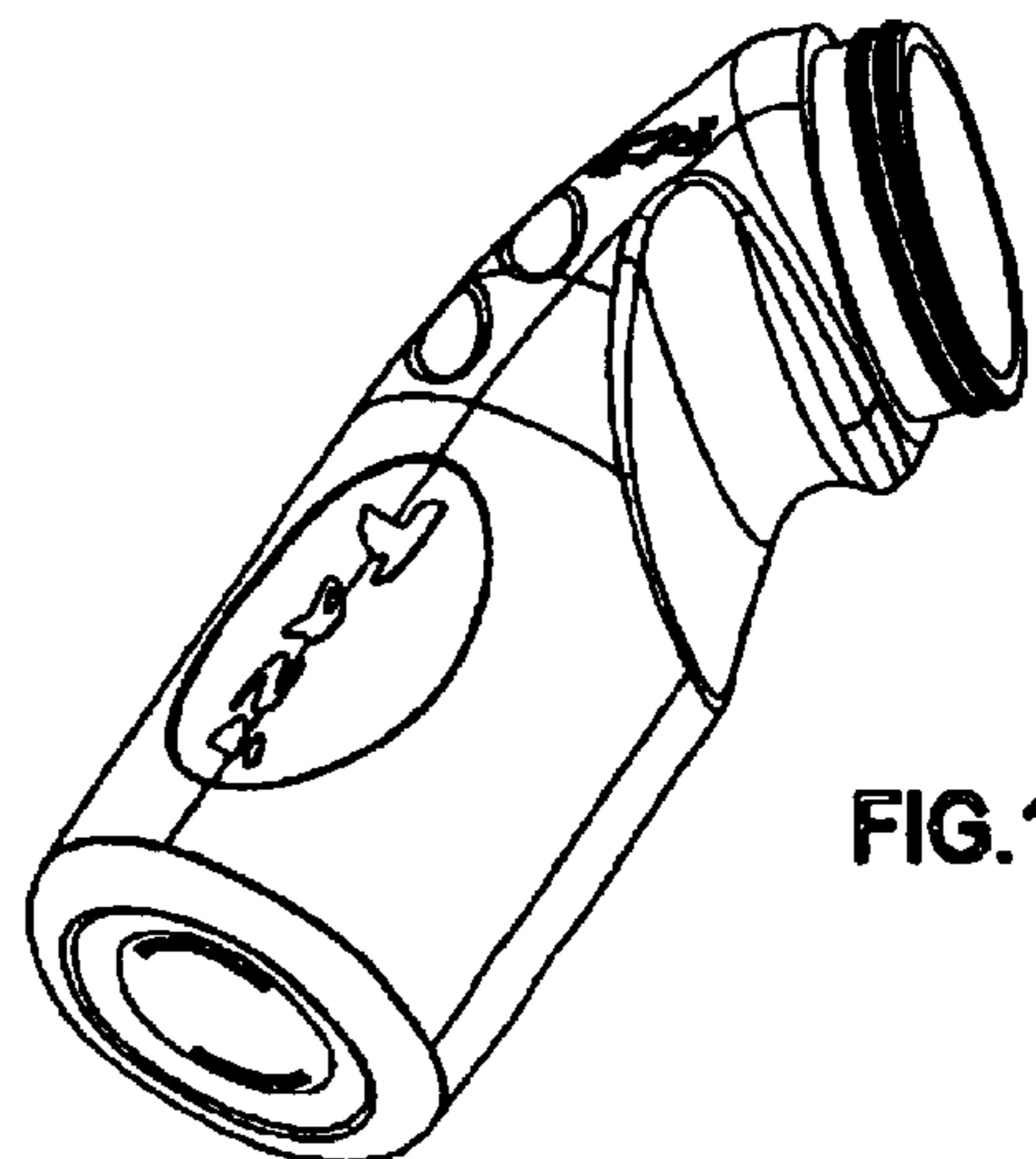


FIG. 16

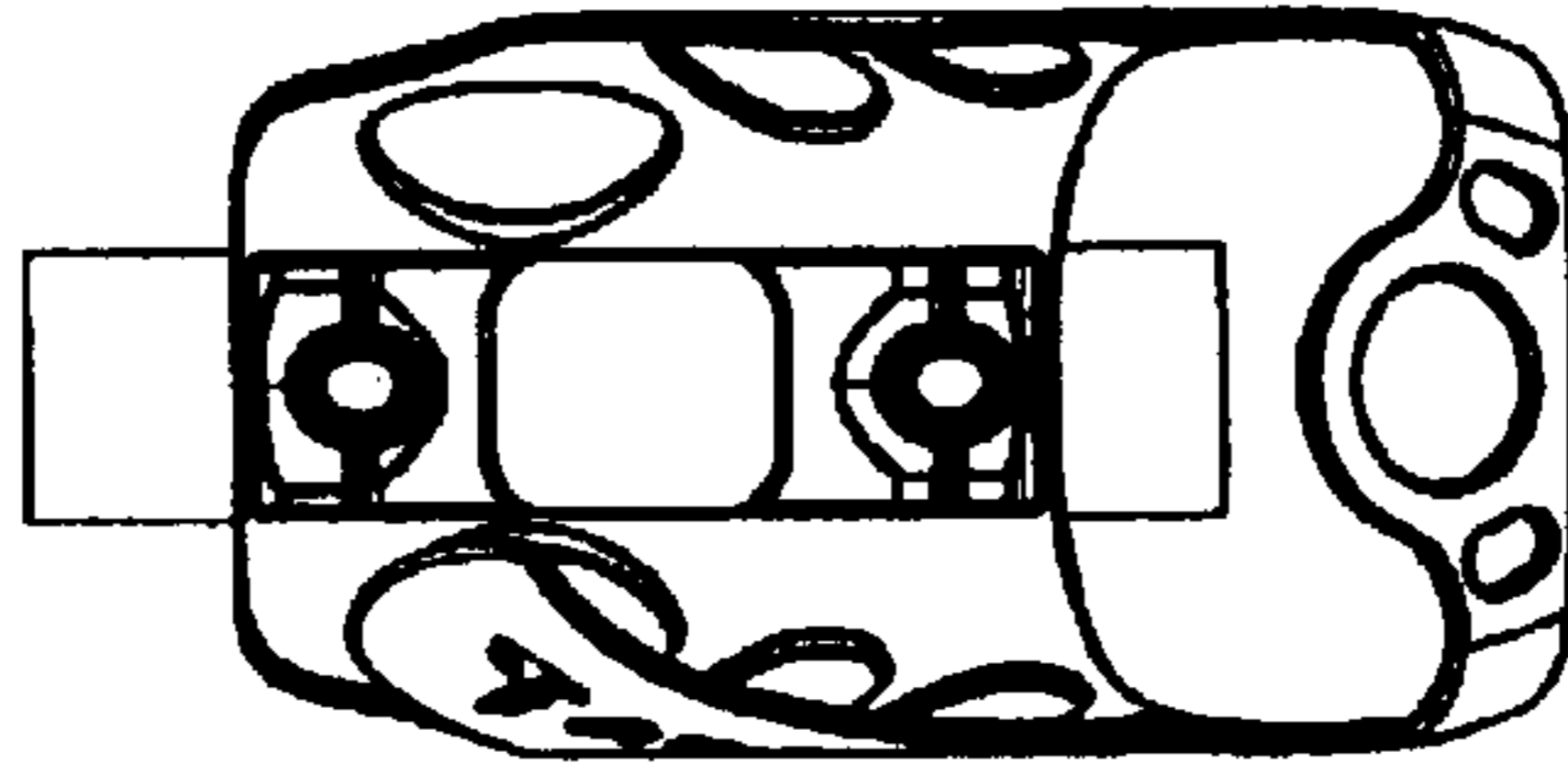


FIG. 20

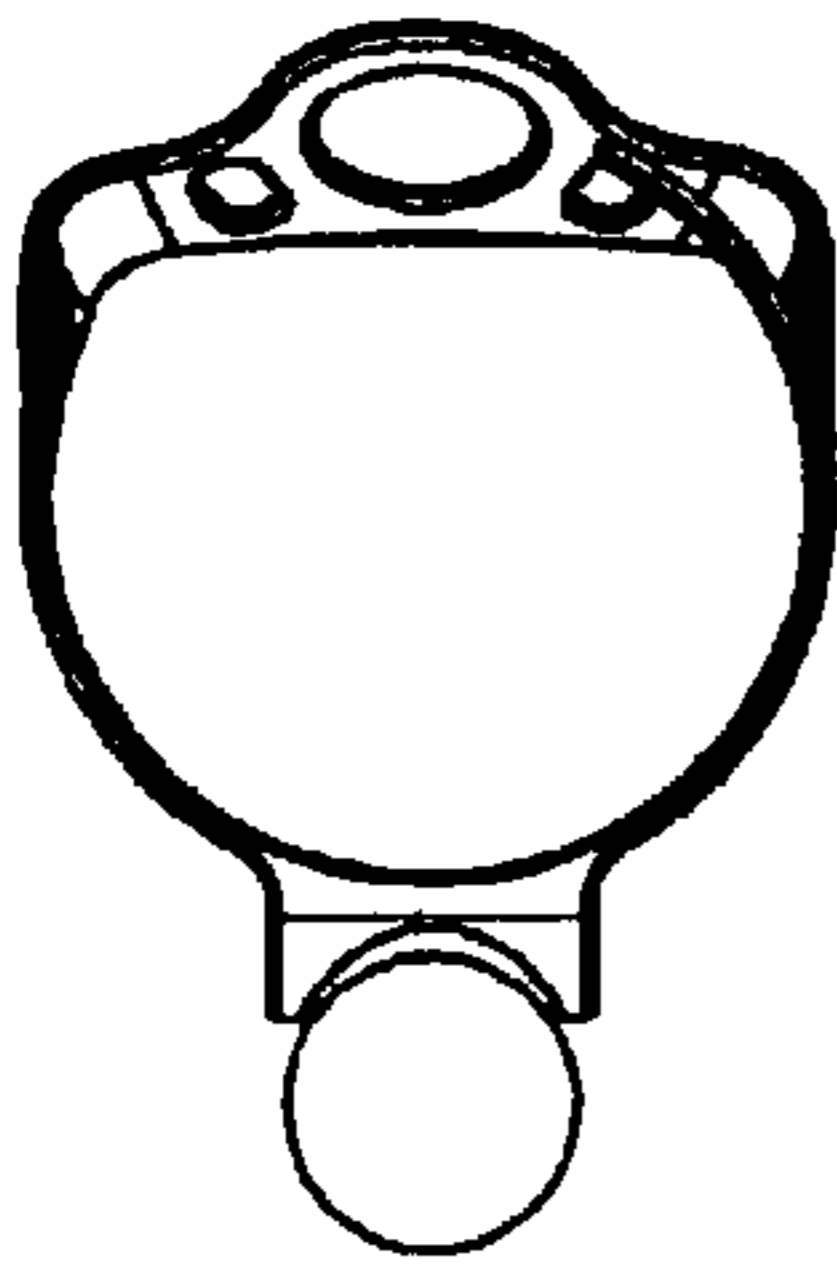


FIG. 18

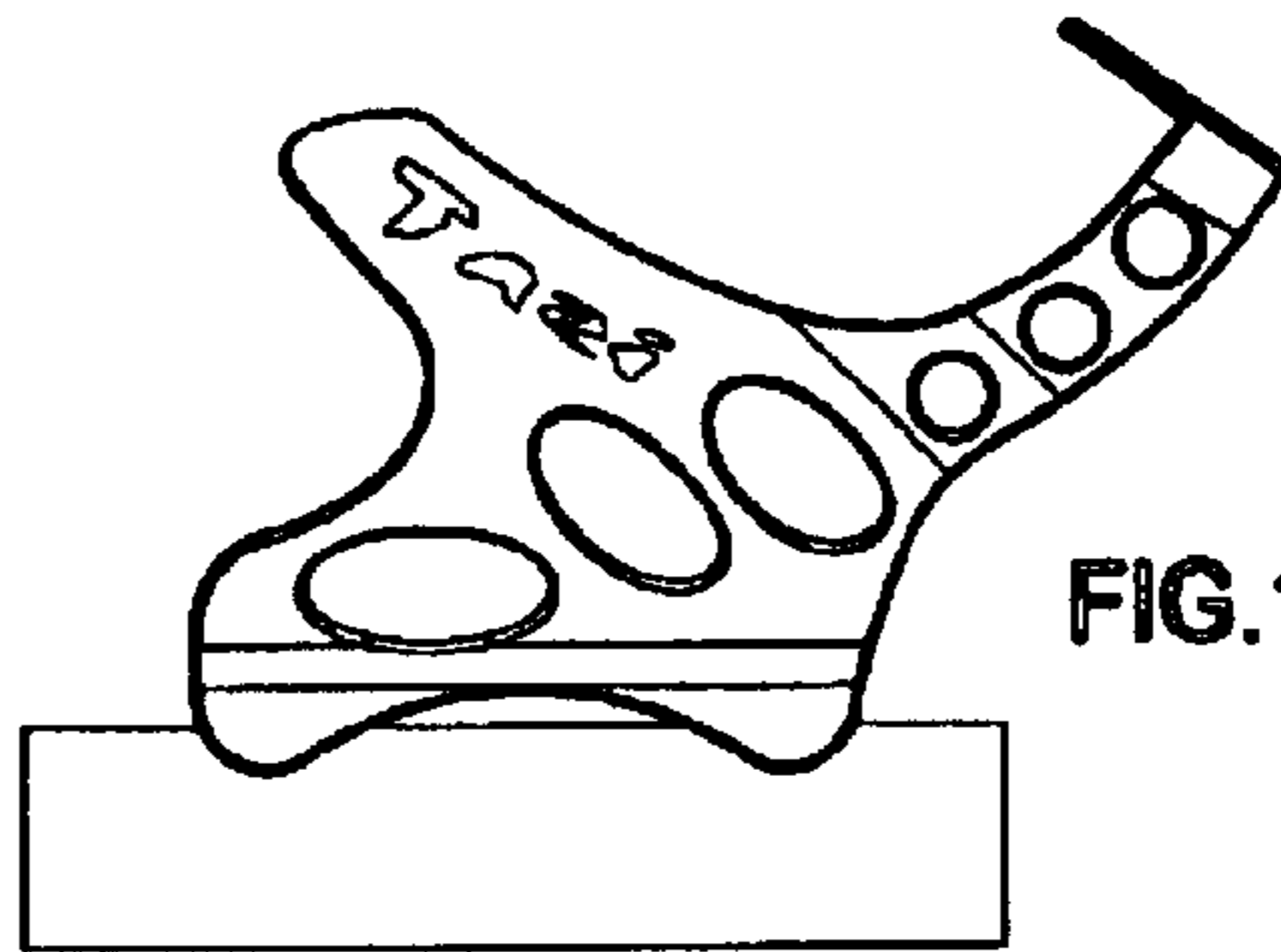


FIG. 17

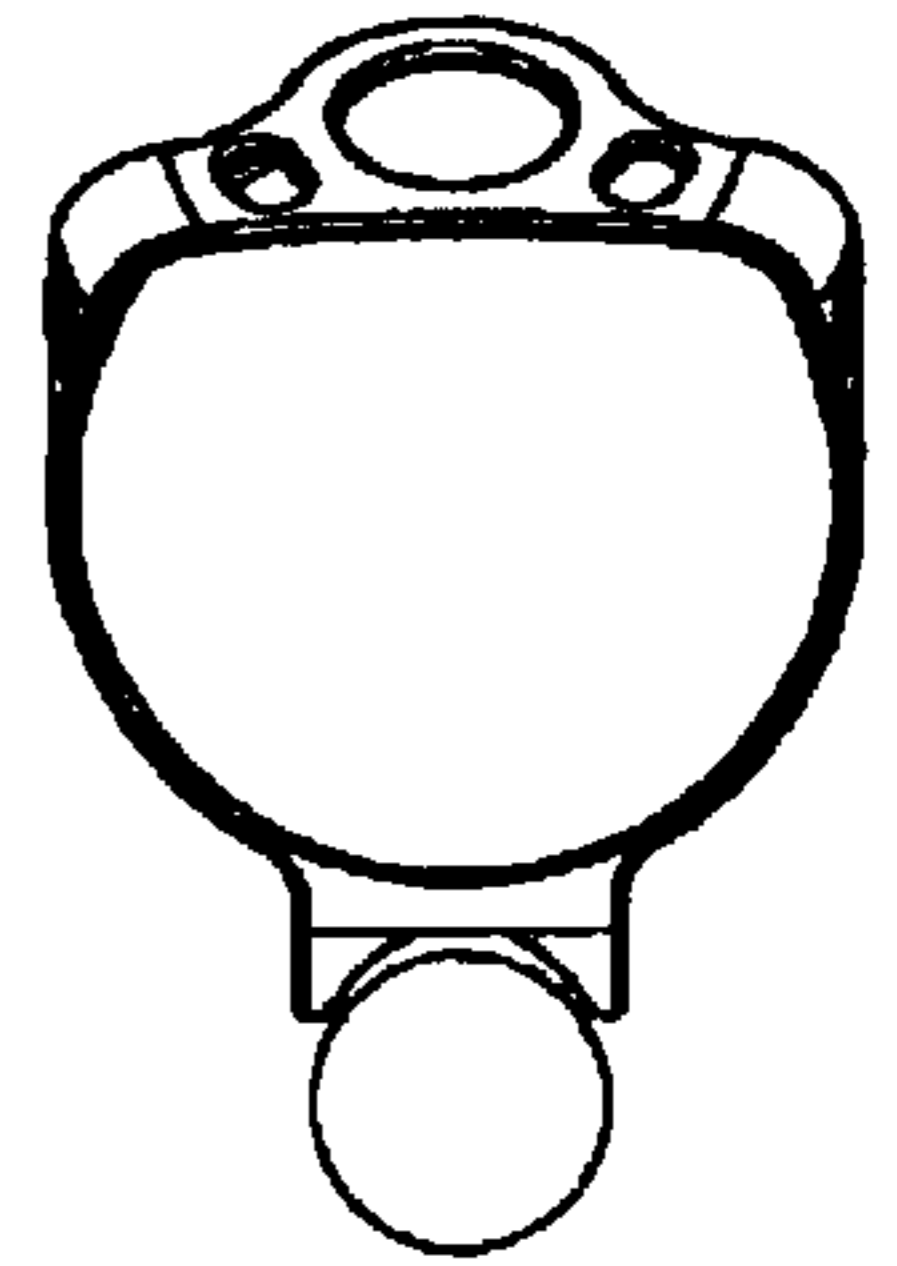


FIG. 19

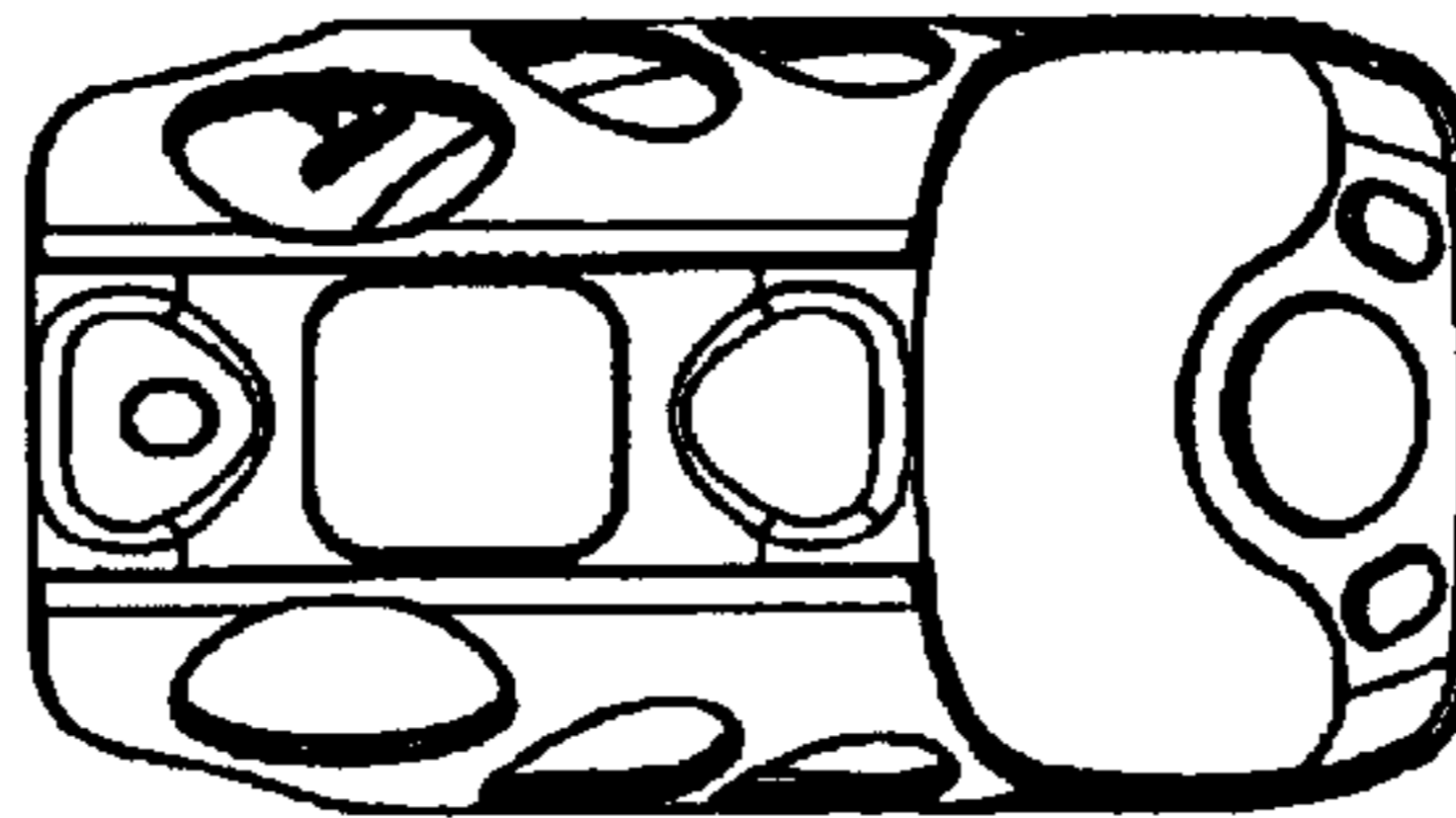


FIG. 21

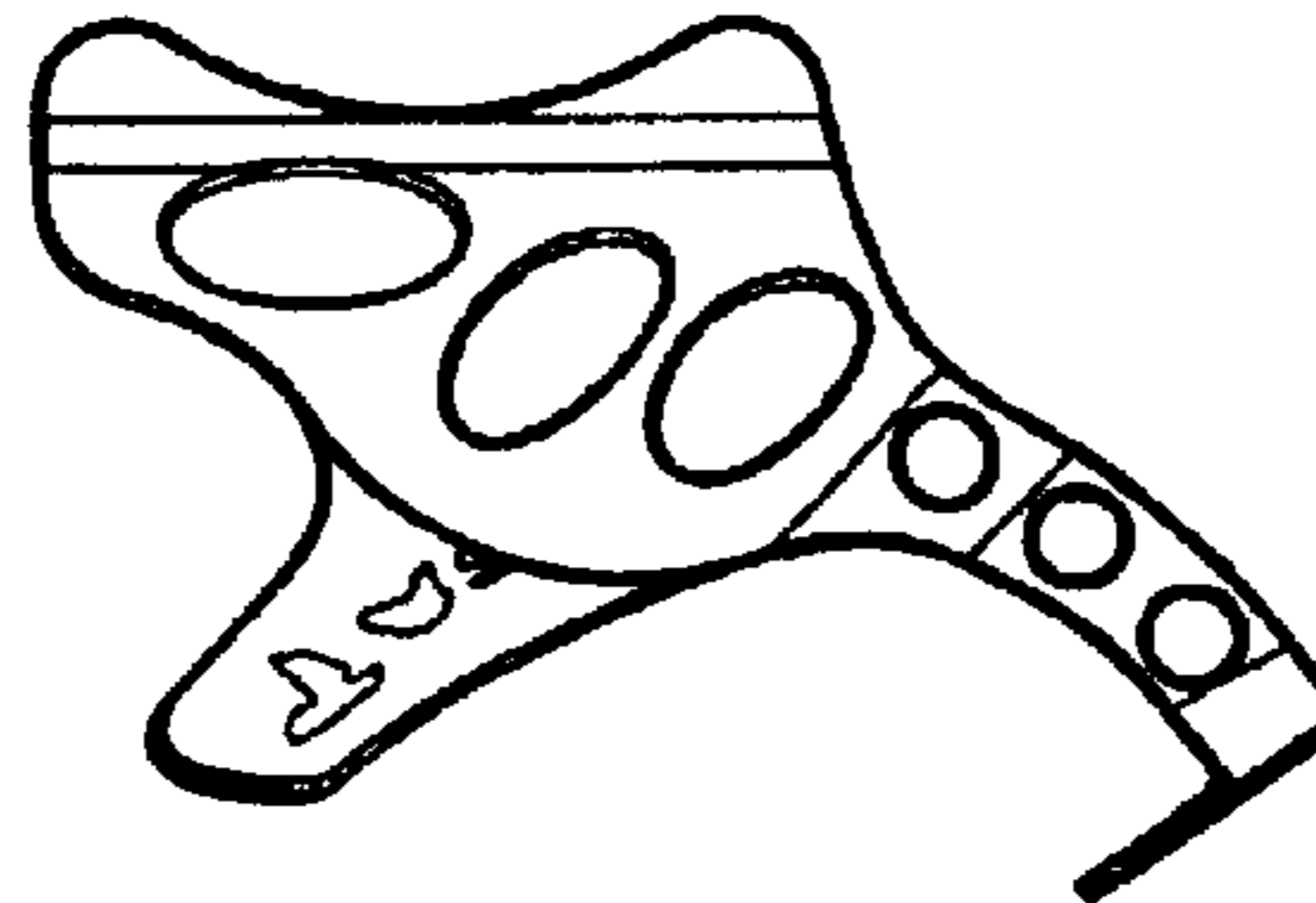


FIG. 22

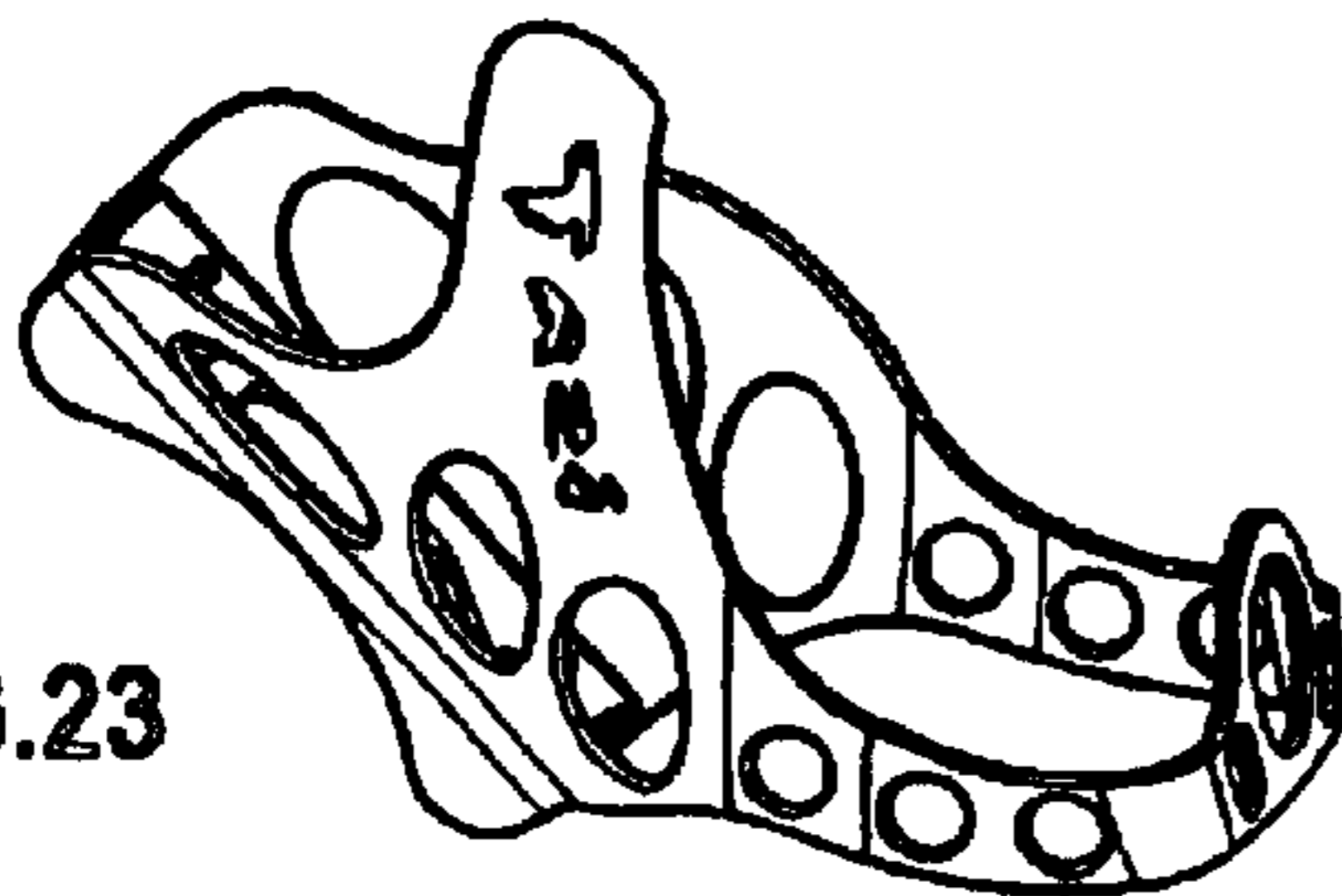


FIG. 23

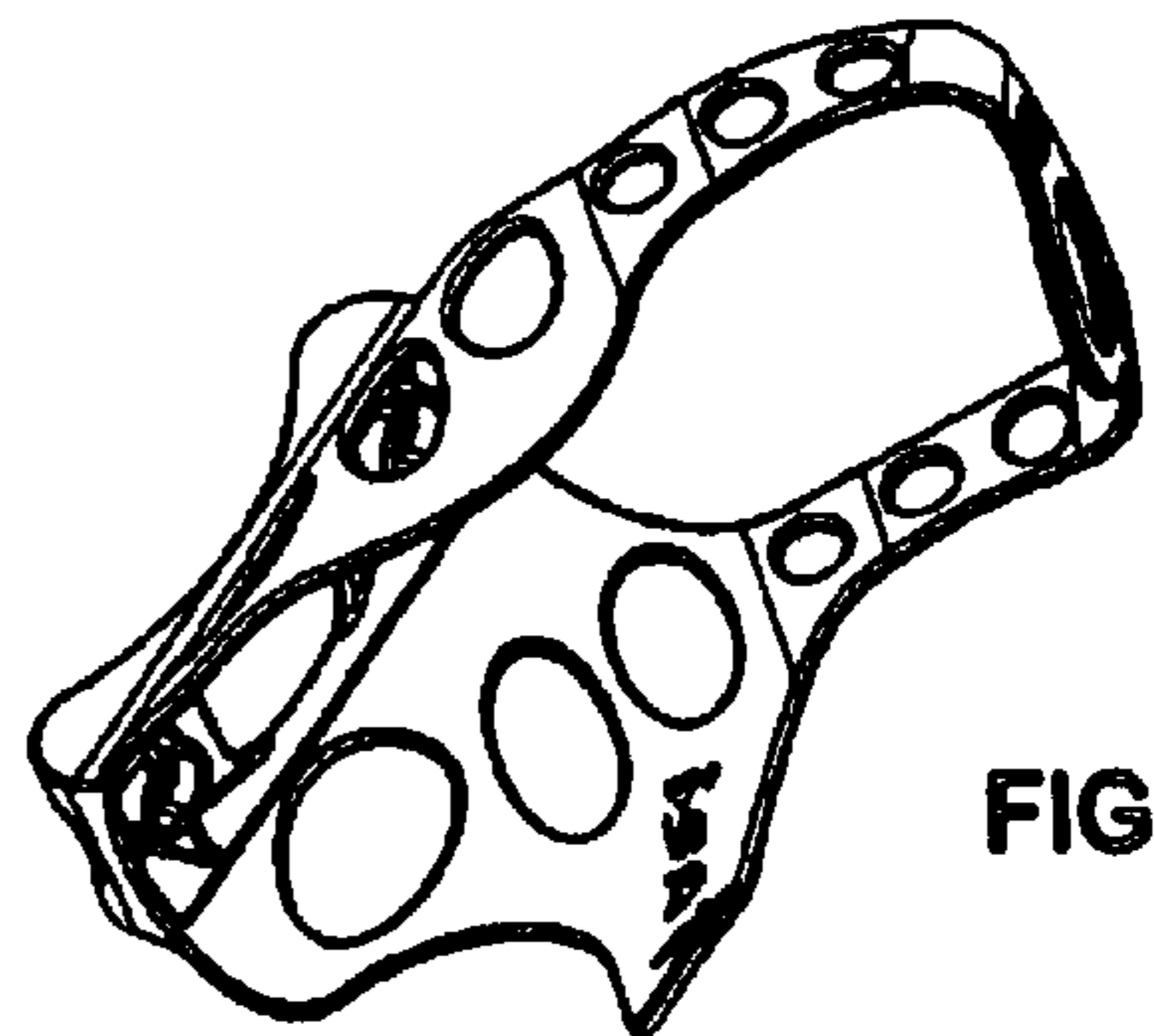


FIG. 24