



US00D491016S

(12) **United States Design Patent**  
**Rae**

(10) **Patent No.:** **US D491,016 S**

(45) **Date of Patent:** **\*\* Jun. 8, 2004**

(54) **HANDLE FOR ARTICLE OF COOKWARE**

(75) Inventor: **Robert Rae**, Kowloon (HK)

(73) Assignee: **Meyer Intellectual Properties Limited**,  
Kowloon (HK)

(\*\*) Term: **14 Years**

(21) Appl. No.: **29/173,818**

(22) Filed: **Jan. 7, 2003**

(51) **LOC (7) Cl.** ..... **07-02**

(52) **U.S. Cl.** ..... **D7/395**

(58) **Field of Search** ..... D7/393, 395, 354-361;  
220/573.1-573.5, 752, 753, 755, 769; 16/110.1,  
422, 430, DIG. 12, DIG. 18, DIG. 19

(56) **References Cited**

**U.S. PATENT DOCUMENTS**

4,794,666 A \* 1/1989 Kim ..... 220/753  
D461,363 S \* 8/2002 Law ..... D7/395

**OTHER PUBLICATIONS**

Kitchen Etc Circular., 2/01, Handle for Griddle.\*

\* cited by examiner

*Primary Examiner*—Terry A. Wallace

(74) *Attorney, Agent, or Firm*—Wood, Herron & Evans,  
L.L.P.

(57) **CLAIM**

The ornamental design for a “handle for article of cook-  
ware”, as shown and described.

**DESCRIPTION**

FIG. 1 is a front perspective view showing a “handle for  
article of cookware” incorporating the design of my inven-  
tion;

FIG. 2 is a top view thereof;

FIG. 3 is a bottom view thereof;

FIG. 4 is a side view thereof;

FIG. 5 is another side view thereof;

FIG. 6 is a front view thereof;

FIG. 7 is a rear view thereof;

FIG. 8 is a front perspective view showing the handle shown  
in FIG. 1 embodied in a different article of cookware;

FIG. 9 is a top view of the handle shown in FIG. 8;

FIG. 10 is a bottom view of the handle shown in FIG. 8;

FIG. 11 is a side view of the handle shown in FIG. 8;

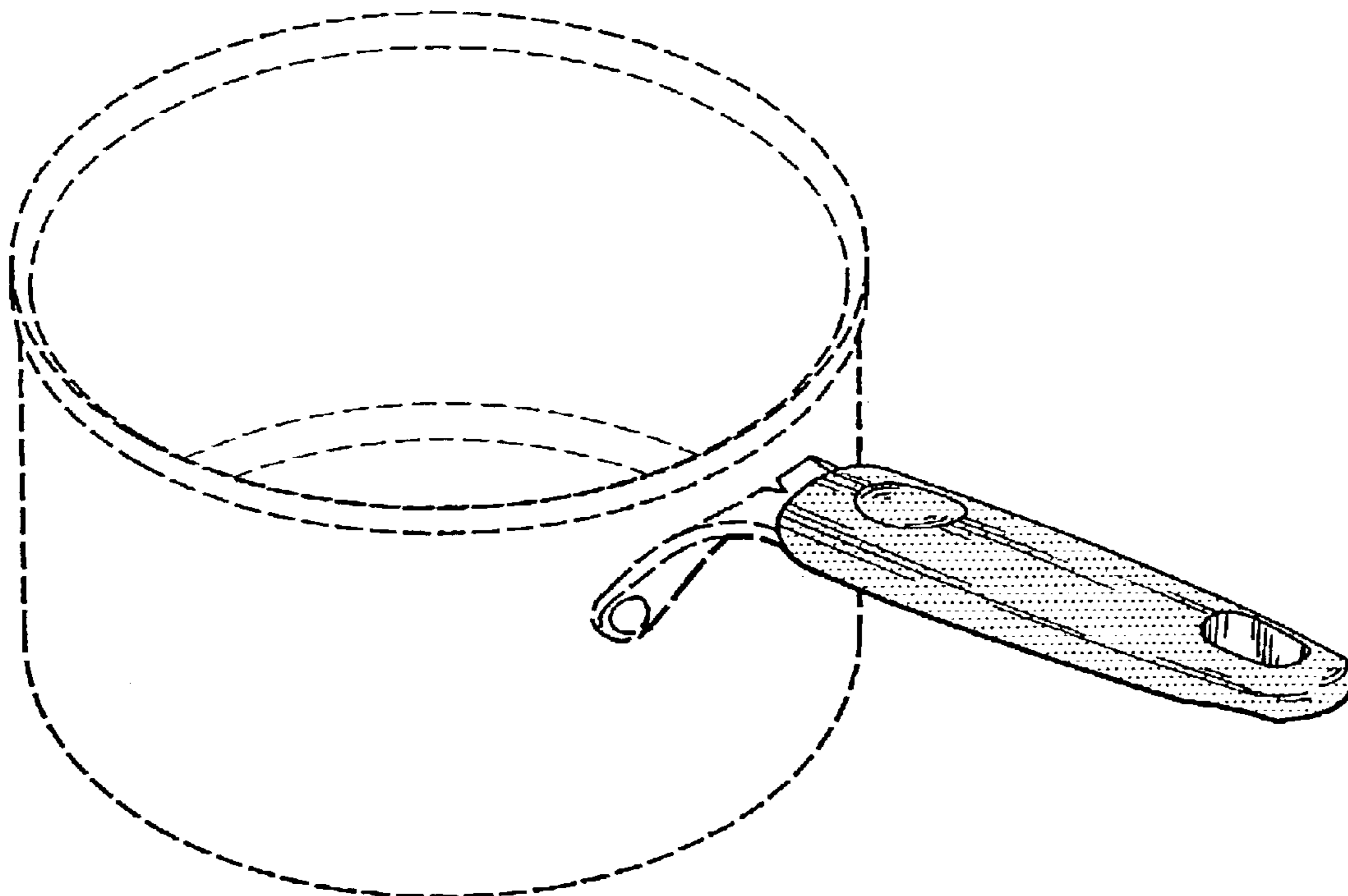
FIG. 12 is another side view of the handle shown in FIG. 8;

FIG. 13 is a front view of the handle shown in FIG. 8; and,

FIG. 14 is a rear view of the handle shown in FIG. 8.

The part of the drawings shown in phantom lines depicts the  
environment of my new design and forms no part of my  
design.

**1 Claim, 12 Drawing Sheets**



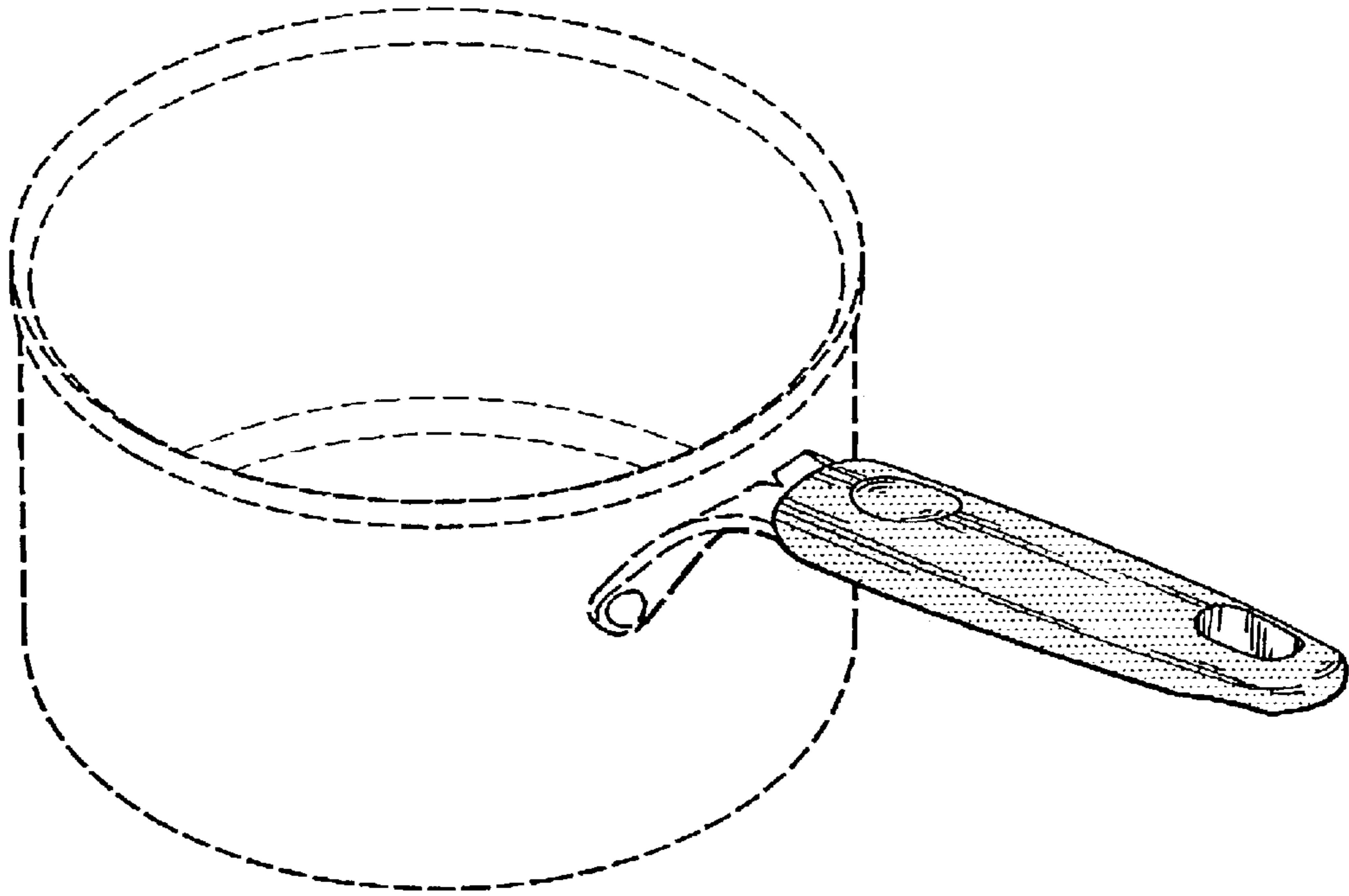


FIG. 1

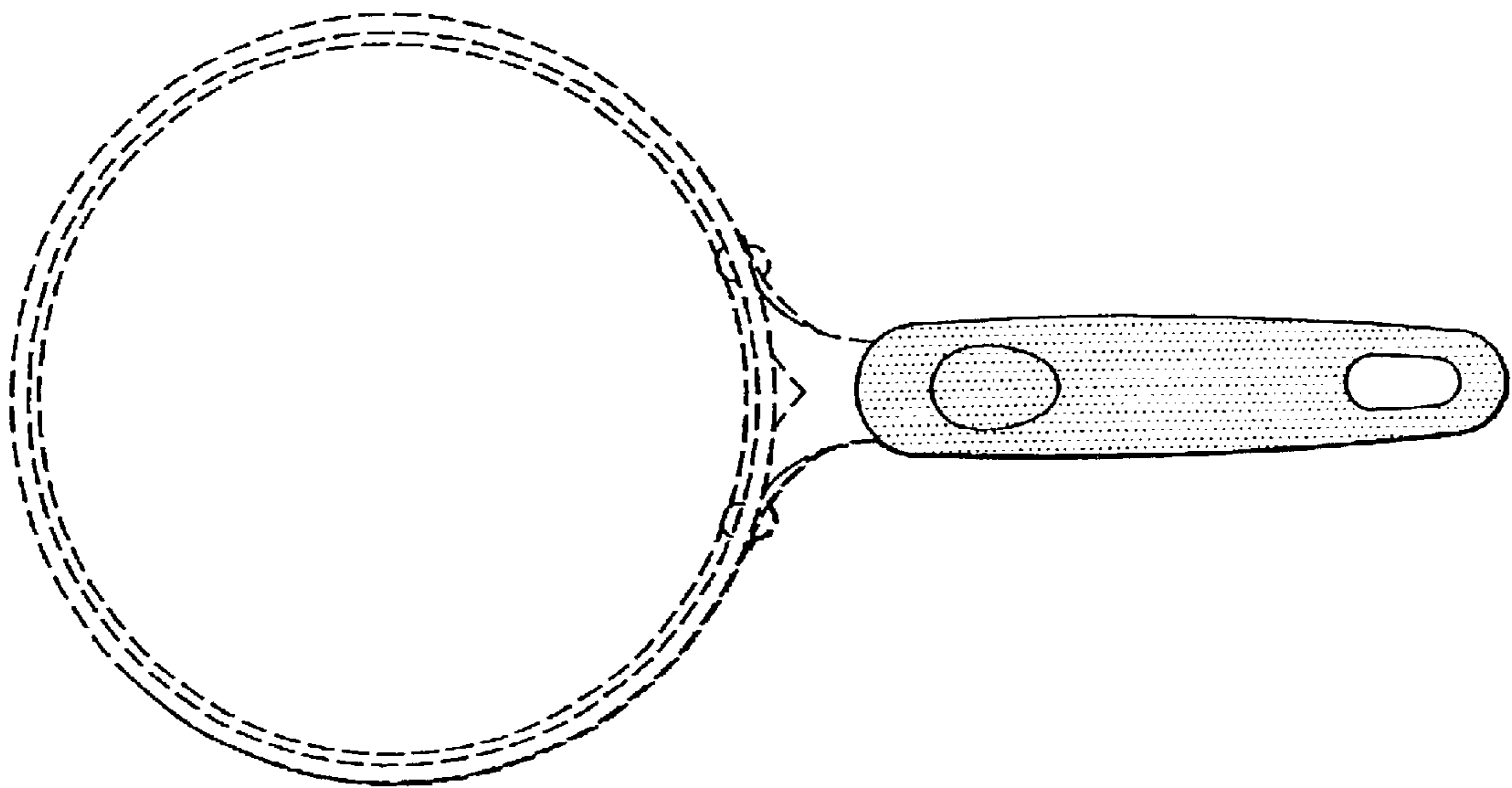


FIG. 2

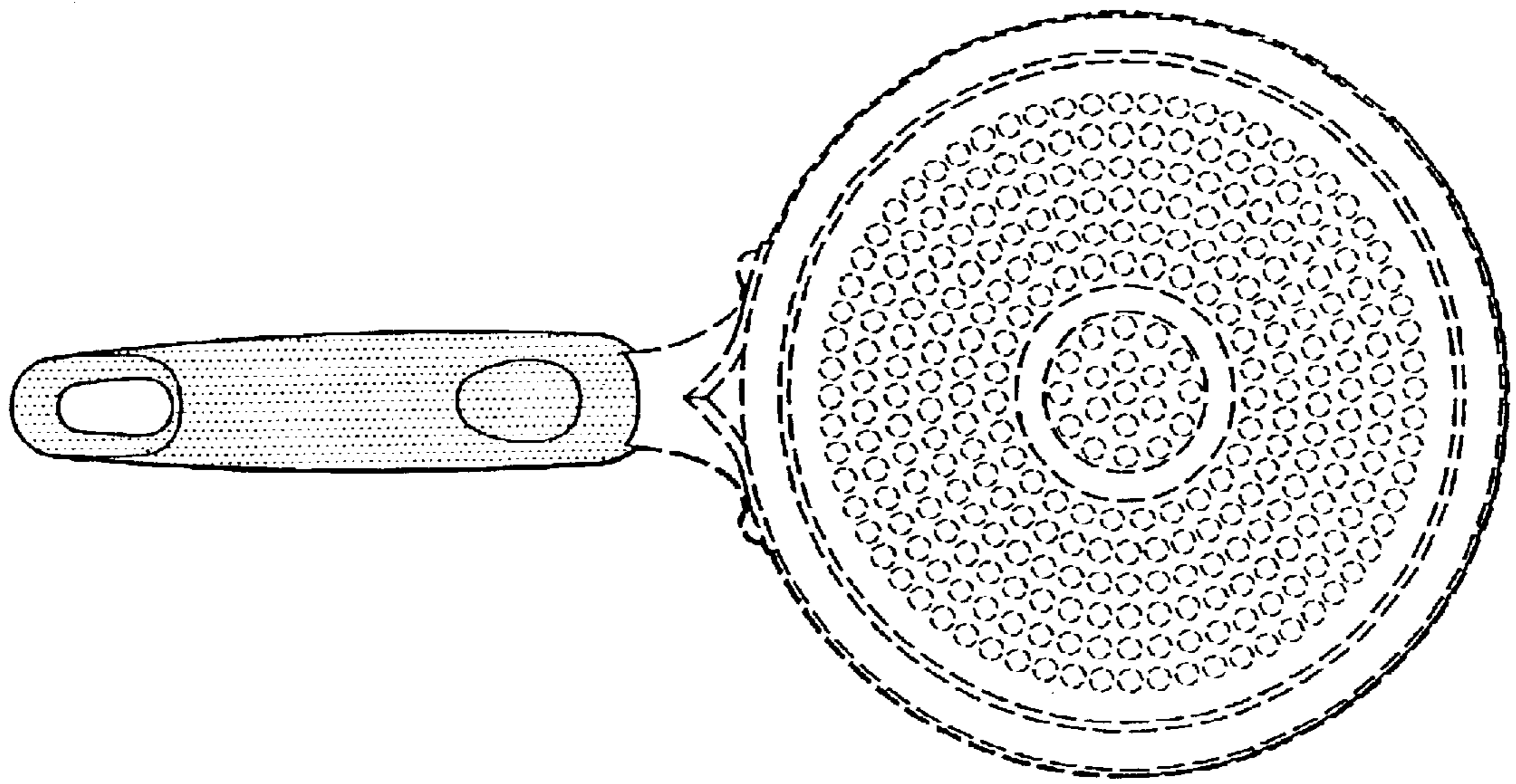


FIG. 3

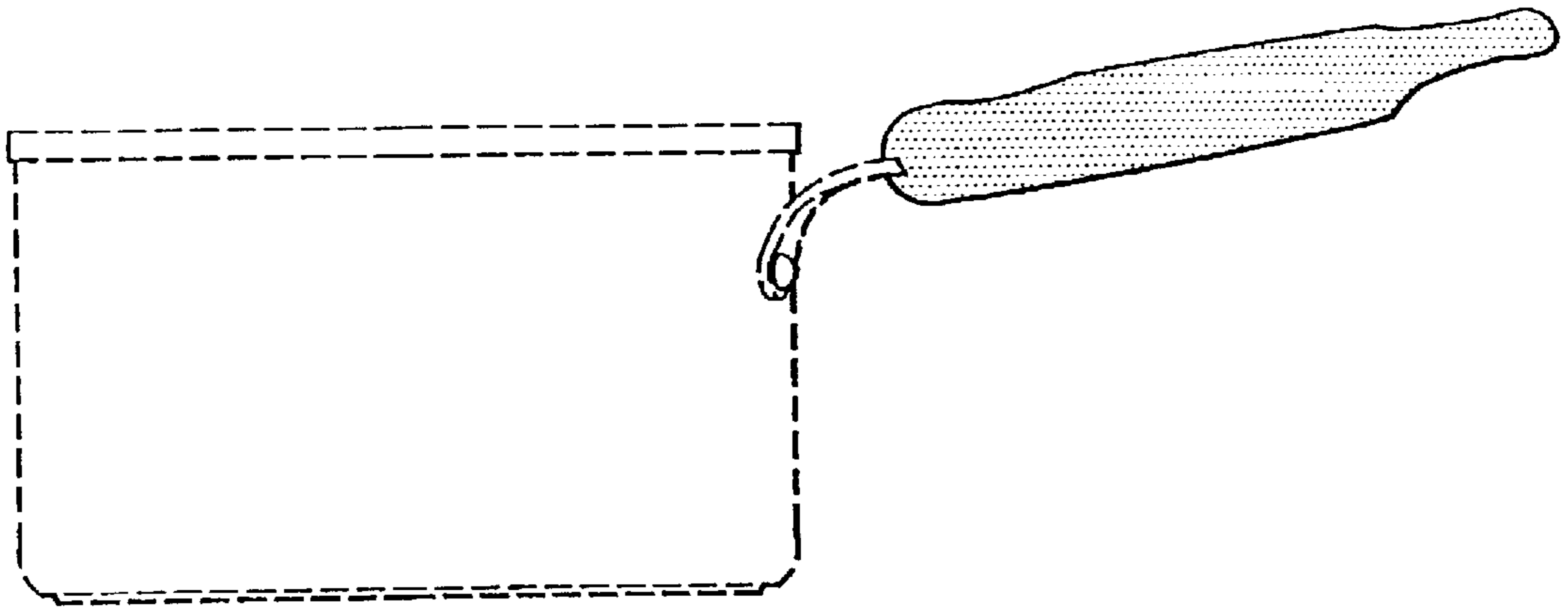


FIG. 4

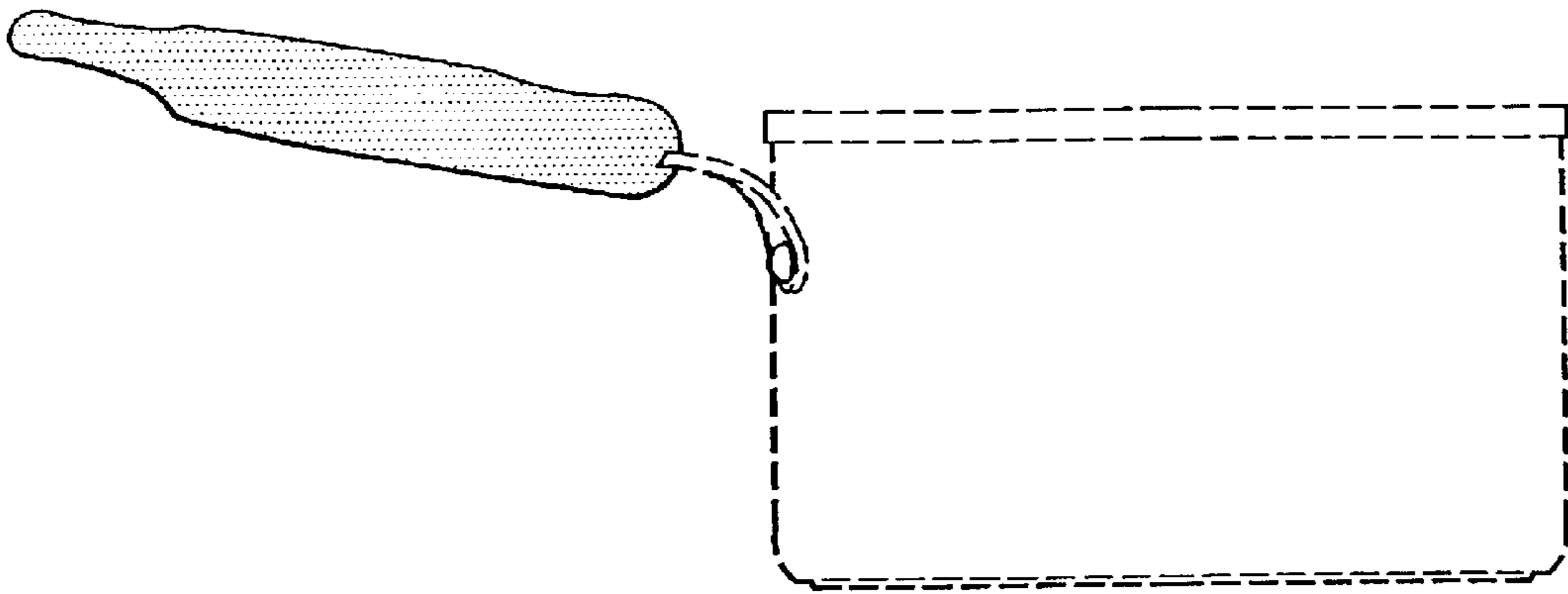


FIG. 5

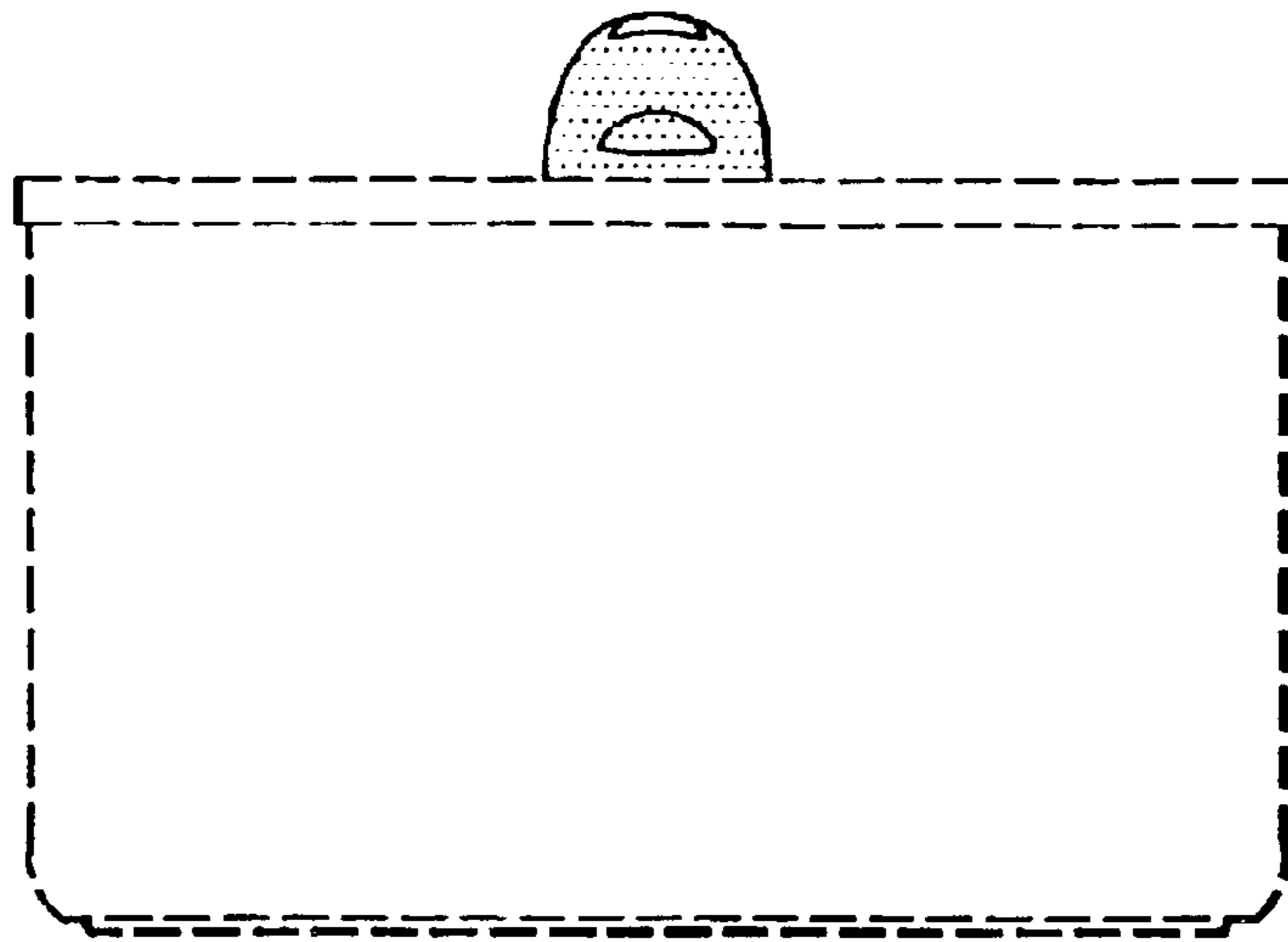


FIG. 6

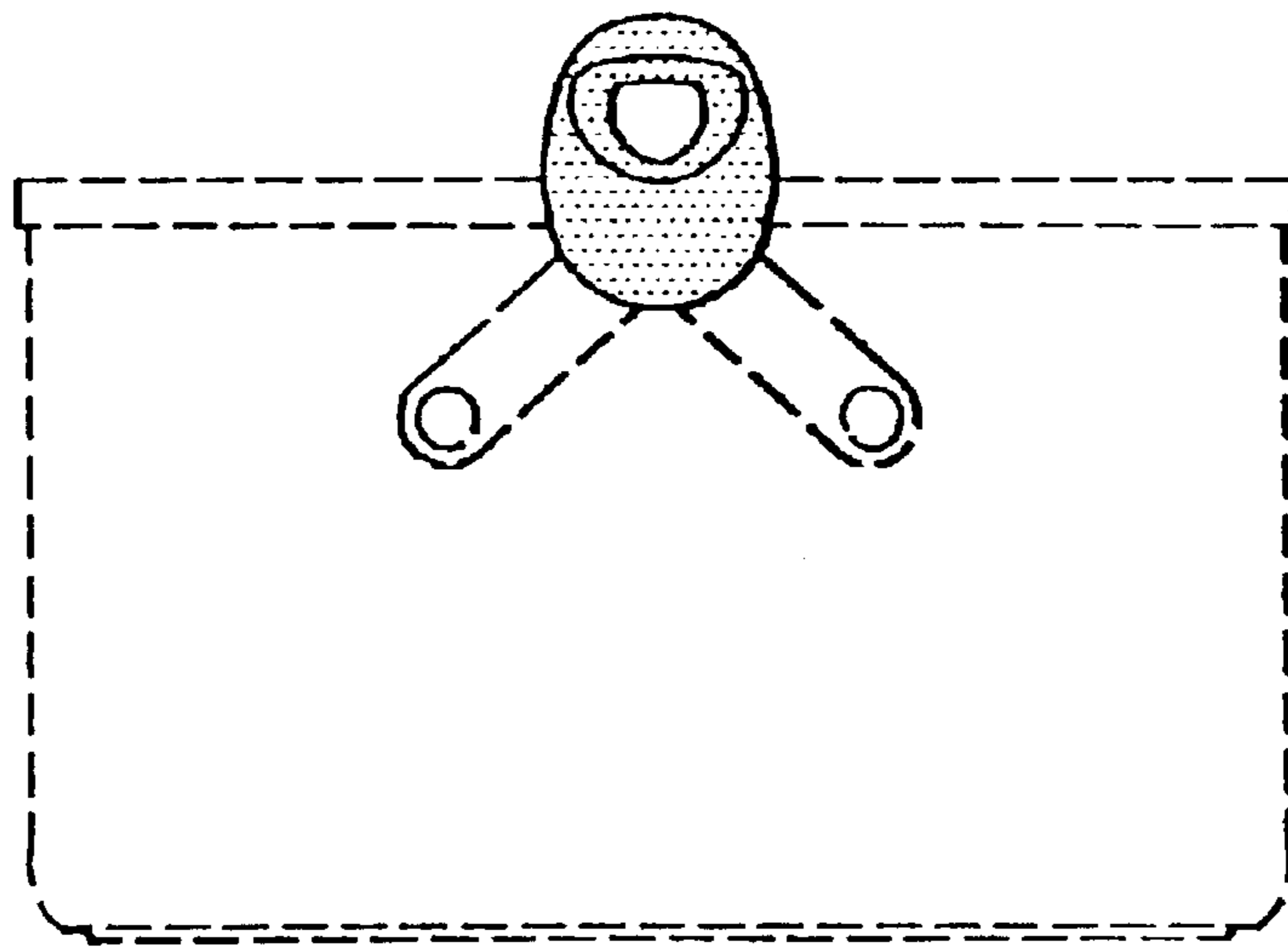


FIG. 7

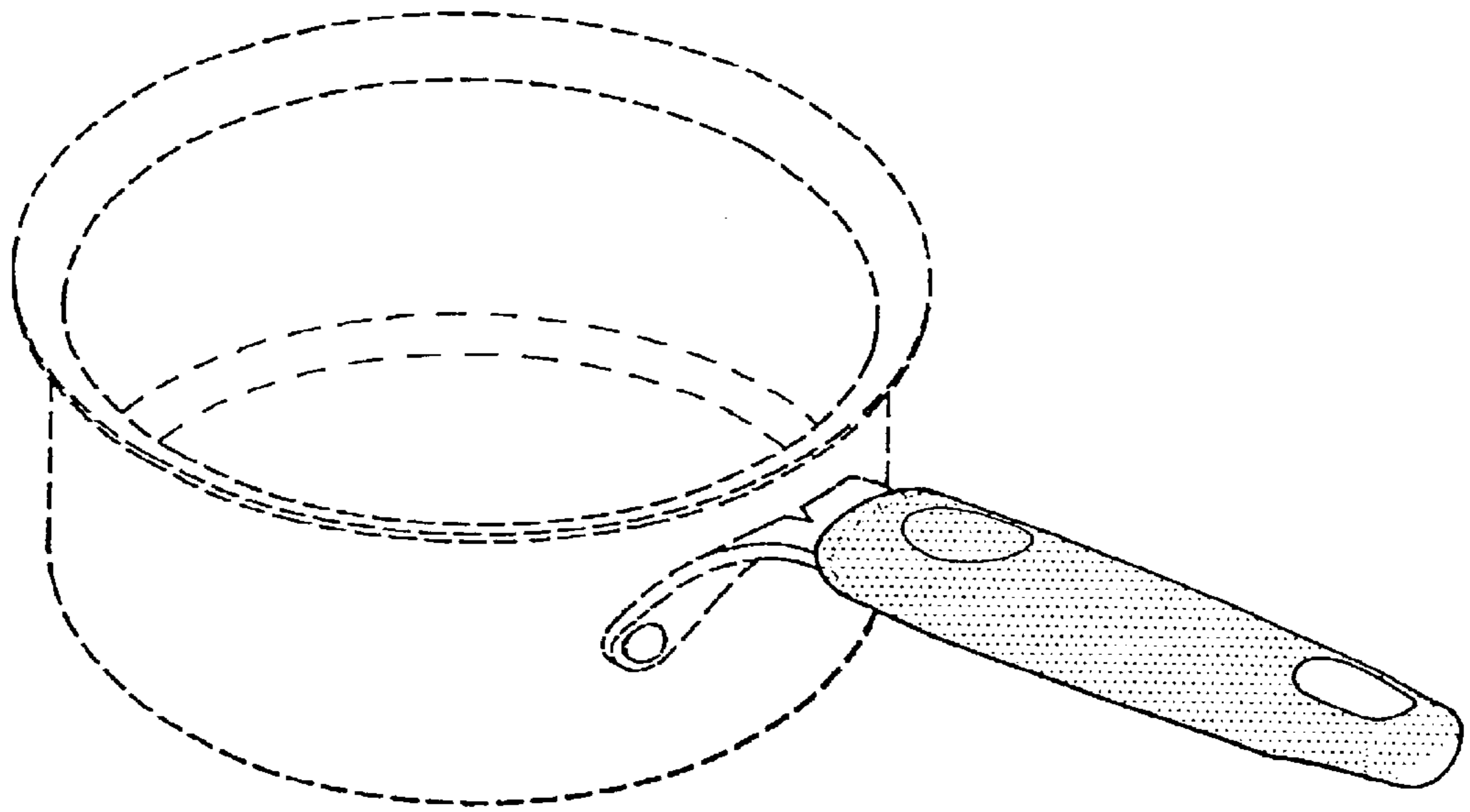


FIG. 8



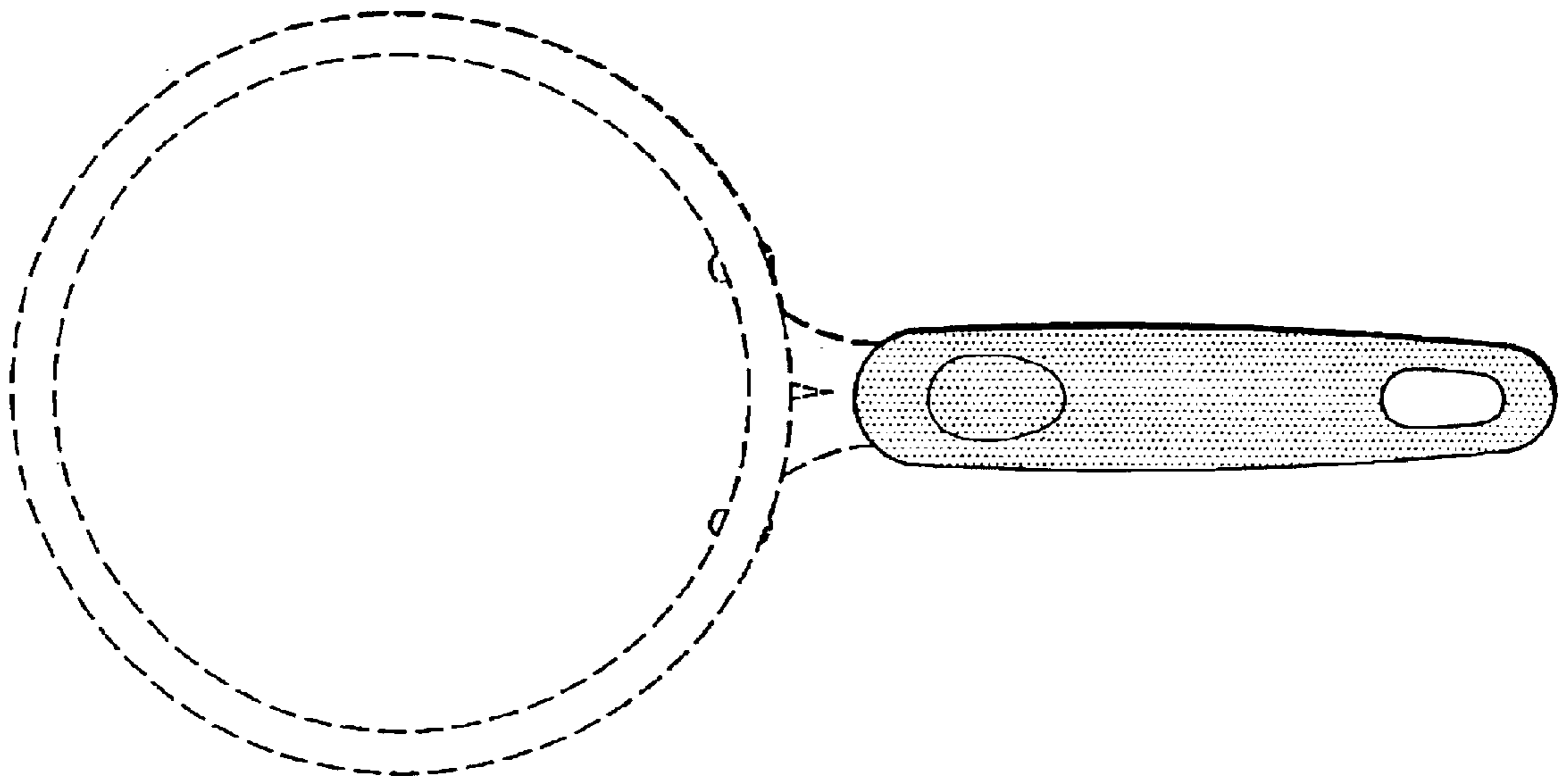


FIG. 9

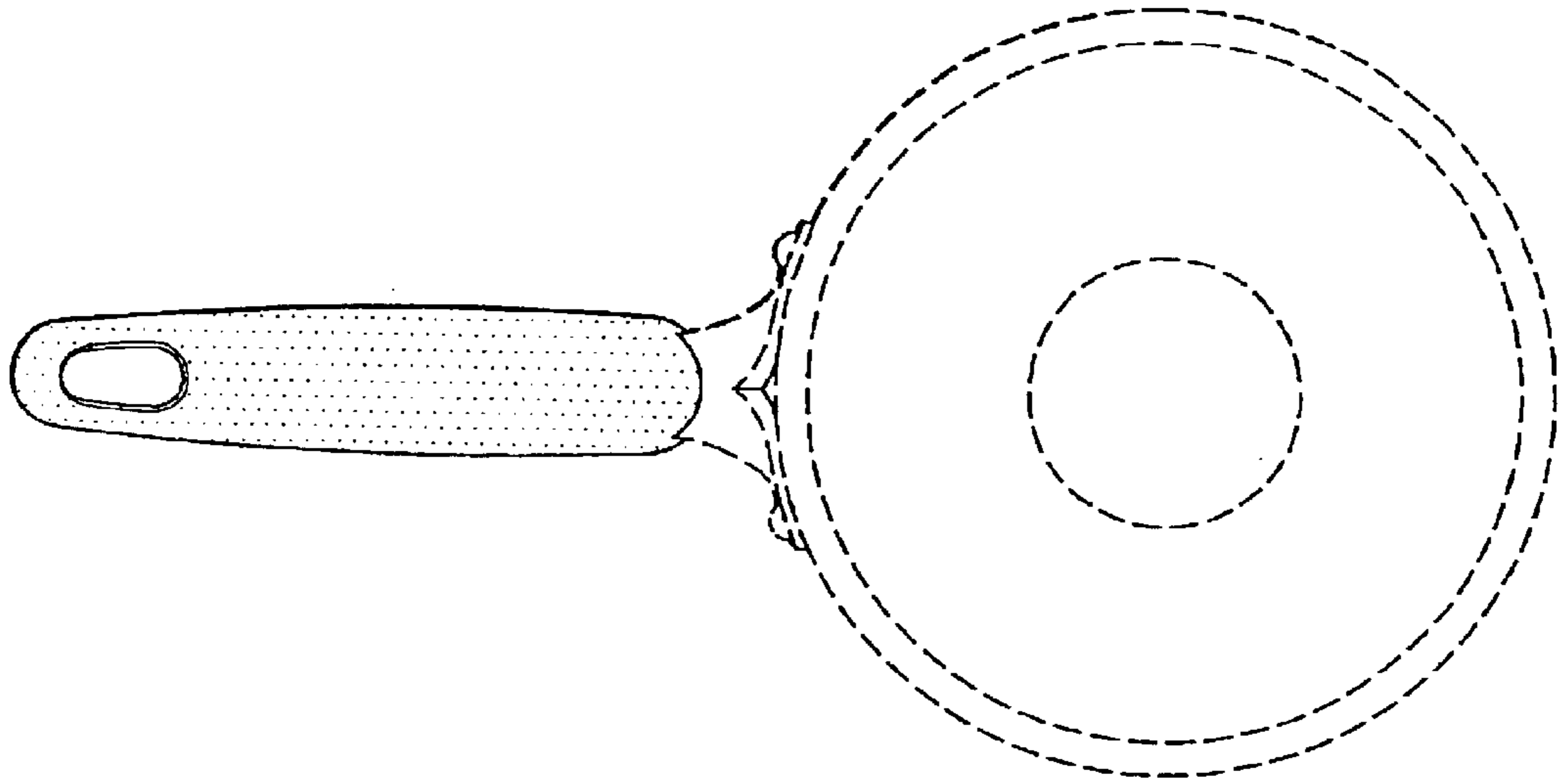


FIG. 10

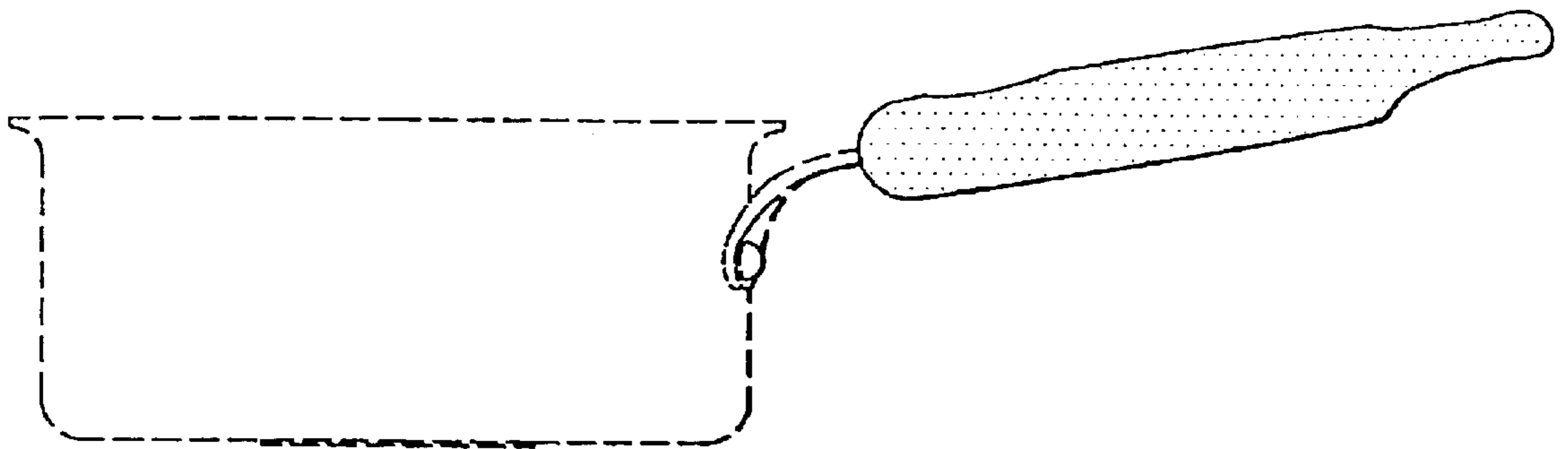


FIG. 11

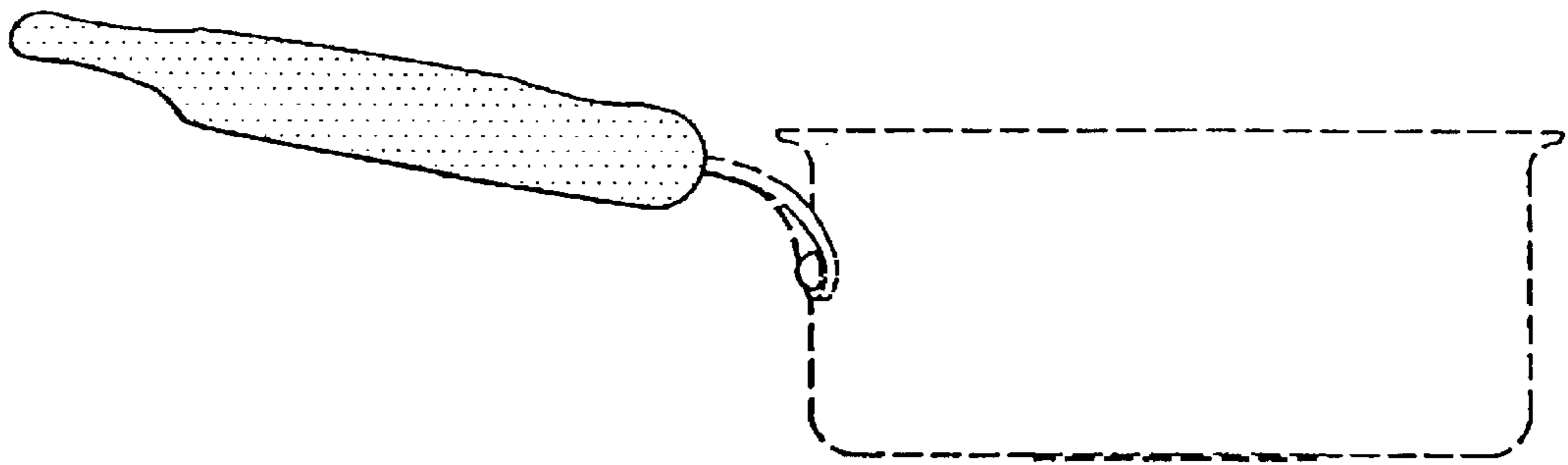


FIG. 12

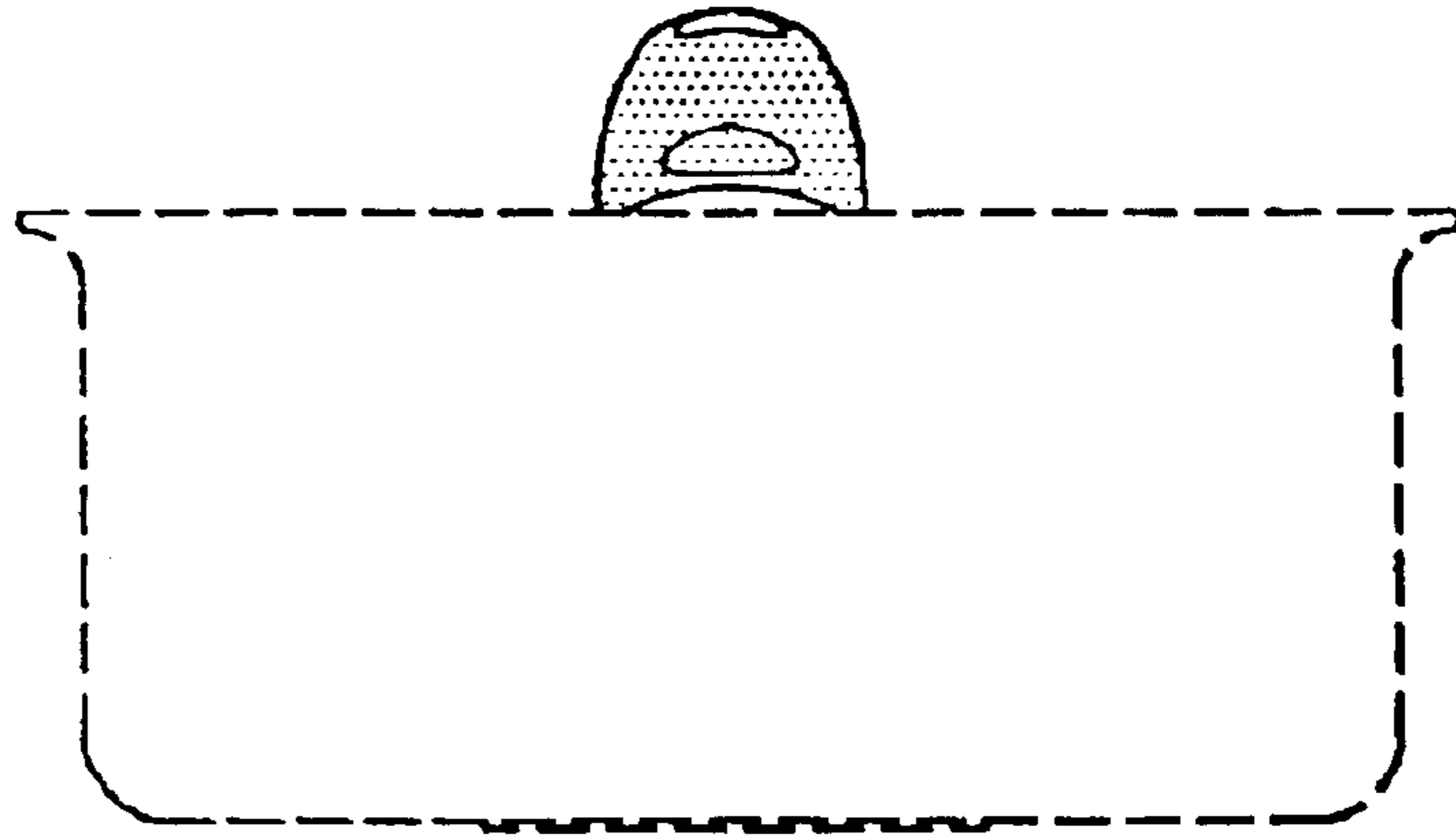


FIG. 13

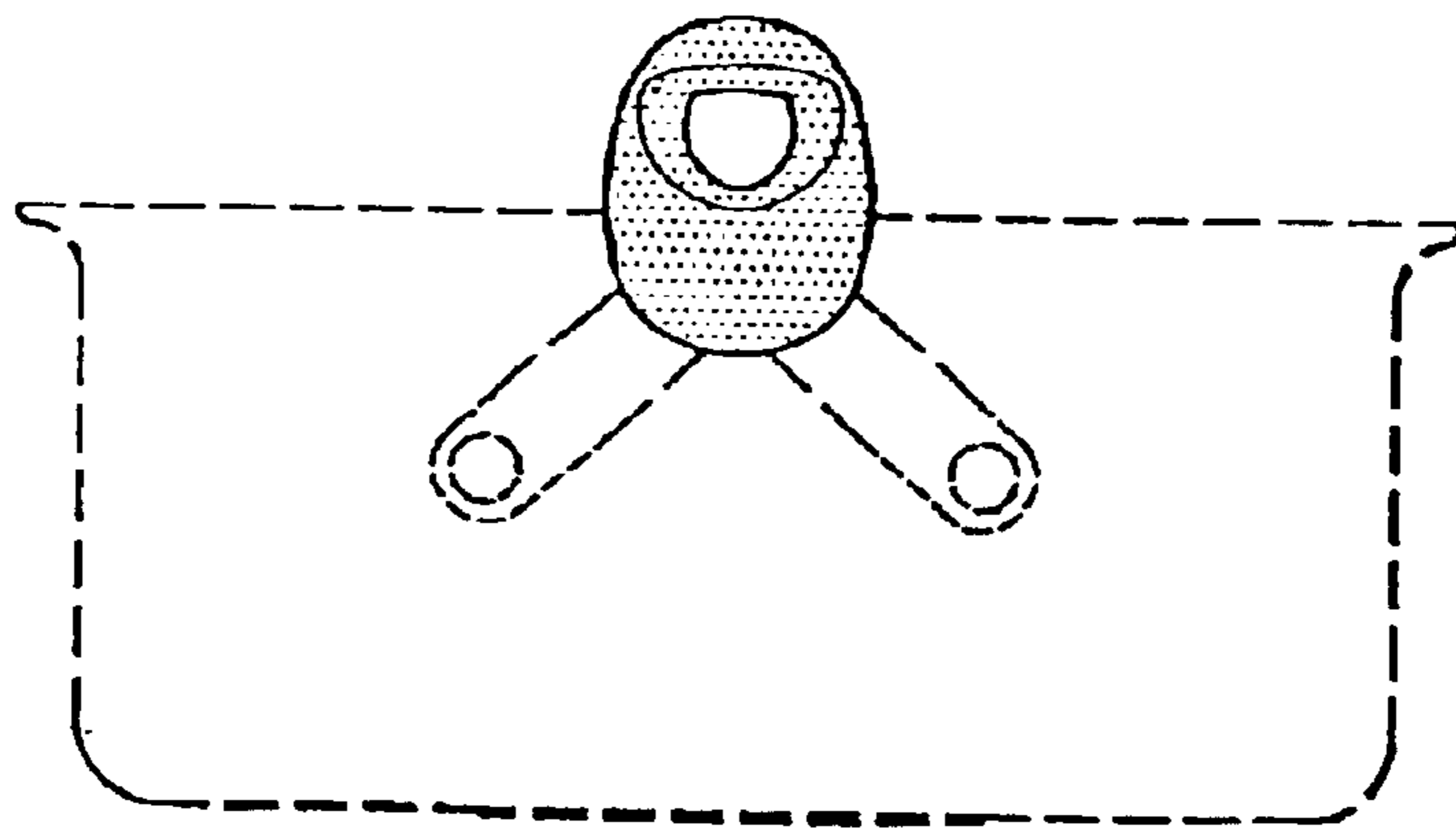


FIG. 14