



US00D491015S

(12) **United States Design Patent**
Tse

(10) **Patent No.:** **US D491,015 S**

(45) **Date of Patent:** **** Jun. 8, 2004**

(54) **STAND FOR CHAFING DISH**

(75) **Inventor:** **Shu Tse, Kowloon (CN)**

(73) **Assignee:** **Chekiang Metalware Factory
Company Limited, Kowloon (HK)**

(**) **Term:** **14 Years**

(21) **Appl. No.:** **29/192,429**

(22) **Filed:** **Oct. 24, 2003**

(30) **Foreign Application Priority Data**

Jul. 4, 2003 (HK) 0311024

(51) **LOC (7) Cl.** **07-99**

(52) **U.S. Cl.** **D7/388; D7/366; D7/403**

(58) **Field of Search** **D7/387, 388, 366,
D7/367, 505, 605, 403, 355, 630, 542,
376; D6/403; D26/22; 126/30; 248/146;
206/223, 512; 220/28.83, 553, 560**

(56) **References Cited**

U.S. PATENT DOCUMENTS

D38,423 S	*	1/1907	Gutermann	D7/366
D91,774 S	*	3/1934	Fukal	D7/366
D176,993 S	*	2/1956	O'Connell	D7/366
D183,133 S	*	7/1958	Lax	D7/366

D192,550 S	*	4/1962	Wright	D7/366
D195,475 S	*	6/1963	Swett	D7/630
D204,409 S	*	4/1966	Eberhart	D7/366
D206,946 S	*	2/1967	Knodt	D7/366
D214,184 S	*	5/1969	Rackocy	D7/366
D221,793 S	*	9/1971	DuPuy	D7/366
D225,169 S	*	11/1972	McGowan	D7/366
D225,669 S	*	12/1972	Toiseux	D7/366
D258,631 S	*	3/1981	Lax	D7/542
D476,522 S	*	7/2003	Renz	D7/376

* cited by examiner

Primary Examiner—M. N. Pandozzi

(74) *Attorney, Agent, or Firm*—Alix, Yale & Ristas, LLP

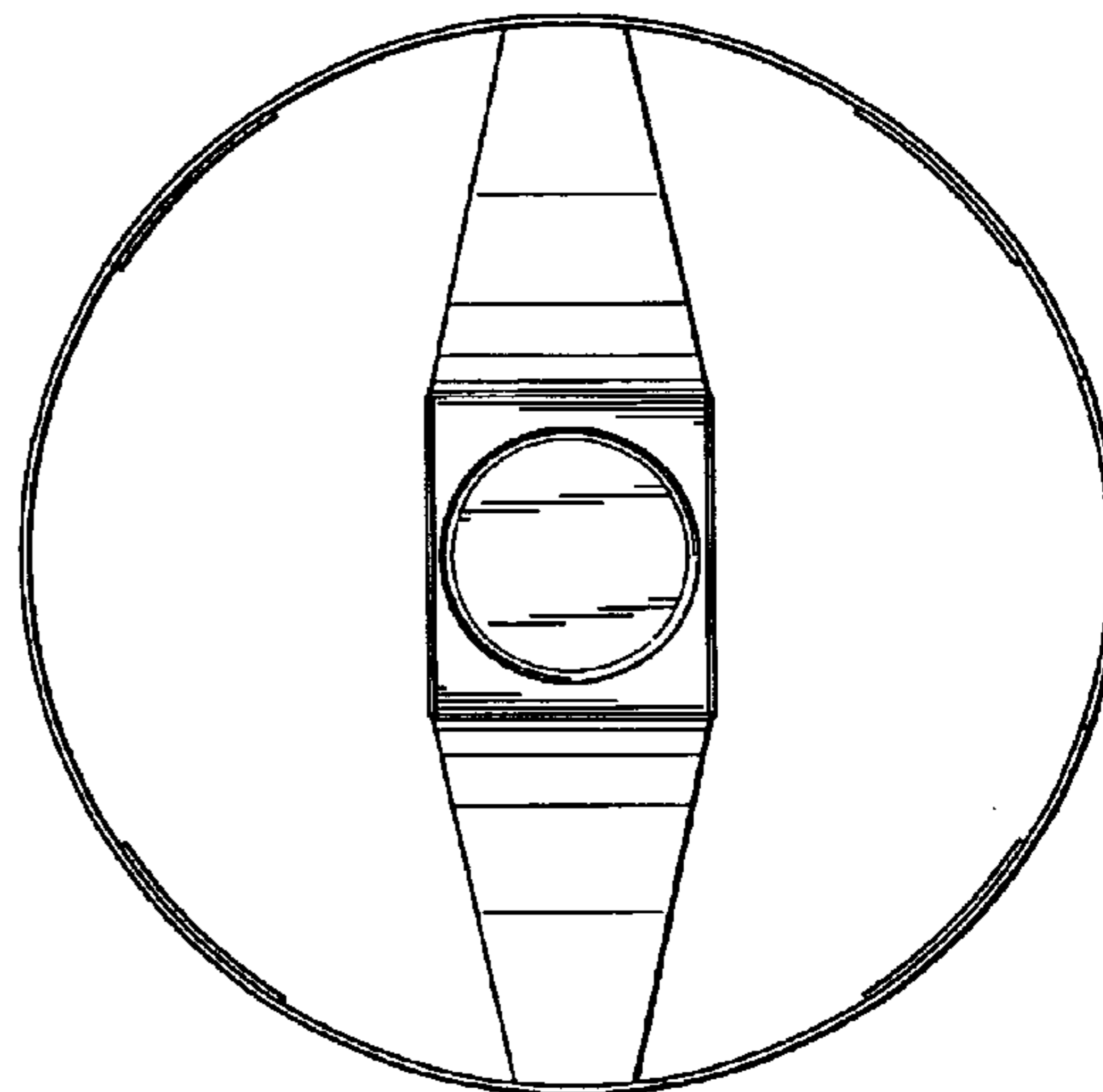
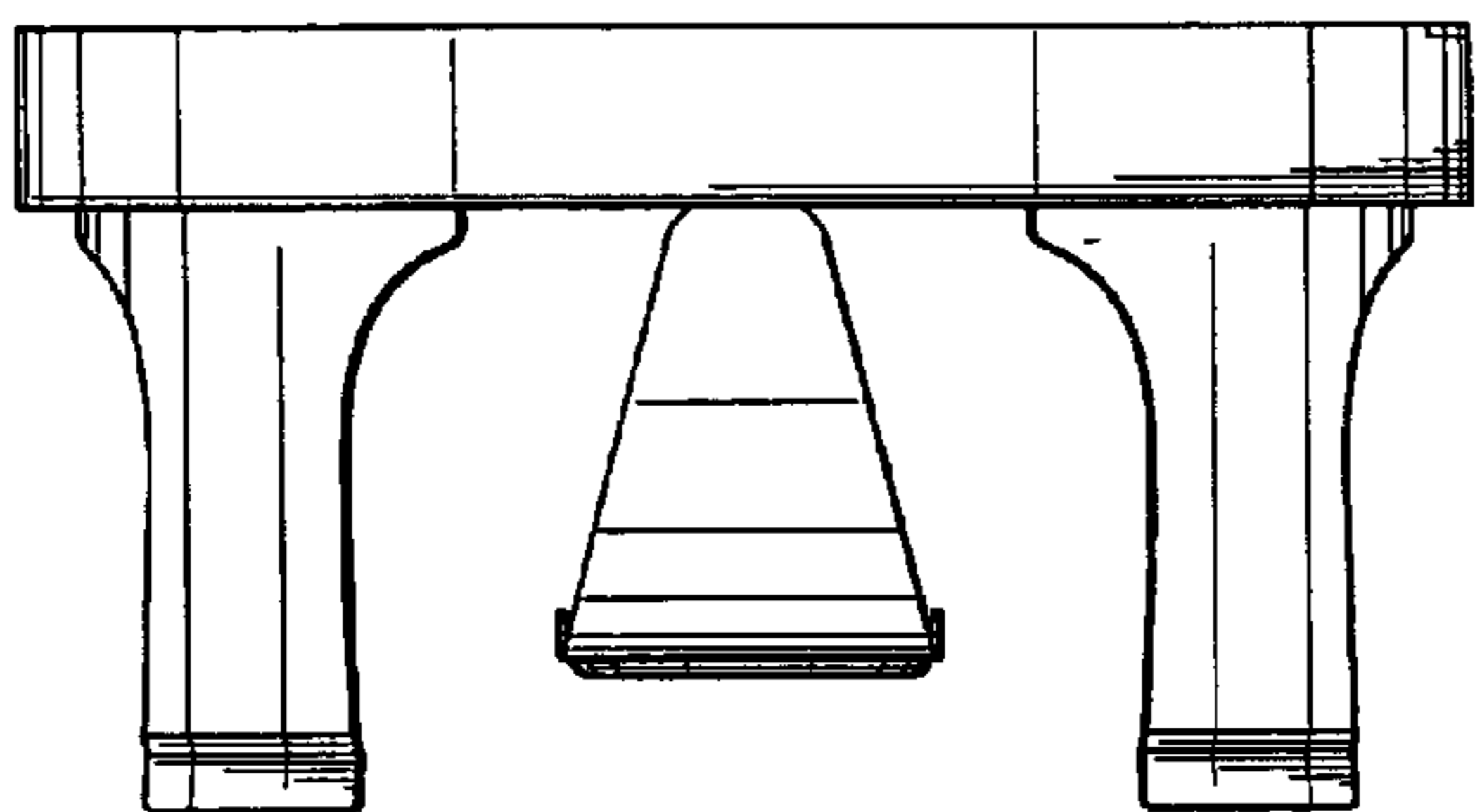
(57) **CLAIM**

The ornamental design for a stand for chafing dish, as shown and described.

DESCRIPTION

FIG. 1 is a front view of a stand for chafing dish showing my new design;
FIG. 2 is a rear elevational view thereof;
FIG. 3 is a left side elevational view thereof;
FIG. 4 is a right side elevational view thereof,
FIG. 5 is a top plan view thereof; and,
FIG. 6 is a bottom plan view thereof.

1 Claim, 3 Drawing Sheets



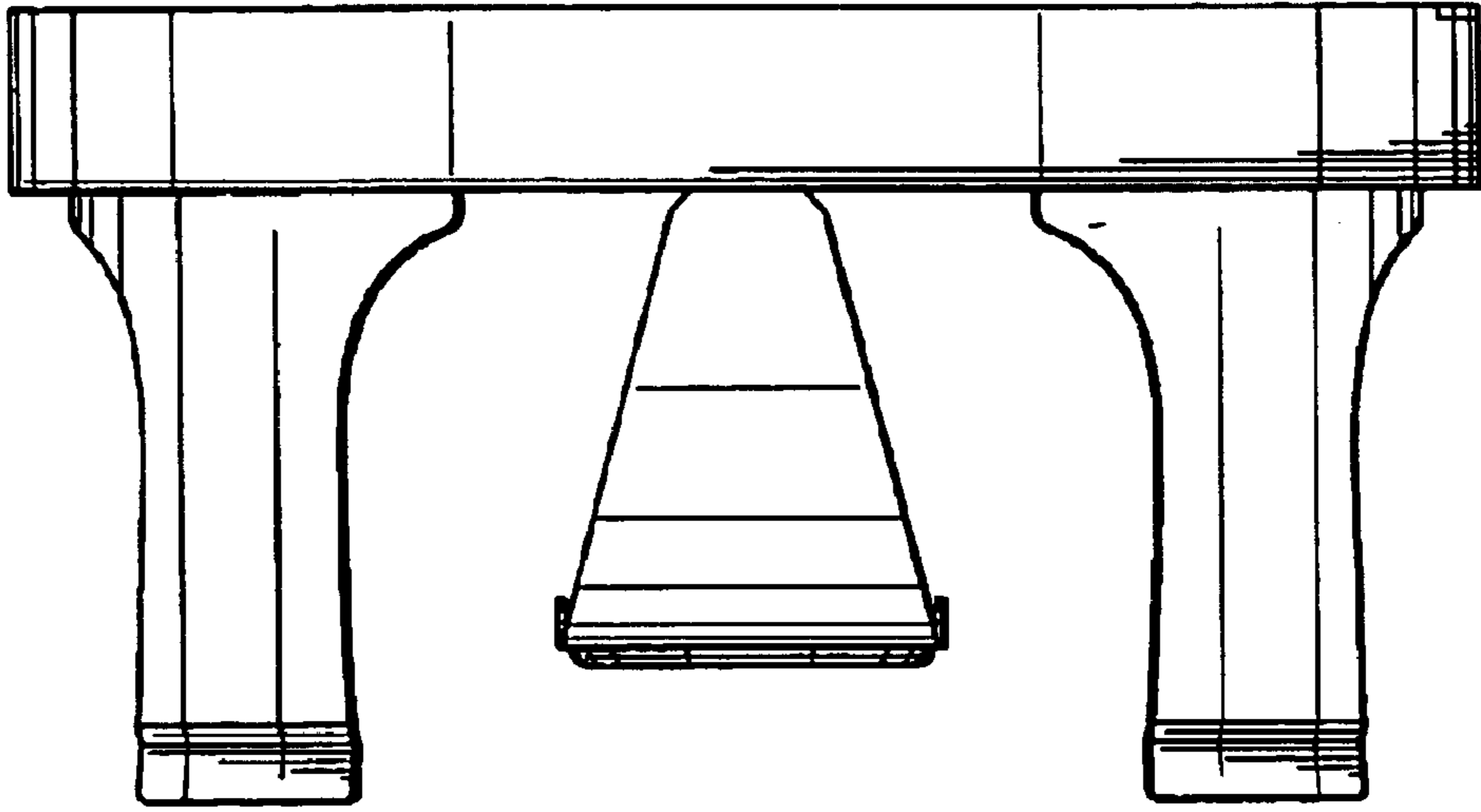


FIG. 1

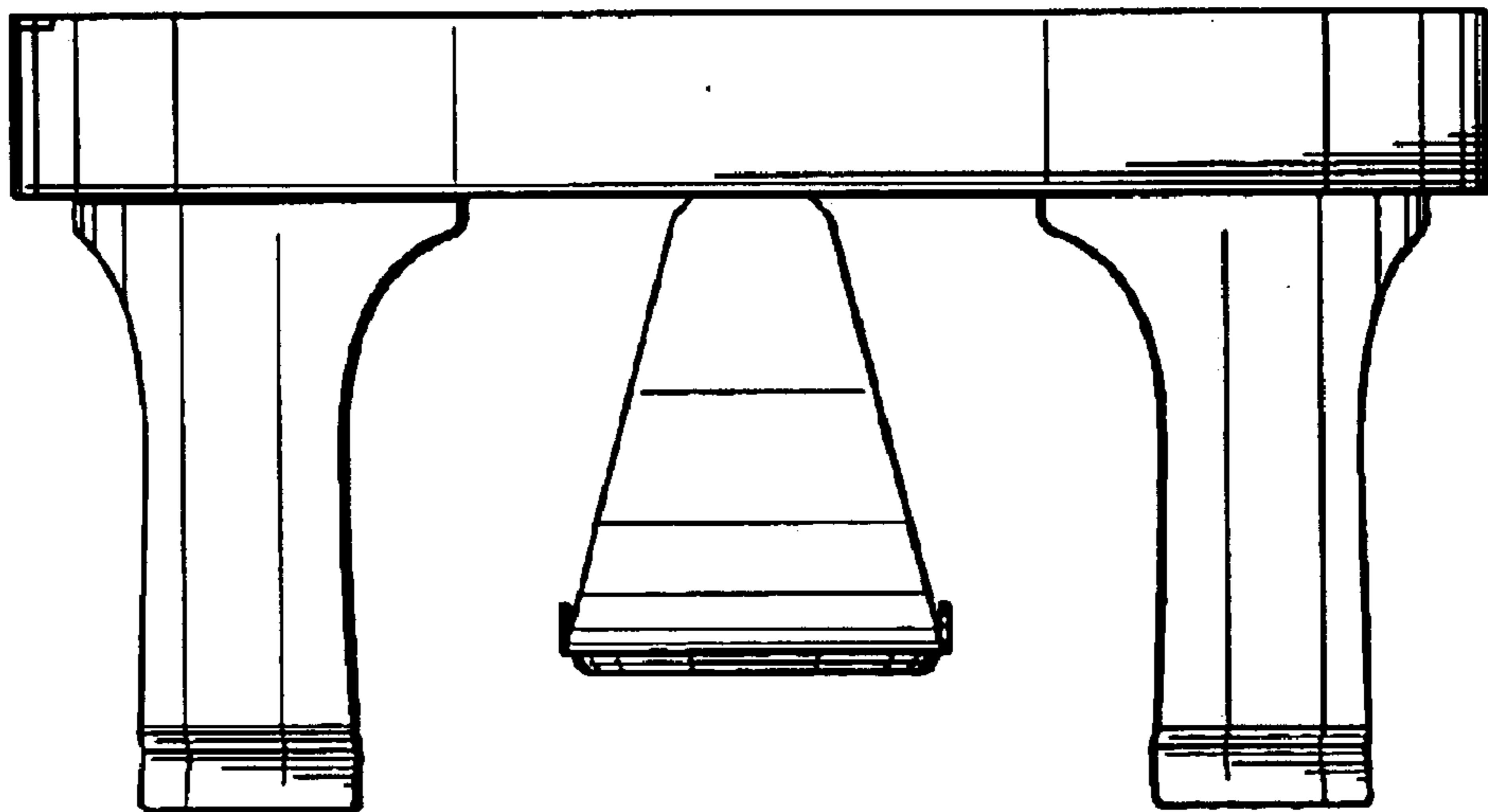


FIG. 2

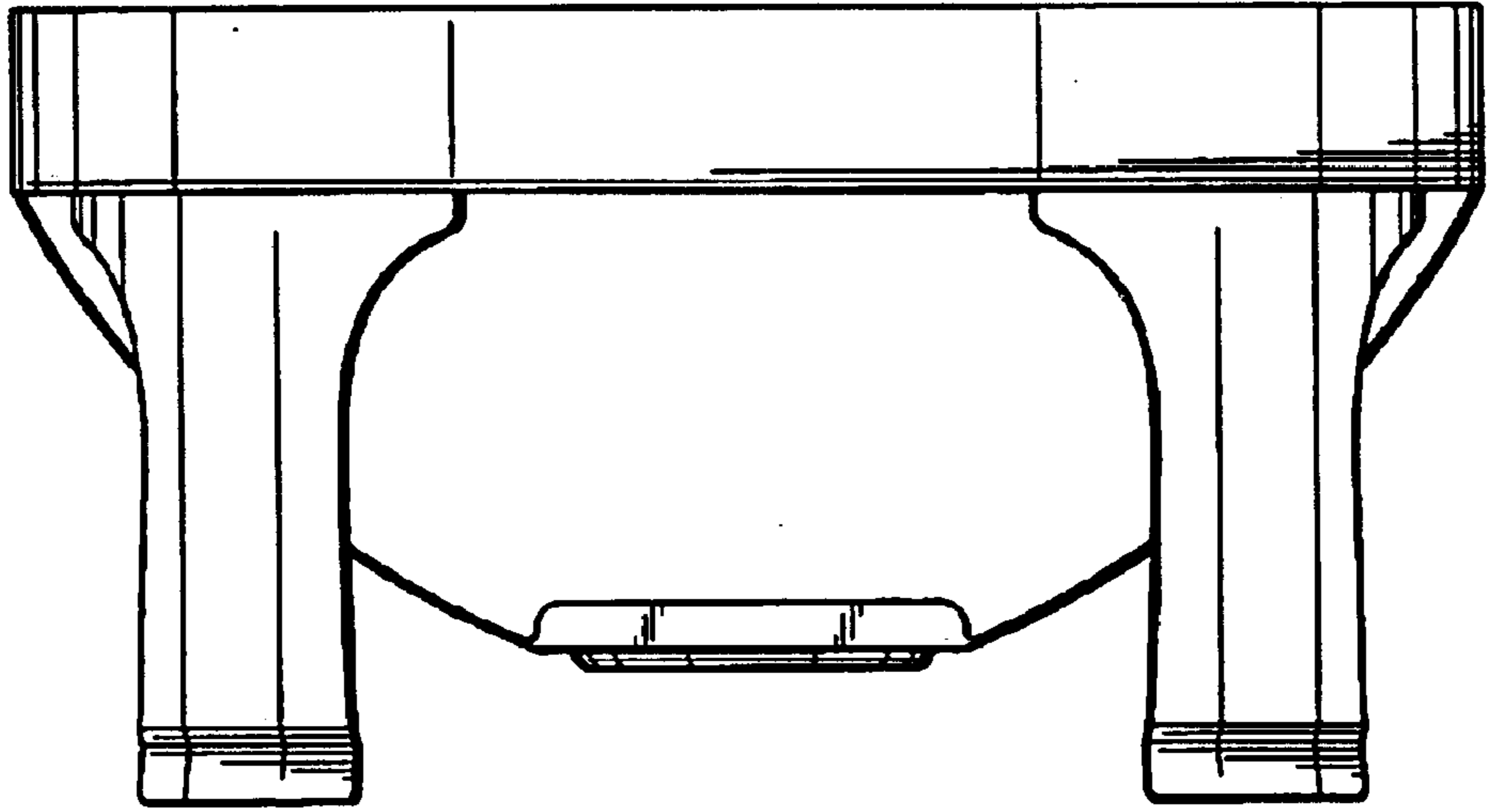


FIG. 3

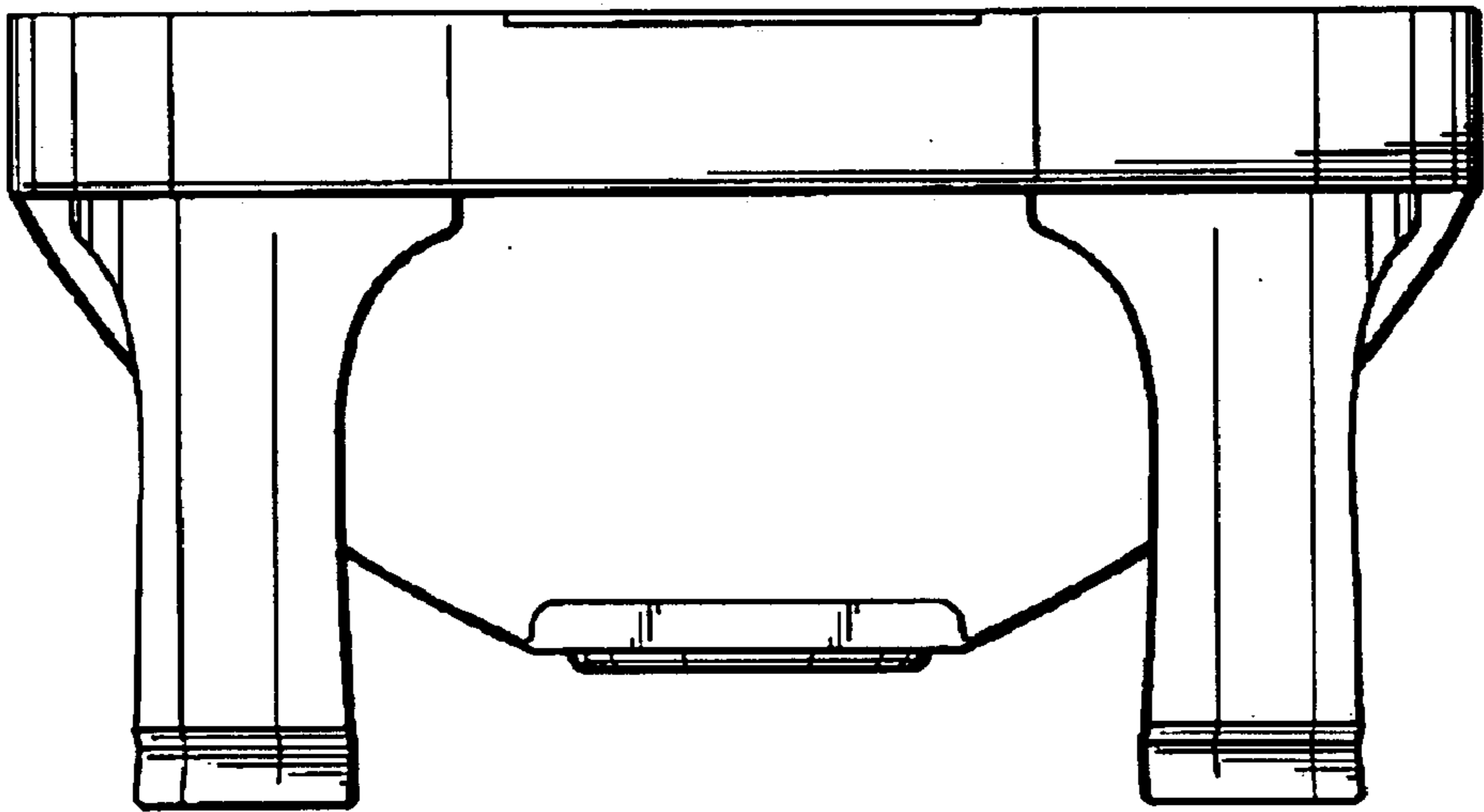


FIG. 4

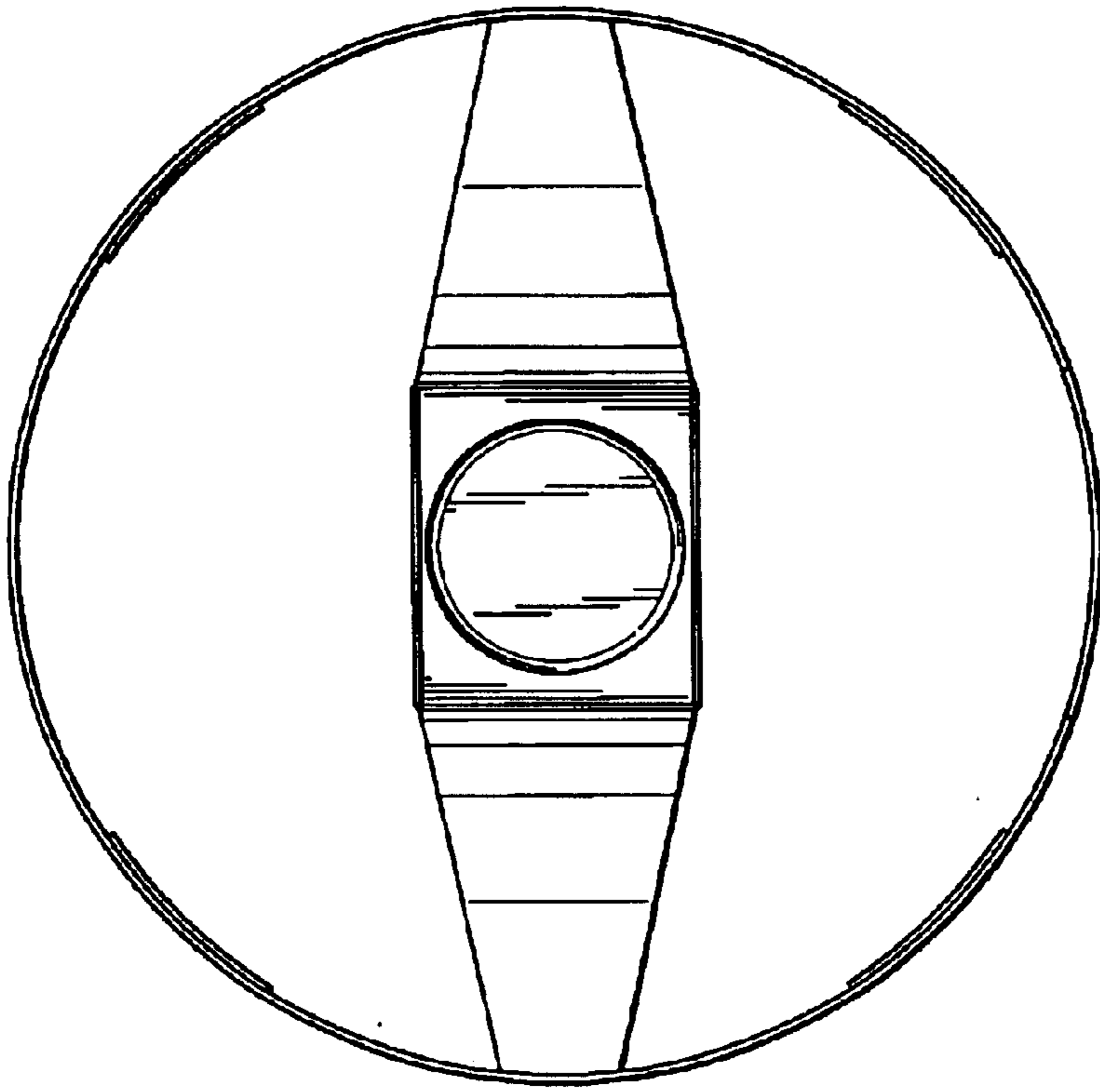


FIG. 5

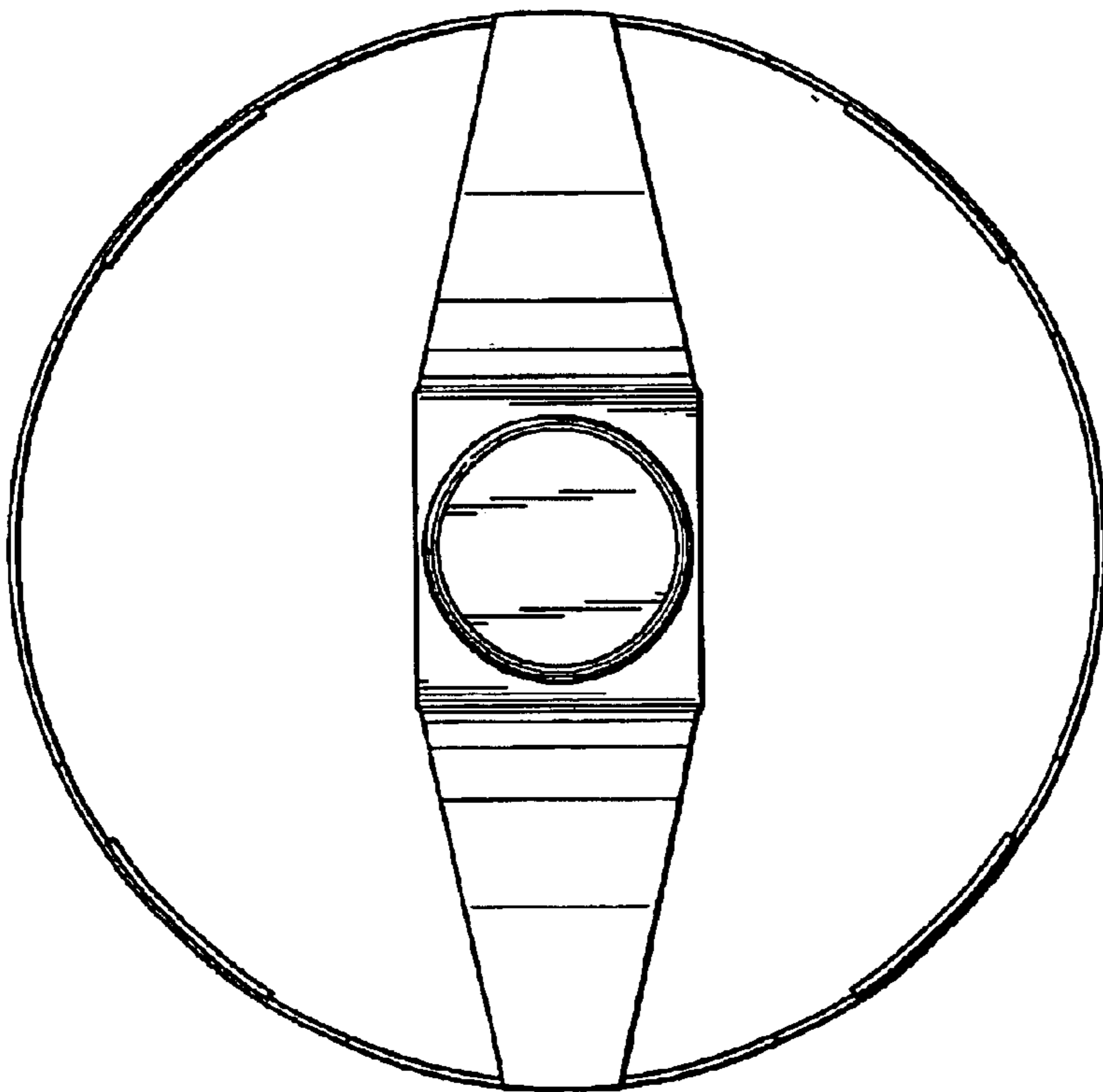


FIG. 6