



US00D491012S

(12) **United States Design Patent**  
**Rogers**

(10) **Patent No.:** **US D491,012 S**

(45) **Date of Patent:** **\*\* Jun. 8, 2004**

(54) **THREE POSITION WARMER**  
(75) Inventor: **Rex Allen Rogers**, Springfield, IL (US)  
(73) Assignee: **Bunn-o-Matic Corporation**,  
Springfield, IL (US)  
(\*\*) Term: **14 Years**

4,715,269 A \* 12/1987 Stoner ..... 99/279  
4,892,031 A \* 1/1990 Webster et al. .... 99/284  
D322,535 S \* 12/1991 Van Camp ..... D7/308  
5,226,406 A \* 7/1993 Reynolds ..... 126/39 R  
D350,868 S \* 9/1994 Newman ..... D7/305  
D350,869 S \* 9/1994 Newman ..... D7/305  
D352,421 S 11/1994 Newnan  
D455,607 S \* 4/2002 Johnson ..... D7/397

\* cited by examiner

(21) Appl. No.: **29/178,935**  
(22) Filed: **Apr. 2, 2003**

*Primary Examiner*—Ruth McInroy  
(74) *Attorney, Agent, or Firm*—Barnes & Thornburg

(51) **LOC (7) Cl.** ..... **07-02**  
(52) **U.S. Cl.** ..... **D7/364**  
(58) **Field of Search** ..... D7/362–367, 397,  
D7/399, 402–403, 309, 407; 219/433.1,  
446, 447.1, 448.17, 520, 533, 387, 452.11;  
99/288, 422

(57) **CLAIM**

What is claimed is the ornamental design for a three position warmer, as shown and described.

(56) **References Cited**  
**U.S. PATENT DOCUMENTS**

**DESCRIPTION**

D100,284 S \* 7/1936 Perlman ..... D7/309  
D103,508 S \* 3/1937 Renner ..... D7/309  
D149,146 S \* 3/1948 Richards ..... D7/309  
3,074,340 A \* 1/1963 Walton ..... 99/283  
D205,820 S \* 9/1966 Ryan ..... D7/364  
4,145,603 A \* 3/1979 Mackay et al. .... 219/387  
D255,592 S \* 6/1980 Kryszakowski ..... D21/738  
4,503,757 A \* 3/1985 Daugherty ..... 99/281  
D290,914 S \* 7/1987 Carlson ..... D6/474

FIG. 1 is a perspective view of a three position warmer showing my new design;  
FIG. 2 is a right side view thereof, the left side being a mirror image;  
FIG. 3 is a front elevational view thereof;  
FIG. 4 is a top plan view thereof;  
FIG. 5 is a bottom plan view thereof; and,  
FIG. 6 is a rear elevational view thereof.  
The details shown in broken lines are for illustrative purposes only and form no part of the claimed design.

**1 Claim, 2 Drawing Sheets**

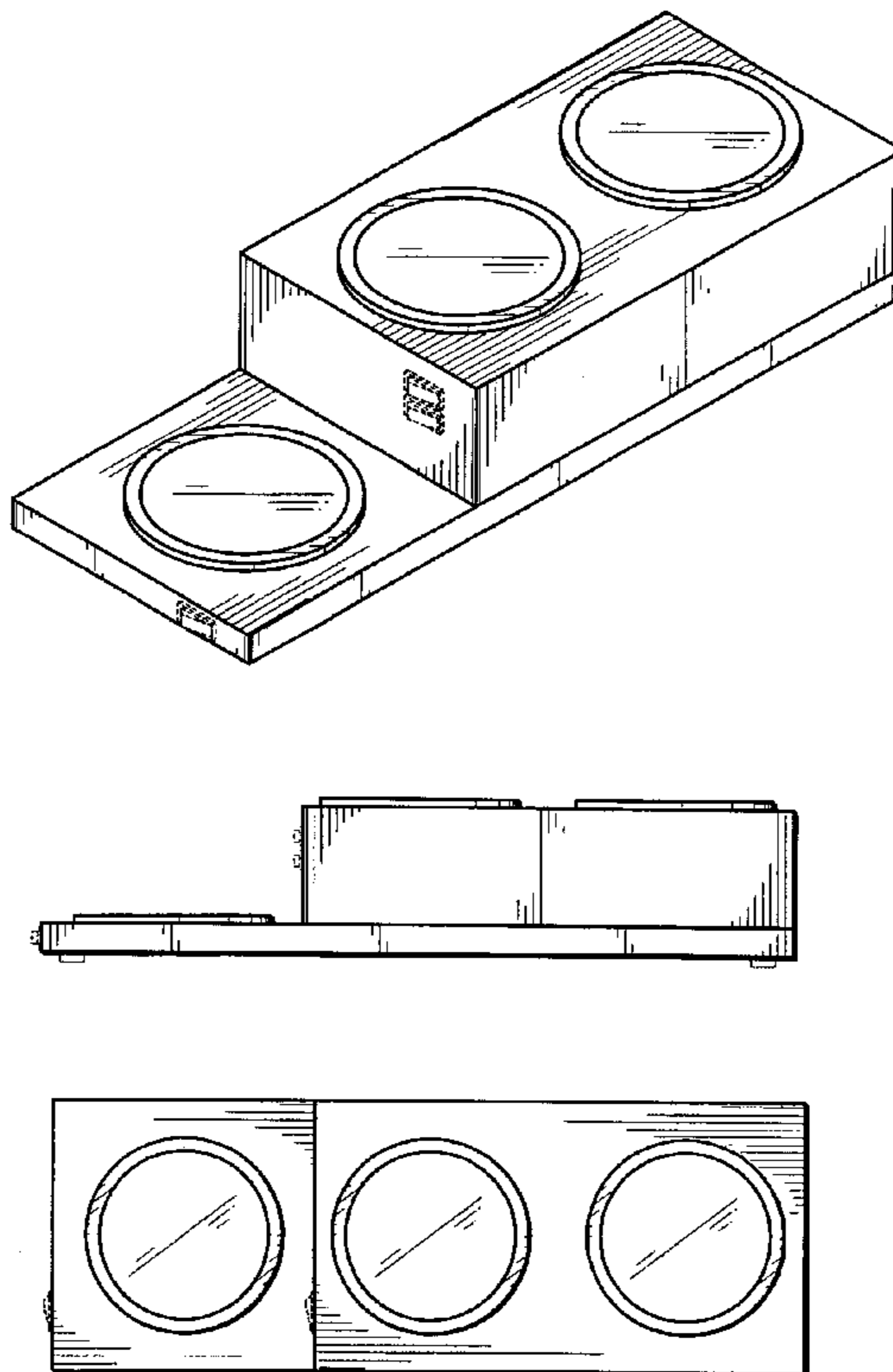


FIG. 1

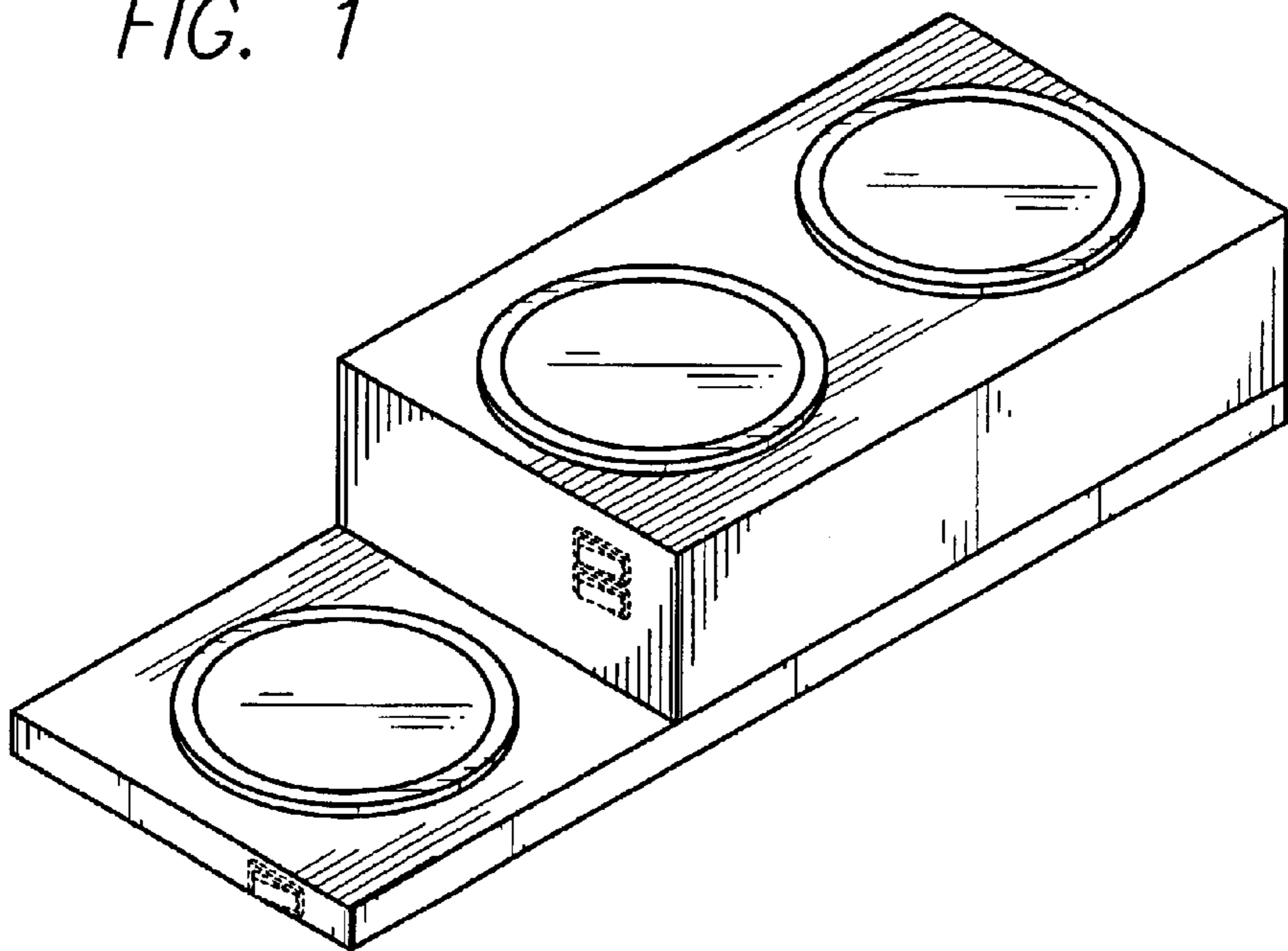


FIG. 2

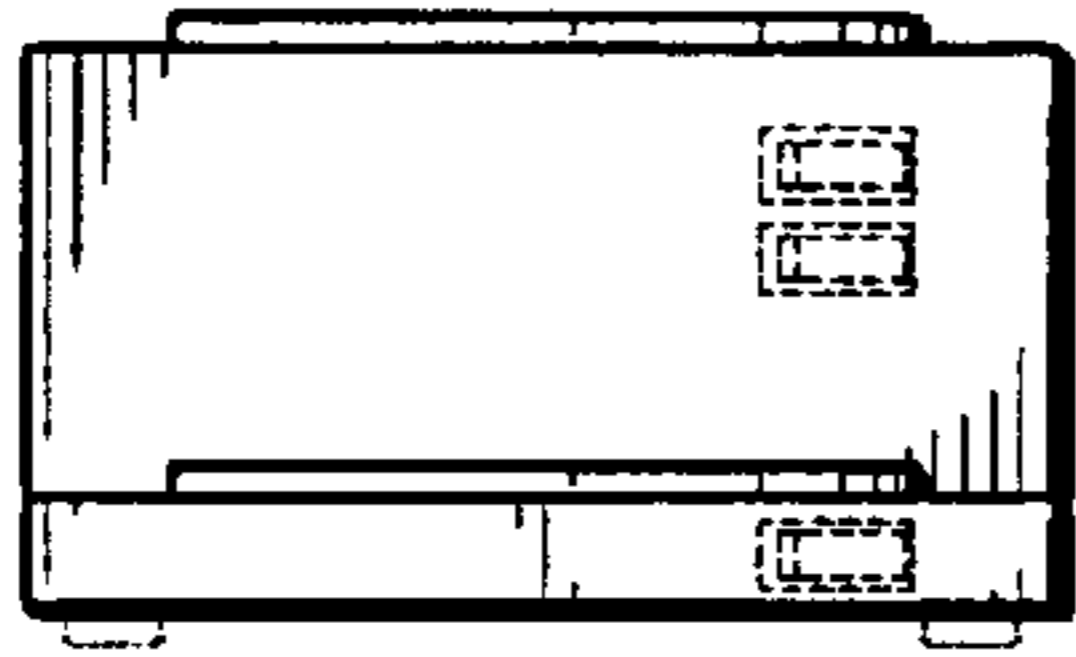
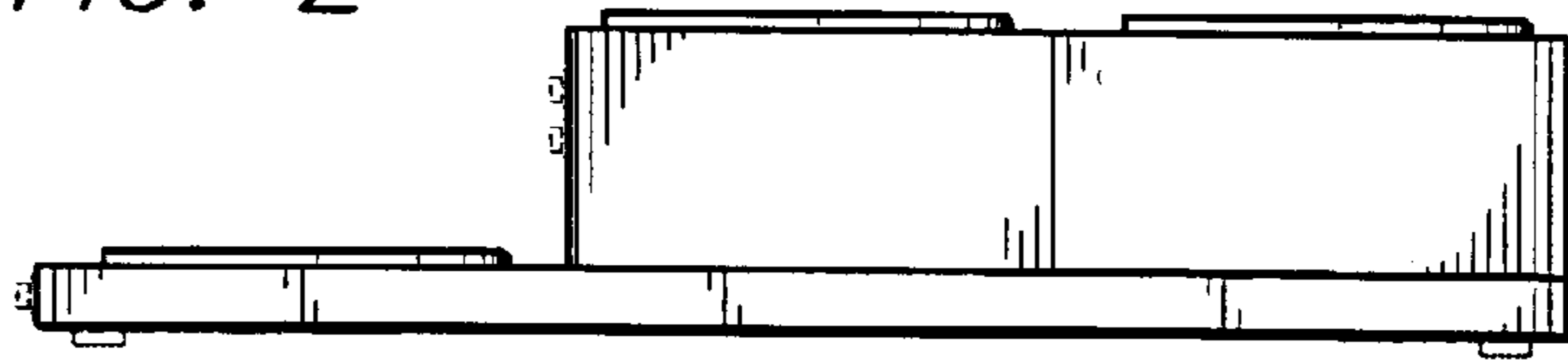


FIG. 3

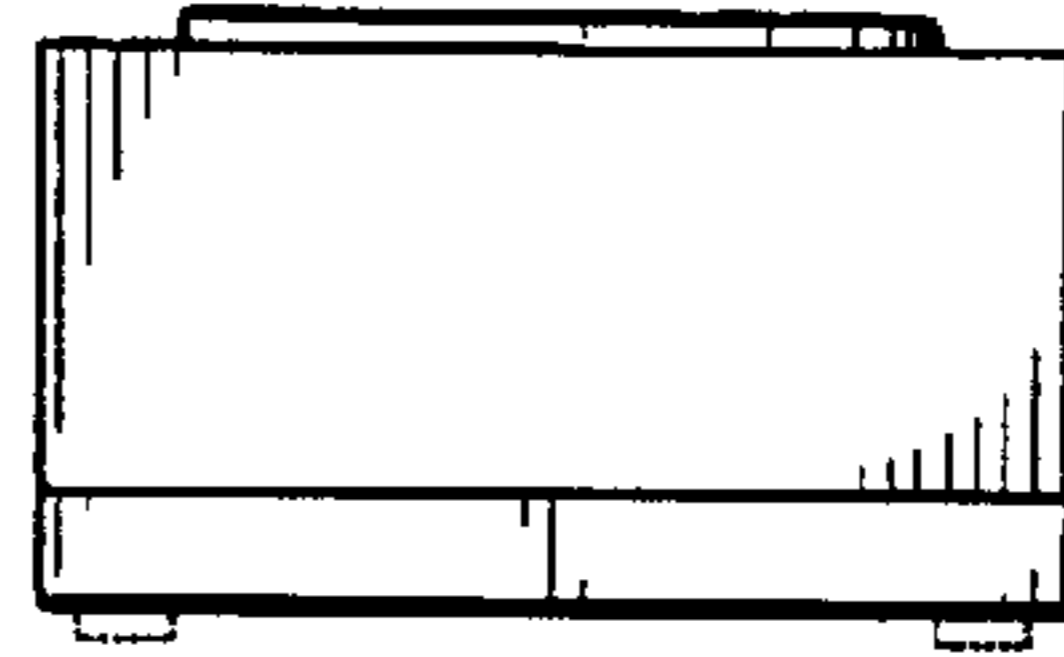


FIG. 6

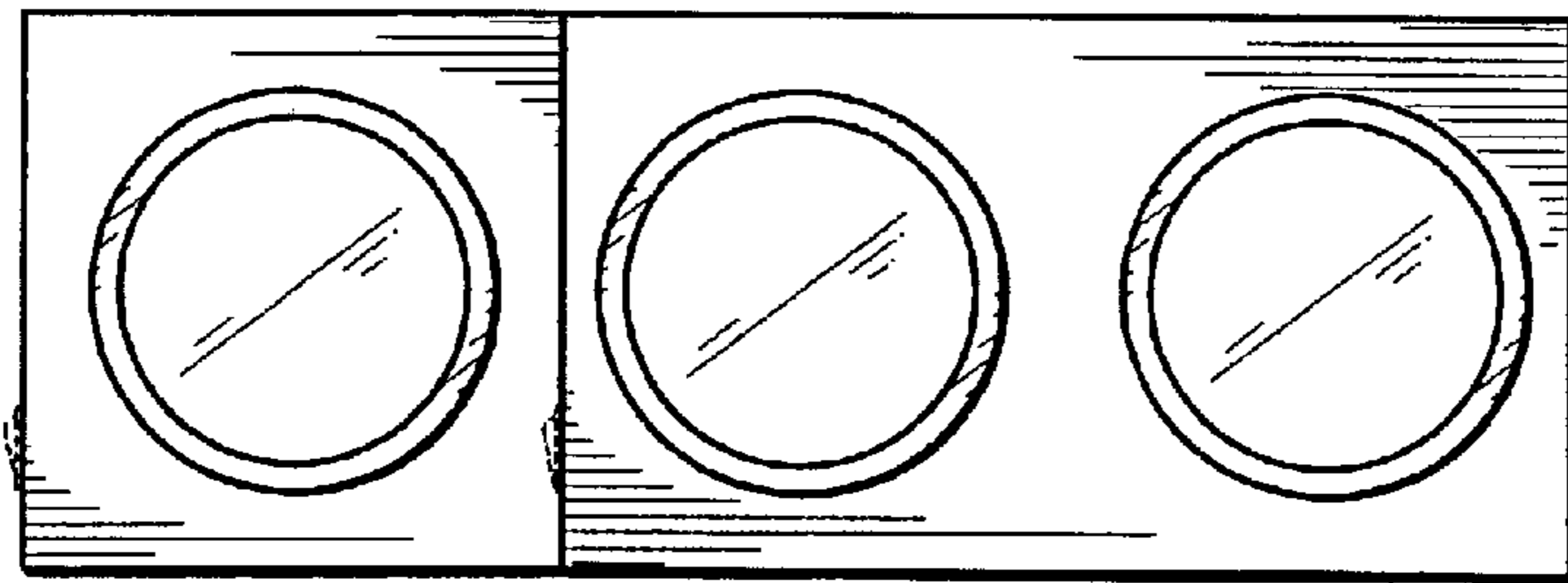


FIG. 4

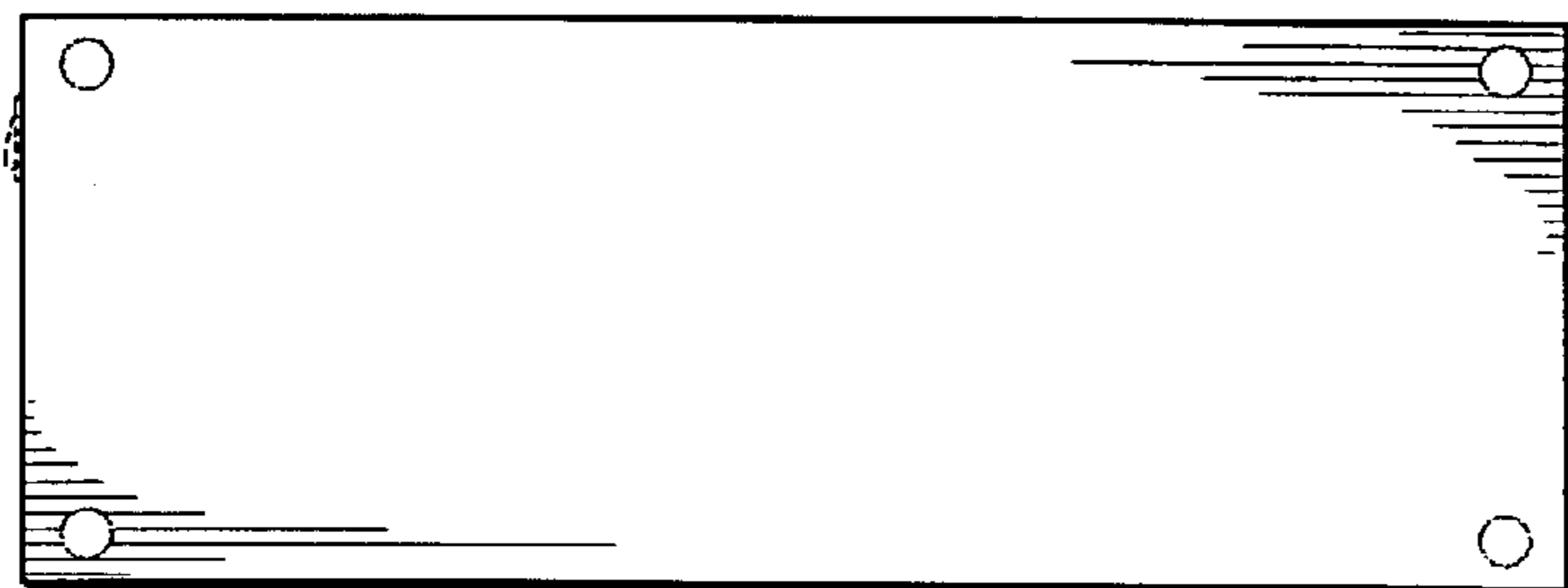


FIG. 5