



US00D491011S

(12) **United States Design Patent**
Park

(10) **Patent No.:** **US D491,011 S**

(45) **Date of Patent:** **** Jun. 8, 2004**

(54) **PRESSURE COOKER**

(76) Inventor: **Jong Peter Park**, 1630 Summitridge,
Diamond Bar, CA (US) 91765

(**) Term: **14 Years**

(21) Appl. No.: **29/162,893**

(22) Filed: **Jun. 25, 2002**

(51) **LOC (7) Cl.** **07-02**

(52) **U.S. Cl.** **D7/358**

(58) **Field of Search** D7/323, 354-361;
99/324-330, 337, 339, 340, 357, 403, 413;
220/316, 208, 573.1-573.5, 912, 366.1

(56) **References Cited**

U.S. PATENT DOCUMENTS

4,932,550 A * 6/1990 Moucha 220/203.09
5,370,259 A * 12/1994 Cartigny 220/316

D384,547 S * 10/1997 Roussard et al. D7/358

6,105,810 A * 8/2000 Daenen et al. 220/366.1

D433,273 S * 11/2000 Roussard D7/358

D448,965 S * 10/2001 Jang-Won D7/360

D455,600 S * 4/2002 Barrena D7/358

* cited by examiner

Primary Examiner—Caron D. Veynar

(57) **CLAIM**

The ornamental design for a pressure cooker, as shown.

DESCRIPTION

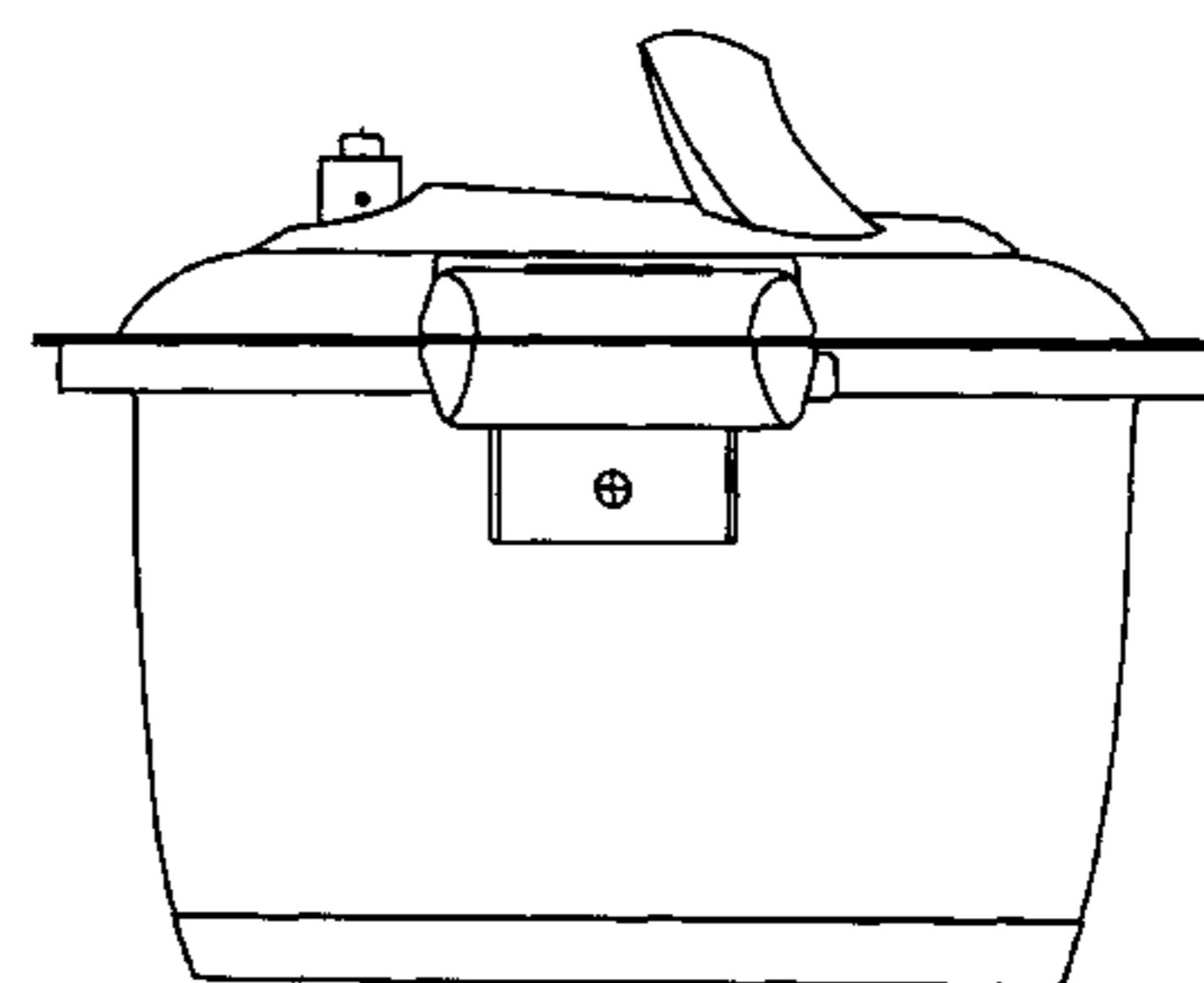
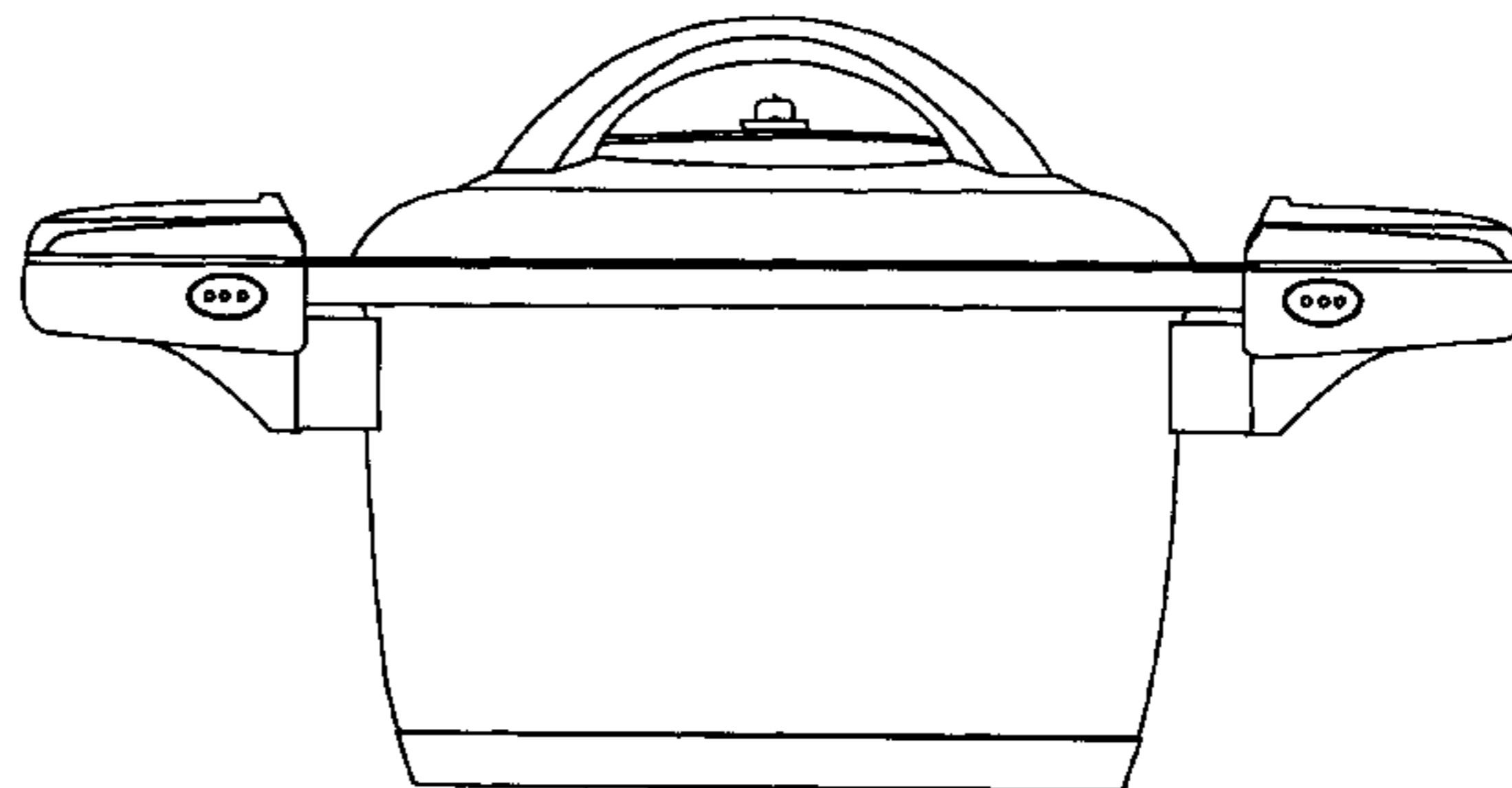
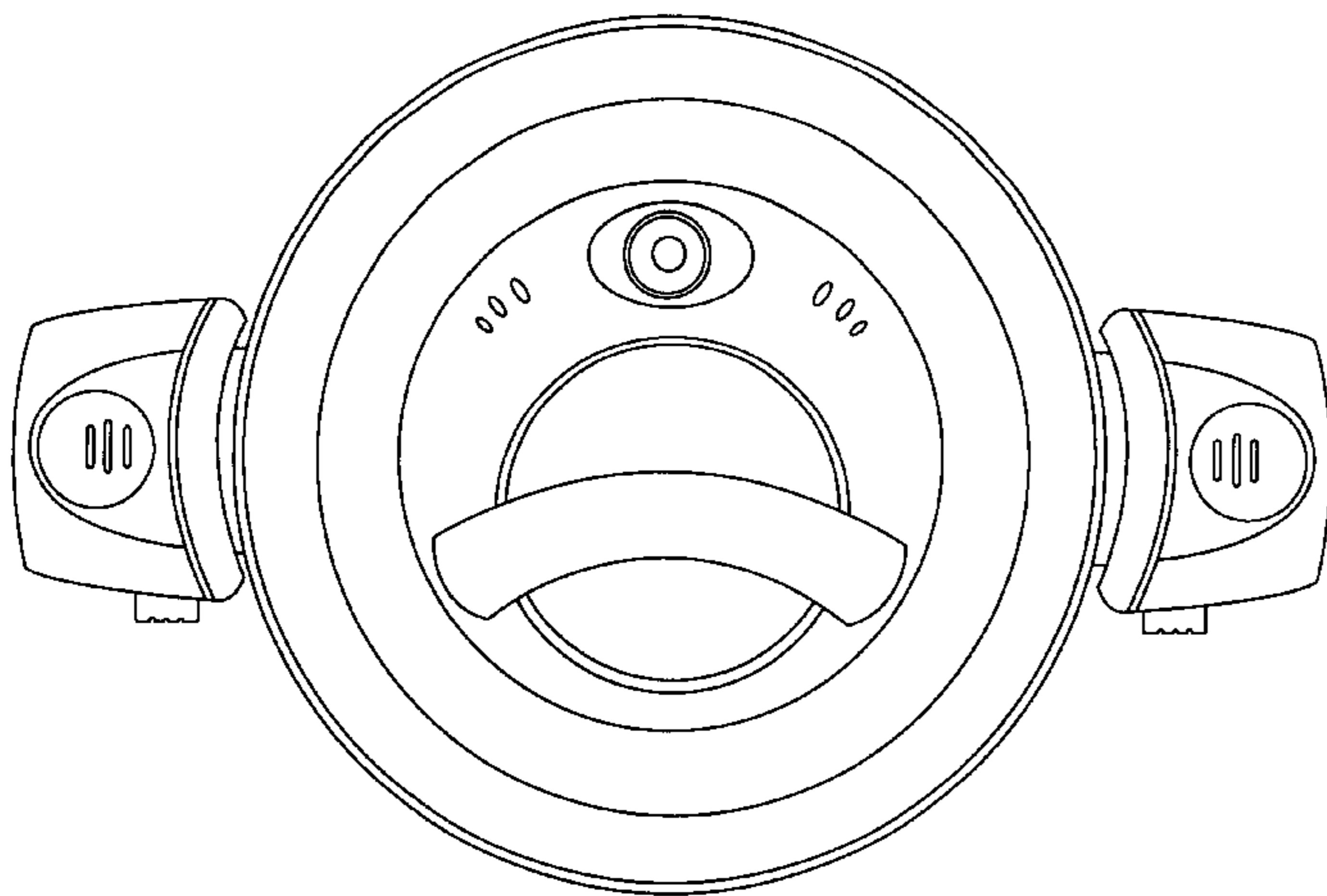
FIG. 1 is a top plan view of a pressure cooker showing my new design;

FIG. 2 is a front view thereof;

FIG. 3 is a side view thereof; and,

FIG. 4 is a back view thereof opposite FIG. 2.

1 Claim, 3 Drawing Sheets



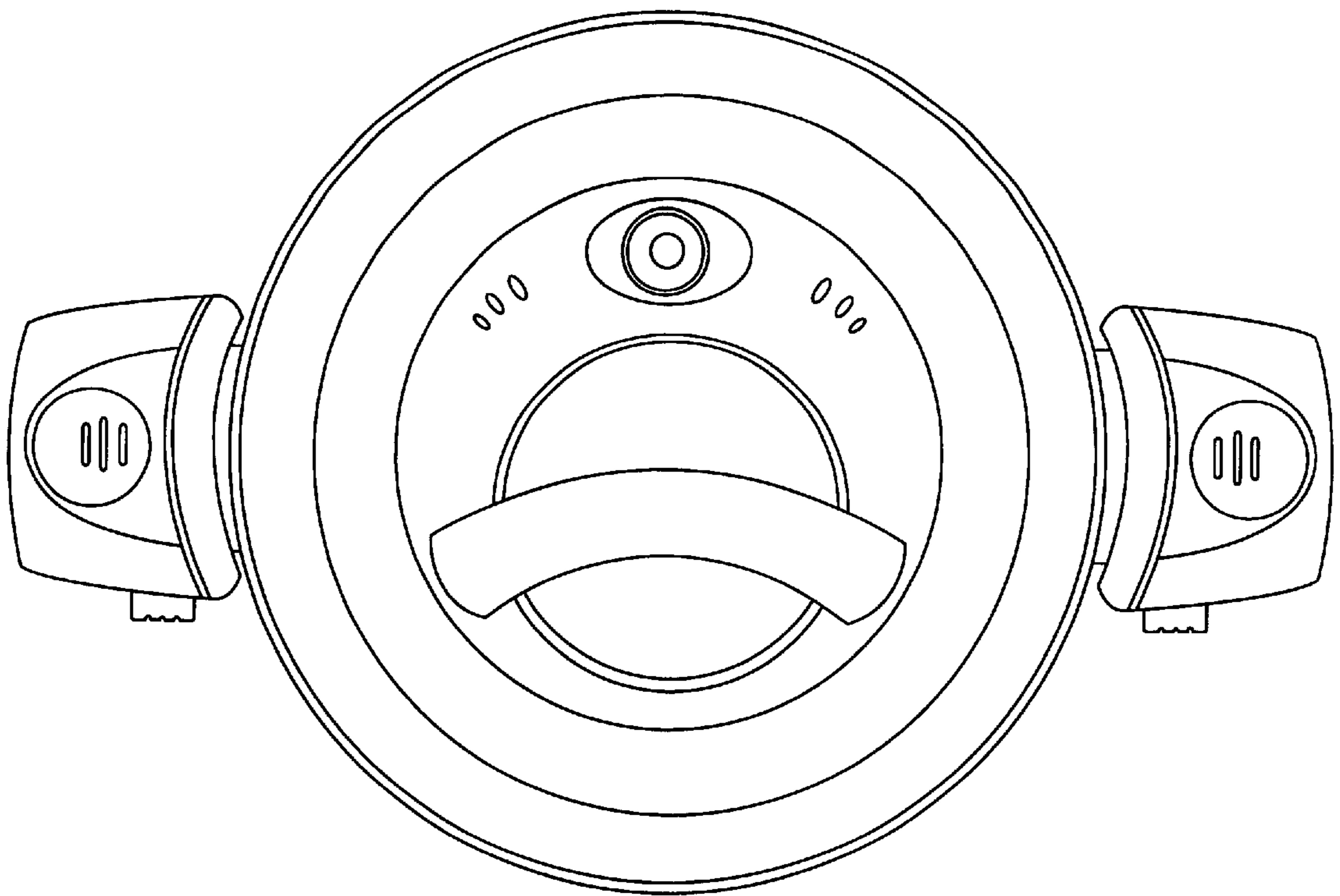


Fig. 1

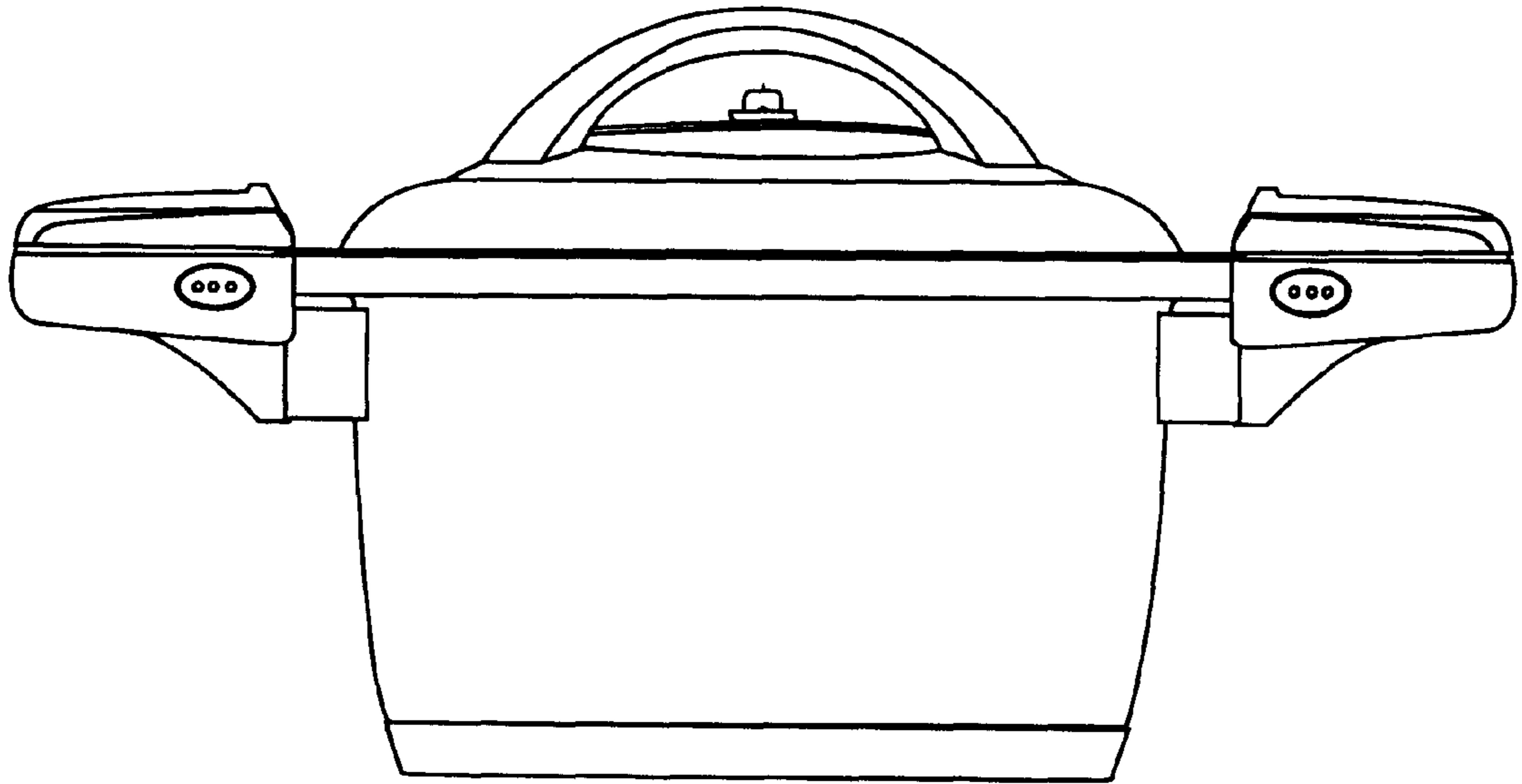


Fig. 2

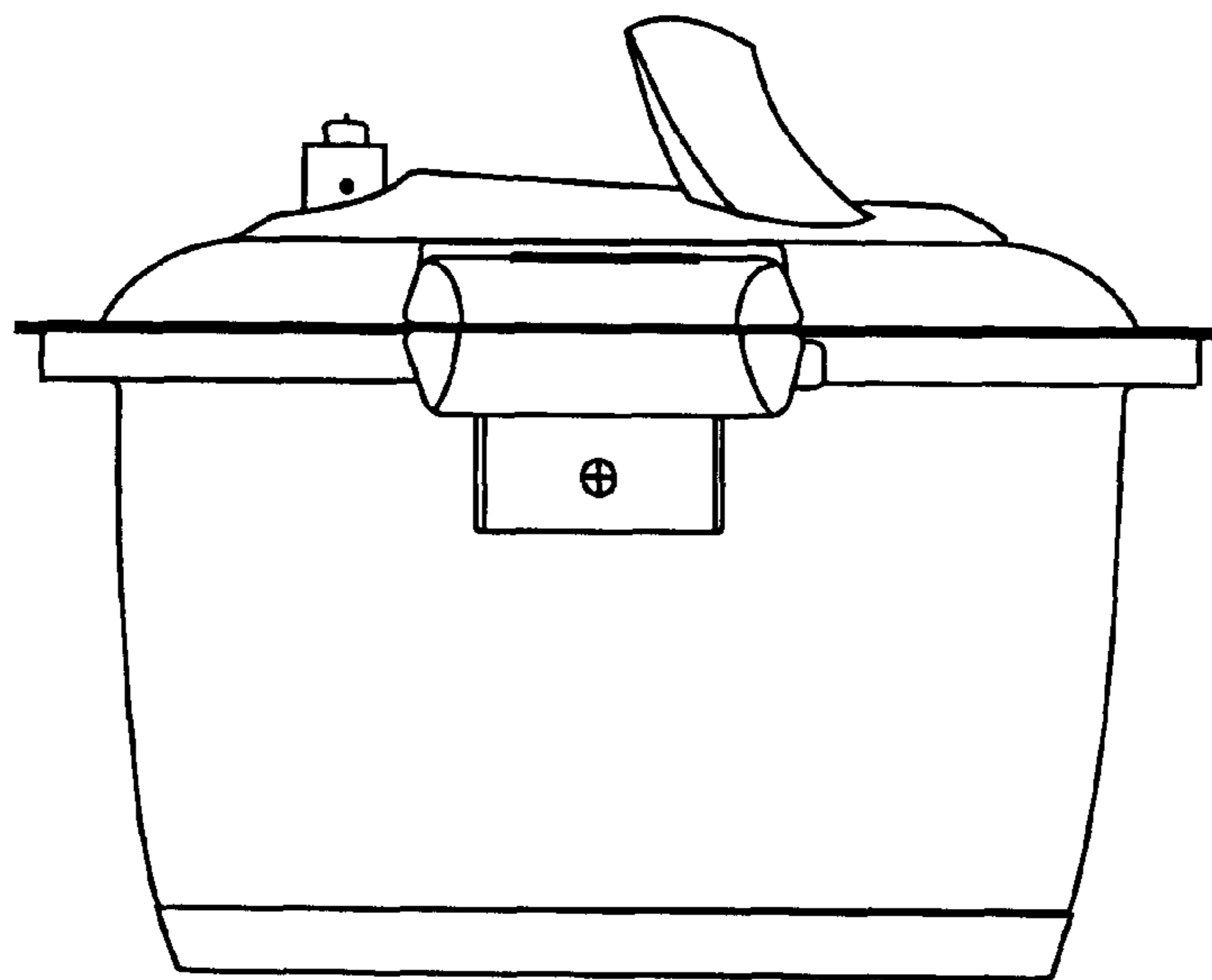


Fig. 3

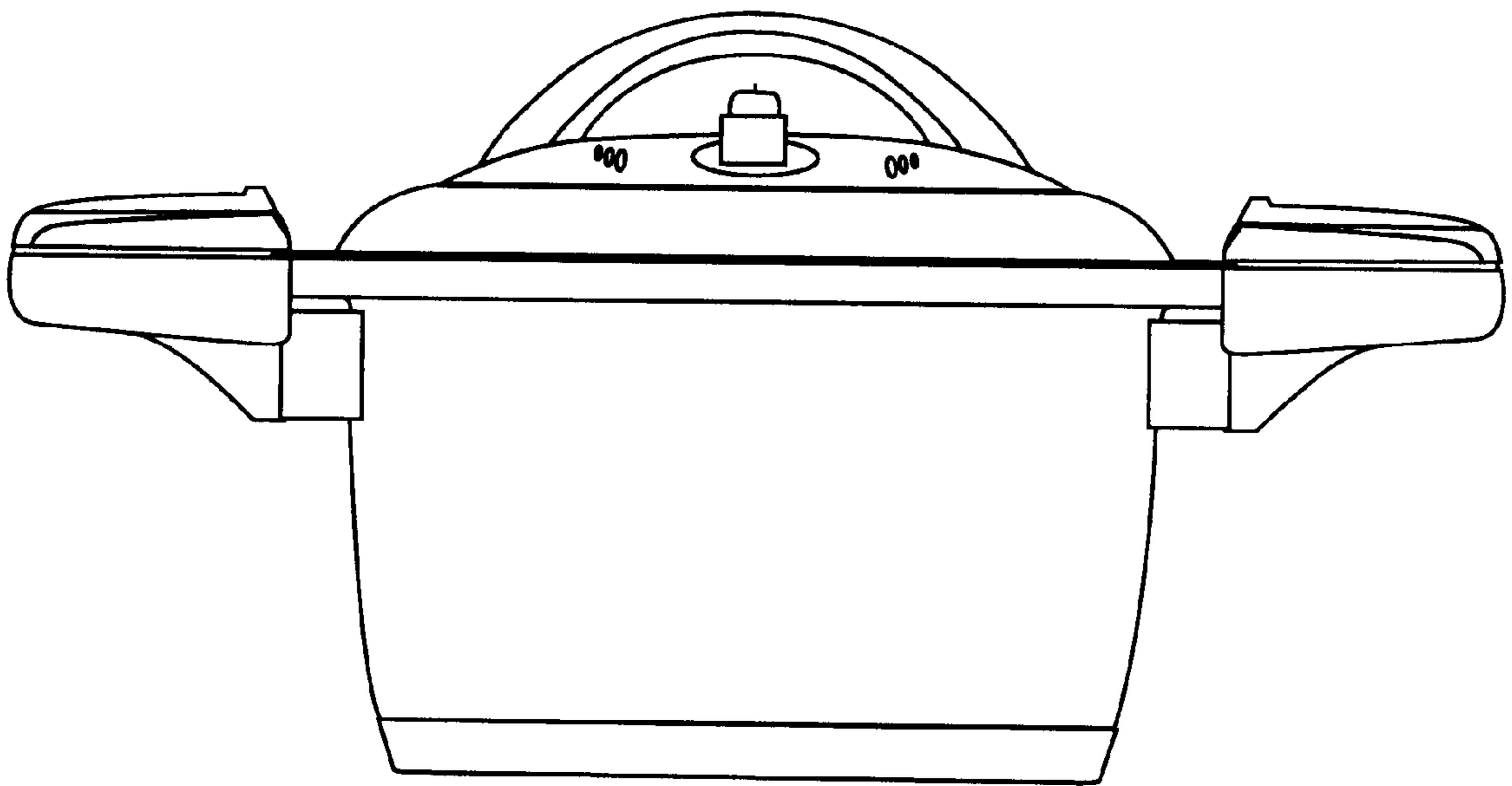


Fig. 4