



US00D491009S

(12) **United States Design Patent**
Burdett et al.

(10) **Patent No.: US D491,009 S**

(45) **Date of Patent: ** Jun. 8, 2004**

(54) **LOCKABLE MEDIA STORAGE CONTAINER**

(75) Inventors: **Ronald K. Burdett**, Strasburg, OH (US); **Dennis D. Belden, Jr.**, Canton, OH (US); **Nicholas M. Sedon**, Massillon, OH (US)

(73) Assignee: **Nexpak Corporation**, Uniontown, OH (US)

(**) Term: **14 Years**

(21) Appl. No.: **29/158,780**

(22) Filed: **Apr. 9, 2002**

Related U.S. Application Data

(62) Division of application No. 09/618,652, filed on Jul. 18, 2000, which is a continuation-in-part of application No. 09/317,554, filed on May 24, 1999, now Pat. No. 6,135,280, which is a continuation of application No. 09/015,085, filed on Jan. 29, 1998, now Pat. No. 5,944,185.

(51) **LOC (7) Cl.** **06-04**
(52) **U.S. Cl.** **D6/632; D6/407; D6/634**
(58) **Field of Search** **D2/946-949, 951-960; 36/3 B, 22 R, 25 R, 30 R, 32 A, 32 R, 59 R, 67 A, 67 B**

(56) **References Cited**

U.S. PATENT DOCUMENTS

- 1,566,041 A 12/1925 Schaus
- 3,685,684 A 8/1972 Schindler et al.
- 4,469,225 A 9/1984 Takahashi
- 4,589,549 A 5/1986 Hehn
- 4,593,814 A 6/1986 Hagiwara et al.
- 4,635,797 A 1/1987 Bankier
- 4,972,690 A 11/1990 O'Sullivan
- 5,016,752 A 5/1991 Haugen, Jr.
- D351,080 S 10/1994 Sykes et al.
- D352,860 S 11/1994 Du Corday
- 5,375,708 A 12/1994 Wittman
- 5,390,515 A 2/1995 Essick

- D356,922 S 4/1995 Du Corday
- D358,961 S 6/1995 Lax
- D366,802 S 2/1996 Roberts et al.
- D373,044 S 8/1996 Kikuchi
- D378,333 S 3/1997 Anderson
- D380,927 S 7/1997 Williams et al.
- 5,823,341 A * 10/1998 Nakasuji 206/387.11
- D407,592 S 4/1999 Burdett et al.
- 5,901,840 A * 5/1999 Nakasuji 206/1.5
- 5,904,246 A * 5/1999 Weisburn et al. 206/308.2
- 6,126,001 A * 10/2000 McGill 206/308.2
- 6,135,280 A * 10/2000 Burdett et al. 206/387.11
- 6,182,480 B1 2/2001 Kim
- 6,240,750 B1 * 6/2001 Gillespie et al. 70/57.1
- D449,161 S * 10/2001 Gillespie et al. D3/276
- D477,767 S * 7/2003 Burdett et al. D8/330
- D477,983 S * 8/2003 Burdett et al. D8/330
- 6,601,701 B1 * 8/2003 Belden et al. 206/387.11

FOREIGN PATENT DOCUMENTS

- EP 0 483 422 A1 5/1992
- EP 0 589 551 A1 3/1994

* cited by examiner

Primary Examiner—Celia Murphy

(74) *Attorney, Agent, or Firm*—Renner, Otto, Boisselle & Sklar, LLP

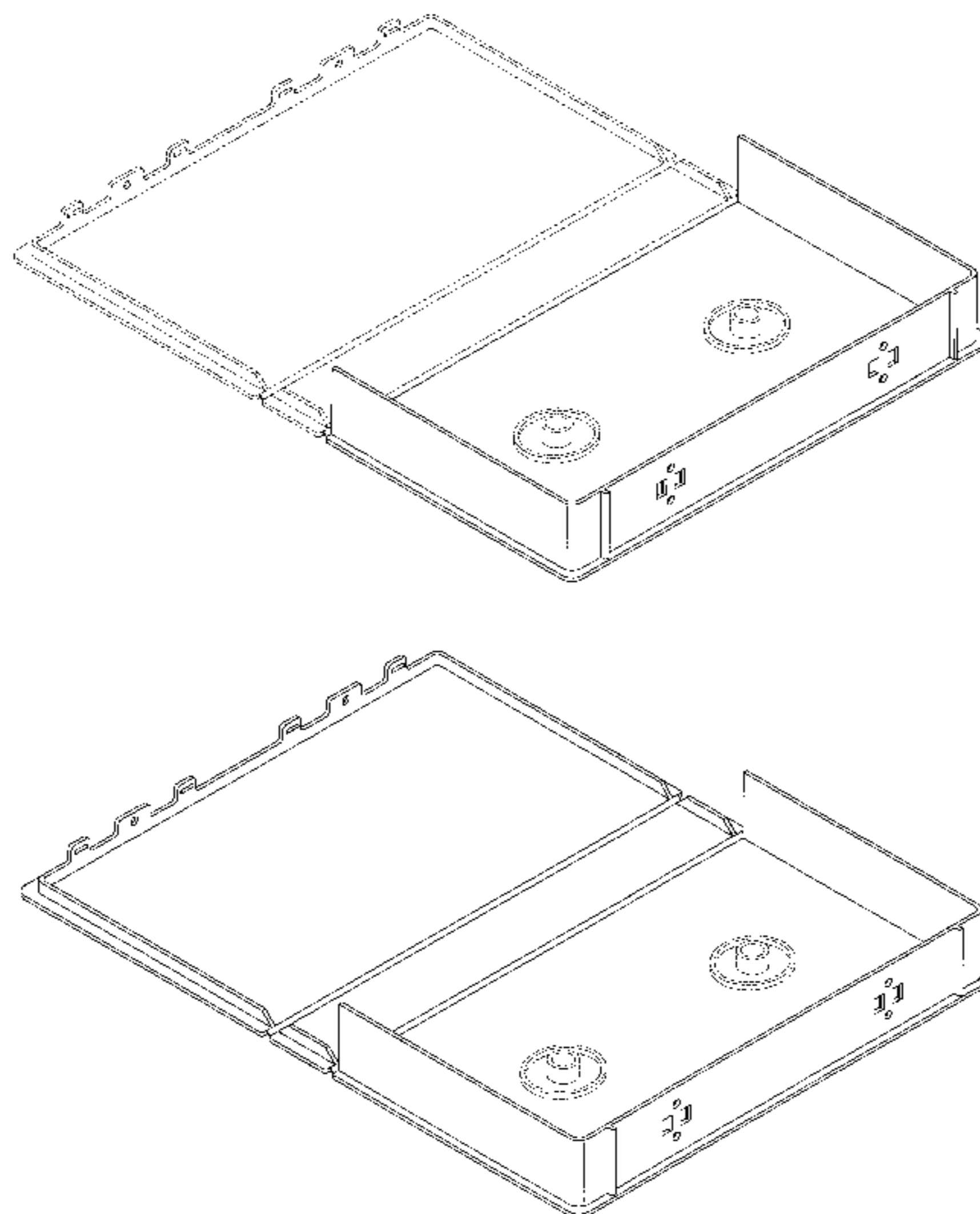
(57) **CLAIM**

The ornamental design for the lockable media storage container, as shown and described.

DESCRIPTION

FIG. 1 is an isometric view of the lockable media storage container showing our new design; and, FIG. 2 is an isometric view of an alternative embodiment of the lockable media storage container showing our new design. The broken lines are for illustrative purposes only and form no part of the claimed design.

1 Claim, 2 Drawing Sheets



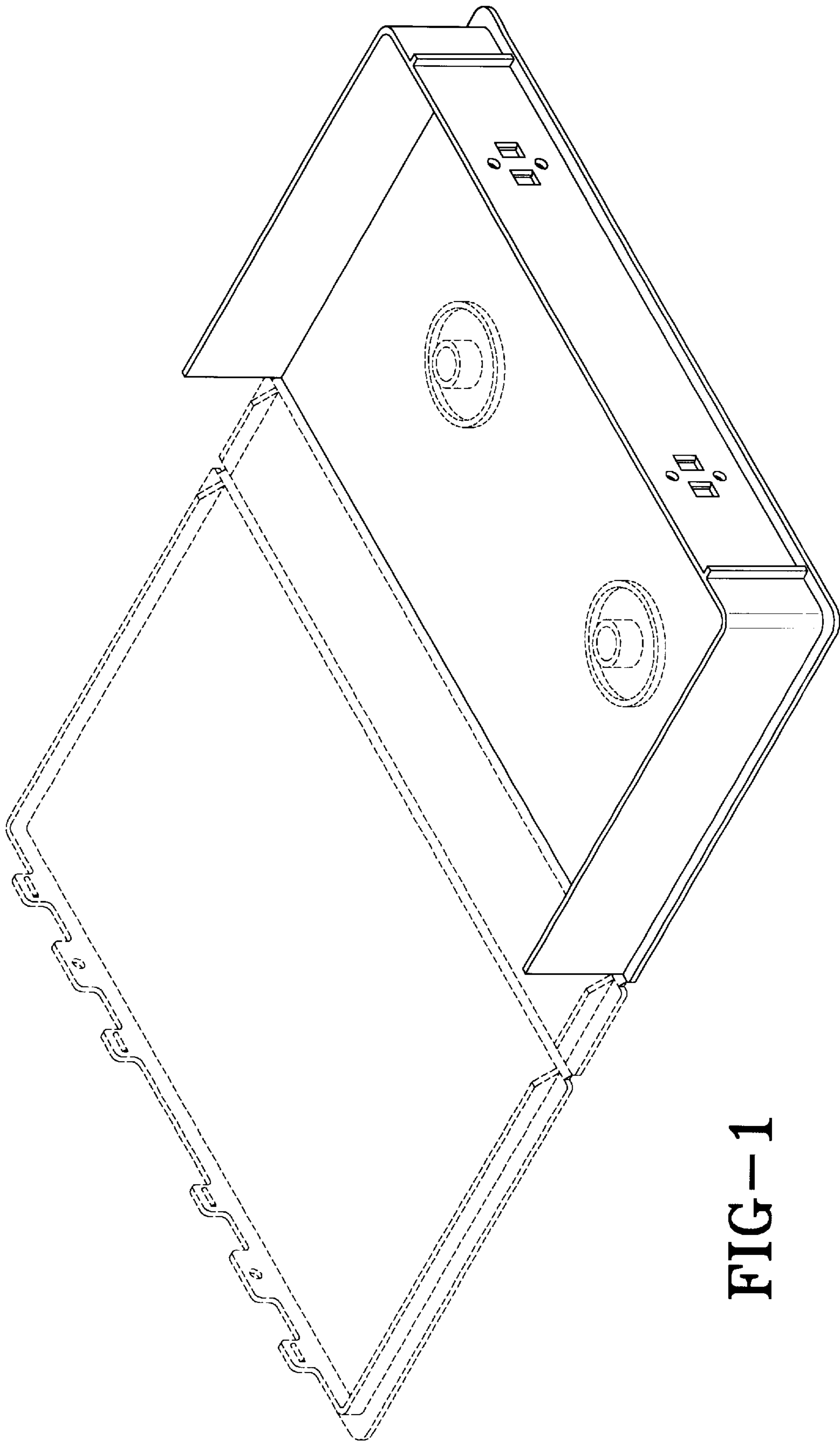


FIG-1

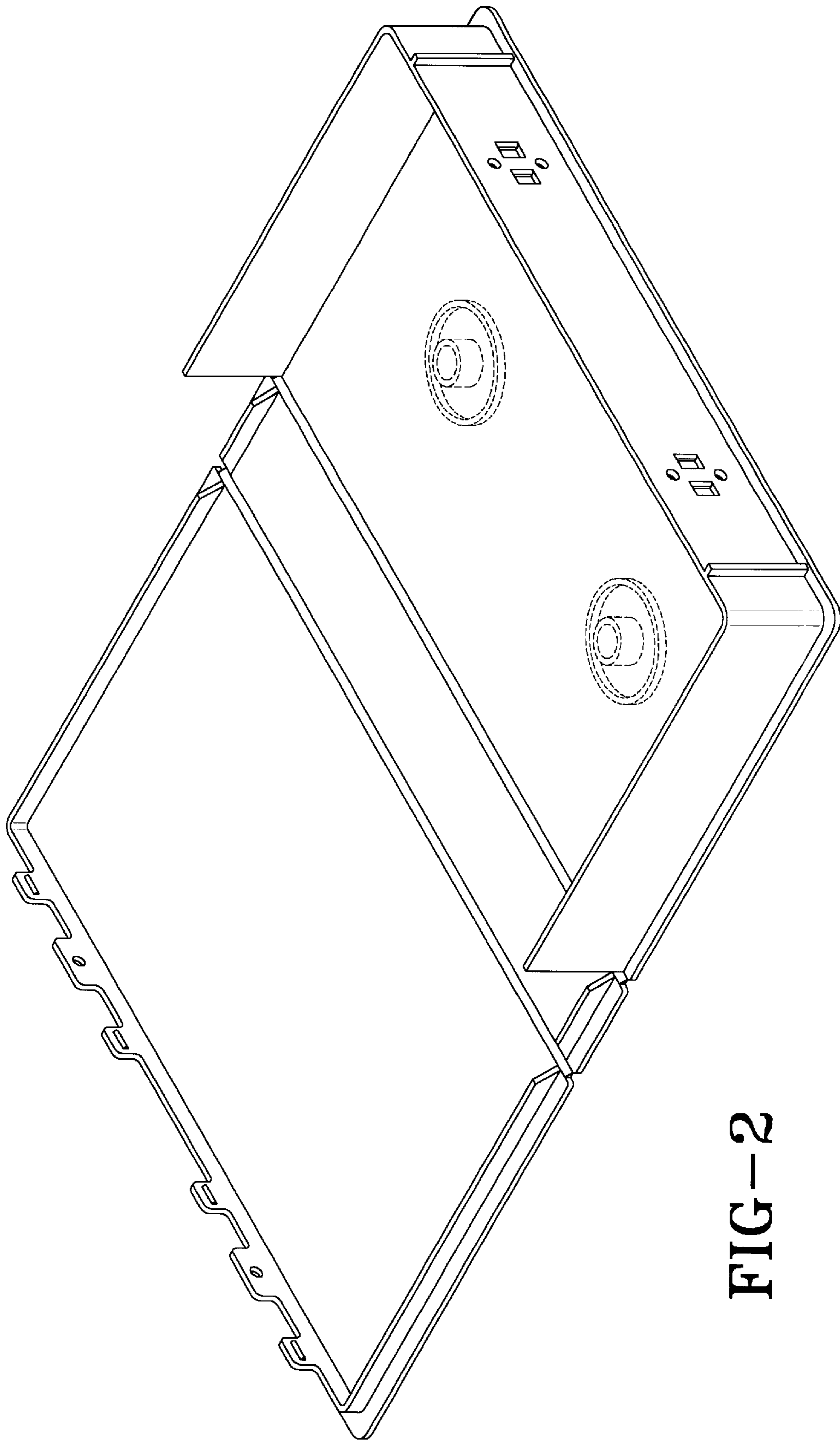


FIG-2