



US00D491003S

(12) **United States Design Patent**
Moon et al.

(10) **Patent No.:** **US D491,003 S**

(45) **Date of Patent:** **** Jun. 8, 2004**

(54) **SOLID TRAY STACKABLE SHELVES WITH SIDEWALLS**

6,202,867 B1 * 3/2001 Di Blasi et al. 211/188
D439,769 S * 4/2001 Prince et al. D6/479
D440,079 S * 4/2001 Wohlford D6/479
D477,160 S * 7/2003 Grosfillex D6/479

(75) Inventors: **Brian Moon**, De Kalb, IL (US);
Torrence Anderson, Overland Park, KS (US); **Robert Kopp**, Wheaton, IL (US)

* cited by examiner

(73) Assignee: **Suncast Corporation**, Batavia, IL (US)

Primary Examiner—Cathron Brooks
(74) *Attorney, Agent, or Firm*—McHale & Slavin, P.A.

(**) Term: **14 Years**

(57) **CLAIM**

(21) Appl. No.: **29/194,073**

The ornamental design for a solid tray stackable shelves with sidewalls, as shown and described.

(22) Filed: **Nov. 19, 2003**

DESCRIPTION

(51) **LOC (7) Cl.** **06-04**

(52) **U.S. Cl.** **D6/479**

(58) **Field of Search** D6/464, 474-476,
D6/477-479; 108/59, 60, 91, 92, 147.11,
149; 211/153, 186, 188, 194; 312/7.2, 9.1,
223.1

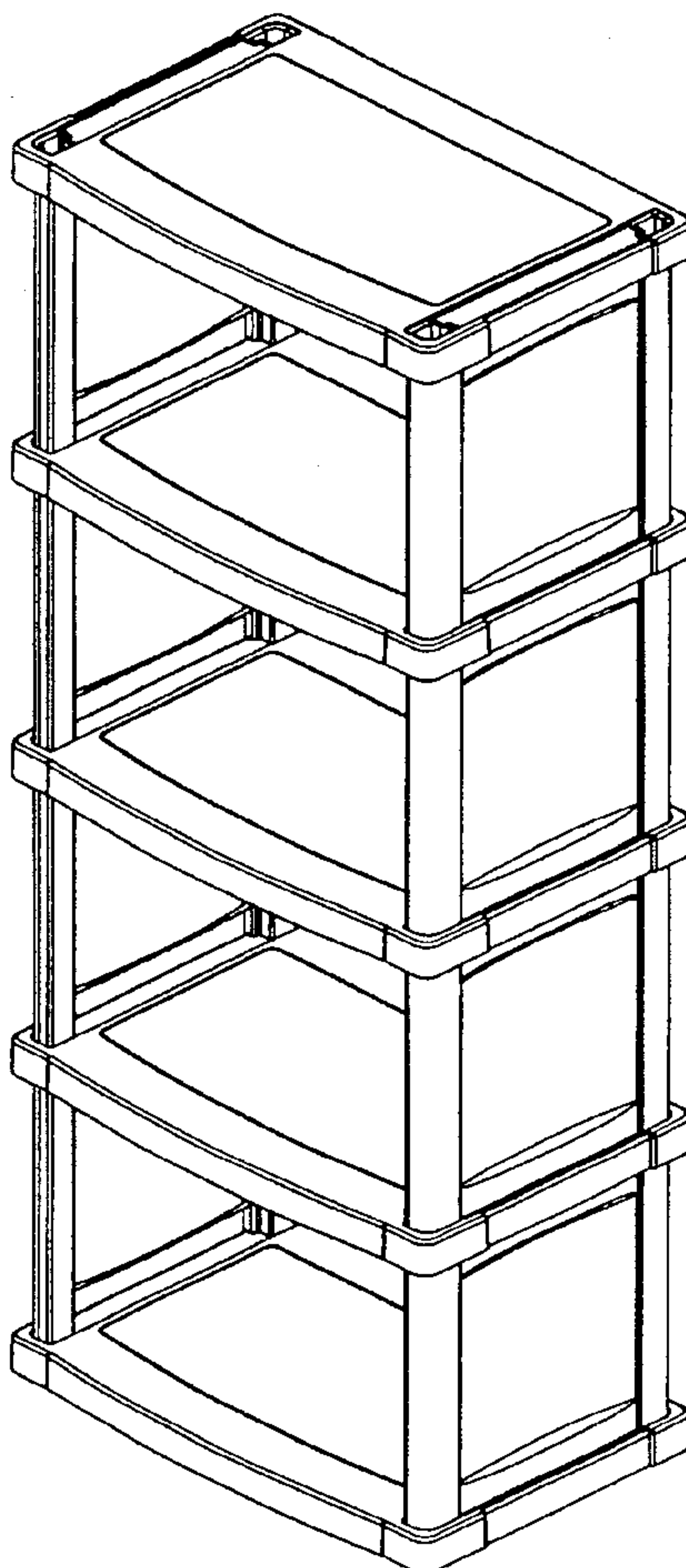
FIG. 1 is a front perspective view of the solid tray stackable shelves with sidewalls of the instant invention; FIG. 2 is a rear perspective view thereof; FIG. 3 is a front plane view thereof; FIG. 4 is a right side elevation view thereof; FIG. 5 is a left side elevation view thereof; FIG. 6 is a rear plane view thereof; FIG. 7 is a top view thereof; and, FIG. 8 is a bottom view thereof.

(56) **References Cited**

U.S. PATENT DOCUMENTS

5,438,938 A * 8/1995 Meeker et al. 108/91
D386,019 S * 11/1997 Grosfillex D6/479

1 Claim, 7 Drawing Sheets



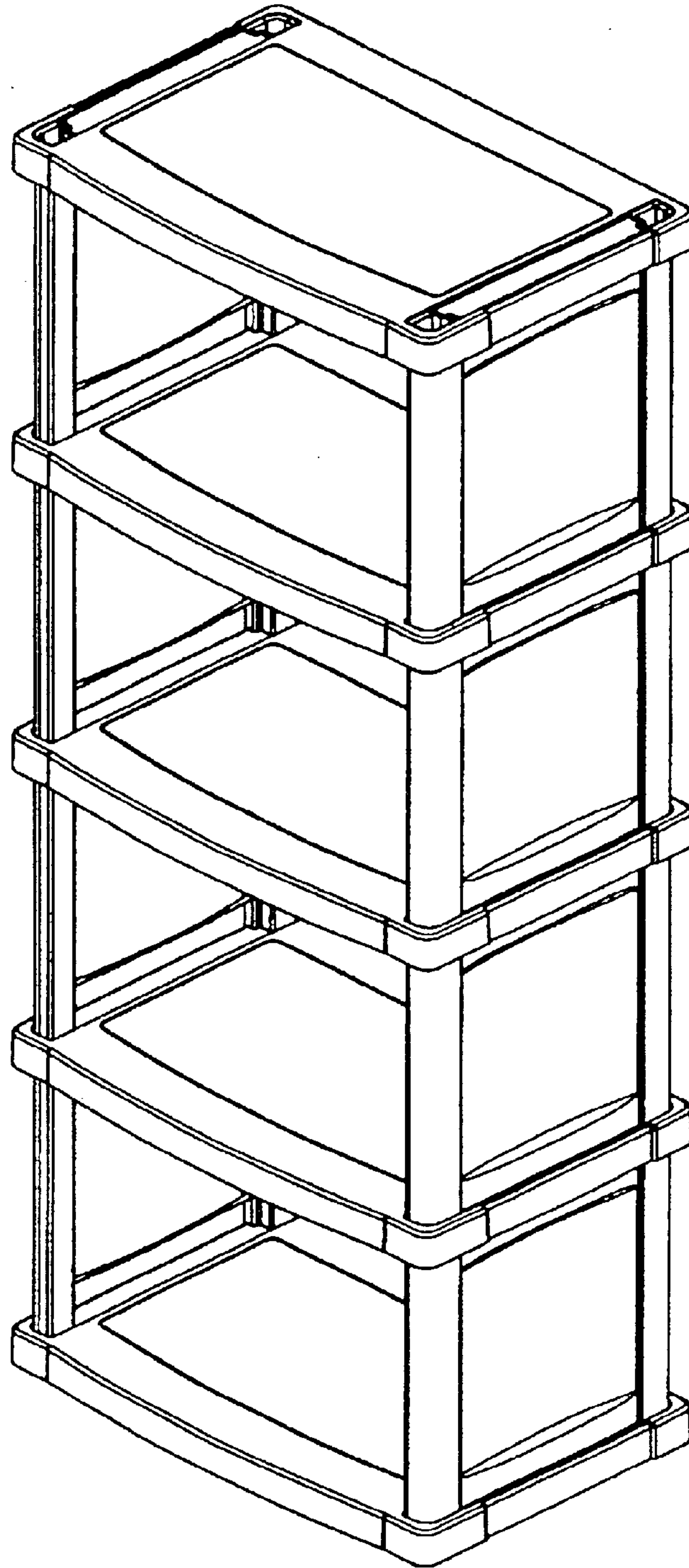


FIGURE 1

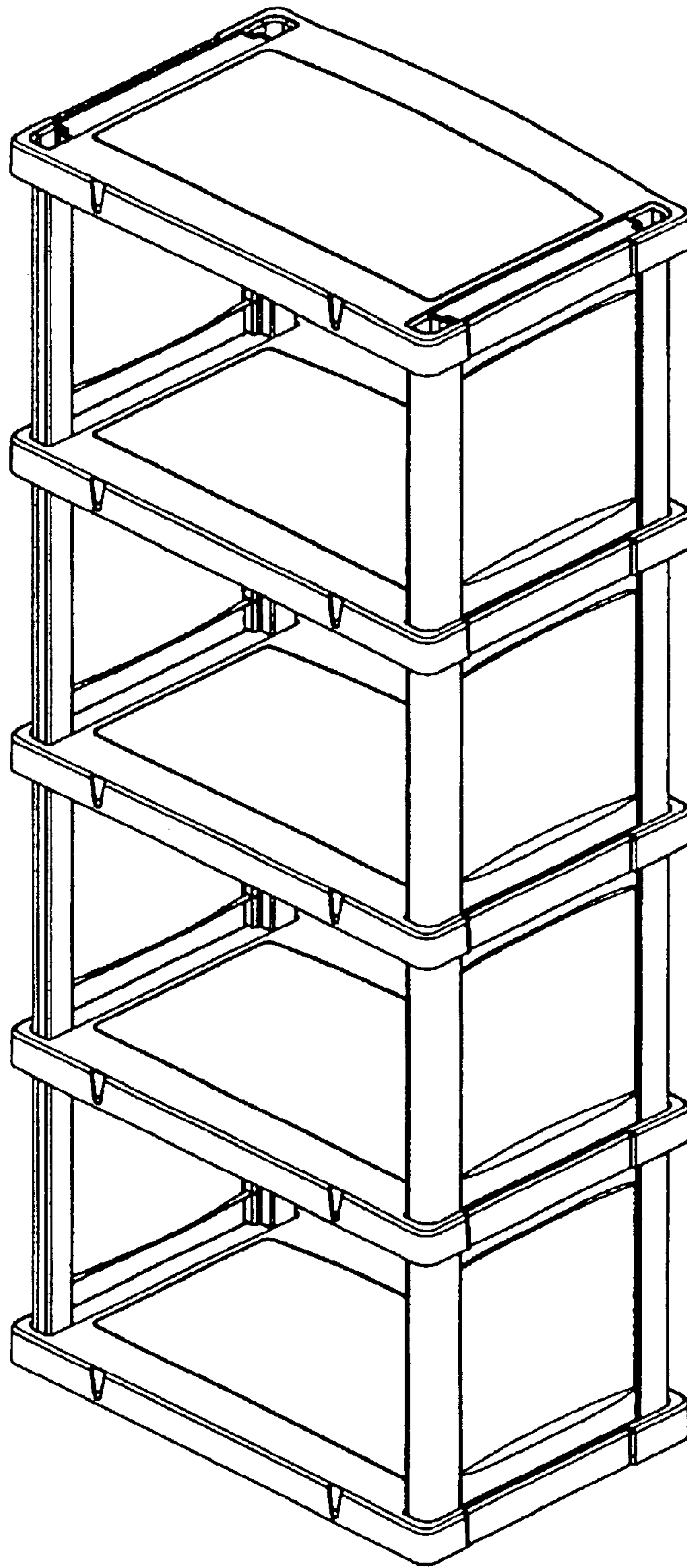


FIGURE 2

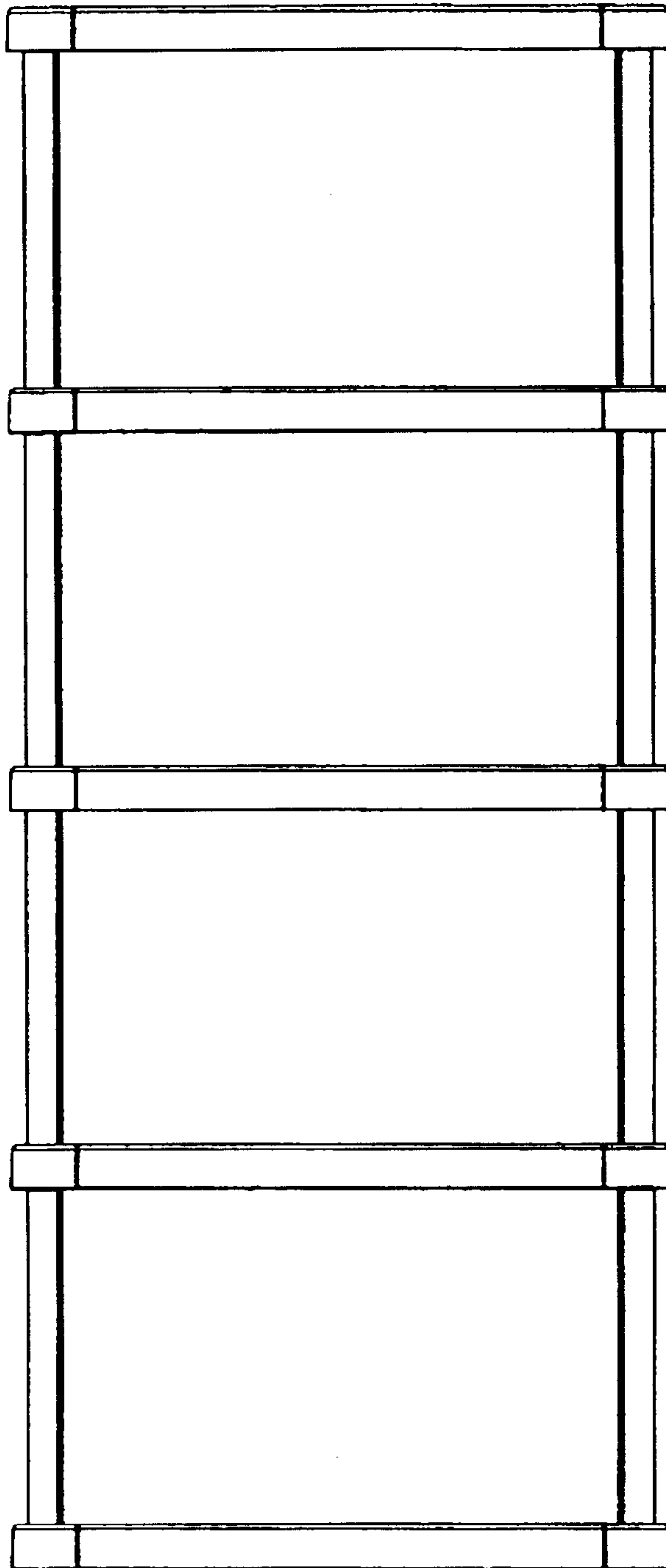


FIGURE 3

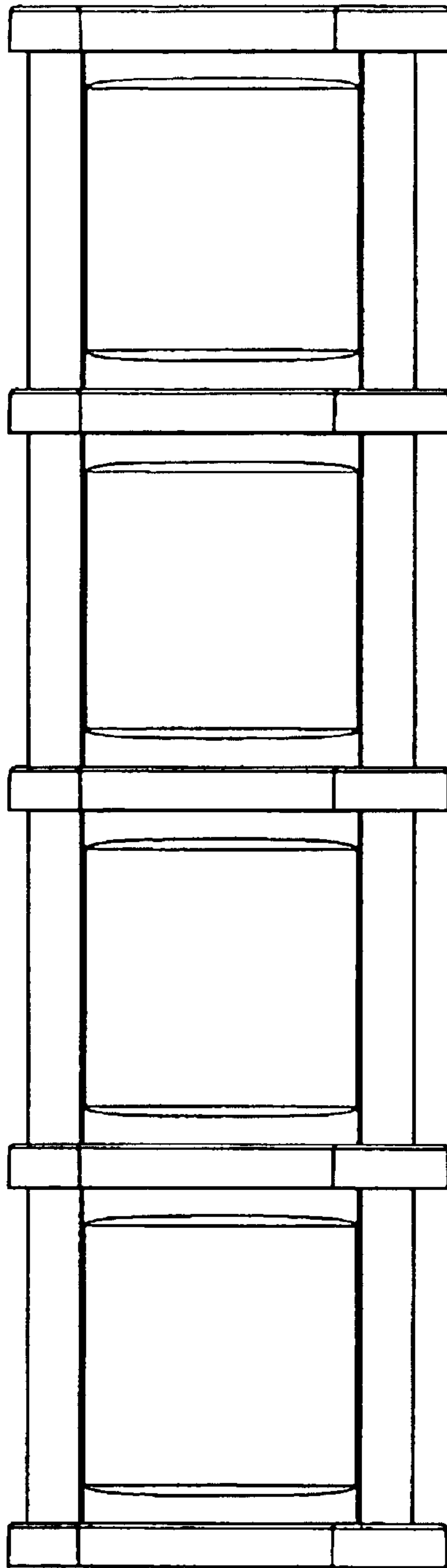


FIGURE 4

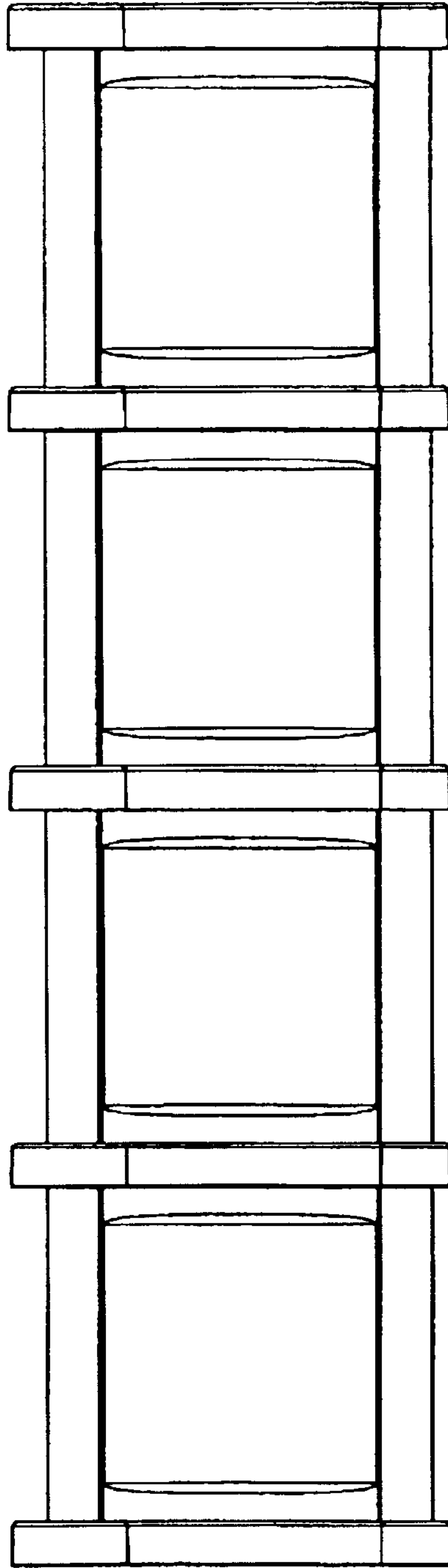


FIGURE 5

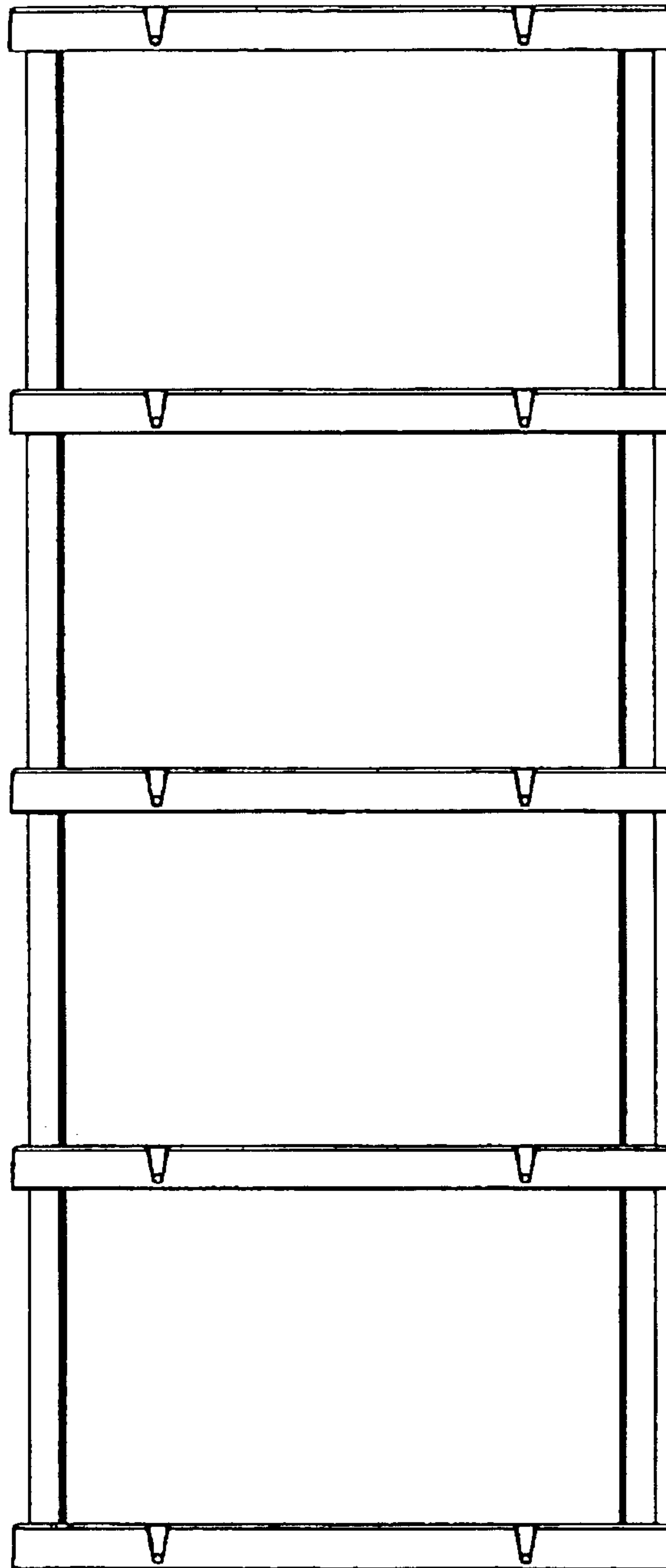


FIGURE 6

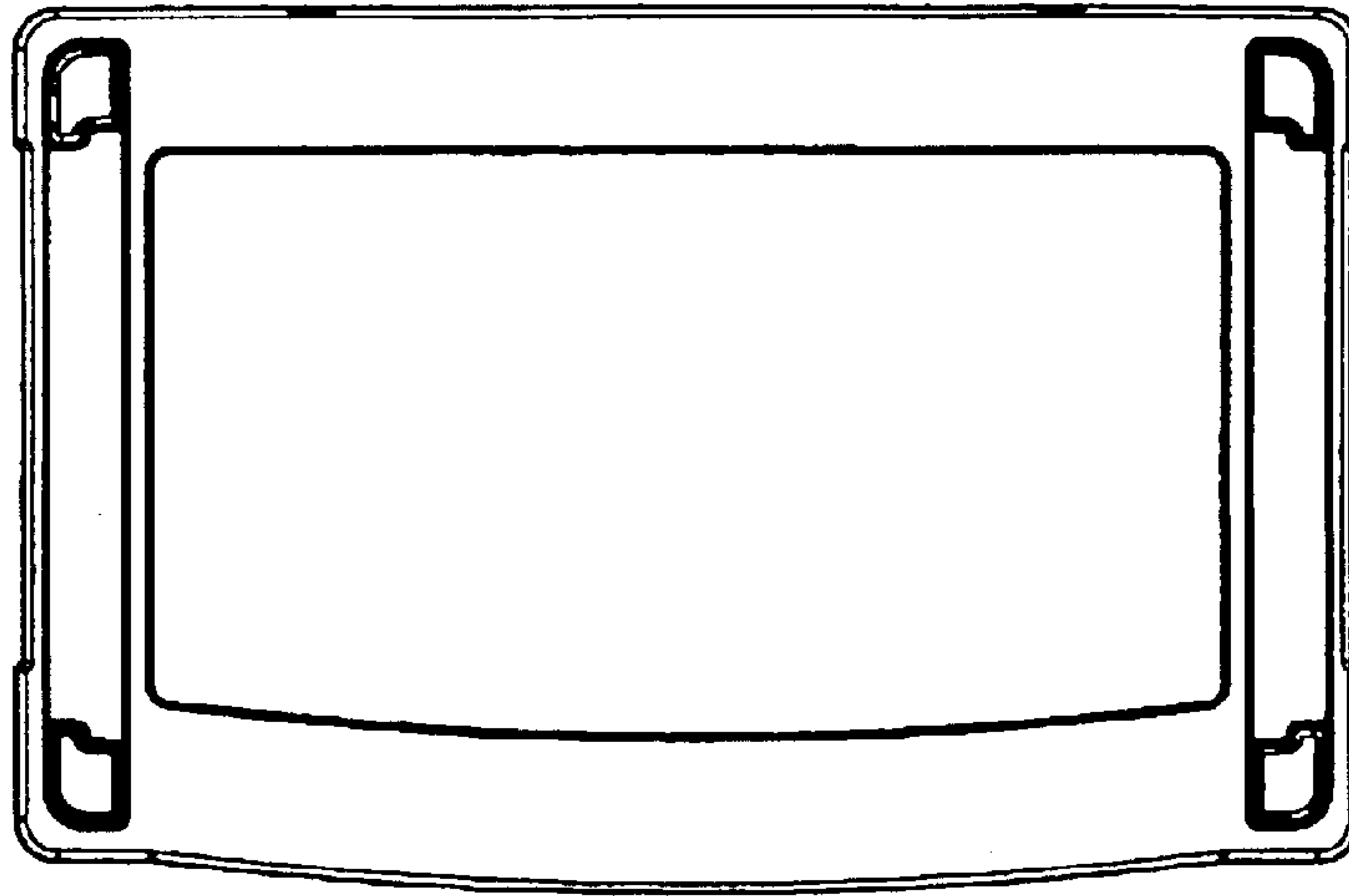


FIGURE 7

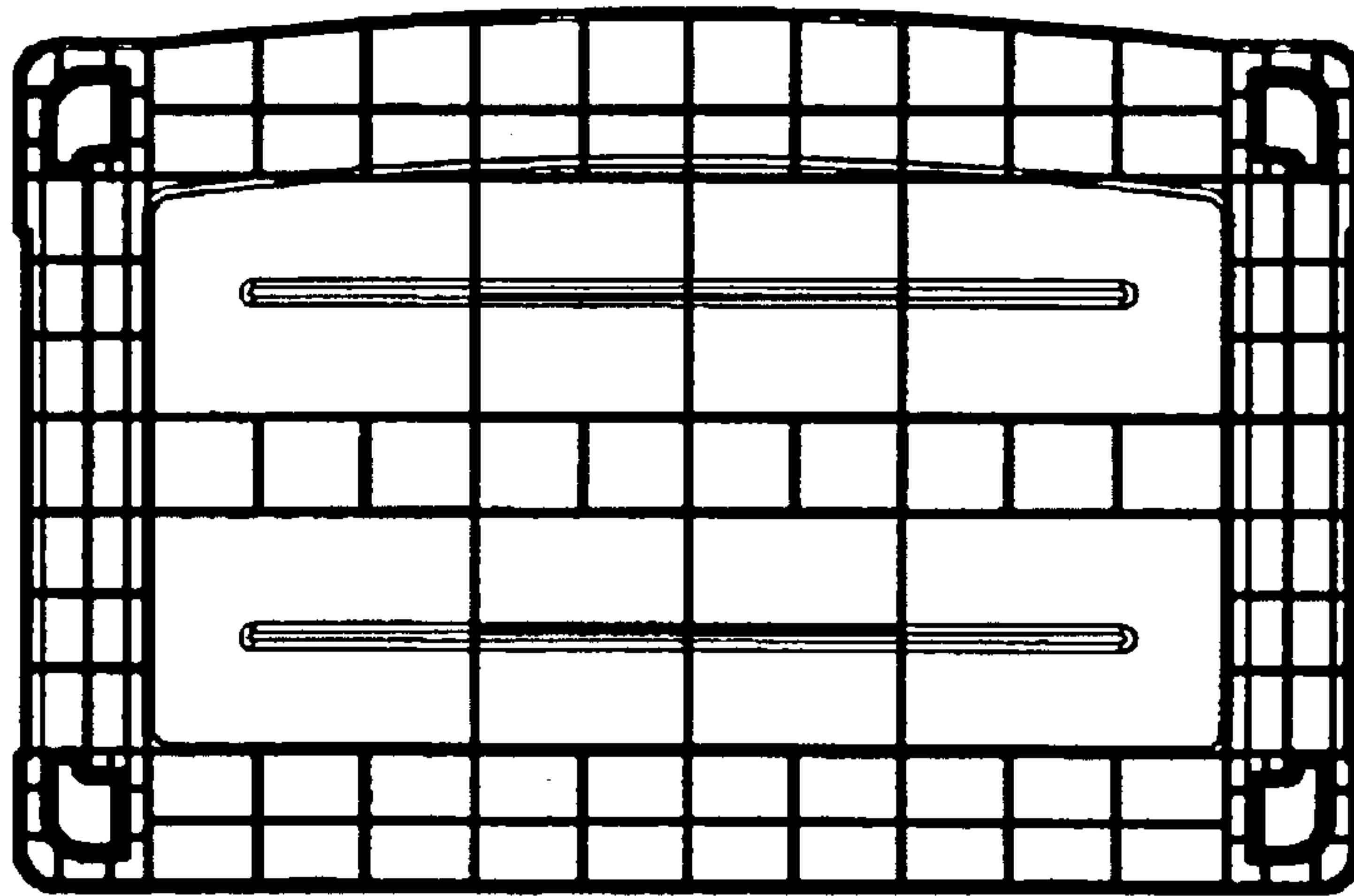


FIGURE 8