



US00D491002S

(12) **United States Design Patent**
Forlenza et al.

(10) **Patent No.:** **US D491,002 S**

(45) **Date of Patent:** **** Jun. 8, 2004**

(54) **STAND**

(75) Inventors: **A. Michael Forlenza**, La Jolla, CA
(US); **Hiroaki Takatsuki**, La Jolla, CA
(US); **Shigetaka Kimura**, La Jolla, CA
(US)

(73) Assignee: **Hitachi Home Electronics (America), Inc.**, Chula Vista, CA (US)

(**) Term: **14 Years**

(21) Appl. No.: **29/177,280**

(22) Filed: **Mar. 4, 2003**

(51) **LOC (7) Cl.** **06-04**

(52) **U.S. Cl.** **D6/477**

(58) **Field of Search** D6/477-479, 474;
108/59, 60, 91, 92, 147.11, 149; 211/153,
186, 188, 194; 312/9.1, 7.2, 223.1

(56) **References Cited**

U.S. PATENT DOCUMENTS

3,830,170 A	8/1974	Faulstich
5,125,725 A	6/1992	Blunt
5,207,405 A	5/1993	Cobb
5,216,211 A	6/1993	Renk, Jr.
5,383,721 A	1/1995	Thomas
5,749,304 A	5/1998	Turner

6,095,476 A	8/2000	Mathis	
6,095,623 A	8/2000	Goto et al.	
D454,731 S	* 3/2002	Niitsu D6/479
D457,507 S	* 5/2002	Lim et al. D14/133
D477,159 S	* 7/2003	Niitsu D6/479
D478,746 S	* 8/2003	Sumii D6/477
2002/0063227 A1	5/2002	Matsuura et al.	
2002/0146139 A1	10/2002	Oplinger	
2003/0063227 A1	4/2003	Whitelaw	

* cited by examiner

Primary Examiner—Cathron Brooks

(74) *Attorney, Agent, or Firm*—Knobbe, Martens, Olson & Bear, LLP

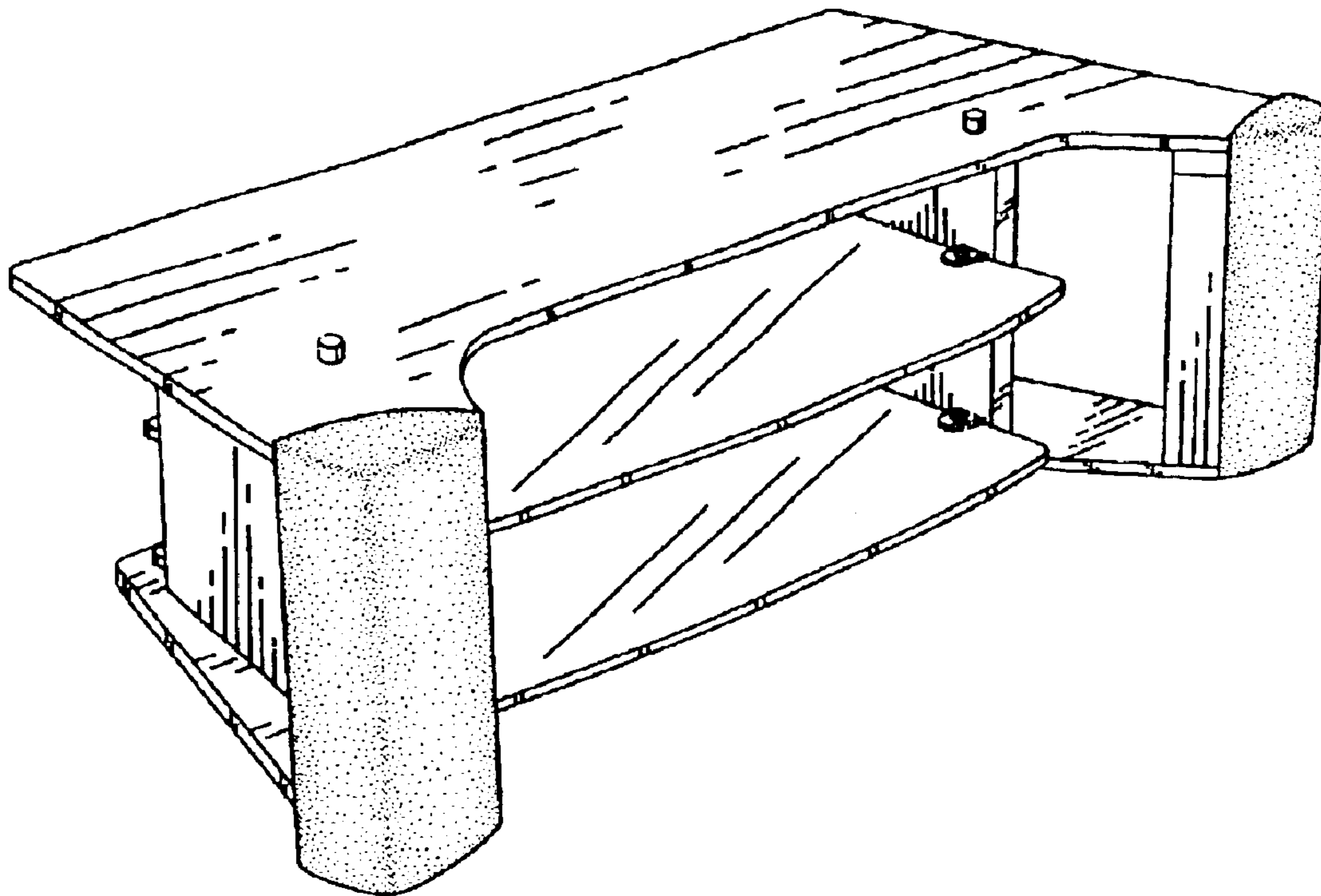
(57) **CLAIM**

The ornamental design for a stand, as shown and described.

DESCRIPTION

FIG. 1 is a perspective view of a stand;
FIG. 2 is a front elevational view thereof;
FIG. 3 is a rear elevational view thereof;
FIG. 4 is a right side elevational view thereof;
FIG. 5 is a left side elevational view thereof;
FIG. 6 is a top plan view thereof; and,
FIG. 7 is a bottom plan view thereof.
The broken lines are shown for illustrative purposes only and form no part of the claimed invention.

1 Claim, 4 Drawing Sheets



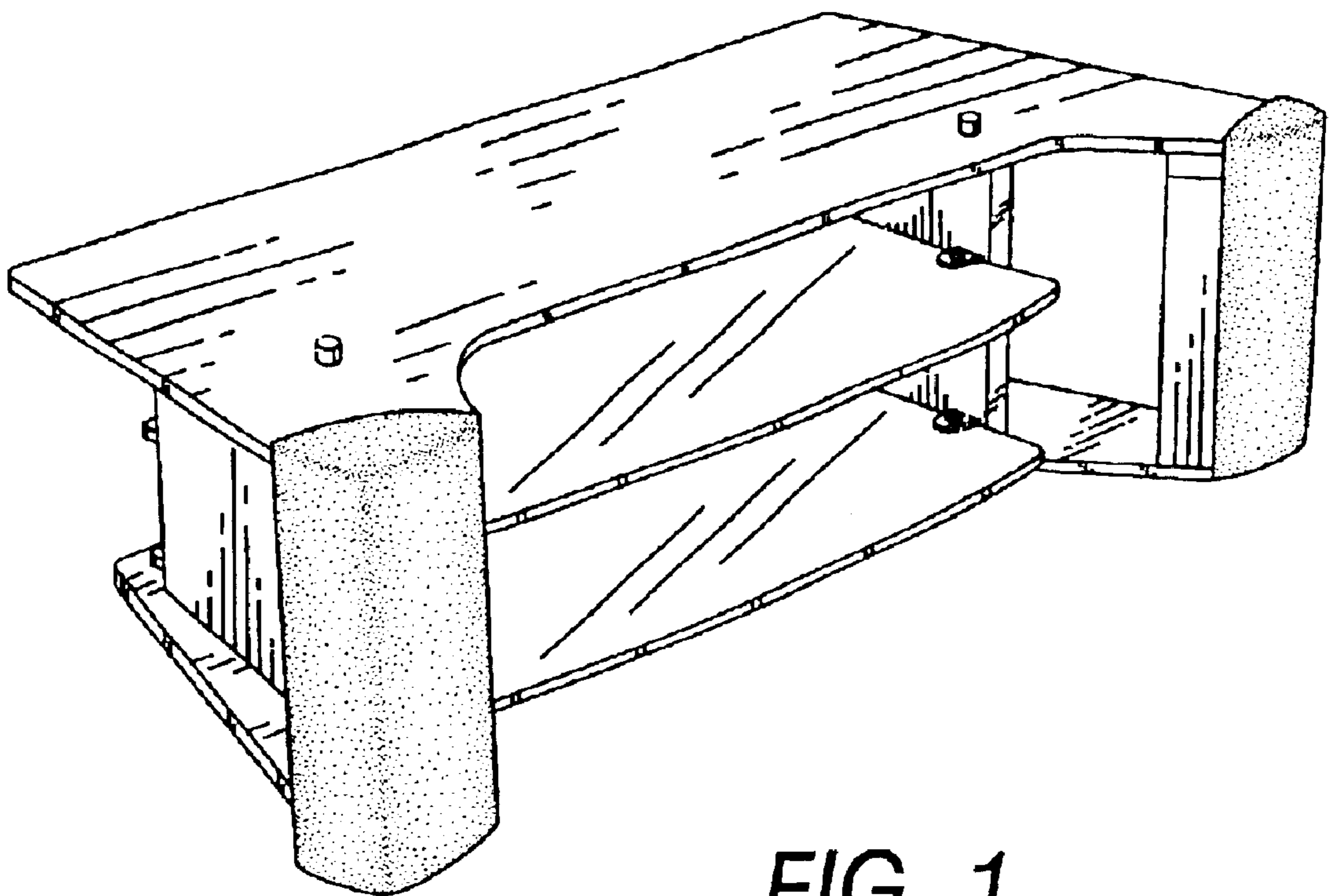


FIG. 1

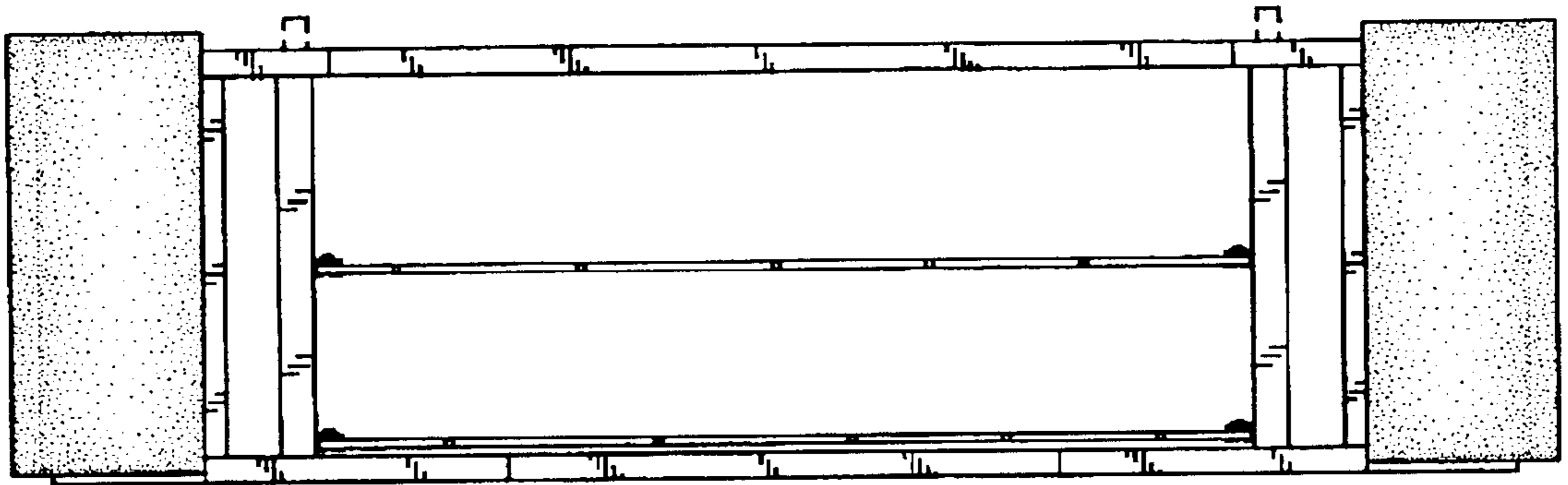


FIG. 2

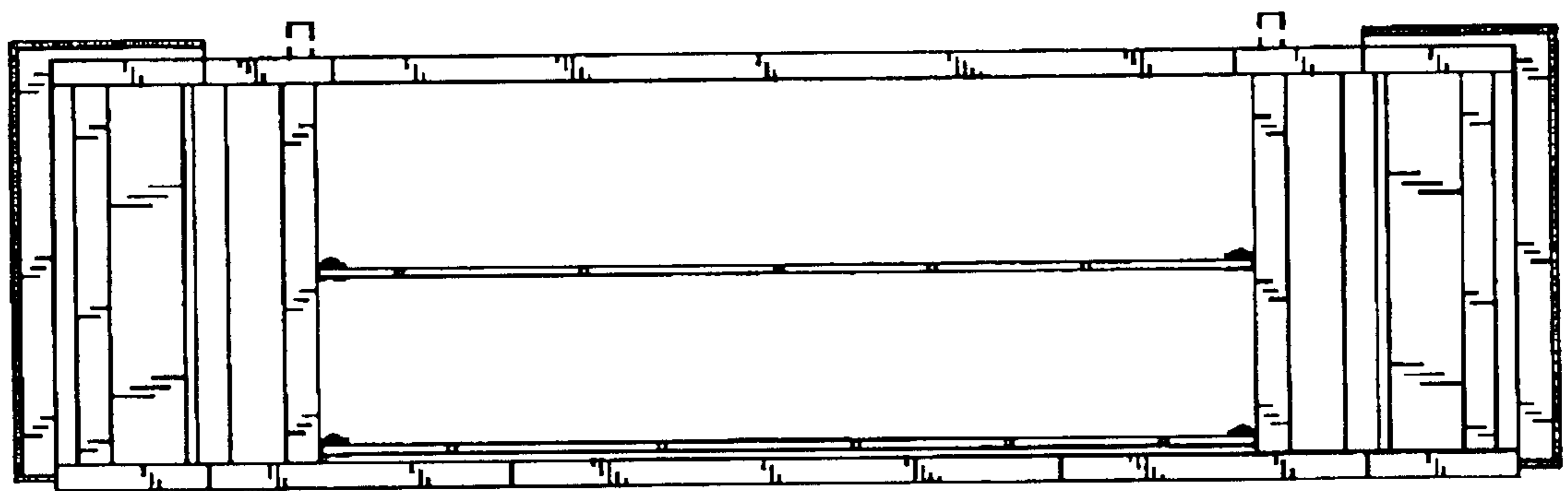


FIG. 3

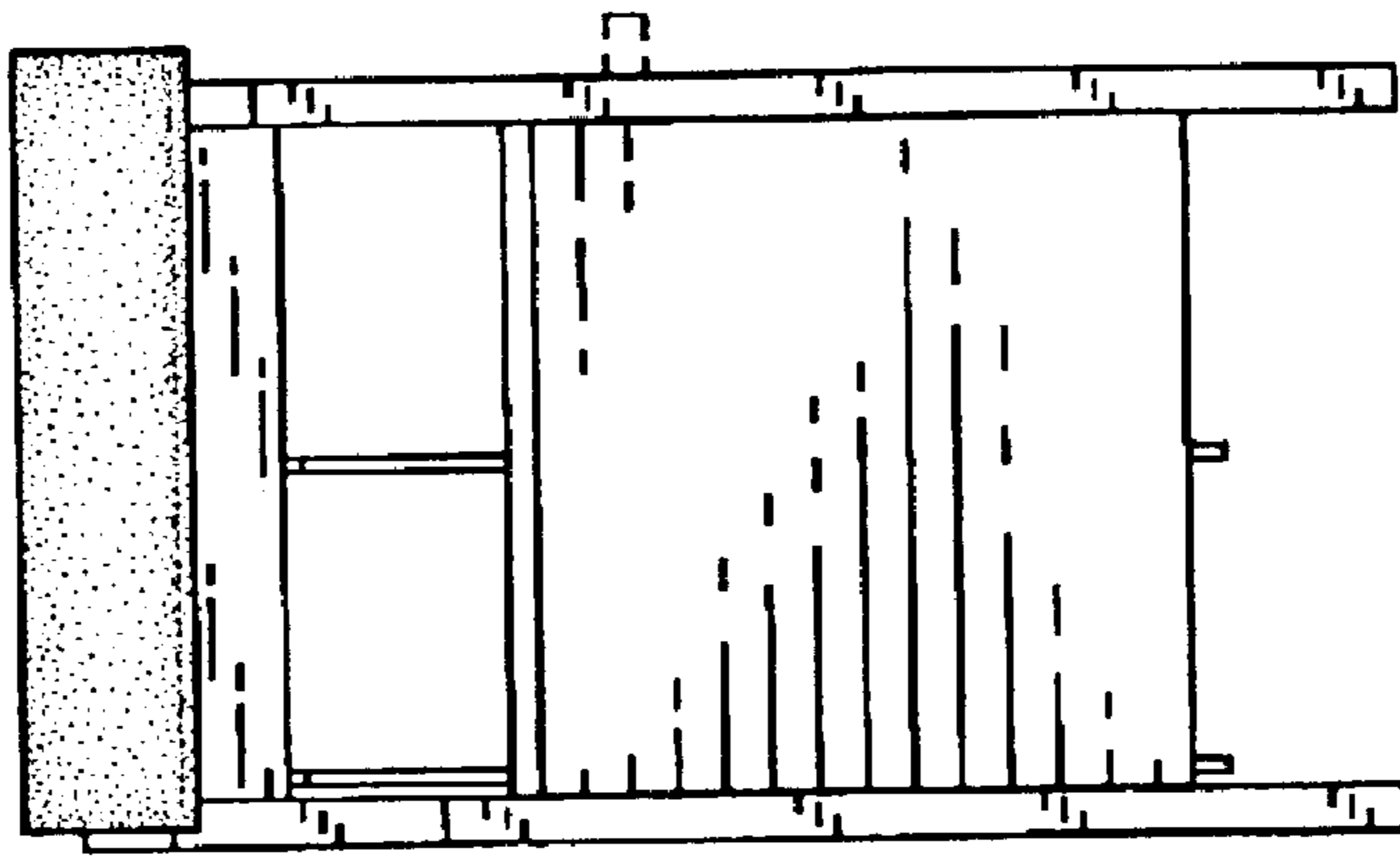


FIG. 4

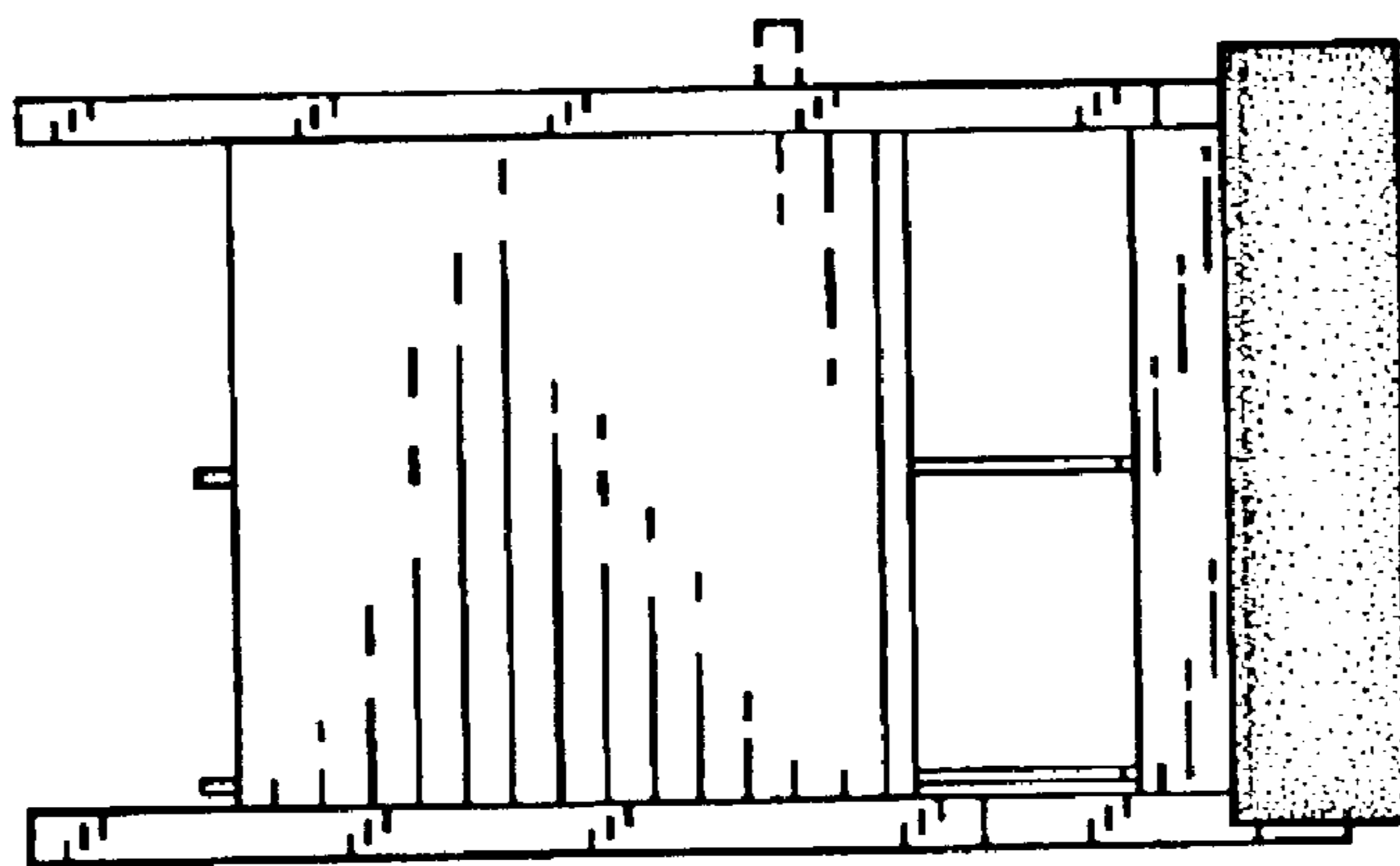


FIG. 5

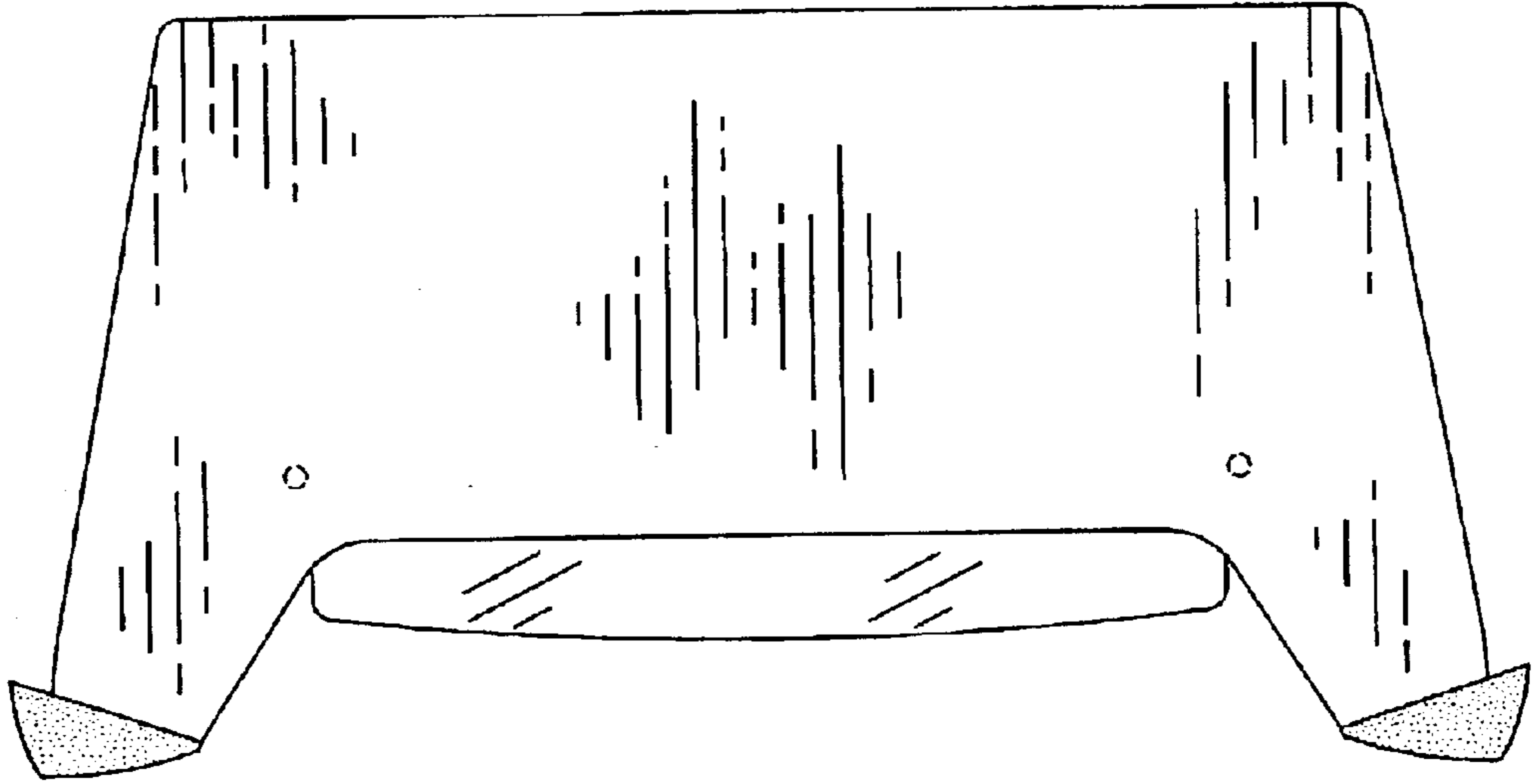


FIG. 6

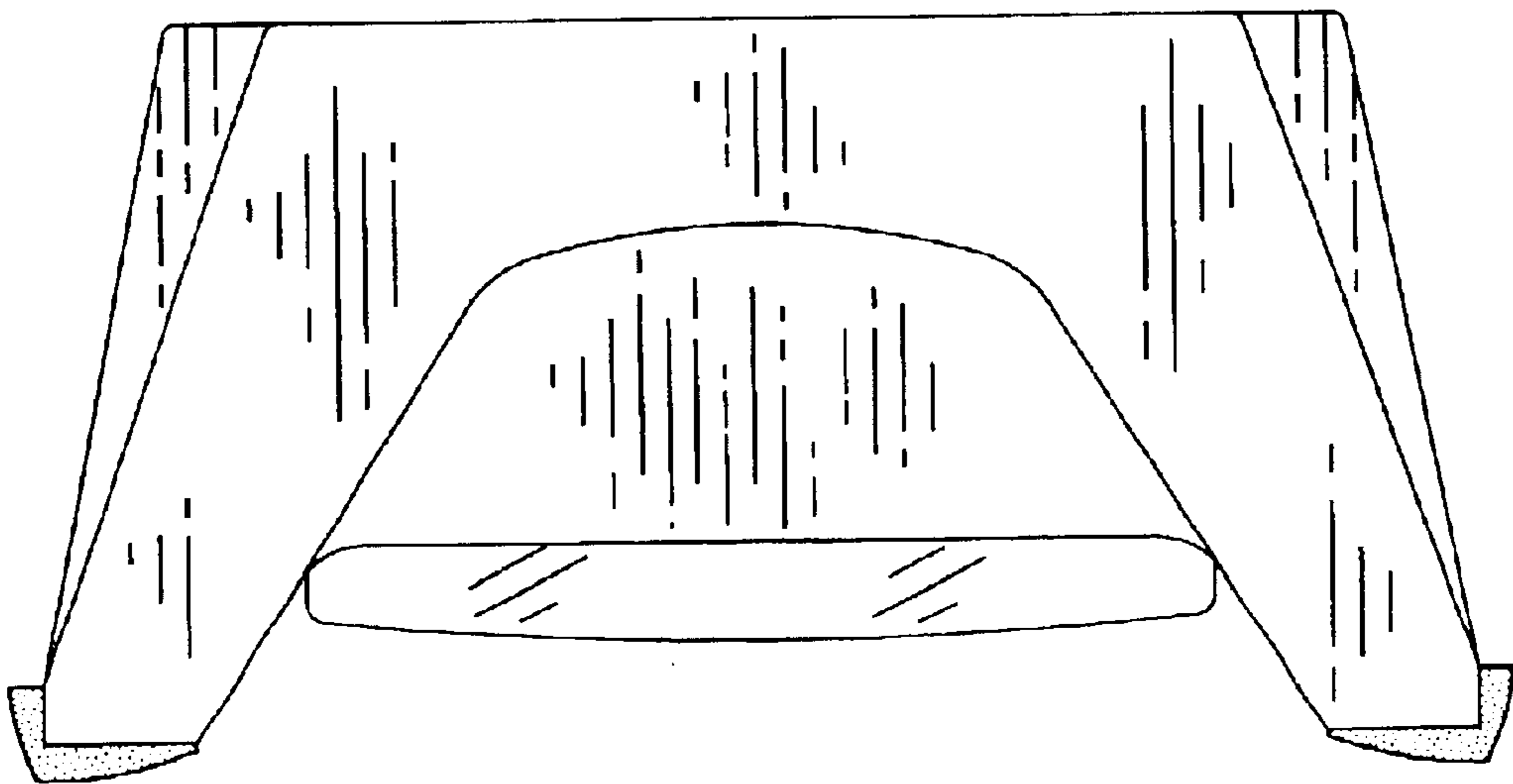


FIG. 7