



US00D491001S

(12) **United States Design Patent**  
**Adams et al.**

(10) **Patent No.:** **US D491,001 S**

(45) **Date of Patent:** **\*\* Jun. 8, 2004**

(54) **BOOK STAND**

(76) Inventors: **Charles L. Adams**, P.O. Box 100909,  
Fort Worth, TX (US) 76185; **Beverly A. Adams**, P.O. Box 100909, Fort Worth,  
TX (US) 76185

(\*\*) Term: **14 Years**

(21) Appl. No.: **29/189,647**

(22) Filed: **Sep. 9, 2003**

(51) **LOC (7) Cl.** ..... **06-03**

(52) **U.S. Cl.** ..... **D6/419**

(58) **Field of Search** ..... D6/419, 499, 300-303,  
D6/308-314; 248/441.1, 442, 444.1, 446,  
451, 452, 460

(56) **References Cited**

**U.S. PATENT DOCUMENTS**

3,476,348 A	11/1969	Rustad	248/445
3,796,169 A *	3/1974	Bales et al.	108/116
4,119,289 A	10/1978	Kanocz	248/454
4,313,589 A *	2/1982	Vega	248/558

D264,412 S	*	5/1982	Vega	D6/310
D398,458 S	*	9/1998	Martell	D6/420
D410,910 S	*	6/1999	Martell	D14/457
5,971,343 A		10/1999	Marlak	248/441

\* cited by examiner

*Primary Examiner*—Janice Seeger

(74) *Attorney, Agent, or Firm*—Charles D. Gunter, Jr.

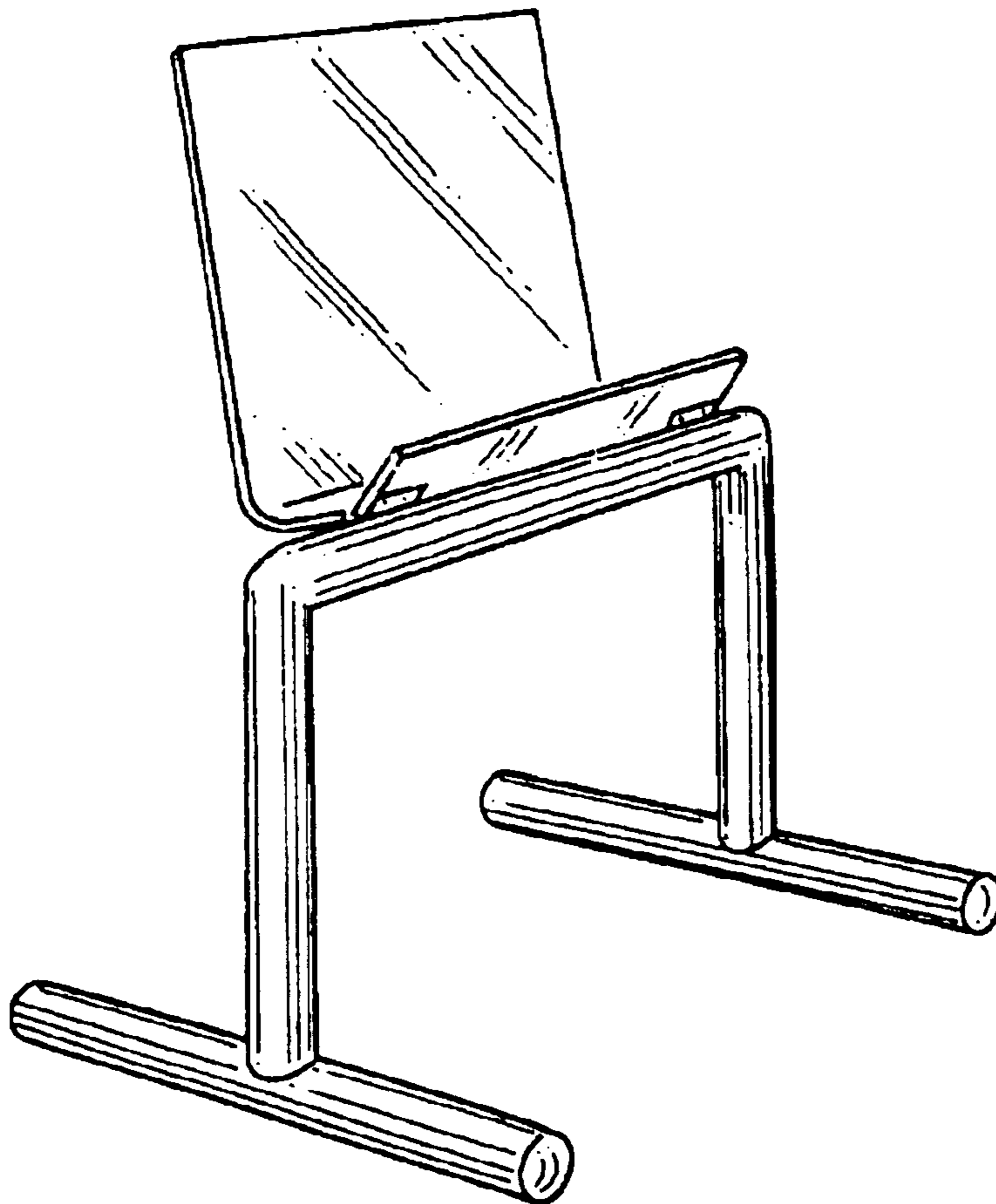
(57) **CLAIM**

The ornamental design for a book stand, as shown and described.

**DESCRIPTION**

FIG. 1 is a front, perspective view of the book stand of the invention;  
FIG. 2 is a left side view of the book stand of FIG. 1;  
FIG. 3 is a right side view of the window insert of FIG. 1;  
FIG. 4 is a top view of the book stand of FIG. 1;  
FIG. 5 is a bottom view of the book stand of FIG. 1;  
FIG. 6 is a front view of the book stand of the invention; and,  
FIG. 7 is a back view of the book stand of the invention.

**1 Claim, 2 Drawing Sheets**



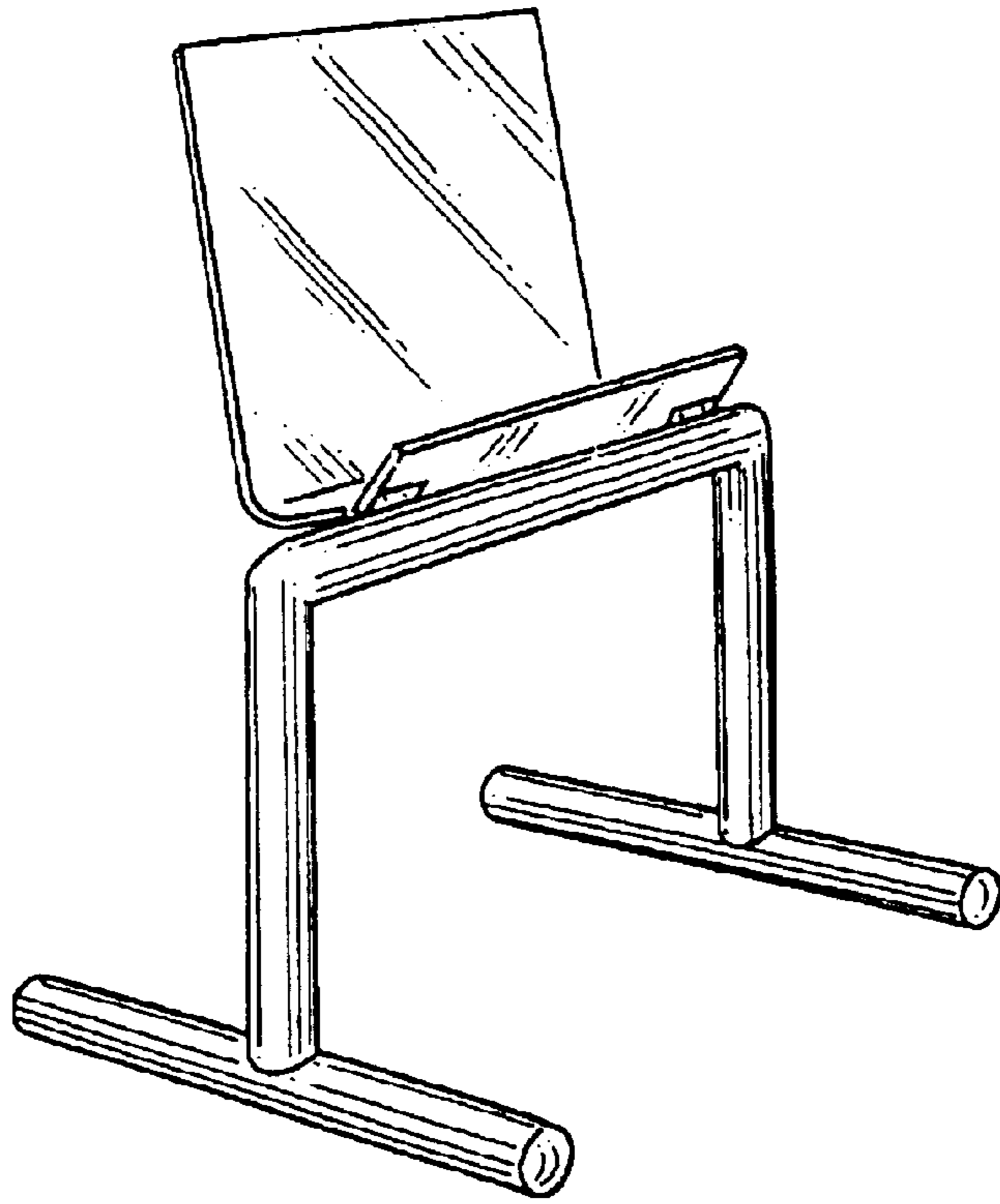


Fig. 1

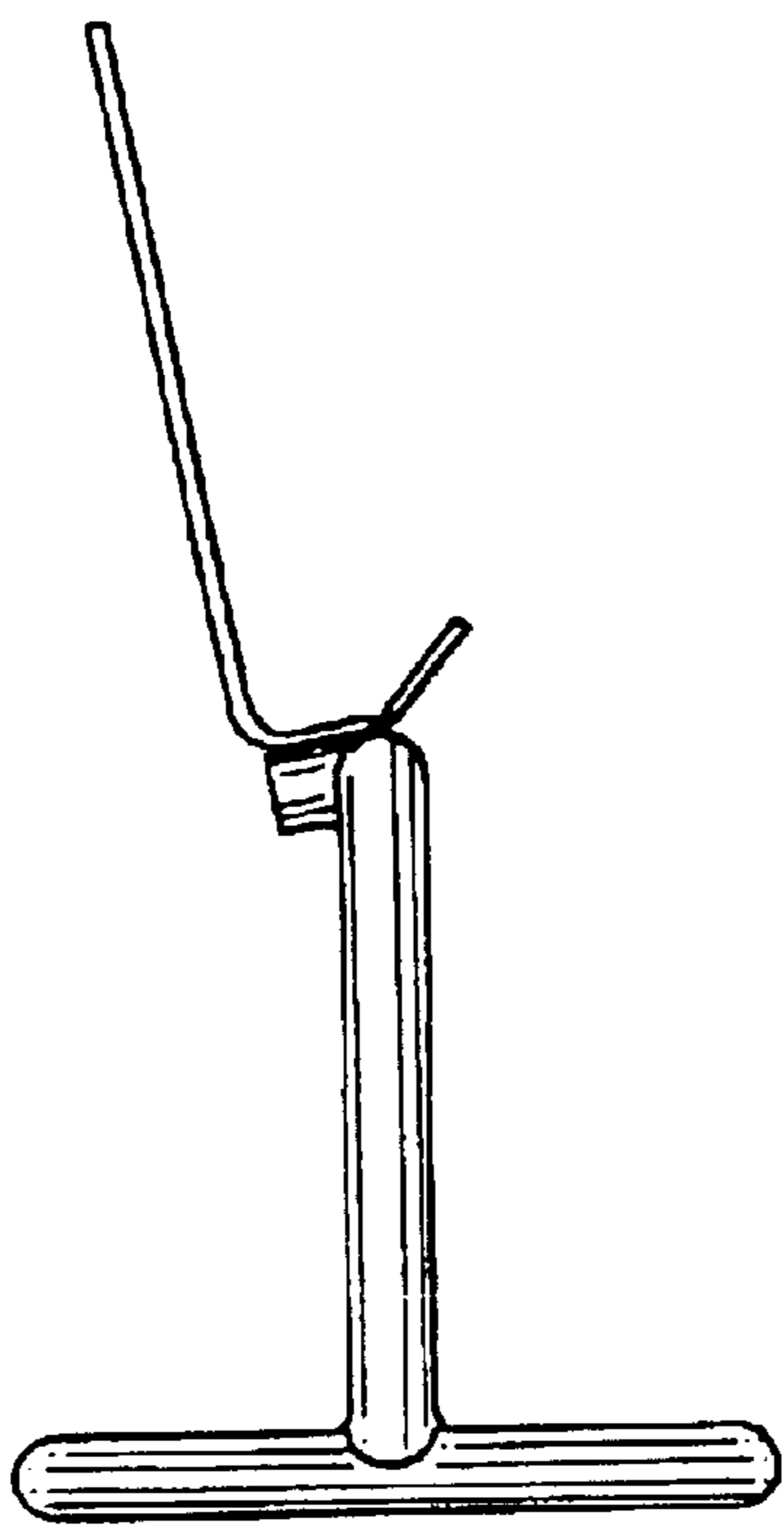


Fig. 2

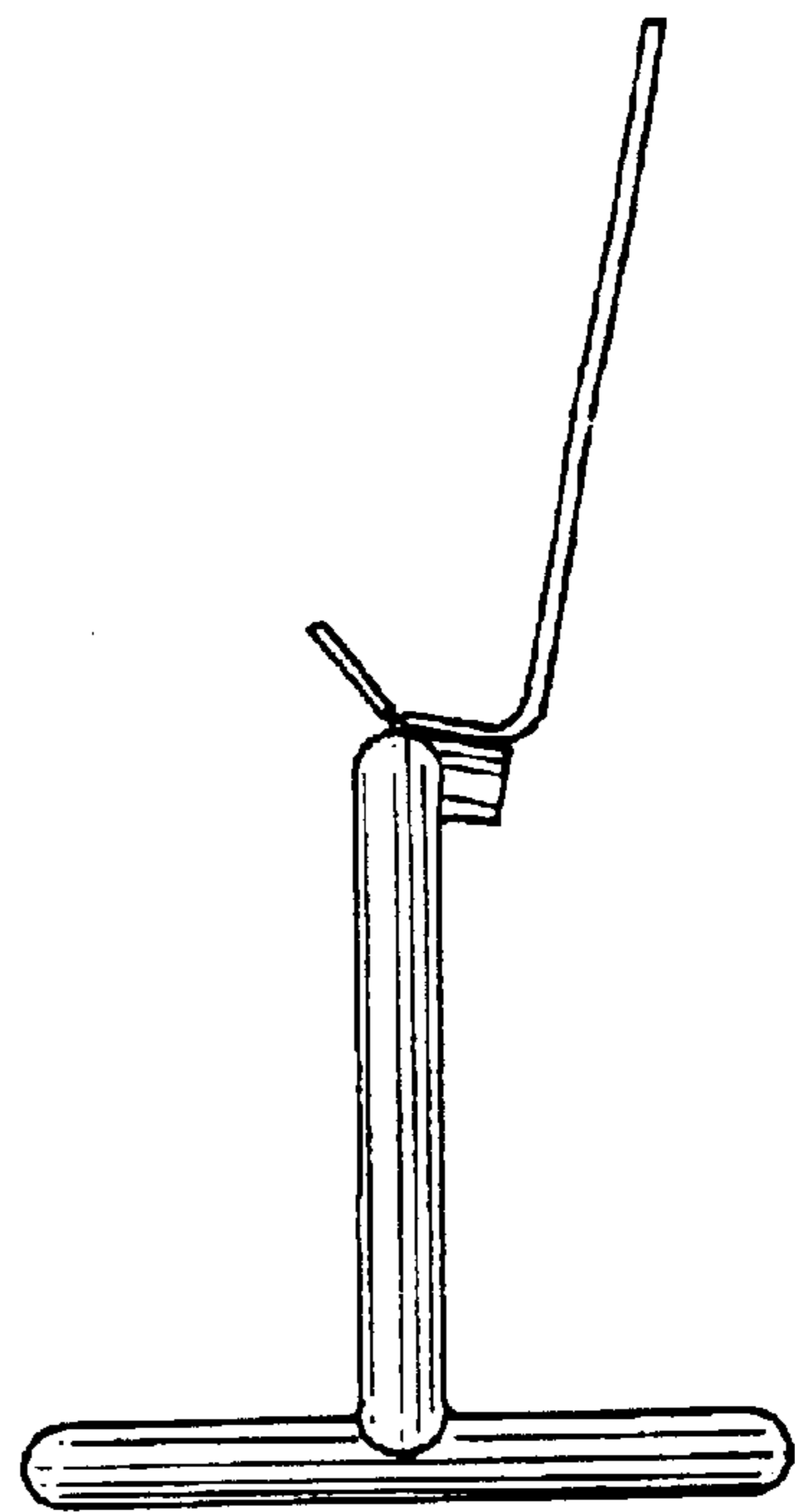


Fig. 3

Fig. 4

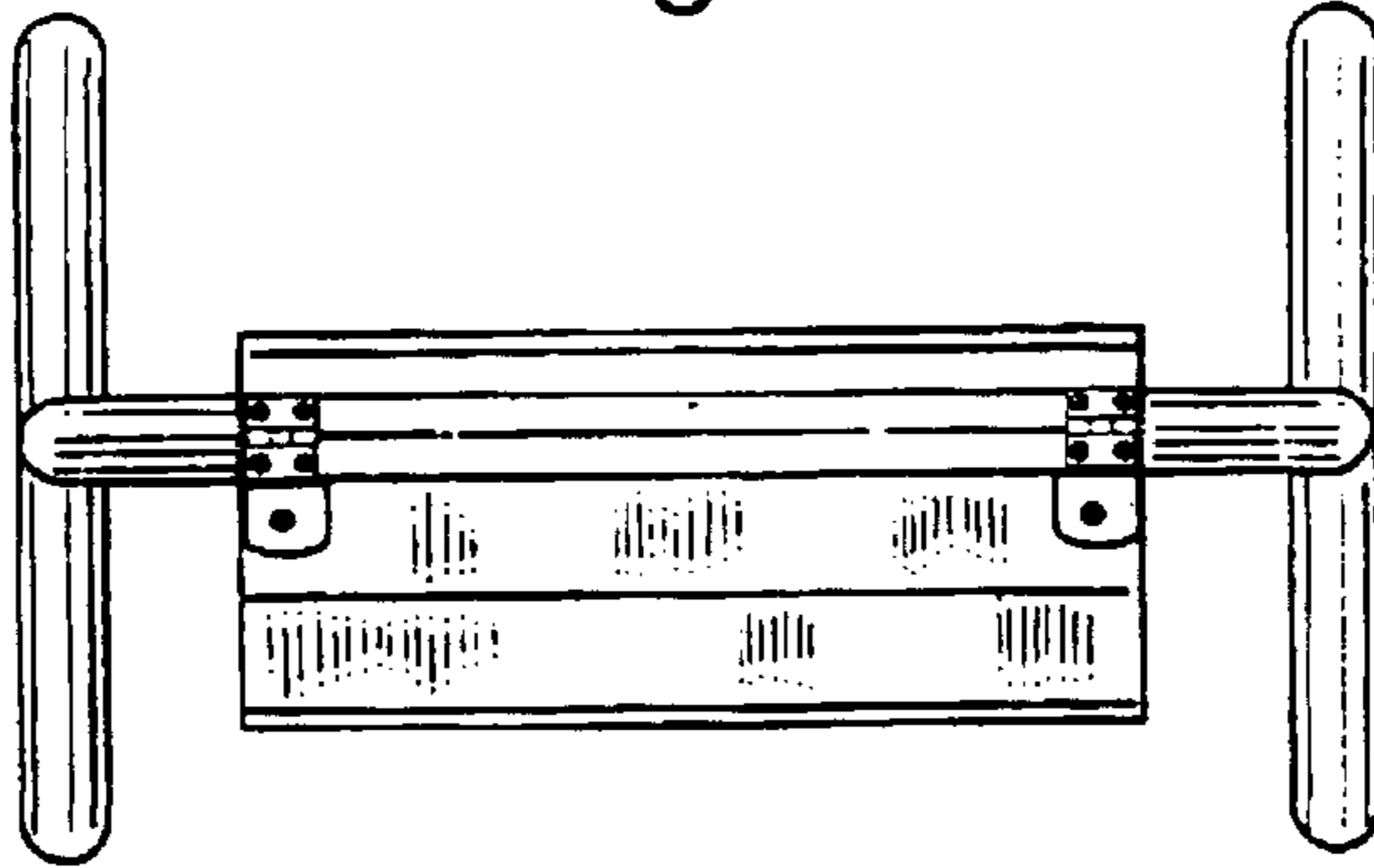


Fig. 5

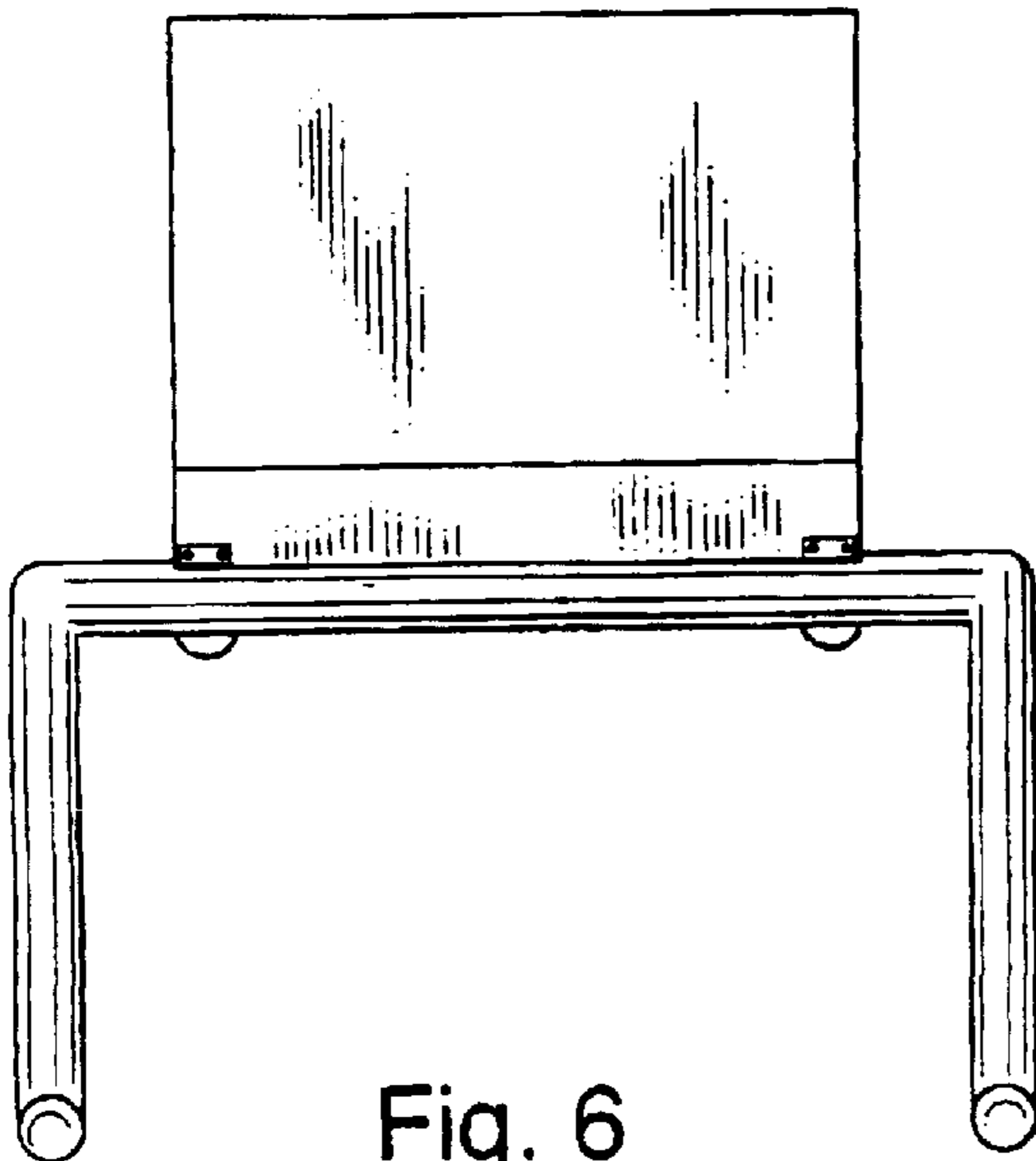
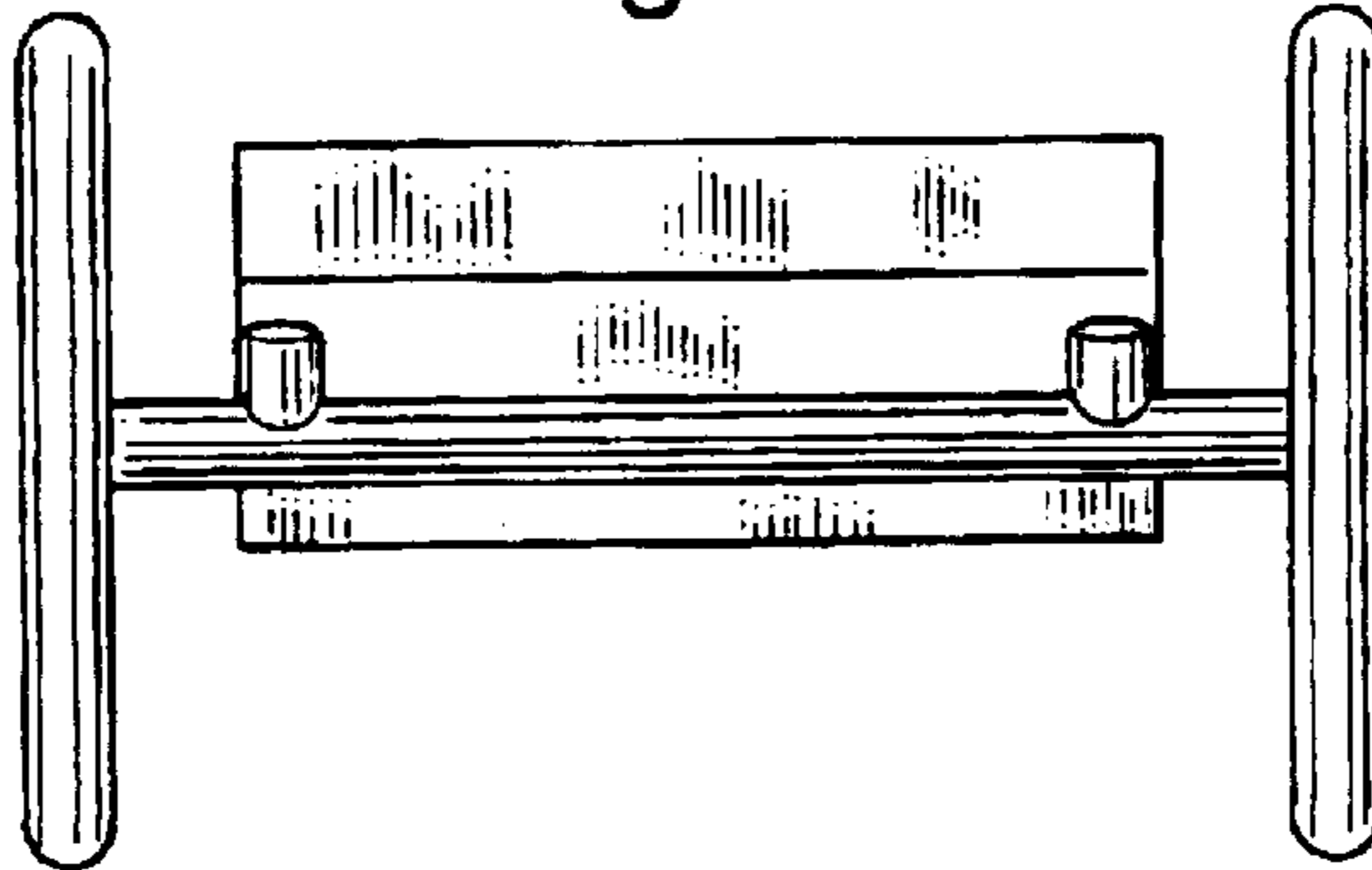


Fig. 6

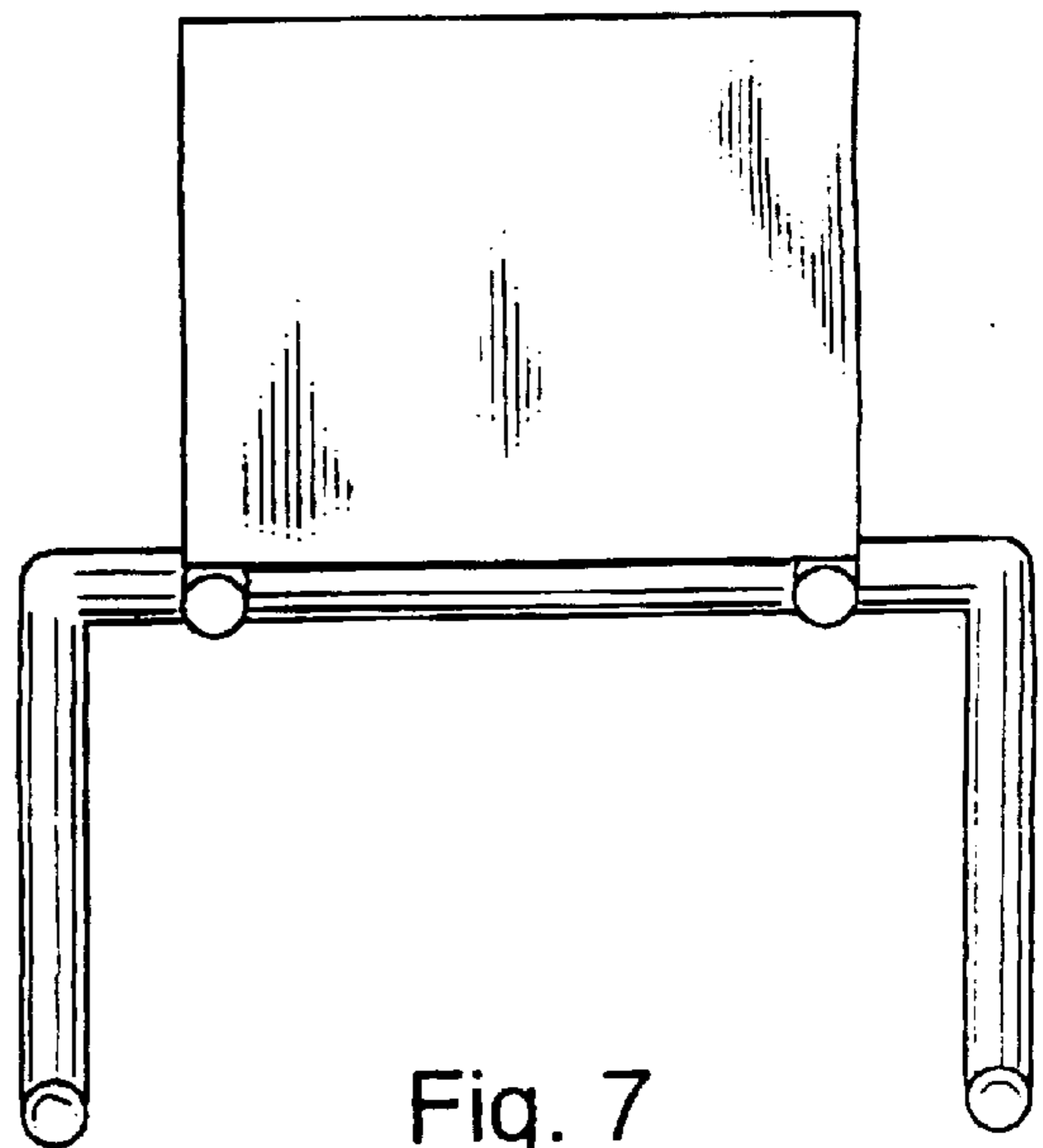


Fig. 7