



US00D490994S

(12) **United States Design Patent** (10) **Patent No.:** **US D490,994 S**  
**Schmitz et al.** (45) **Date of Patent:** **\*\* Jun. 8, 2004**

(54) **TASK CHAIR**

(75) Inventors: **Johann Burkhard Schmitz**, Berlin (DE); **Claudia Plikat**, Berlin (DE); **Nicolai Neubert**, Berlin (DE); **Carola E. M. Zwick**, Berlin (DE); **Roland R. O. Zwick**, Berlin (DE)

(73) Assignee: **Herman Miller, Inc.**, Zeeland, MI (US)

(\*\*) Term: **14 Years**

(21) Appl. No.: **29/169,159**

(22) Filed: **Oct. 15, 2002**

(51) **LOC (7) Cl.** ..... **06-01**

(52) **U.S. Cl.** ..... **D6/366**

(58) **Field of Search** ..... D6/334, 335, 364, D6/365, 366, 367, 500, 501, 502; 297/411.2, 411.27, 411.36, 452.46

(56) **References Cited**

**U.S. PATENT DOCUMENTS**

D201,355 S	6/1965	Cavalli
D273,728 S	5/1984	Cafiero
4,556,254 A	12/1985	Roberts
4,722,569 A	2/1988	Morgenstern et al.
4,915,448 A	4/1990	Morgenstern et al.
D346,279 S	4/1994	Stumpf et al.
D355,534 S	2/1995	Saotome
5,486,035 A	1/1996	Koepke et al.

(List continued on next page.)

**FOREIGN PATENT DOCUMENTS**

WO	WO 93/25121	12/1993
WO	WO 00/22961	4/2000

**OTHER PUBLICATIONS**

Copy of patent application Ser. No. 29/155,591 for "Task Chair" by Schmitz et al., filed Feb. 13, 2002.

Copy of patent application Ser. No. 29/169,151 for "Back for a Seating Structure" by Schmitz et al., filed Oct. 15, 2002.

Copy of patent application Ser. 29/155,590 for "Back for a Seating Structure" by Schmitz et al., filed Feb. 13, 2002.  
Digital image of "Ypsilon" by Vitra, date unknown.  
Digital image of "Project 2000" by Sitag, date unknown.  
Digital image of "Fluid" by allseating, date unknown.  
Digital image of "HAG H05" by HAG, date unknown.  
Digital image of "Konca" by Kastel, date unknown.  
Digital image of "Vigor"/Topdeq, date unknown.  
Digital image of "NetWeb"/Topdeq, date unknown.  
Digital image of "Lucy" by Vecta, date unknown.  
Digital image of "Open up"/Cairo, date unknown.  
Digital image of "IB Office" Seating by Bieffe, date unknown.  
Digital image of "Freedom" by Humanscale, date unknown.  
Digital image of "Cordo" by Klöber, date unknown.  
Copy of Digital images of "Please" by Steelcase, date unknown.  
"X99 Haworth®" brochure, date unknown.  
"Ypsilon vitra." brochure, date unknown.  
Izzydesign "Maxwell" brochure, date unknown.

*Primary Examiner*—Gary D. Watson  
(74) *Attorney, Agent, or Firm*—Brinks Hofer Gilson & Lione

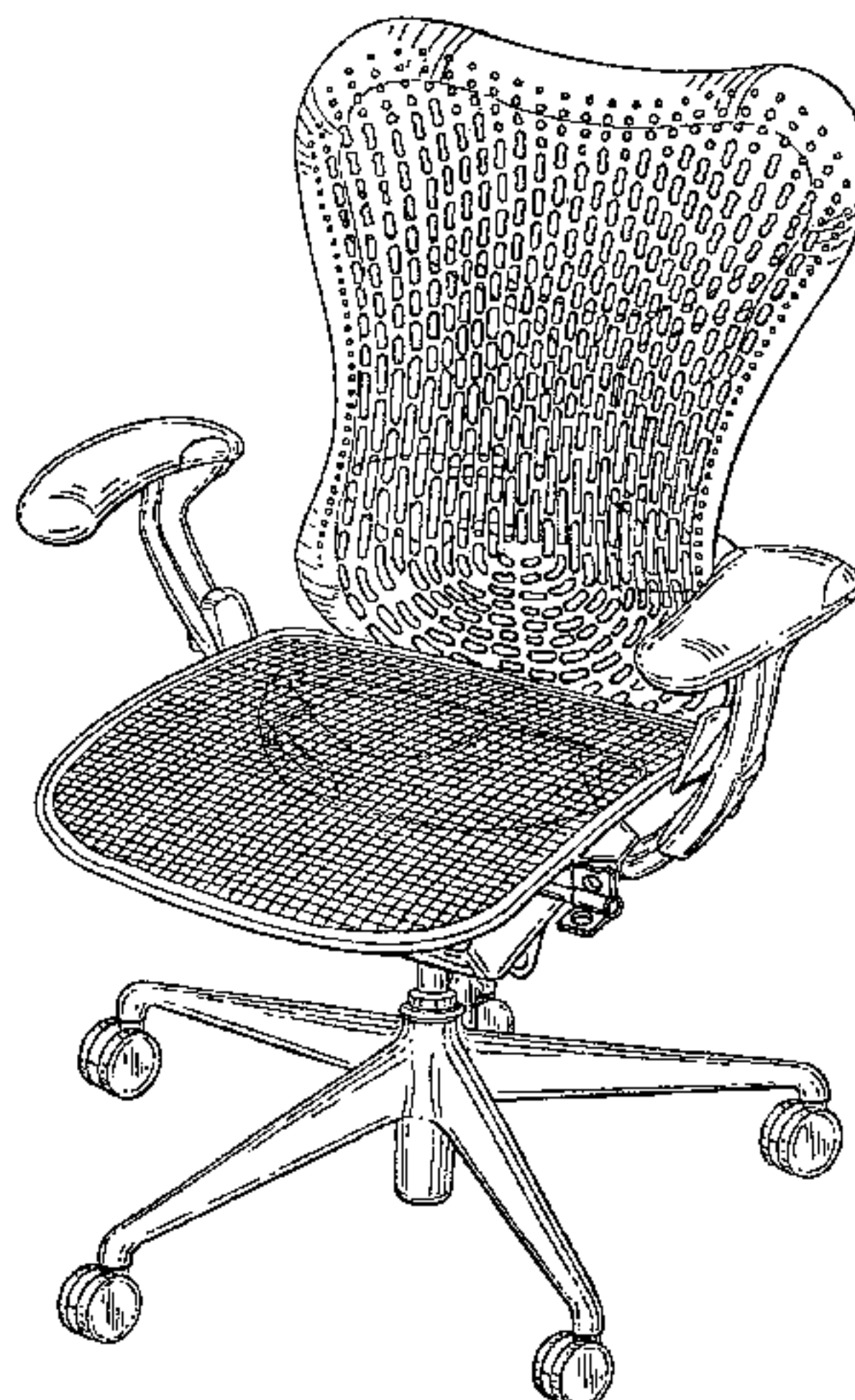
(57) **CLAIM**

The ornamental design for a task chair, as shown and described.

**DESCRIPTION**

FIG. 1 is a perspective view of a task chair;  
FIG. 2 is a right side view of the task chair shown in FIG. 1;  
FIG. 3 is a front view of the task chair shown in FIG. 1;  
FIG. 4 is a left side view of the task chair shown in FIG. 1;  
FIG. 5 is a rear view of the task chair shown in FIG. 1;  
FIG. 6 is a top view of the task chair shown in FIG. 1; and  
FIG. 7 is a bottom view of the task chair shown in FIG. 1.  
The broken lines showing a lumbar support in FIGS. 1, 2, 3, 4, 5 and 7 are for environmental purposes only and do not form any part of the claimed design.

**1 Claim, 4 Drawing Sheets**



# US D490,994 S

Page 2

## U.S. PATENT DOCUMENTS

5,685,606 A	11/1997	Lance	D442,790 S	*	5/2001	Simons et al. ....	D6/366
5,797,652 A	8/1998	Darbyshire	D442,791 S		5/2001	Simons, Jr. et al.	
5,860,700 A	1/1999	Lance	D444,309 S		7/2001	Nagamitsu	
5,871,256 A	2/1999	Kogai	D444,955 S		7/2001	Su	
5,904,400 A	5/1999	Wei	6,254,186 B1		7/2001	Falzon	
5,975,632 A	11/1999	Ginat	D449,174 S		10/2001	Neil	
D417,792 S	12/1999	Hansen et al.	D451,293 S		12/2001	Su	
D422,802 S	* 4/2000	Deacon ..... D6/366	D453,079 S		1/2002	Ma	
D423,259 S	4/2000	Grove	D456,159 S	*	4/2002	Ball et al. ....	D6/366
D424,824 S	5/2000	Chu	D456,626 S		5/2002	Su	
6,062,649 A	5/2000	Nagel et al.	D456,650 S		5/2002	Ball et al.	
6,099,076 A	8/2000	Nagel et al.	D457,023 S	*	5/2002	Ball et al. ....	D6/502
D431,400 S	10/2000	Grove	D457,739 S	*	5/2002	Pearce et al. ....	D6/366
D434,918 S	12/2000	Arko et al.	D461,323 S		8/2002	Su	
6,179,384 B1	1/2001	DeKraker et al.	D471,042 S	*	3/2003	Schmitz et al. ....	D6/502
D437,701 S	2/2001	Bellini et al.	D471,370 S	*	3/2003	Schmitz et al. ....	D6/366
6,189,971 B1	2/2001	Witzig	D476,821 S	*	7/2003	Koepke et al. ....	D6/366
D440,419 S	4/2001	Röder	D477,151 S	*	7/2003	Koepke et al. ....	D6/366

\* cited by examiner



FIG. 1



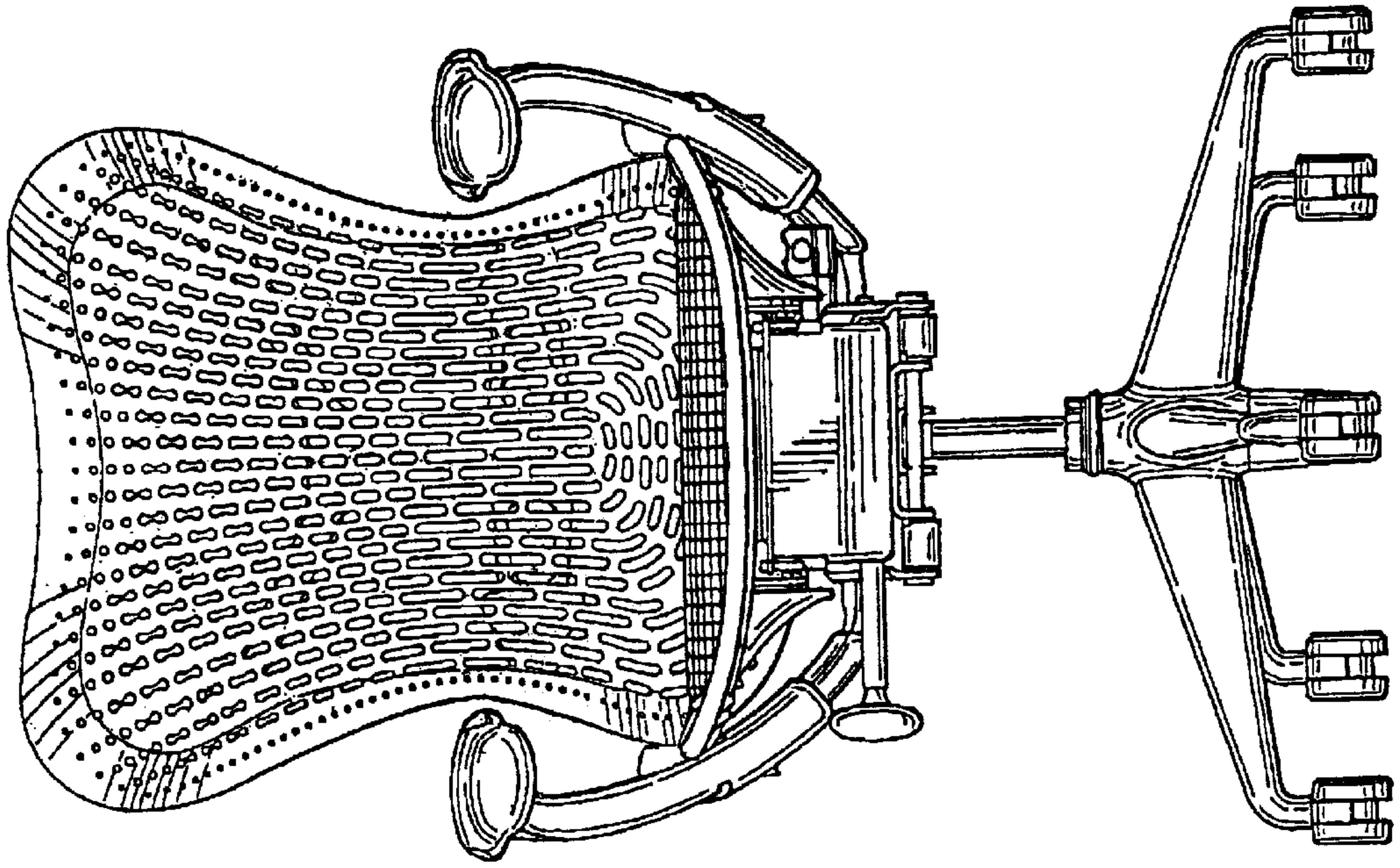


FIG.3

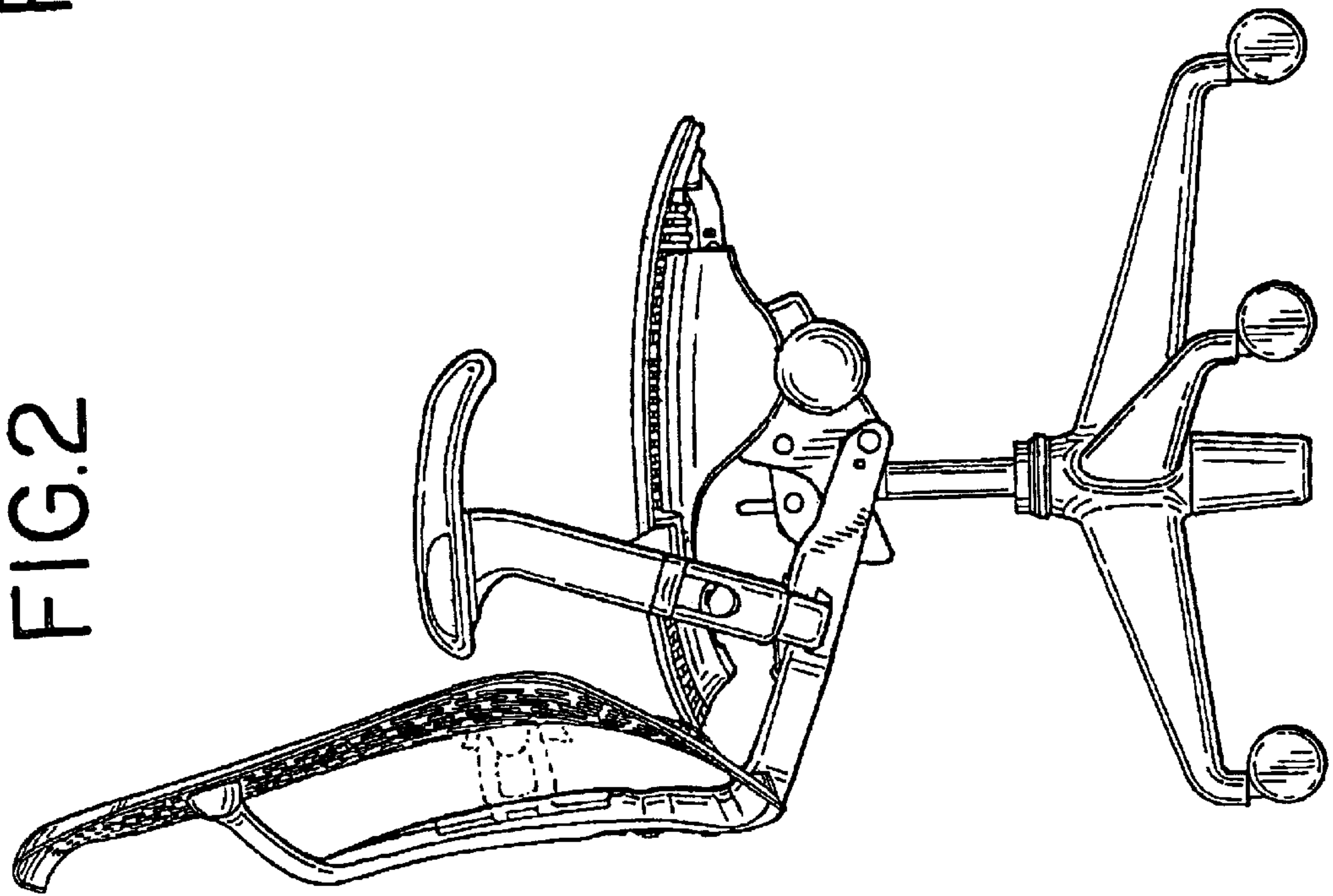


FIG.2



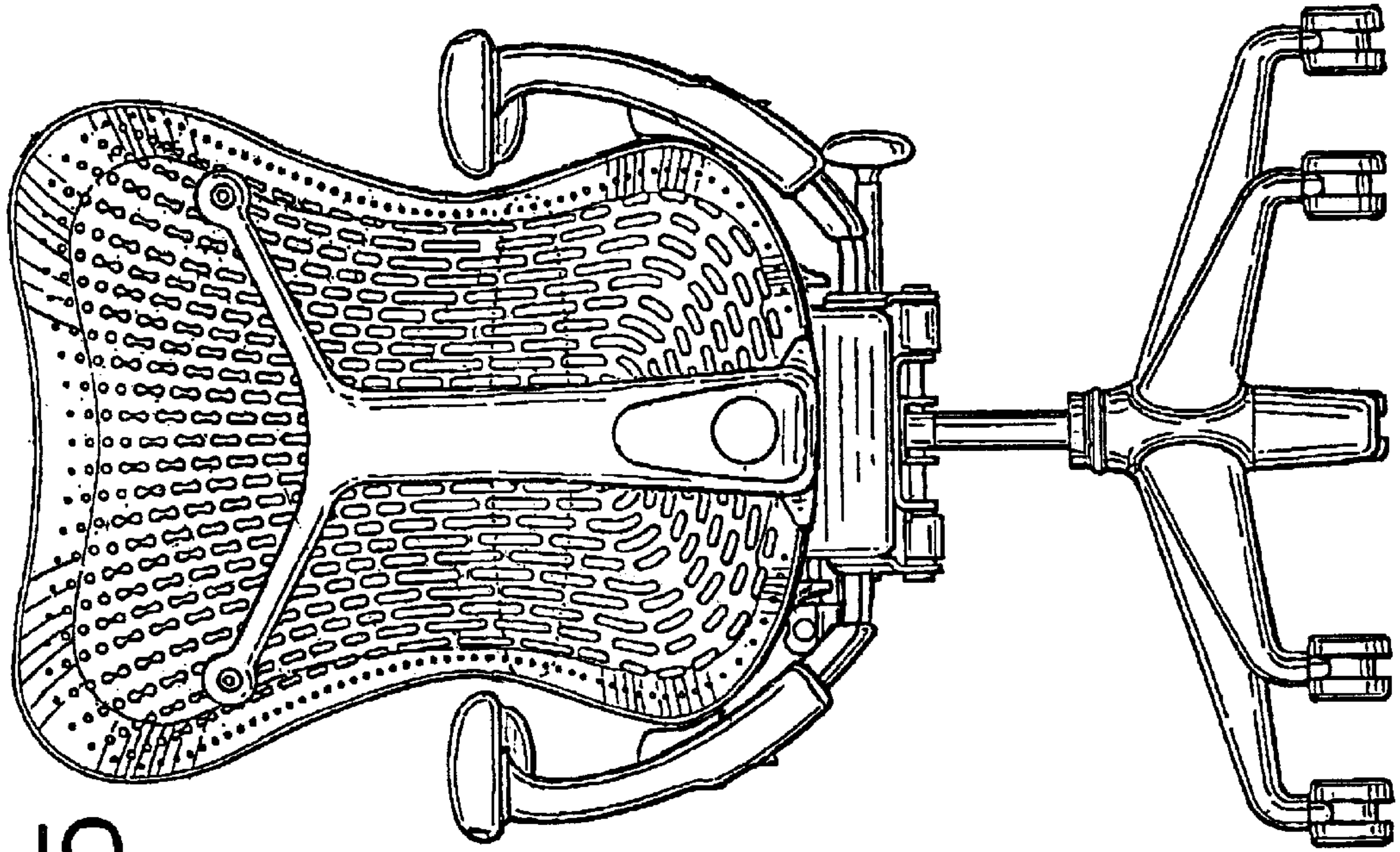


FIG. 5

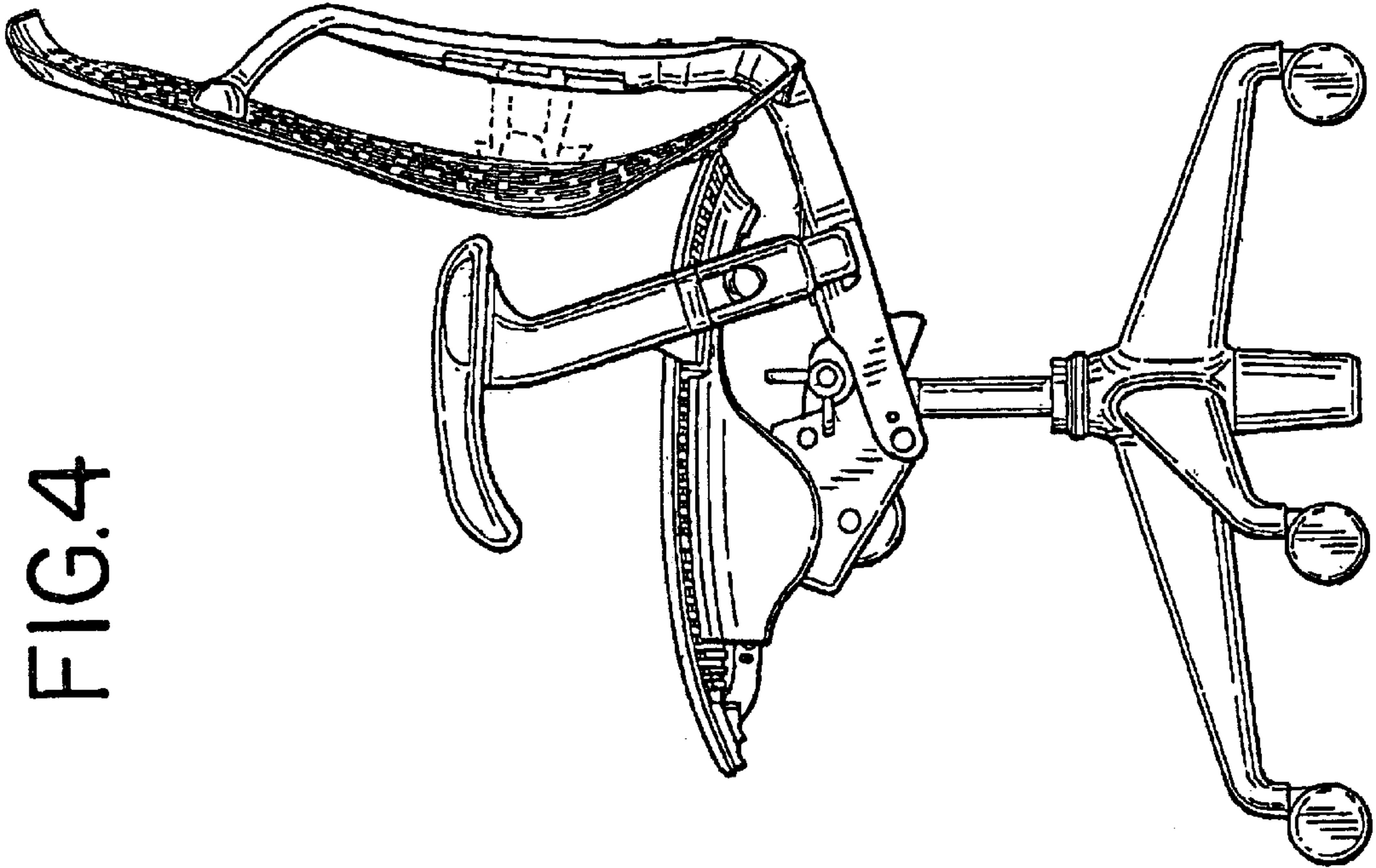


FIG. 4

FIG. 6

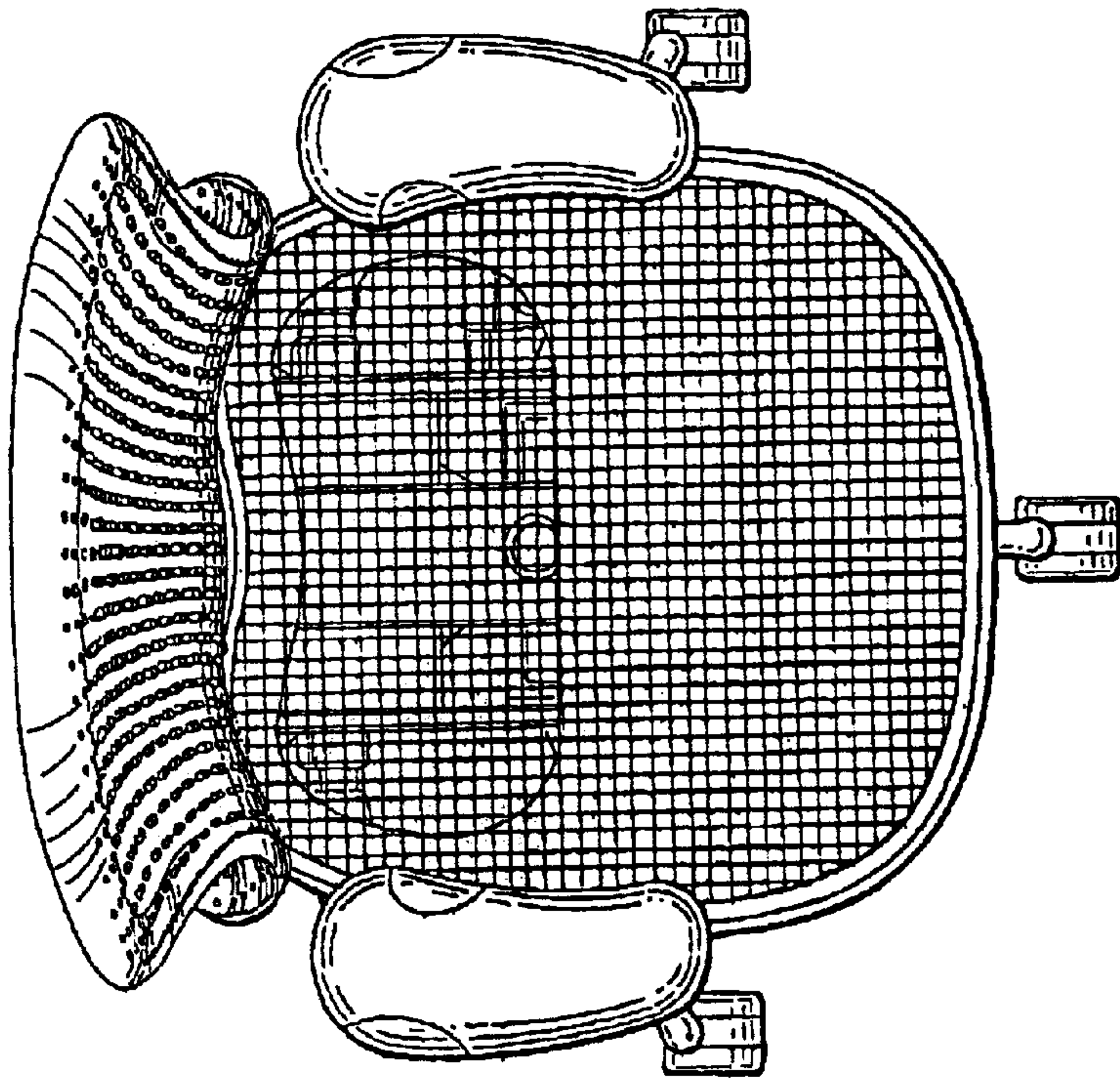


FIG. 7

