



US00D490978S

(12) **United States Design Patent**
Breyer

(10) **Patent No.:** **US D490,978 S**
(45) **Date of Patent:** **** Jun. 8, 2004**

(54) **TRANSPORT AND STORAGE CONTAINER**

(75) **Inventor:** **Scott T. Breyer**, Dousman, WI (US)

(73) **Assignee:** **Oconomowoc Manufacturing Corporation**, Oconomowoc, WI (US)

(**) **Term:** **14 Years**

(21) **Appl. No.:** **29/159,975**

(22) **Filed:** **Apr. 30, 2002**

(51) **LOC (7) Cl.** **03-01**

(52) **U.S. Cl.** **D3/313**

(58) **Field of Search** D3/23, 24, 314,
D3/30, 31; D7/359, 605; D9/500; D32/26-29;
206/225, 226, 388, 389, 408, 509, 522;
242/129, 159, 175, 177, 170, 600, 601,
613.1; 62/457.3

(56) **References Cited**

U.S. PATENT DOCUMENTS

441,454 A	11/1890	Vileyn	
1,519,034 A	* 12/1924	Livingston	62/457.3
2,200,140 A	* 5/1940	Plunkett	242/129
2,943,732 A	7/1960	Kovaleski et al.	206/59
3,406,817 A	10/1968	Lane et al.	206/52
3,819,847 A	* 6/1974	Charles	206/509
4,161,248 A	* 7/1979	Kalmanovitch	206/389
4,402,195 A	* 9/1983	Campbell	62/457.3

4,451,014 A	*	5/1984	Kitt et al.	242/128
4,664,260 A		5/1987	Stokes	206/386
4,984,685 A		1/1991	Douglas	206/334
D319,537 S	*	9/1991	Gott	D3/24
5,103,977 A		4/1992	Douglas	206/334
5,538,217 A	*	7/1996	Chauhan	D7/359
5,738,209 A		4/1998	Burr et al.	206/397
6,296,118 B1	*	10/2001	Speck	206/408
D458,086 S	*	6/2002	Marks et al.	D7/605

* cited by examiner

Primary Examiner—Louis S. Zarfes

Assistant Examiner—Deanne Levy

(74) *Attorney, Agent, or Firm*—Whyte Hirschboeck Dudek SC

(57) **CLAIM**

The ornamental design for a transport and storage container, as shown.

DESCRIPTION

FIG. 1 is a perspective view showing my new design for a transport and storage container;

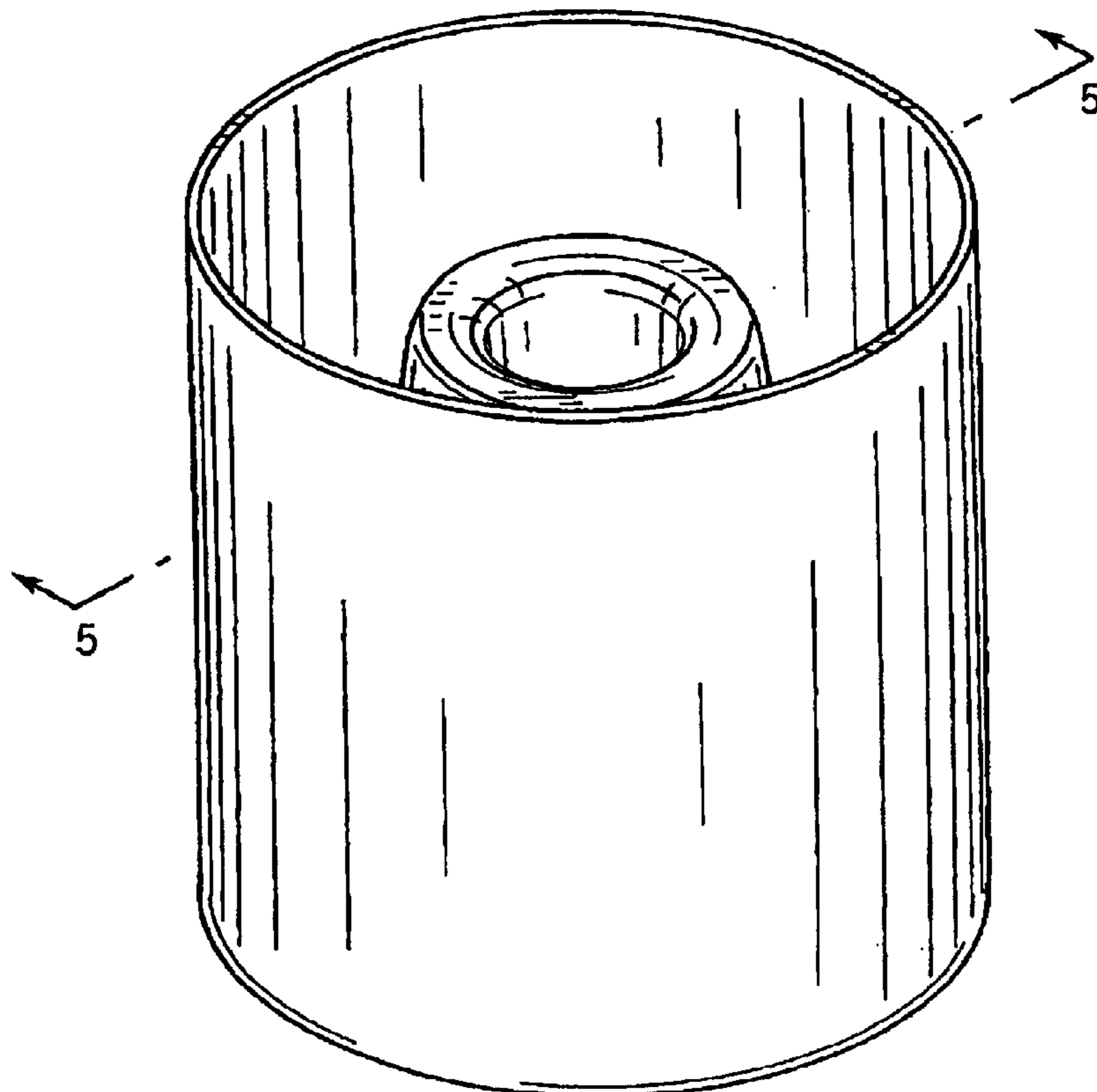
FIG. 2 is a front elevational view thereof, with the back elevational view being the same thereto;

FIG. 3 is a top plan view thereof;

FIG. 4 is a bottom plan view thereof; and,

FIG. 5 is a cross-sectional view taken along line 5—5 of FIG. 1.

1 Claim, 3 Drawing Sheets



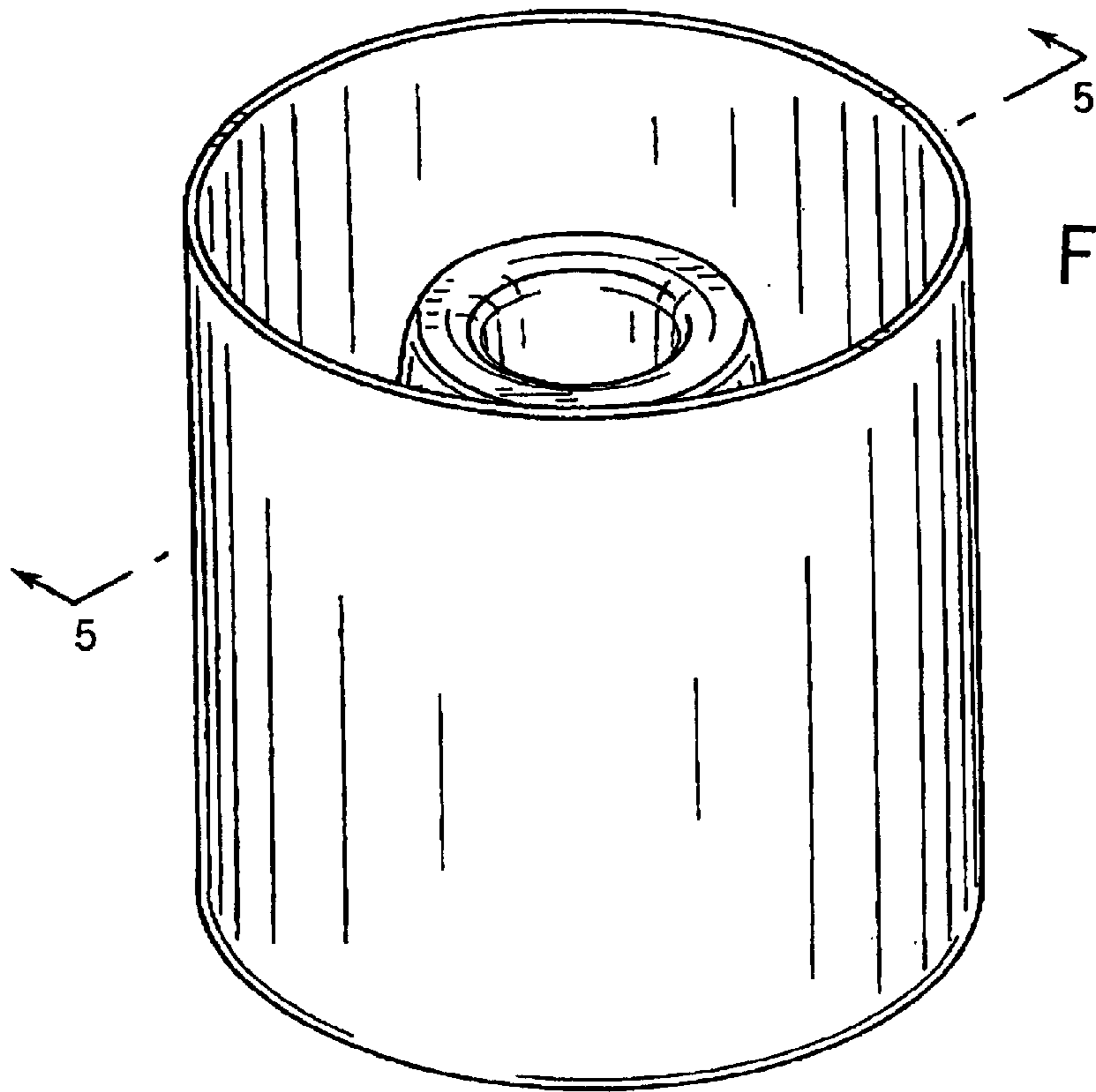


FIG. 1

FIG. 2

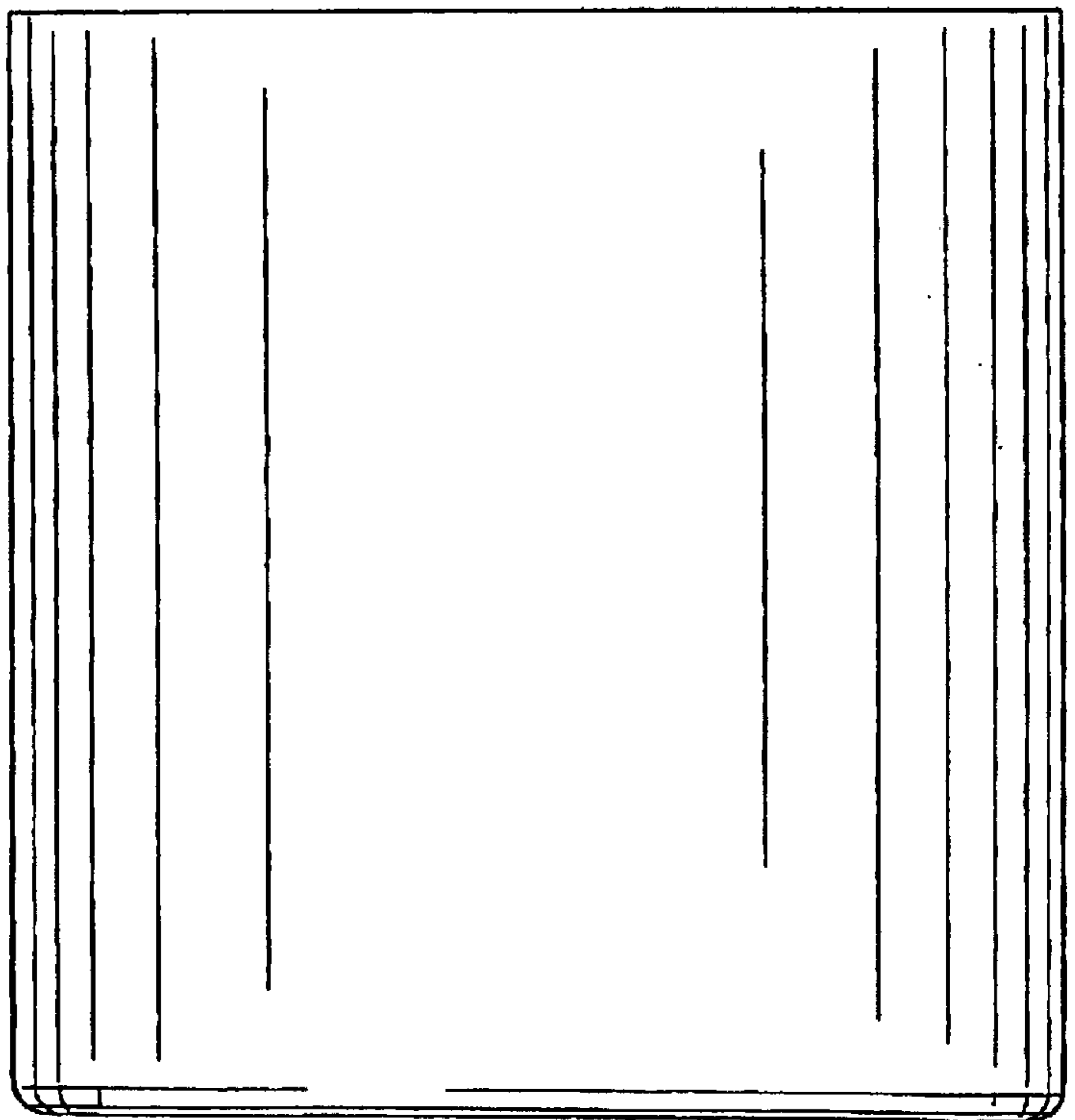


FIG. 3

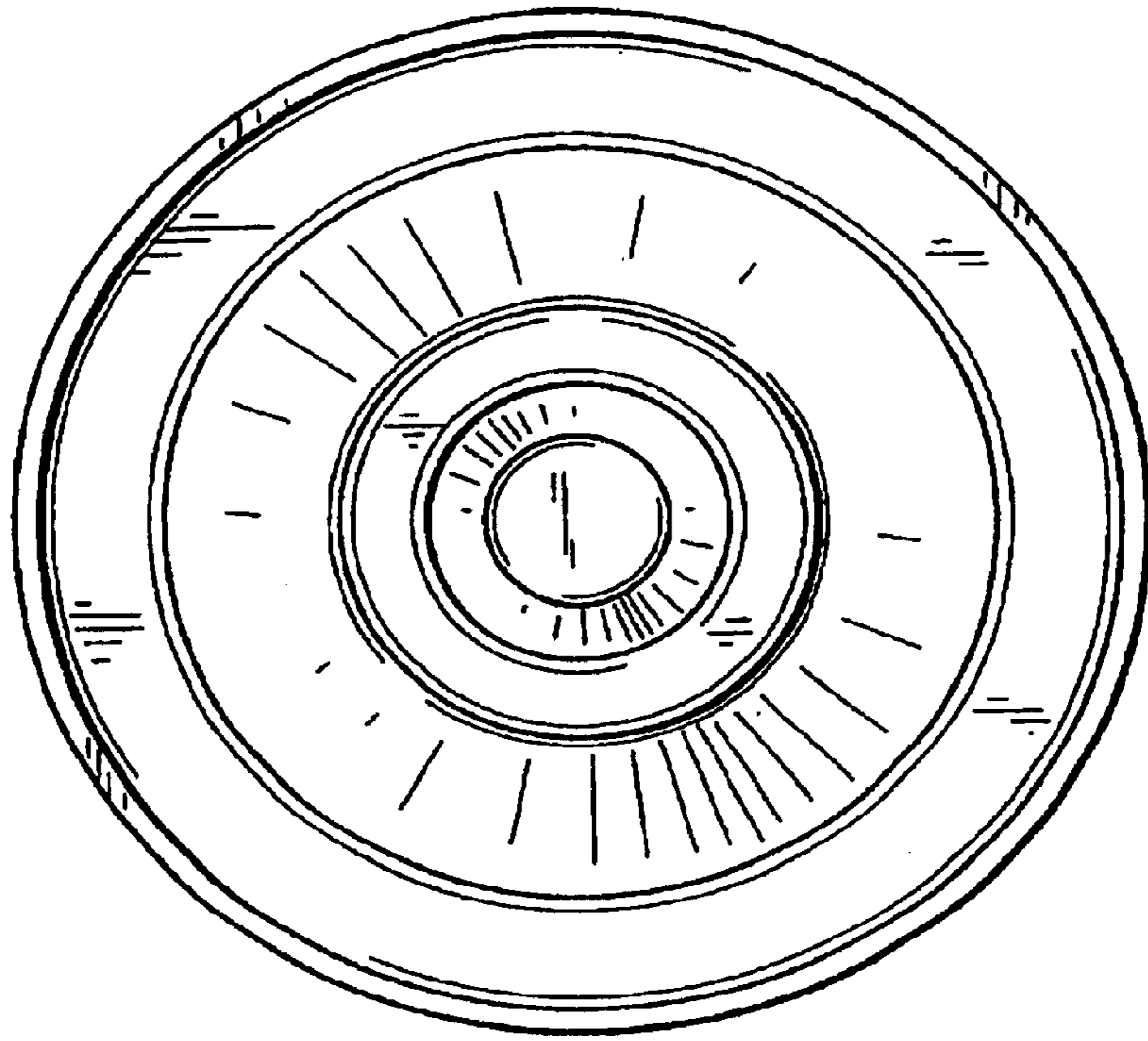
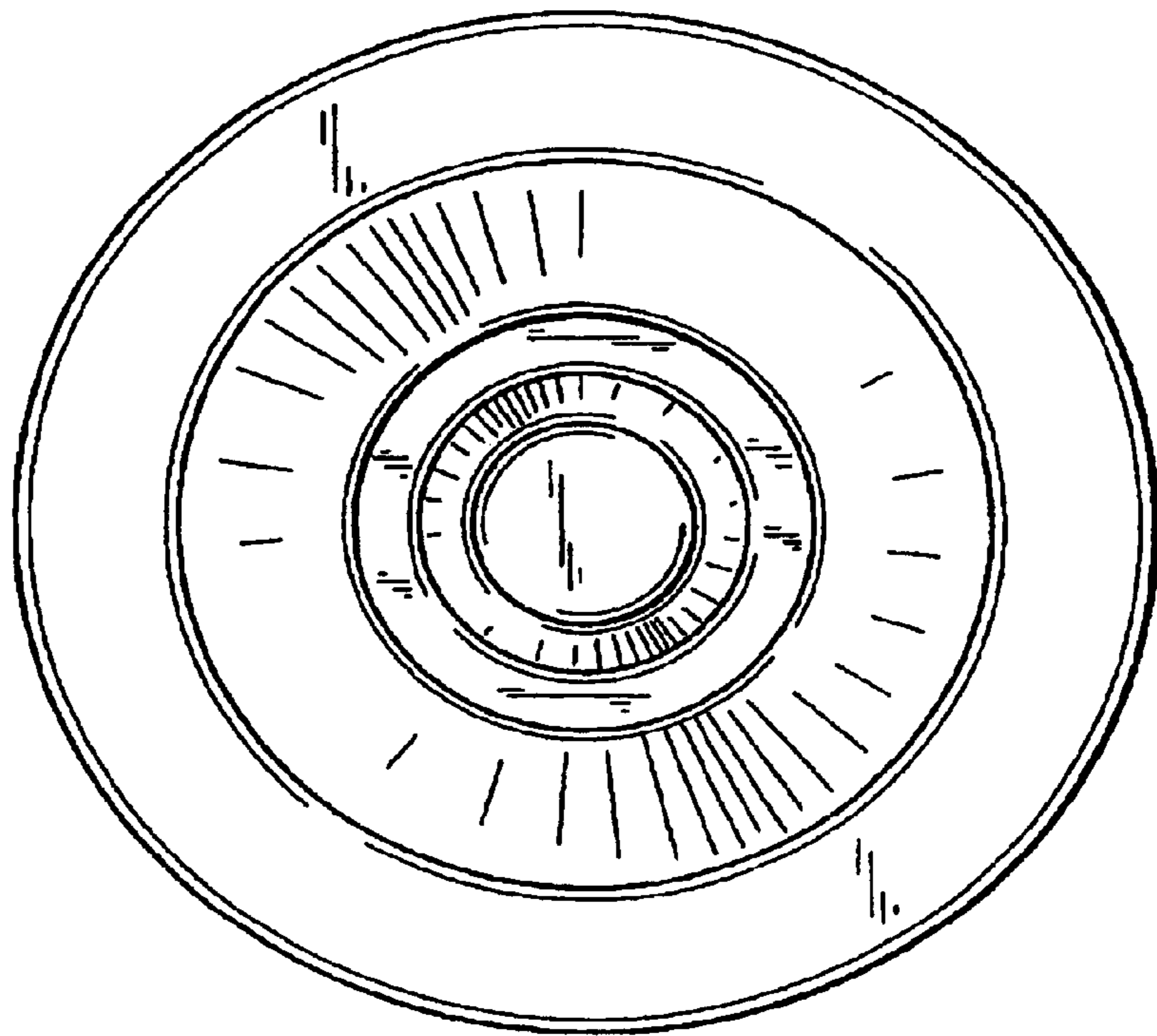


FIG. 4



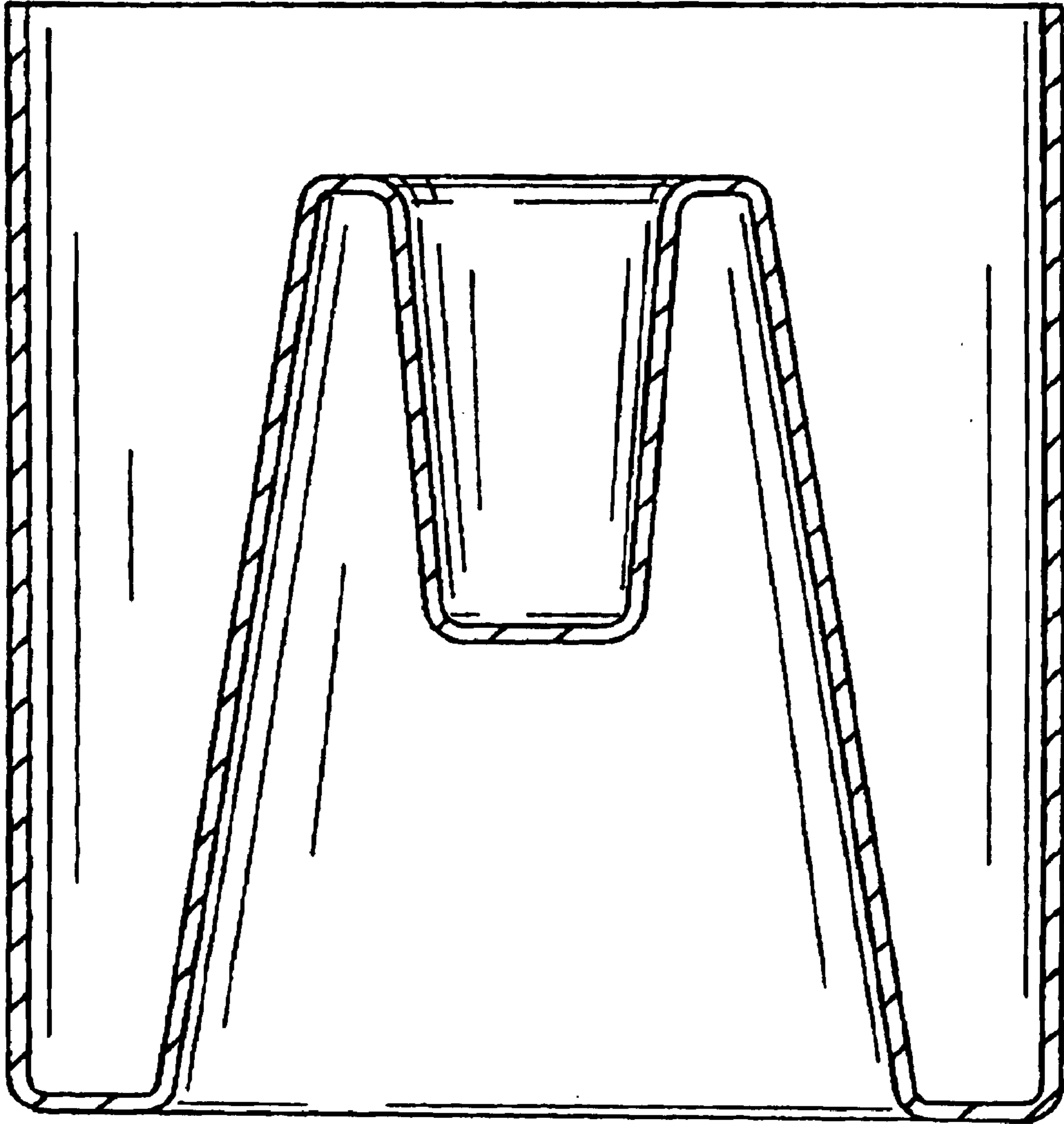


FIG. 5