



US00D490977S

(12) **United States Design Patent**  
**Freeman**

(10) **Patent No.:** **US D490,977 S**

(45) **Date of Patent:** **\*\* Jun. 8, 2004**

(54) **FLATWARE BOX WITH TABS**

6,415,928 B1 \* 7/2002 Giacci ..... 206/781

(75) Inventor: **Roger Freeman**, Hillsdale, NJ (US)

\* cited by examiner

(73) Assignee: **Cambridge Silversmiths LTD**,  
Fairfield, NJ (US)

*Primary Examiner*—Philip S. Hyder  
(74) *Attorney, Agent, or Firm*—Weingram & Associates,  
P.C.

(\*\*) Term: **14 Years**

(57) **CLAIM**

(21) Appl. No.: **29/177,156**

I claim the ornamental design for a flatware box with tabs,  
as shown and described.

(22) Filed: **Mar. 4, 2003**

(51) **LOC (7) Cl.** ..... **03-01**

(52) **U.S. Cl.** ..... **D3/273; D3/903; D6/470;**  
D9/418

(58) **Field of Search** ..... D3/273, 302; D6/470;  
D9/418; 206/335, 781

**DESCRIPTION**

(56) **References Cited**

**U.S. PATENT DOCUMENTS**

D366,796 S	*	2/1996	Crowley	.....	D6/559
D368,588 S	*	4/1996	Goraleski et al.	.....	D6/300
D396,154 S	*	7/1998	Matthews	.....	D6/470
D417,979 S	*	12/1999	Evans	.....	D6/470
D418,348 S	*	1/2000	Thibadeau	.....	D6/559
D428,860 S	*	8/2000	Siperek	.....	D13/182
D441,223 S	*	5/2001	Reeves et al.	.....	D6/470
D443,509 S	*	6/2001	Nantel	.....	D9/425
D451,802 S	*	12/2001	Dardashti	.....	D9/430

FIG. 1 is a perspective upper left front view showing the flatware box with tabs of the present invention.

FIG. 2 is a top plan view of the flatware box with tabs shown in FIG. 1.

FIG. 3 is a bottom plan view of the flatware box with tabs shown in FIG. 1.

FIG. 4 is a right side elevation view of the flatware box with tabs shown in FIG. 1.

FIG. 5 is a left side elevation view of the flatware box with tabs shown in FIG. 1.

FIG. 6 is a rear elevation view of the flatware box with tabs shown in FIG. 1; and,

FIG. 7 is a front elevation view of the flatware box with tabs shown in FIG. 1.

**1 Claim, 5 Drawing Sheets**

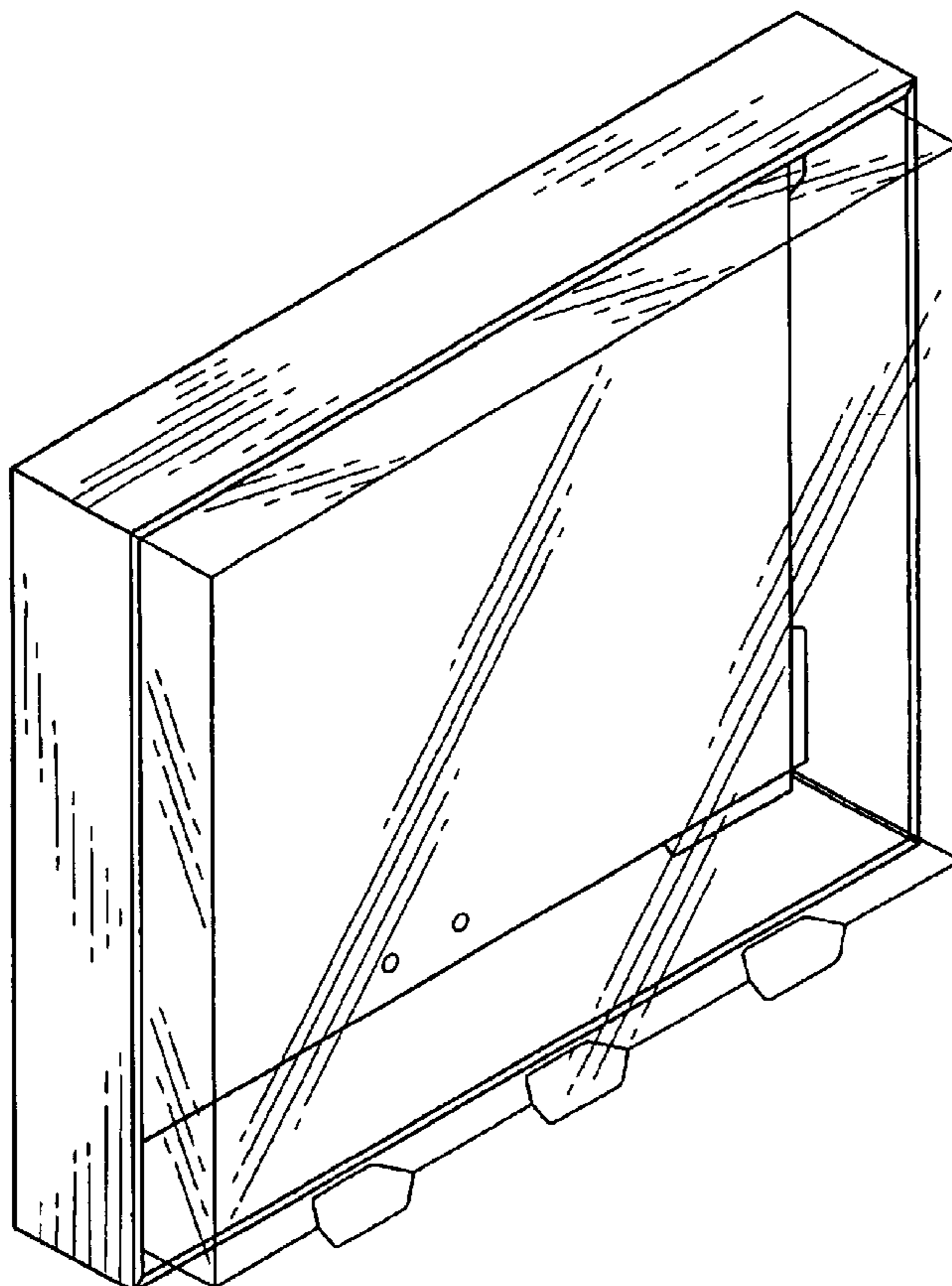


FIG. 1

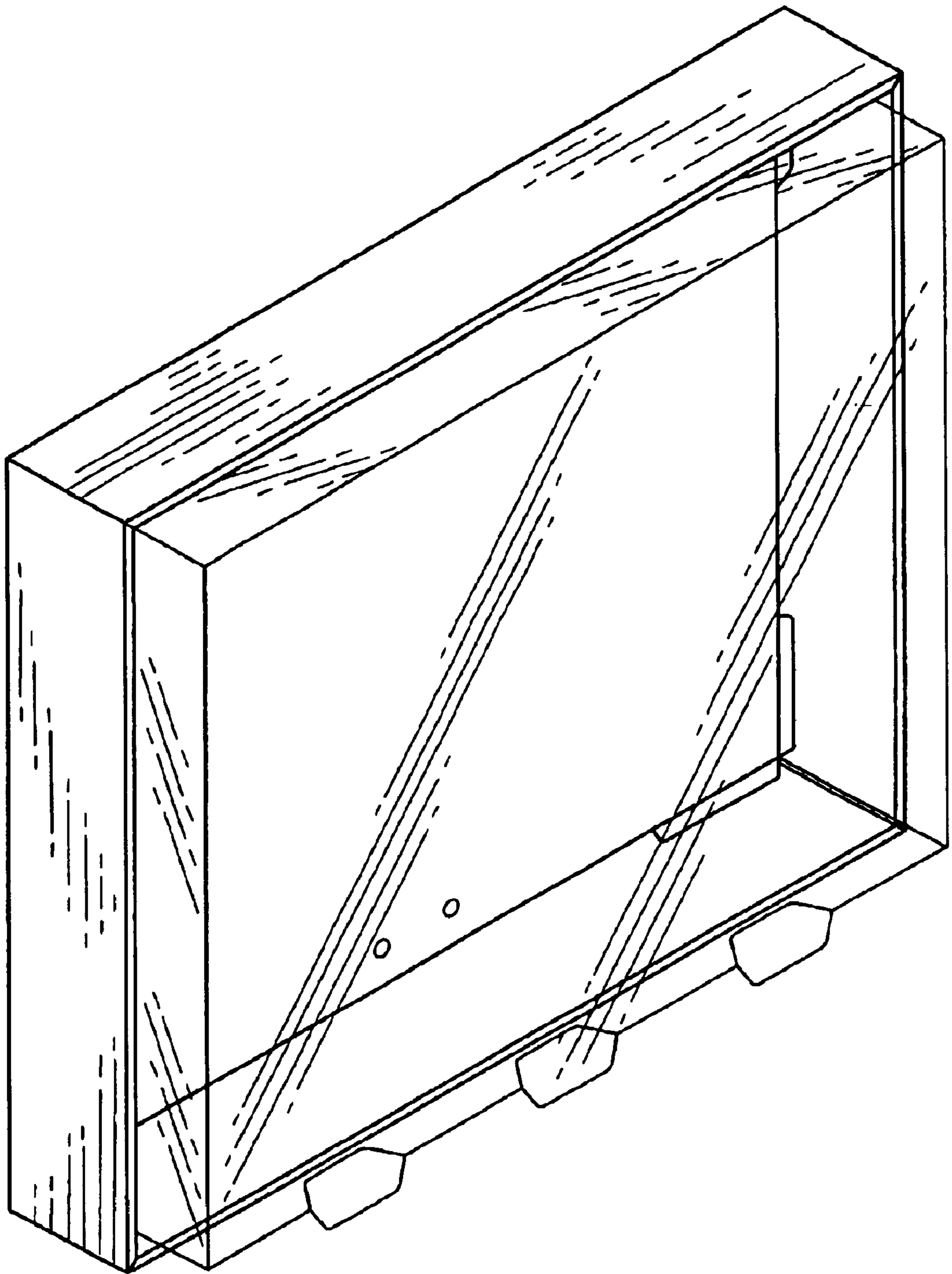


FIG. 2

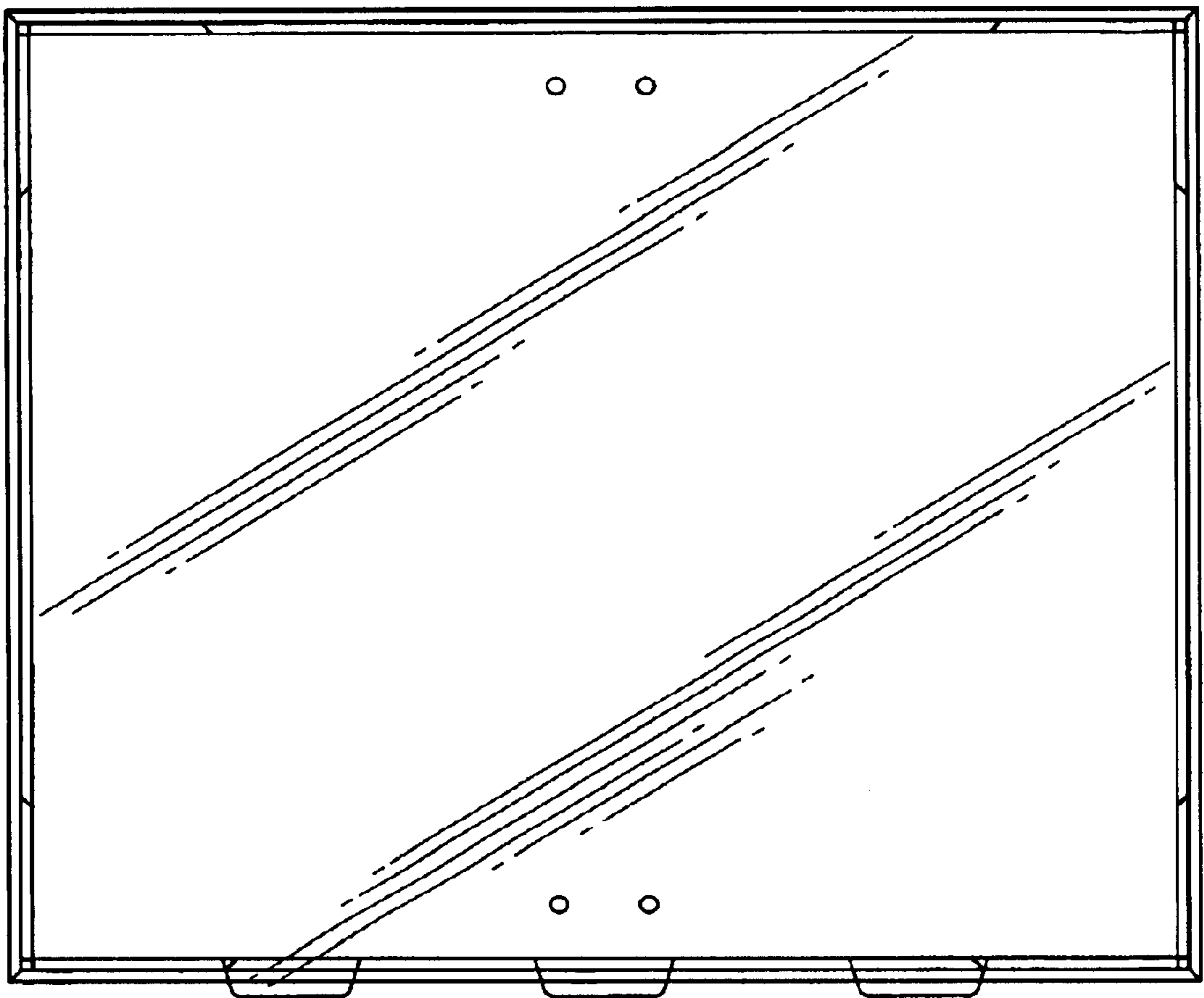


FIG. 3

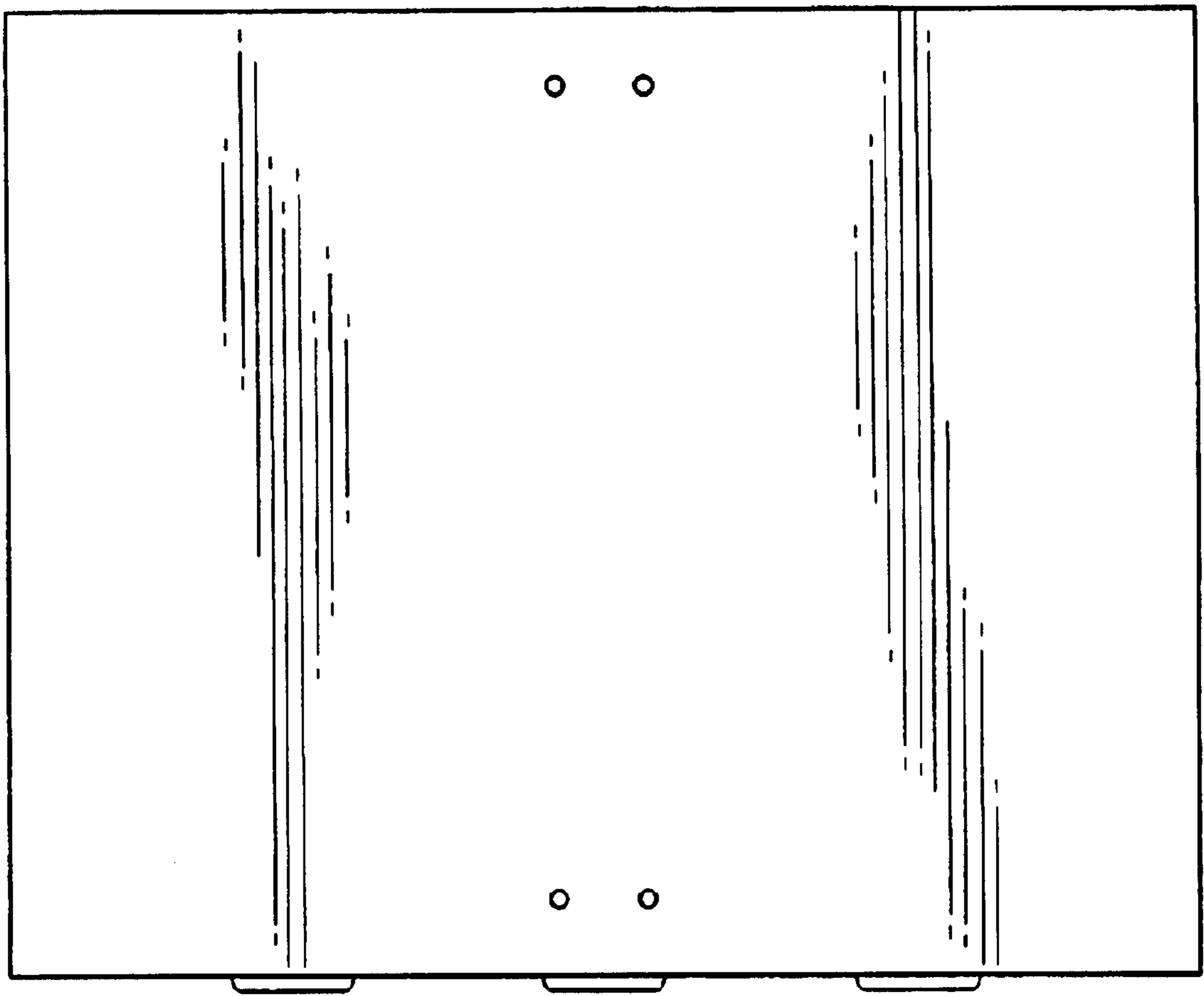


FIG. 4

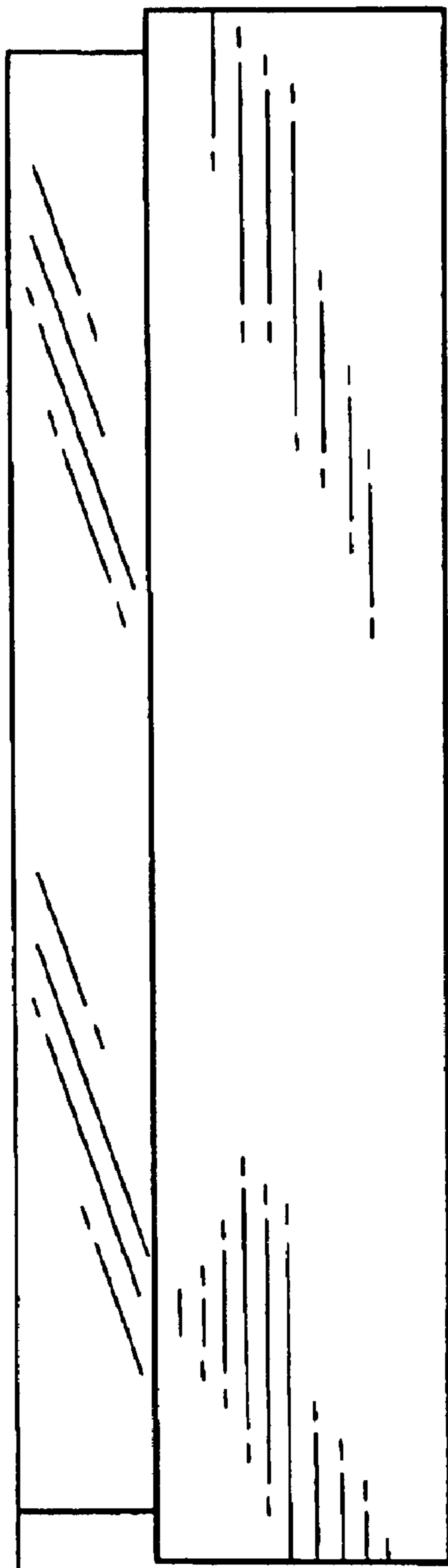


FIG. 5

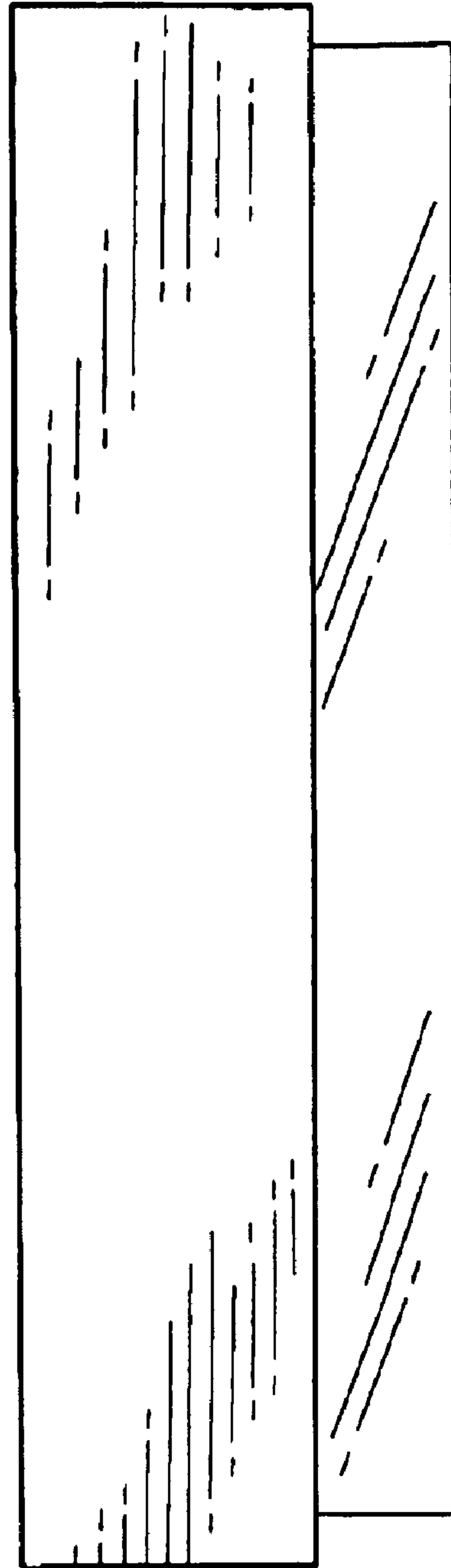


FIG. 6

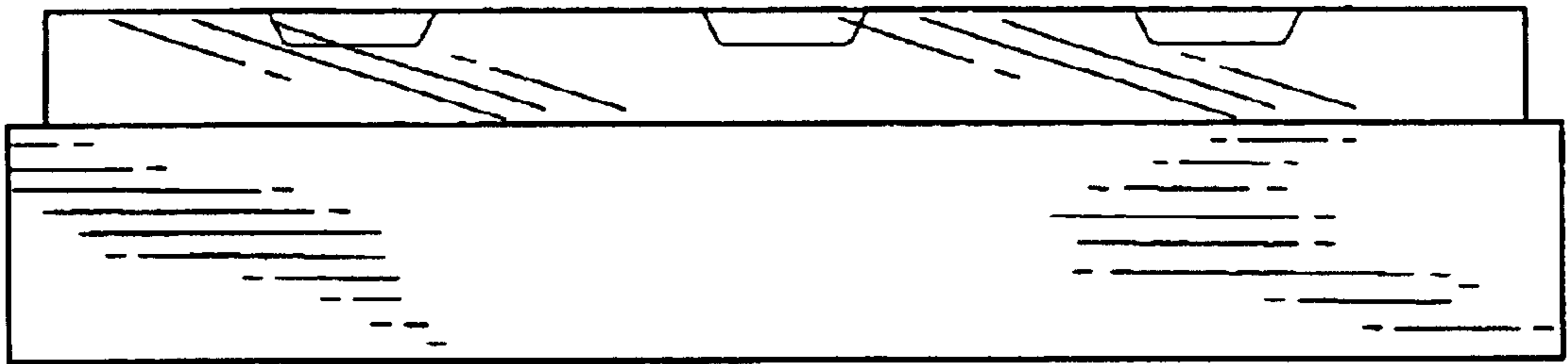


FIG. 7

