



US00D490962S

(12) **United States Design Patent**
Sagy et al.

(10) **Patent No.:** **US D490,962 S**

(45) **Date of Patent:** **** Jun. 8, 2004**

(54) **TOP PORTION OF A CONTAINER AND VISCIOUS FLOWABLE FOOD PRODUCT**

(75) Inventors: **Arthur Avner Sagy**, Guttenberg, NJ (US); **Randall William Peters**, Yonkers, NY (US)

(73) Assignee: **Kraft Foods Holdings, Inc.**, Northfield, IL (US)

(**) Term: **14 Years**

(21) Appl. No.: **29/172,112**

(22) Filed: **Dec. 6, 2002**

Related U.S. Application Data

(63) Continuation-in-part of application No. 29/153,917, filed on Jan. 16, 2002, now abandoned.

(51) **LOC (7) Cl.** **01-01**

(52) **U.S. Cl.** **D1/102**

(58) **Field of Search** D1/100-130, 199; 426/34-43, 104, 115, 130, 249, 330, 330.2, 383, 583; D7/562, 584; D9/33.7

(56) **References Cited**

U.S. PATENT DOCUMENTS

4,884,717 A * 12/1989 Bussard et al. 426/115 X
6,068,865 A * 5/2000 Lee et al. 426/43
6,099,880 A * 8/2000 Klacik et al. 426/249

OTHER PUBLICATIONS

Trans Global Trading TM Sugar Free Starlight Mints, © 1999, shown and described on pp. 1 and 2 from: <URL: http://transglobaltrading.com/item.cfm?SupplierID=5&ProductID=426, retrieved from the Internet Oct. 11, 2002.*

CraftMall—USA Newsletter #3, Dec. 1998, red striped peppermint candy shown and described on pp. 5 and 6, from URL: <http://craftmallusa.com/newsletter/1298, retrieved from the Internet on Oct. 16, 2002.*

Fields, Debbi. Mrs. Fields ® Best Ever Cookie Book!, Virginia, Time®—Life Books, © 1997. chocolate shortbread recipe and illustration on p. 177.*

Dairy Foods Dec. 2001 magazine, “Squeezing Swirls” article by Donna Berry on p. 18.*

* cited by examiner

Primary Examiner—Alan P. Douglas

Assistant Examiner—Linda Brooks

(74) *Attorney, Agent, or Firm*—Stites & Harbison PLLC; Marvin Petry

(57) **CLAIM**

We claim the ornamental design for a top portion of a container and viscous flowable food product, as shown and described.

DESCRIPTION

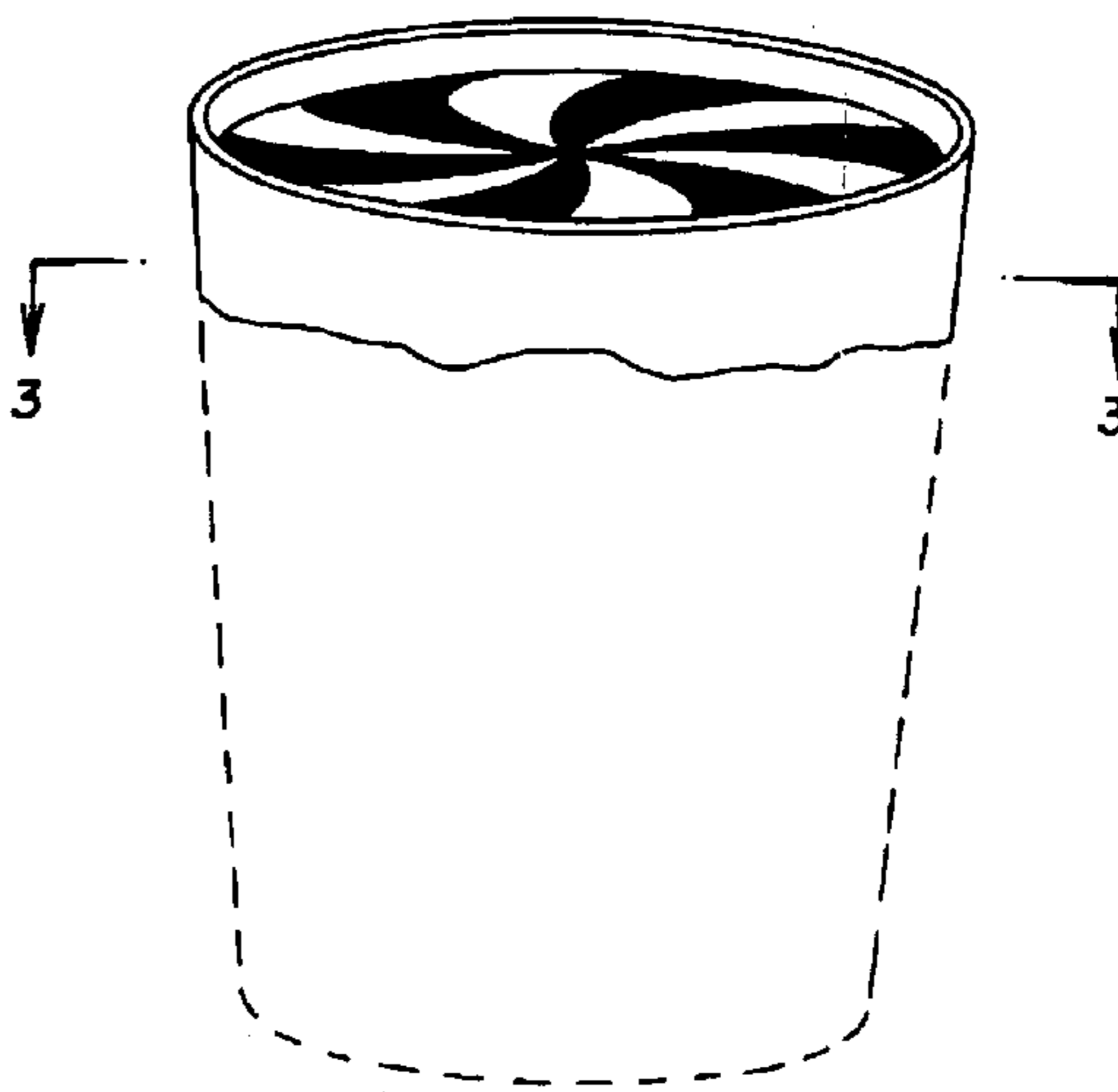
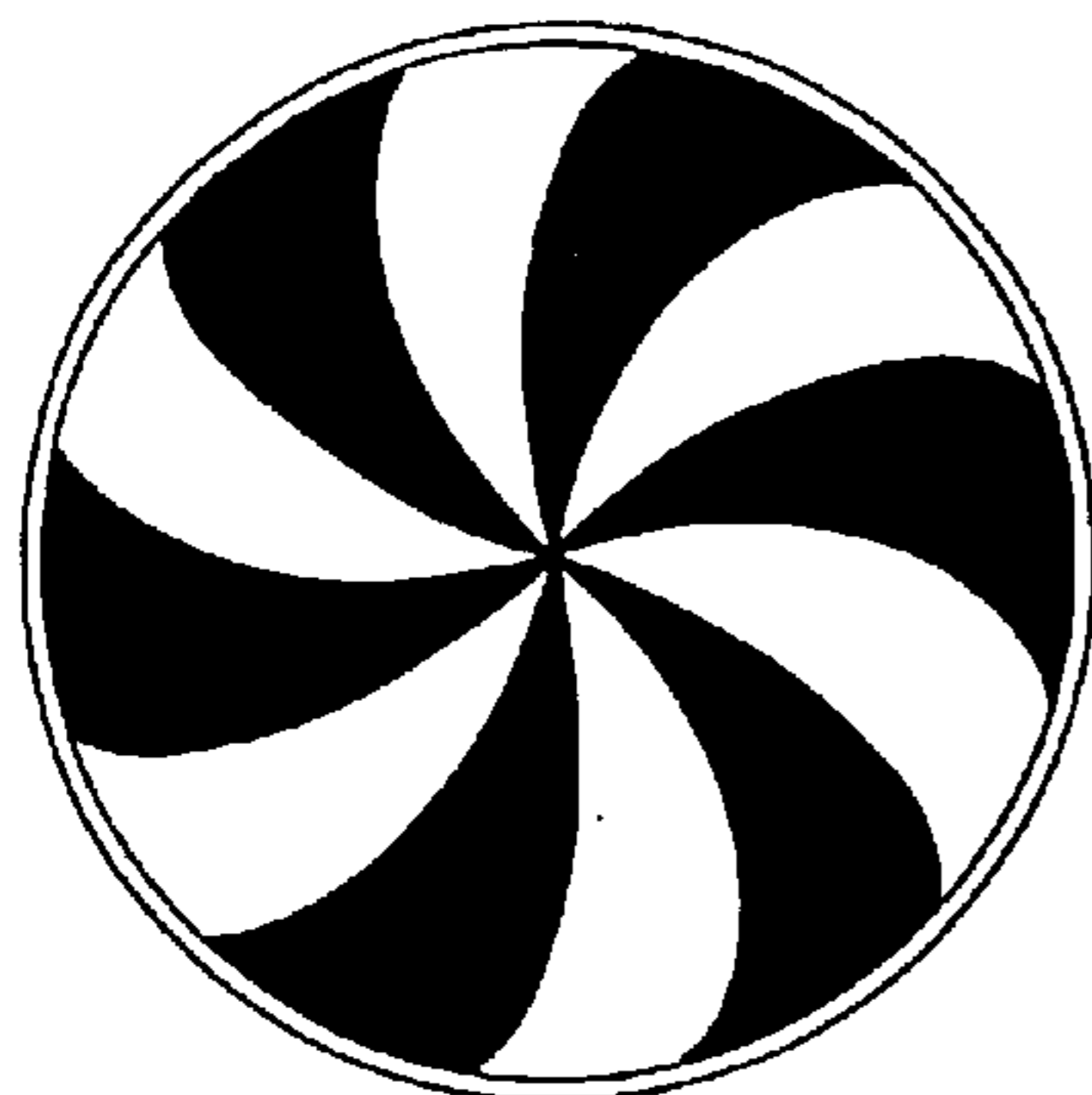
FIG. 1 is a top plan view of a top portion of a container and viscous flowable food product according to our new design.

FIG. 2 is a top front perspective view thereof with the broken lines showing the remainder of the container which forms no part of the claimed design; and,

FIG. 3 is a sectional view taken along line 3—3 of FIG. 2.

The color black represents a contrasting color.

1 Claim, 1 Drawing Sheet



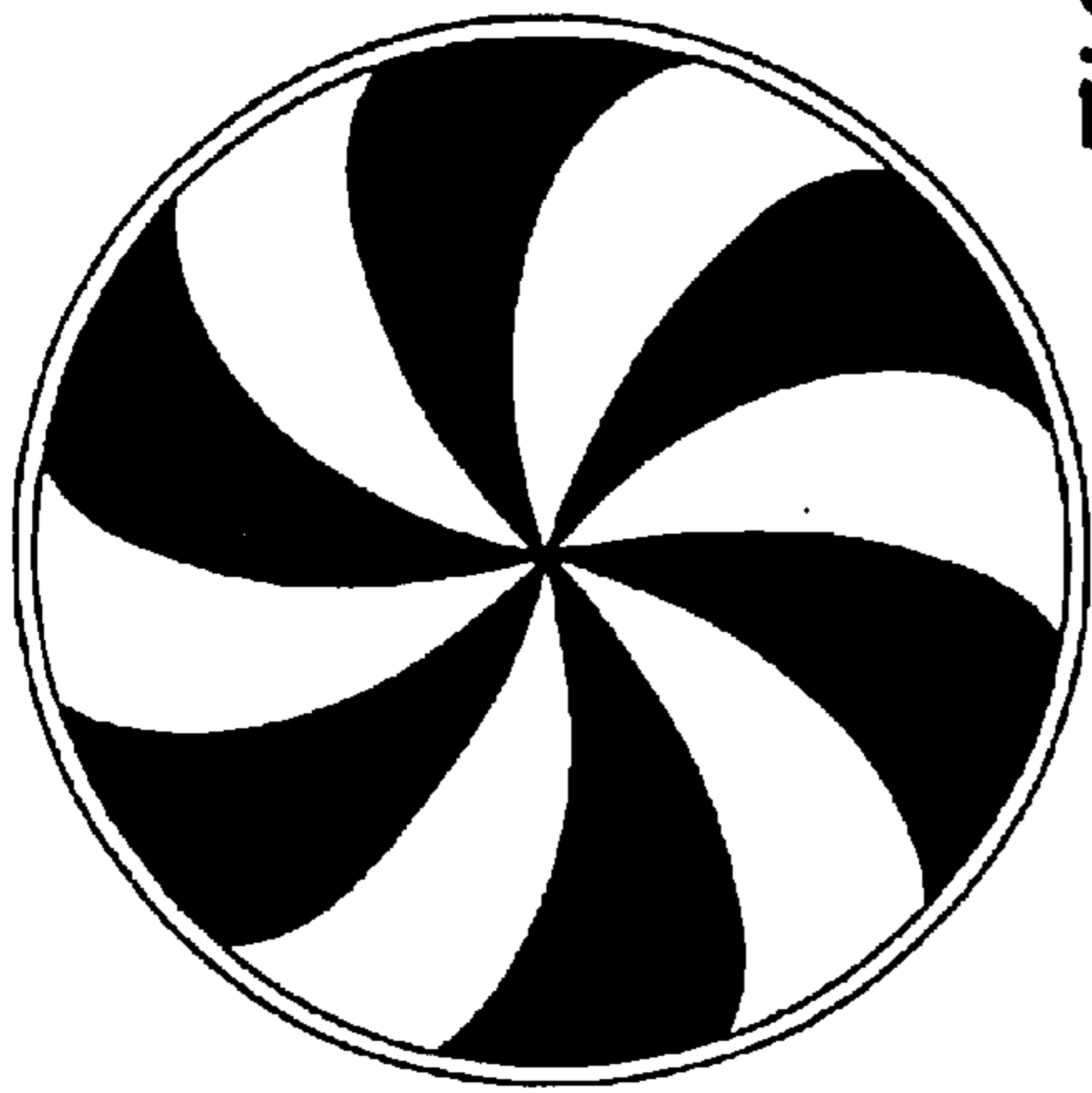


FIG. 1

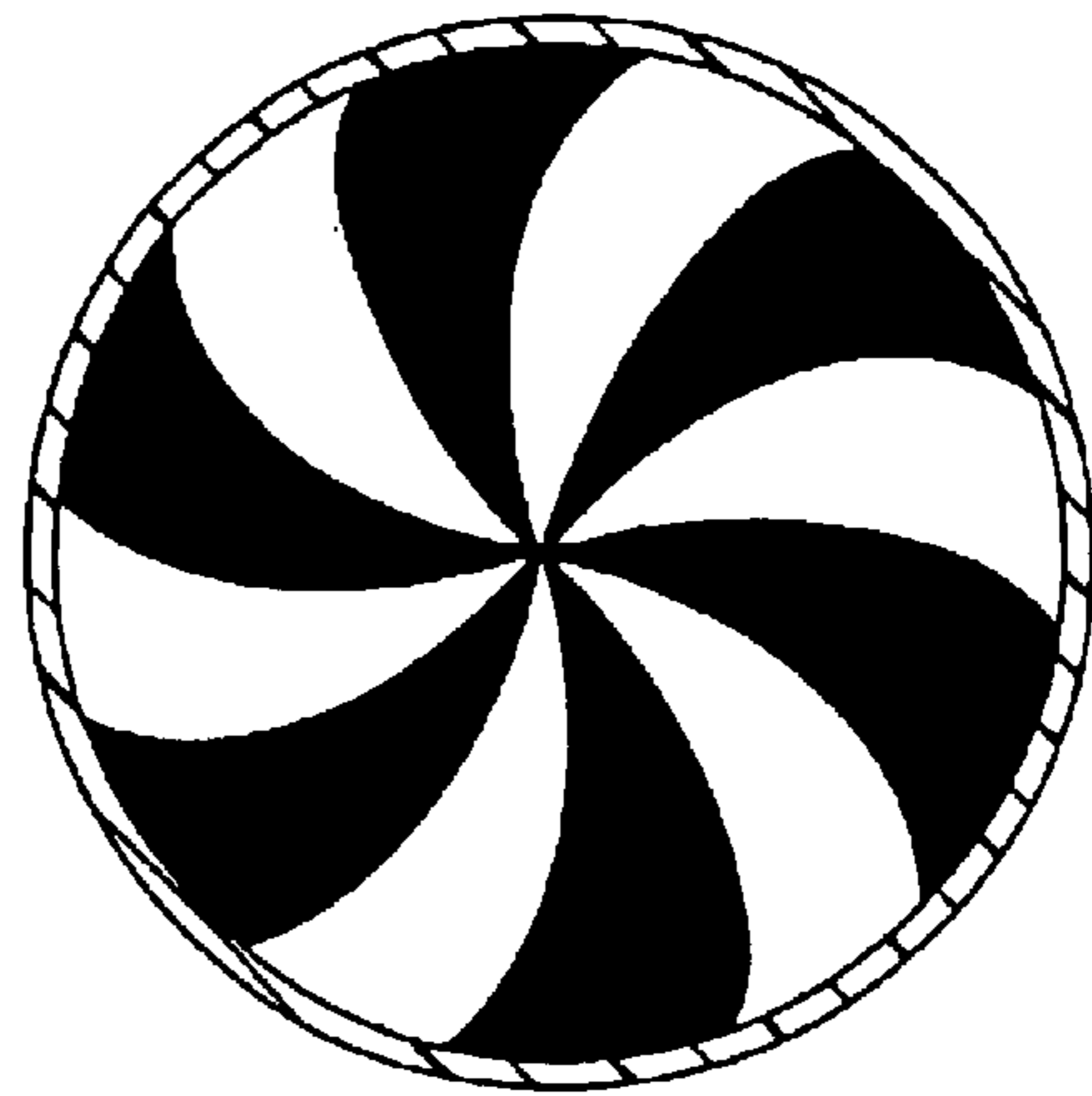


FIG. 3

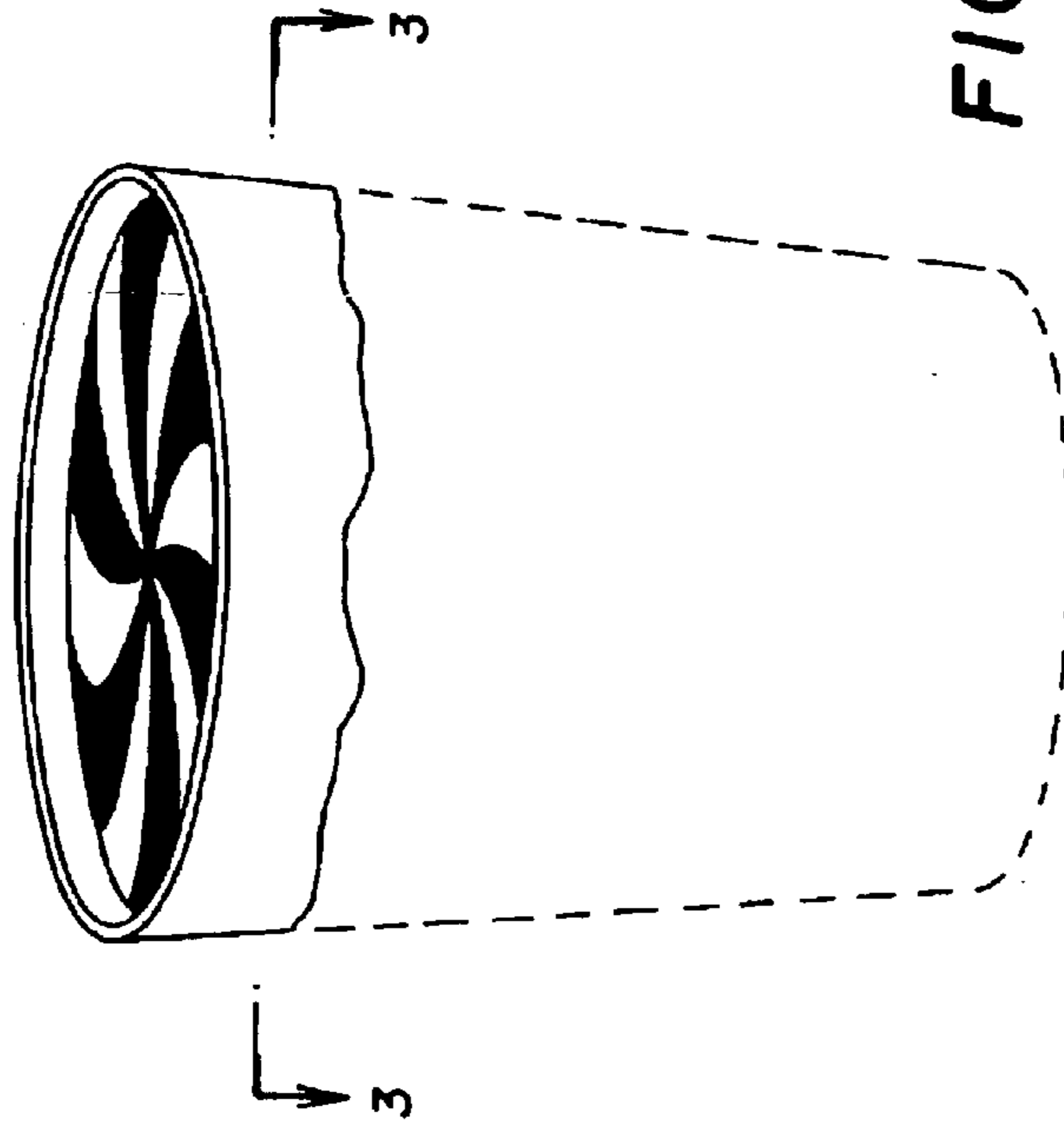


FIG. 2