



US00D490960S

(12) **United States Design Patent**
Rotolo

(10) **Patent No.:** **US D490,960 S**

(45) **Date of Patent:** **** Jun. 1, 2004**

(54) **LOWER PORTION FOR A COFFIN**

(76) Inventor: **Nicholas Rotolo**, 903 E. Dominick St.,
Rome, NY (US) 13440

(**) Term: **14 Years**

(21) Appl. No.: **29/180,651**

(22) Filed: **Apr. 29, 2003**

(51) **LOC (7) Cl.** **99-00**

(52) **U.S. Cl.** **D99/1**

(58) **Field of Search** D99/1-8; 27/1-7,
27/16, 27; 40/124.5; 52/103, 104

(56) **References Cited**

U.S. PATENT DOCUMENTS

2,327,949	A	*	8/1943	West	27/3
2,372,412	A	*	3/1945	Wallace	27/6
2,431,183	A	*	11/1947	Mansfield	27/3
D400,683	S	*	11/1998	Saaf et al.	D99/1
6,154,938	A	*	12/2000	LaJeunesse et al.	27/2
6,317,942	B1	*	11/2001	Hankel et al.	27/2
6,324,736	B1	*	12/2001	Atrio	27/2

* cited by examiner

Primary Examiner—Paula A. Mortimer
(74) *Attorney, Agent, or Firm*—David Giglio

(57) **CLAIM**

I claim an ornamental design for a lower portion for a coffin,
as shown and described.

DESCRIPTION

FIG. 1 is a top, front perspective view, with certain elements
not being claimed shown in broken line, showing my new
design;

FIG. 2 is a top, front perspective view of my design for a
coffin showing the top and two sides;

FIG. 3 is a rear perspective view of my design for the coffin
showing the top and the rear sides with the front having a
mirror image;

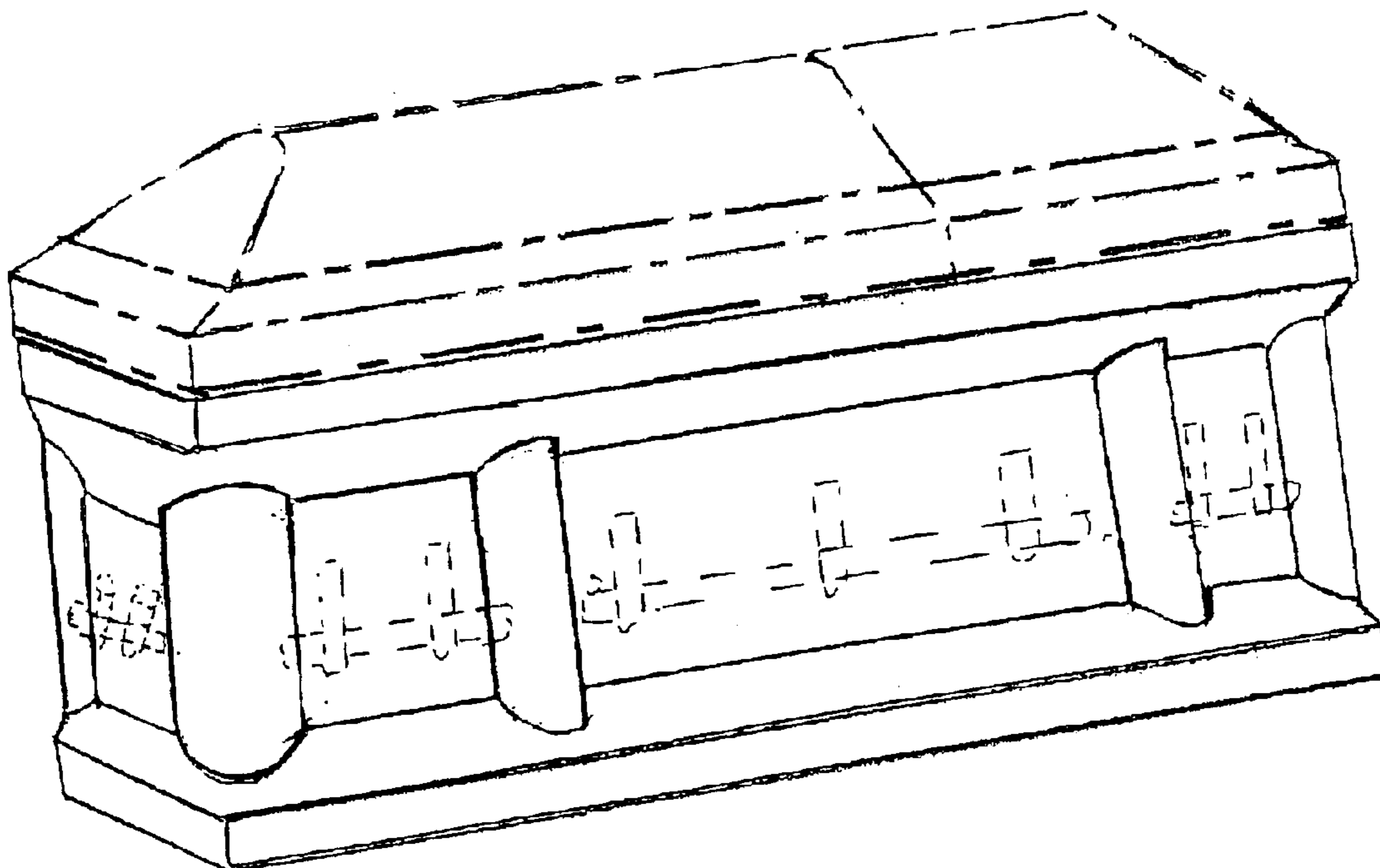
FIG. 4 is a side perspective view of my design showing the
top and a side with other side being a mirror image; and,

FIG. 5 is an exploded top, rear perspective view of my
design for my coffin showing the top and two sides.

The bottom of the coffin is unornamented.

The broken lines shown in FIGS. 1 through 5 are for
illustrative purposes only and form no part of the claimed
design.

1 Claim, 5 Drawing Sheets



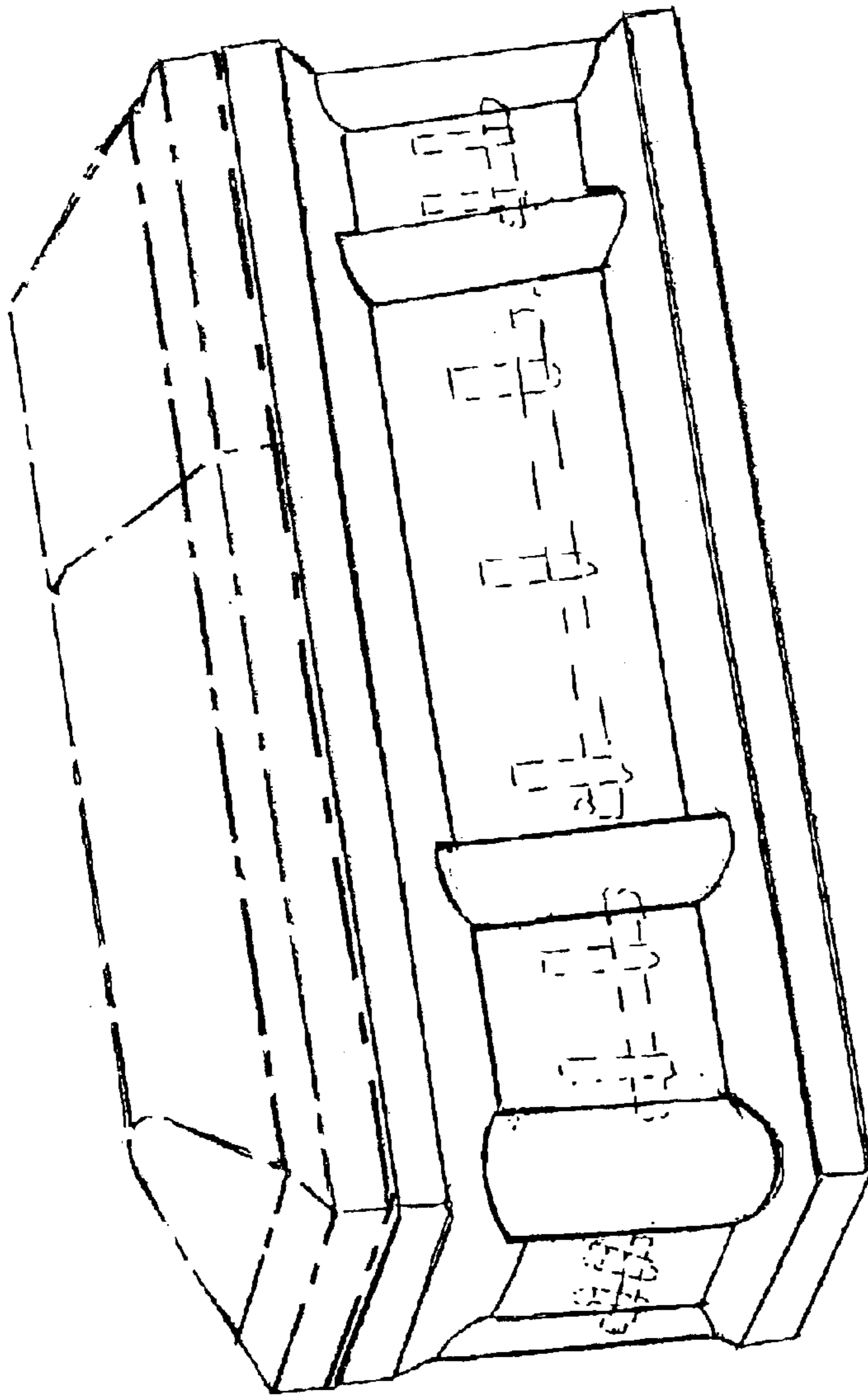


FIG. 1

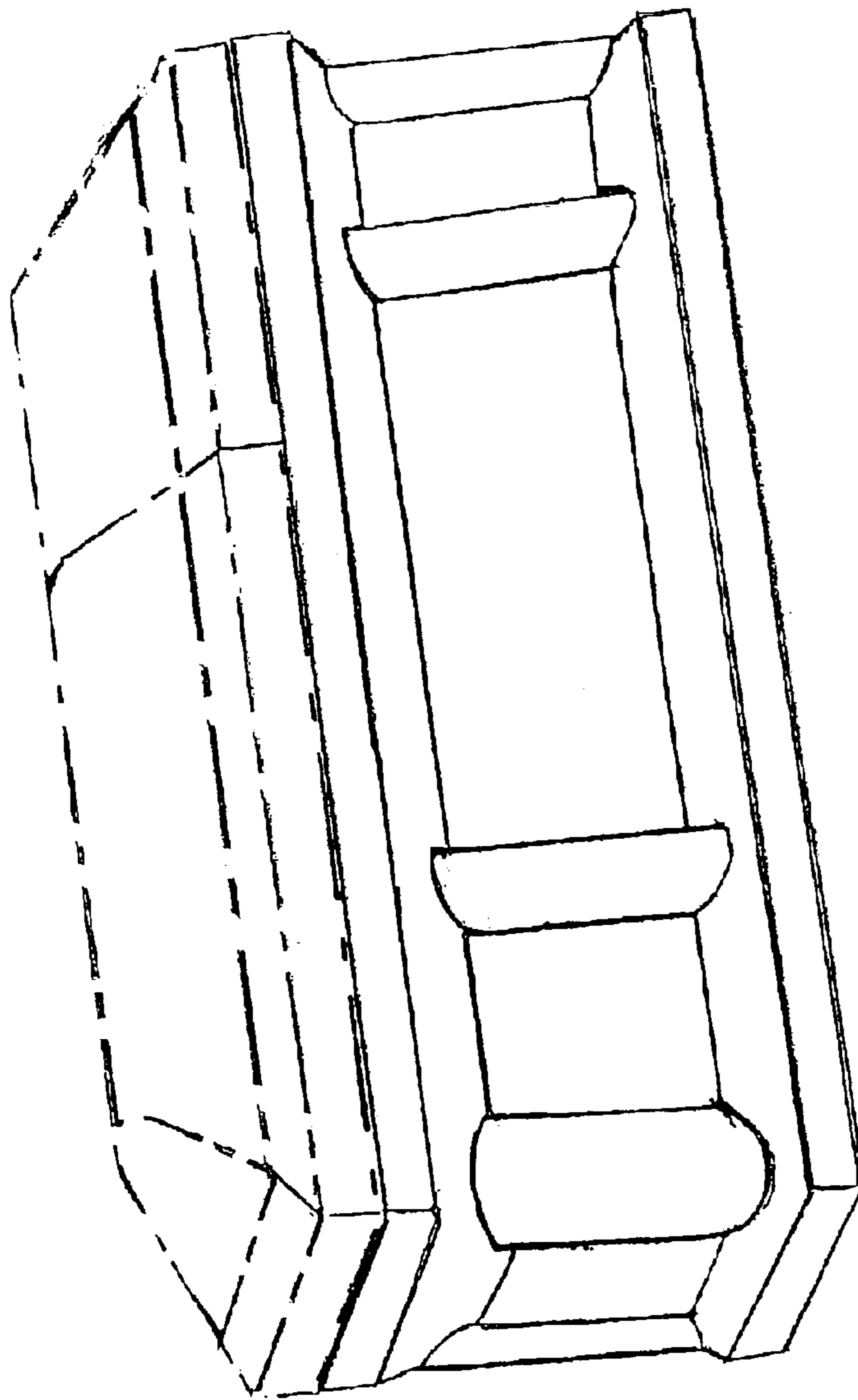


FIG. 2

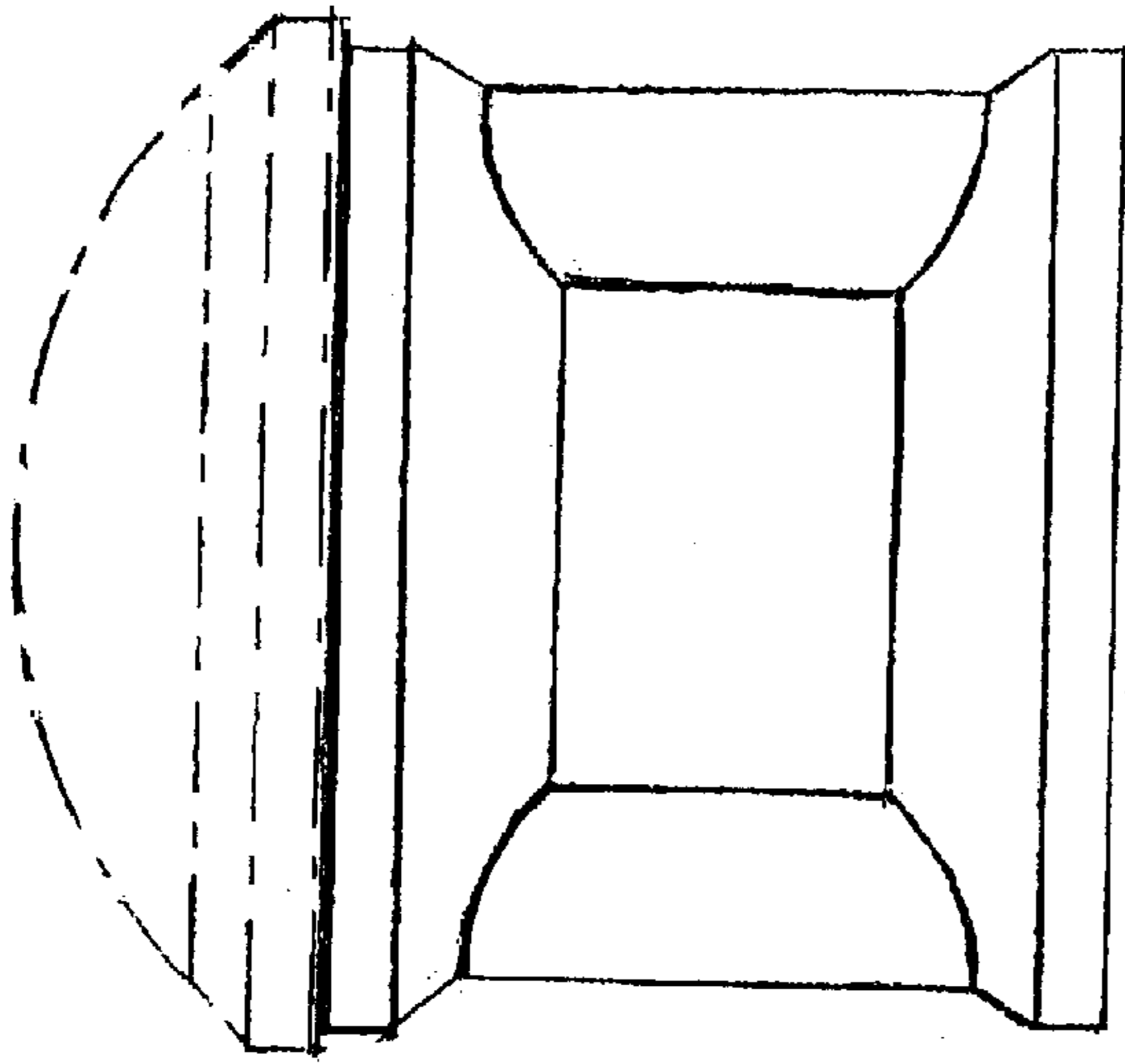


FIG. 3

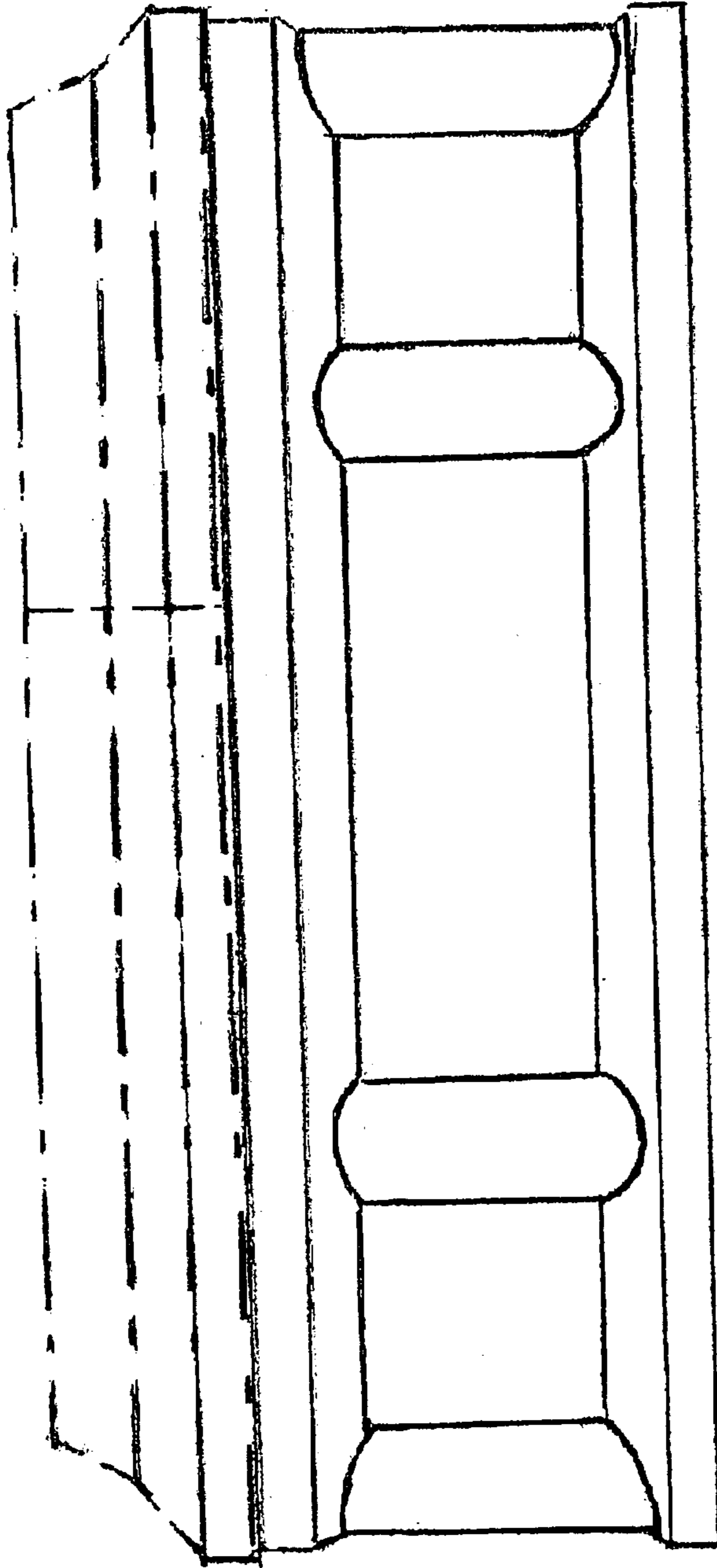


FIG. 4

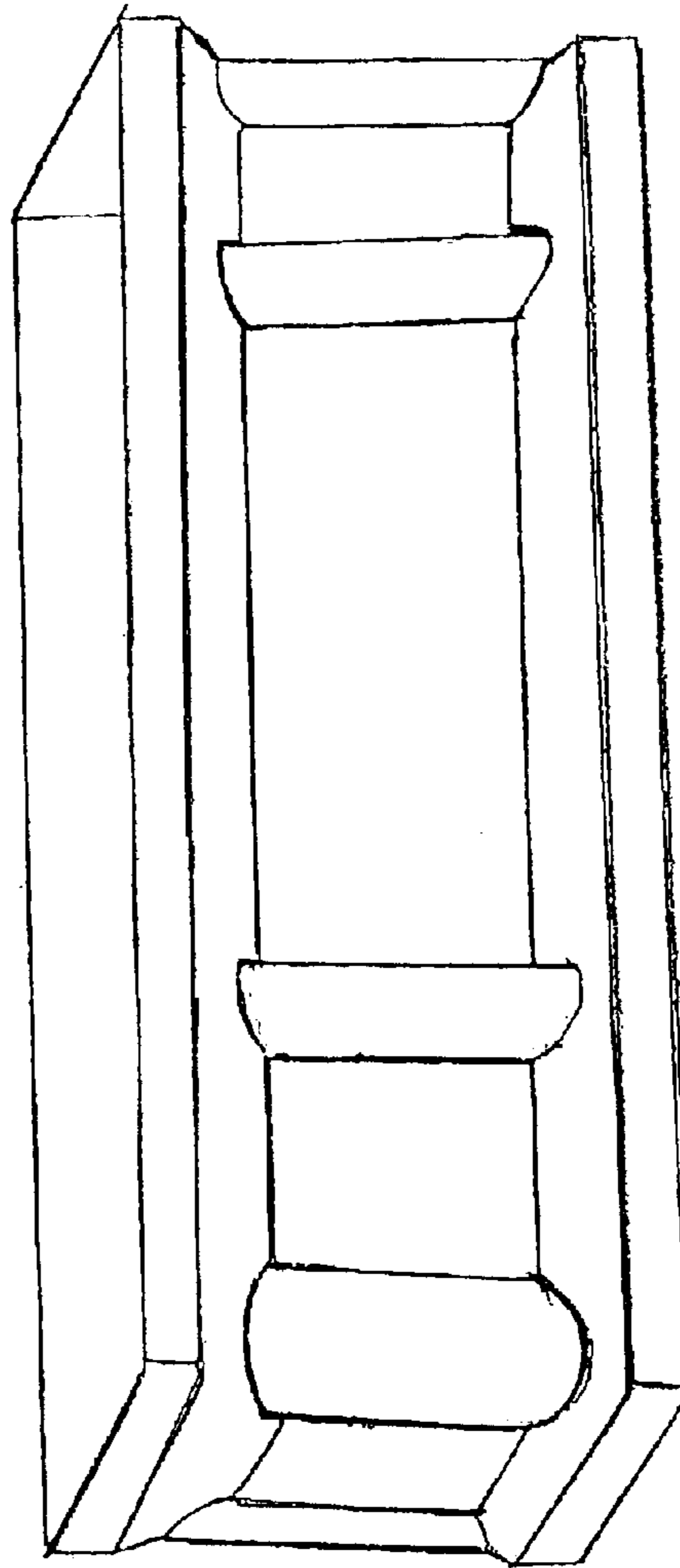
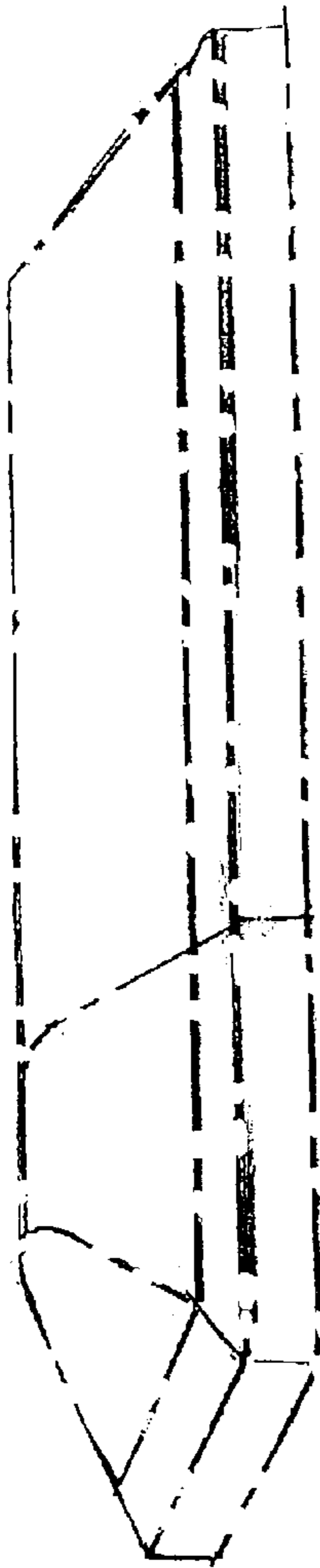


FIG. 5

UNITED STATES PATENT AND TRADEMARK OFFICE
CERTIFICATE OF CORRECTION

PATENT NO. : Des. 490,960 S
DATED : June 1, 2004
INVENTOR(S) : Rotolo

Page 1 of 7

It is certified that error appears in the above-identified patent and that said Letters Patent is hereby corrected as shown below:

Delete the title page with drawing and replace the attached title page.

Drawings,

Delete figures 1-5 and replace with the attached figures 1-5.

Signed and Sealed this

Fifteenth Day of February, 2005

A handwritten signature in black ink on a light gray dotted background. The signature reads "Jon W. Dudas" in a cursive style.

JON W. DUDAS

Director of the United States Patent and Trademark Office

(12) **United States Design Patent**
Rotolo

(10) Patent No.: **US D490,960 S**
 (45) Date of Patent: **** Jun. 1, 2004**

(54) **LOWER PORTION FOR A COFFIN**

(76) Inventor: **Nicholas Rotolo**, 903 E. Dominick St.,
 Rome, NY (US) 13440

(**) Term: **14 Years**

(21) Appl. No.: **29/180,651**

(22) Filed: **Apr. 29, 2003**

(51) **LOC (7) Cl.** **99-00**

(52) **U.S. Cl.** **D99/1**

(58) **Field of Search** **D99/1-8; 27/1-7,**
27/16, 27; 40/124.5; 52/103, 104

(56) **References Cited**

U.S. PATENT DOCUMENTS

2,327,949 A *	8/1943	West	27/3
2,372,412 A *	3/1945	Wallace	27/6
2,431,183 A *	11/1947	Mansfield	27/3
D400,683 S *	11/1998	Saaf et al.	D99/1
6,154,938 A *	12/2000	Lajeunesse et al.	27/2
6,317,942 B1 *	11/2001	Hankel et al.	27/2
6,324,736 B1 *	12/2001	Atrio	27/2

* cited by examiner

Primary Examiner—Paula A. Mortimer
(74) Attorney, Agent, or Firm—David Giglio

(57) **CLAIM**

I claim an ornamental design for a lower portion for a coffin, as shown and described.

DESCRIPTION

FIG. 1 is a top, front perspective view, with certain elements not being claimed shown in broken line, showing my new design;

FIG. 2 is a top, front perspective view of my design for a coffin showing the top and two sides;

FIG. 3 is a rear perspective view of my design for the coffin showing the top and the rear sides with the front having a mirror image;

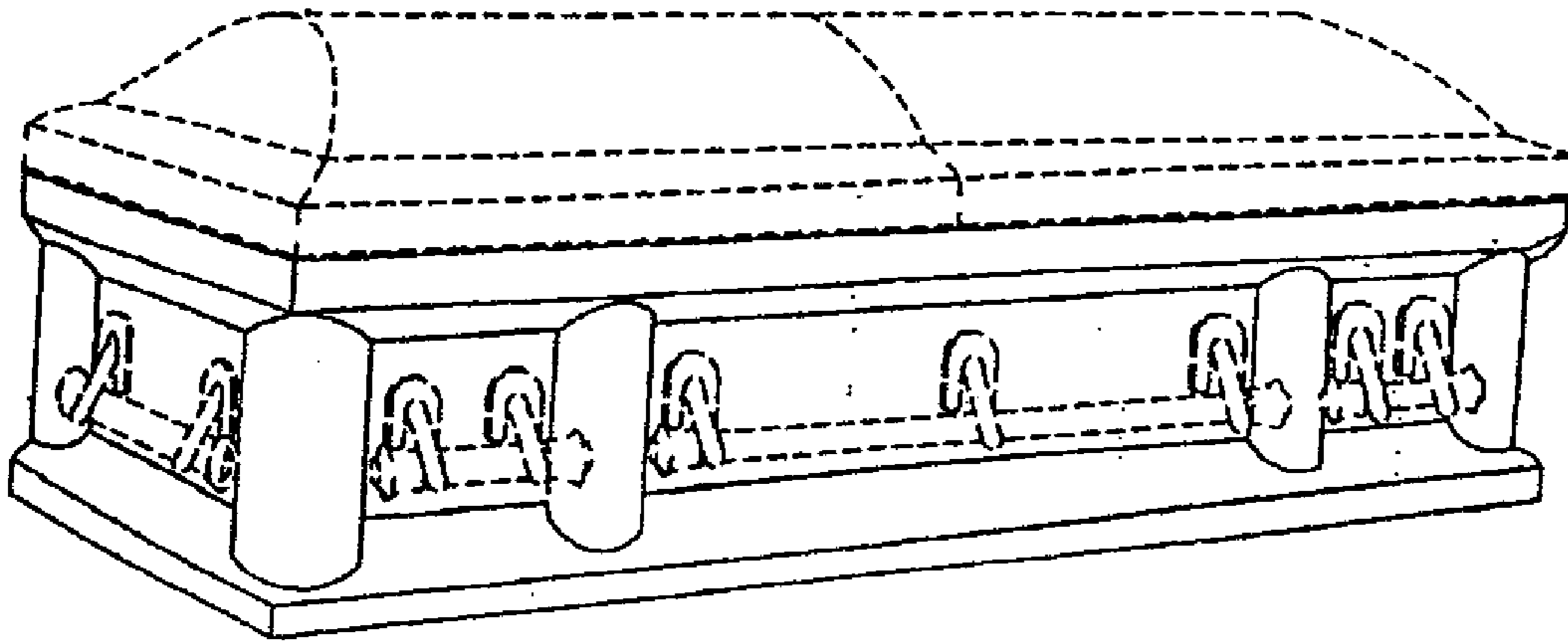
FIG. 4 is a side perspective view of my design showing the top and a side with other side being a mirror image; and,

FIG. 5 is an exploded top, rear perspective view of my design for my coffin showing the top and two sides.

The bottom of the coffin is unornamented.

The broken lines shown in FIGS. 1 through 5 are for illustrative purposes only and form no part of the claimed design.

1 Claim, 5 Drawing Sheets



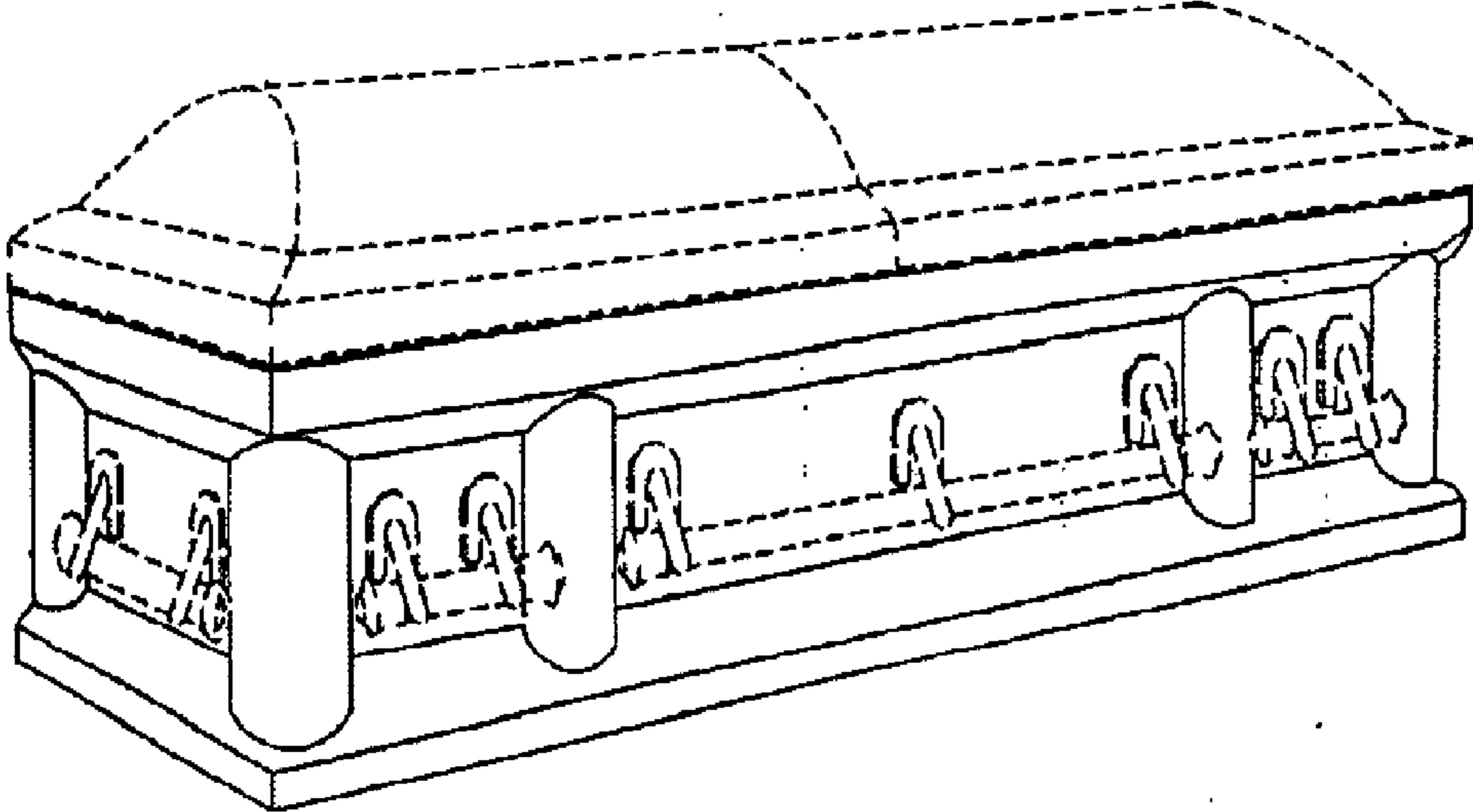


FIG. 1

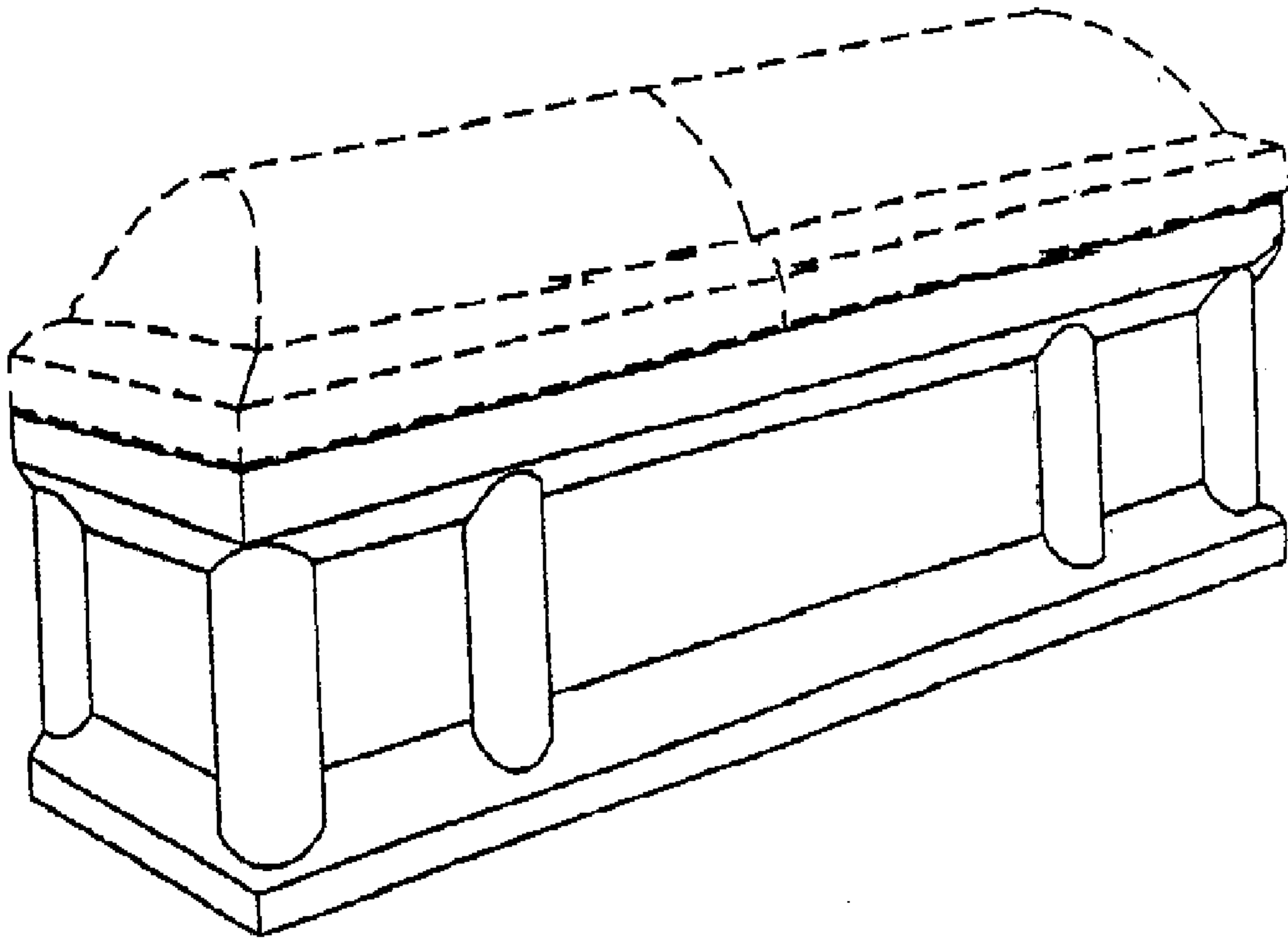


FIG. 2

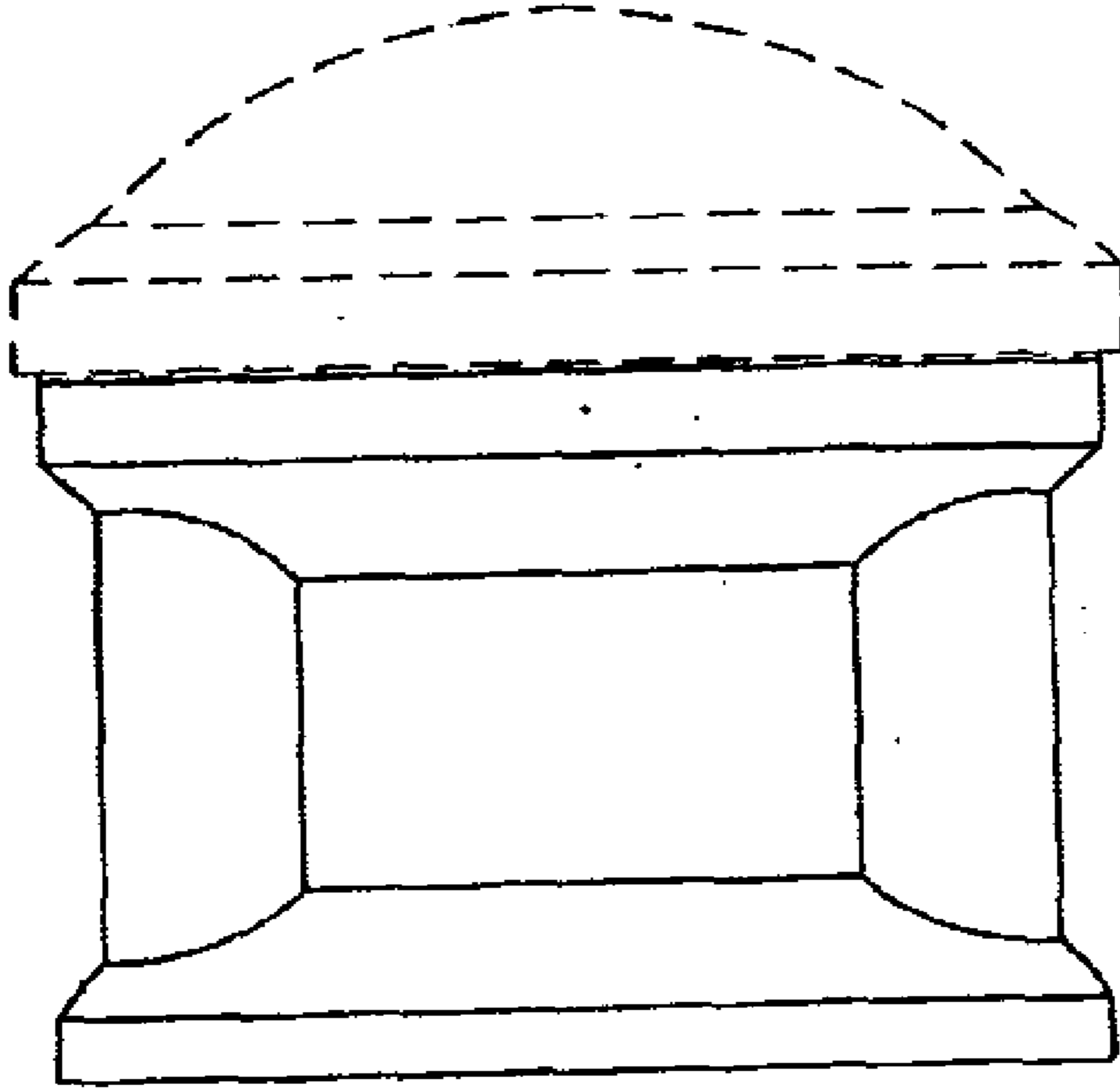


FIG. 3

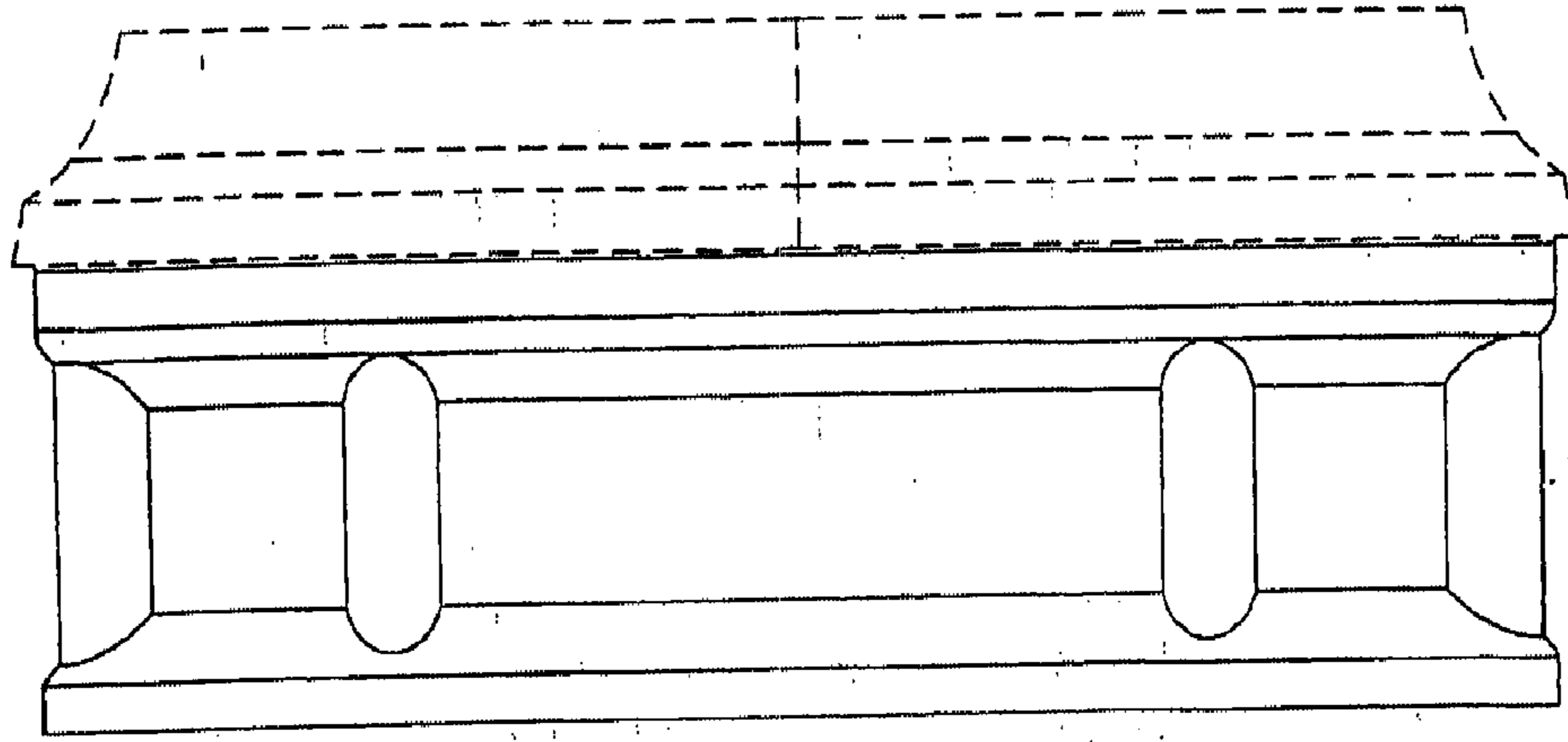


FIG. 4

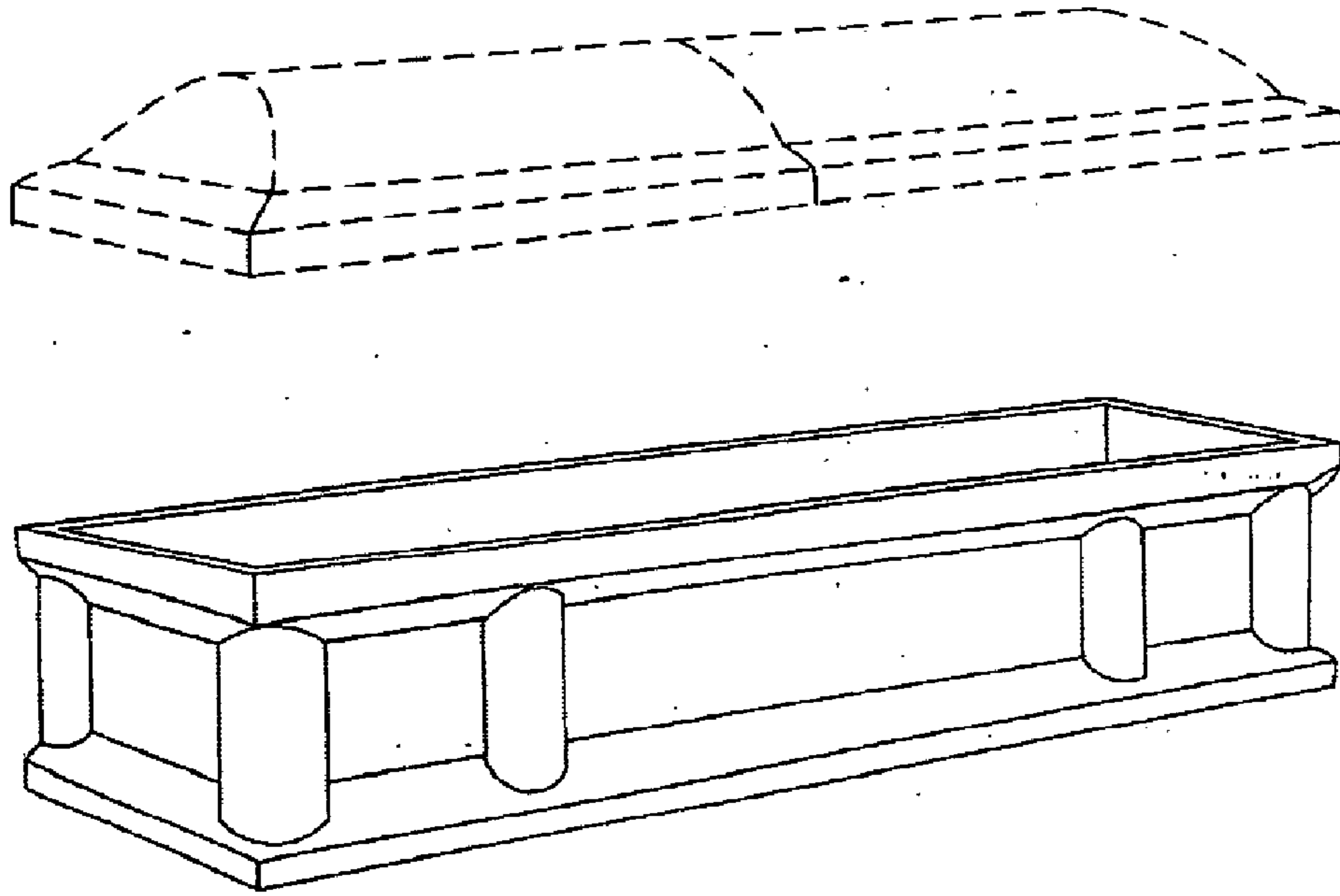


FIG. 5