



US00D490958S

(12) **United States Design Patent**
Koza

(10) **Patent No.:** **US D490,958 S**

(45) **Date of Patent:** **** Jun. 1, 2004**

(54) **CHARCOAL CONTAINER WITH COVER**

D358,240 S * 5/1995 Mosior D34/7
D368,349 S * 3/1996 Skold D34/1

(76) Inventor: **John P. Koza**, 13548 S. Burley Ave.,
Chicago, IL (US) 60633

* cited by examiner

(**) Term: **14 Years**

Primary Examiner—Cynthia E. Ramirez

(21) Appl. No.: **29/183,403**

(57) **CLAIM**

(22) Filed: **Jun. 12, 2003**

The ornamental design for a charcoal container with cover,
as shown and described.

(51) **LOC (7) Cl.** **09-02**

DESCRIPTION

(52) **U.S. Cl.** **D34/39**

(58) **Field of Search** D34/1, 4, 5, 6,
D34/7, 8, 9, 10, 11, 39; 220/908, 909, 910,
911, 500

FIG. 1 is a front view of a charcoal container with cover
showing my new design;

FIG. 2 is a back view of the charcoal container with cover;

FIG. 3 is a side view of the charcoal container with cover;

FIG. 4 is a top view of the charcoal container with cover;

FIG. 5 is a bottom view of the charcoal container with cover;

and,

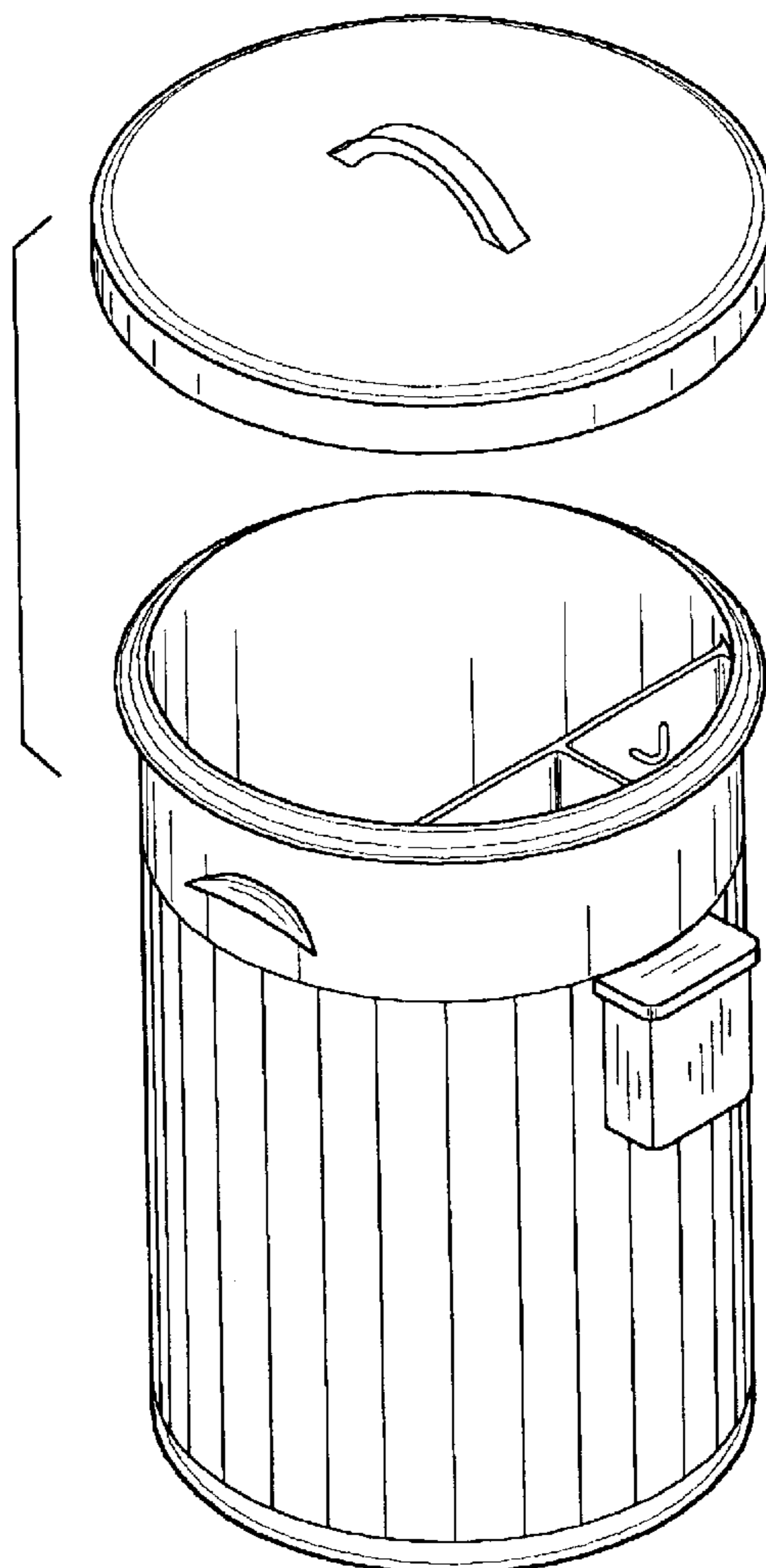
FIG. 6 is a perspective view of the charcoal container with
cover.

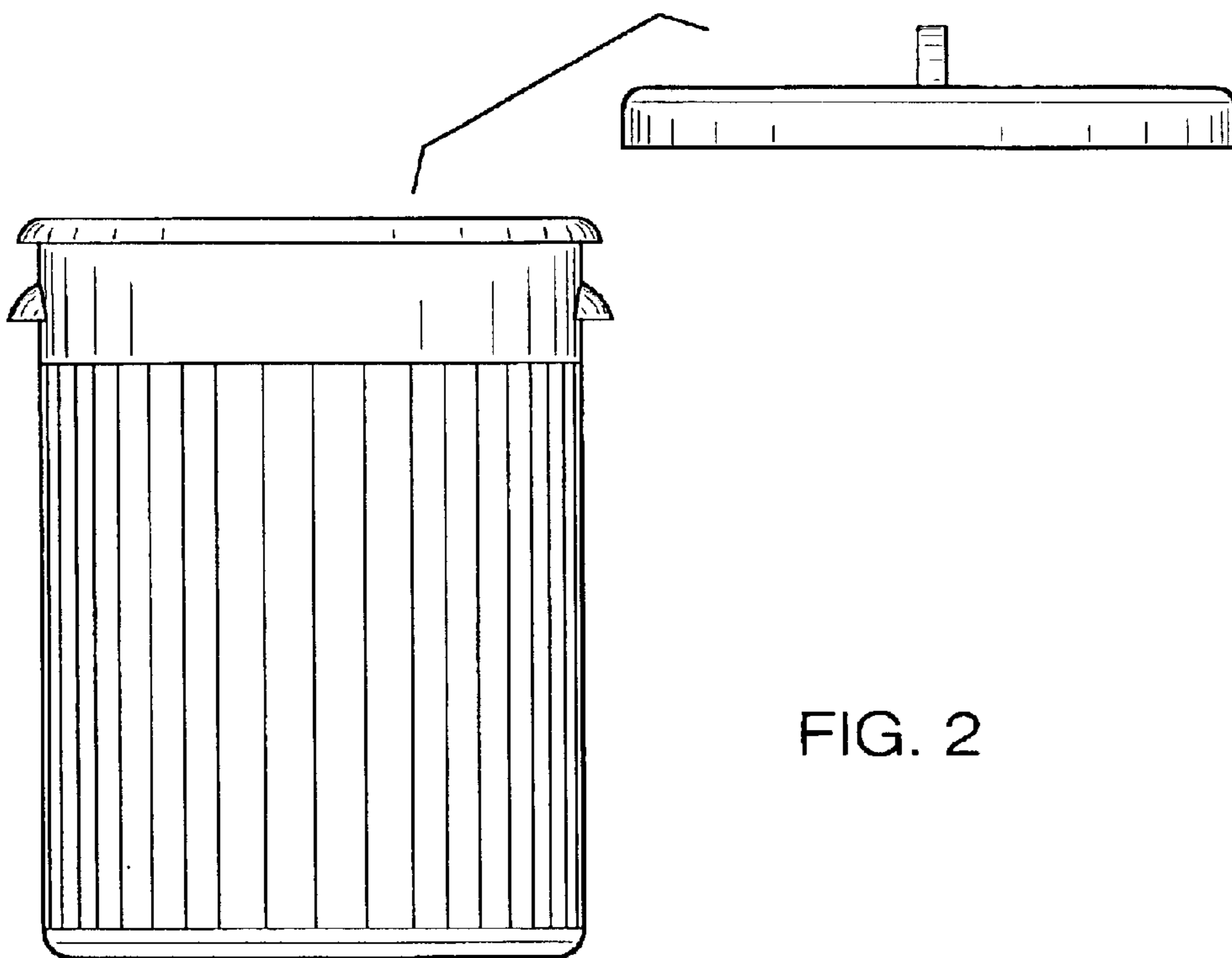
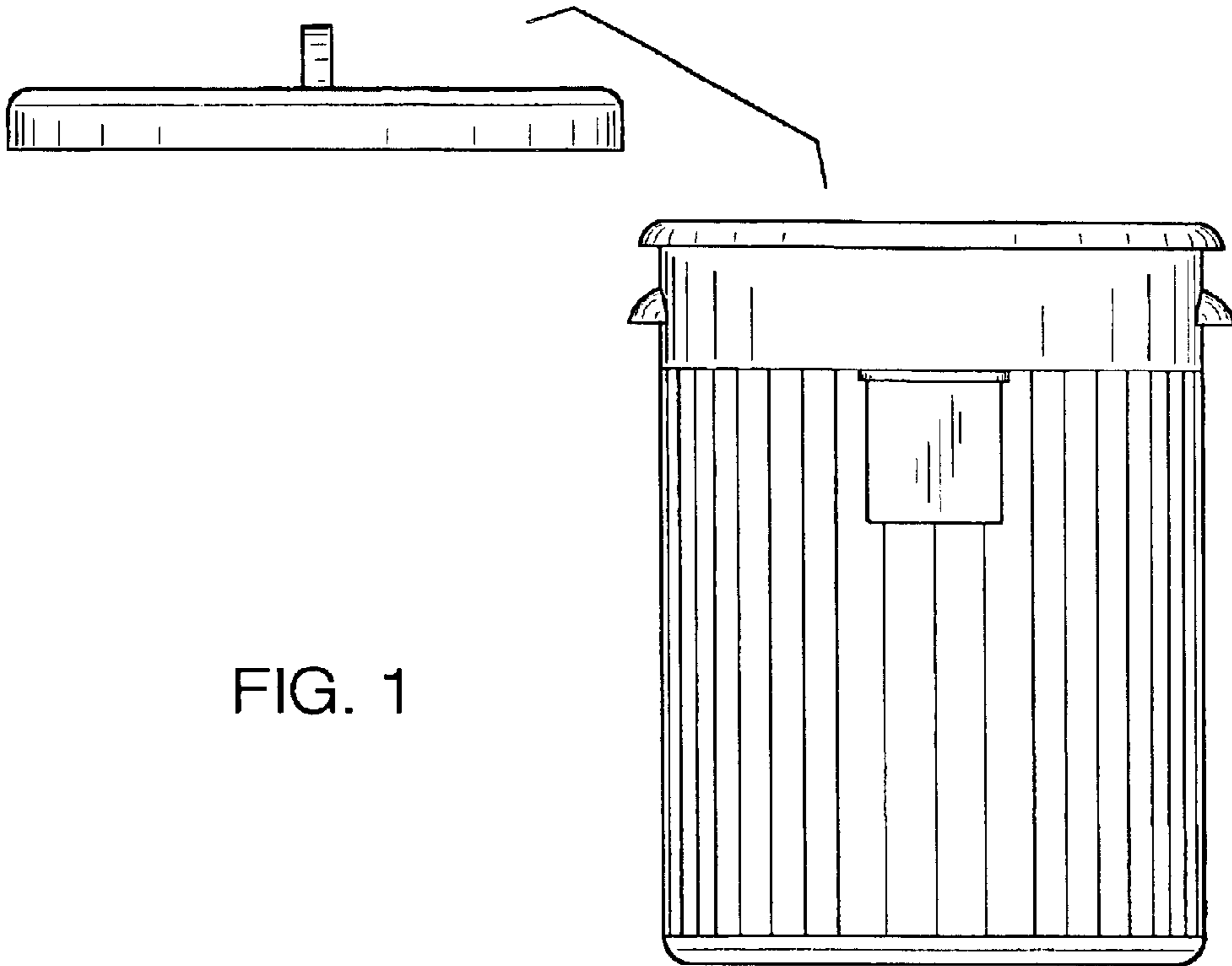
(56) **References Cited**

U.S. PATENT DOCUMENTS

2,907,491 A * 10/1959 Gunn 220/298
D205,737 S * 9/1966 Braught D34/7
4,279,357 A * 7/1981 Robinson 220/318
D355,511 S * 2/1995 Cassel D34/1

1 Claim, 3 Drawing Sheets





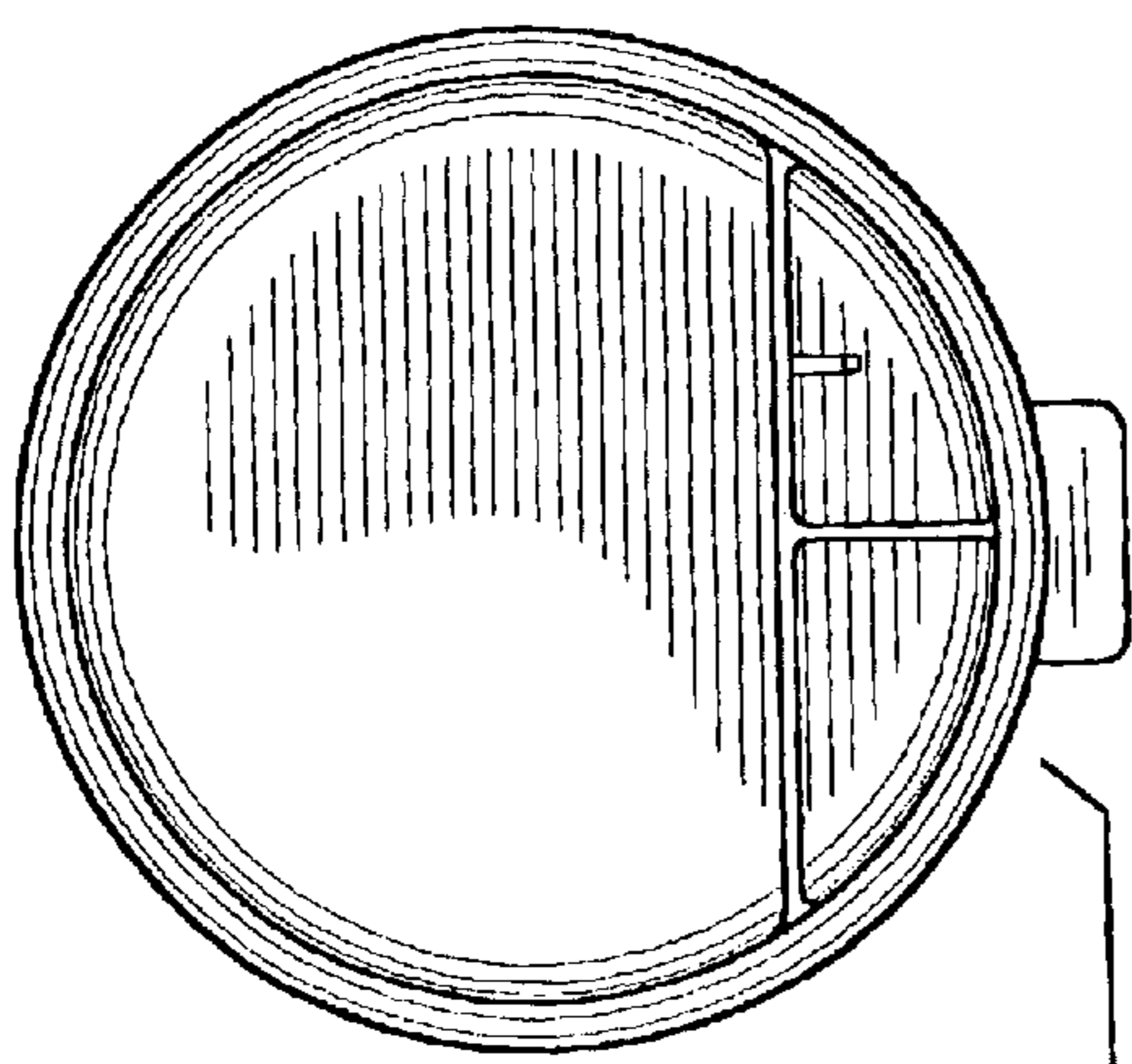


FIG. 4

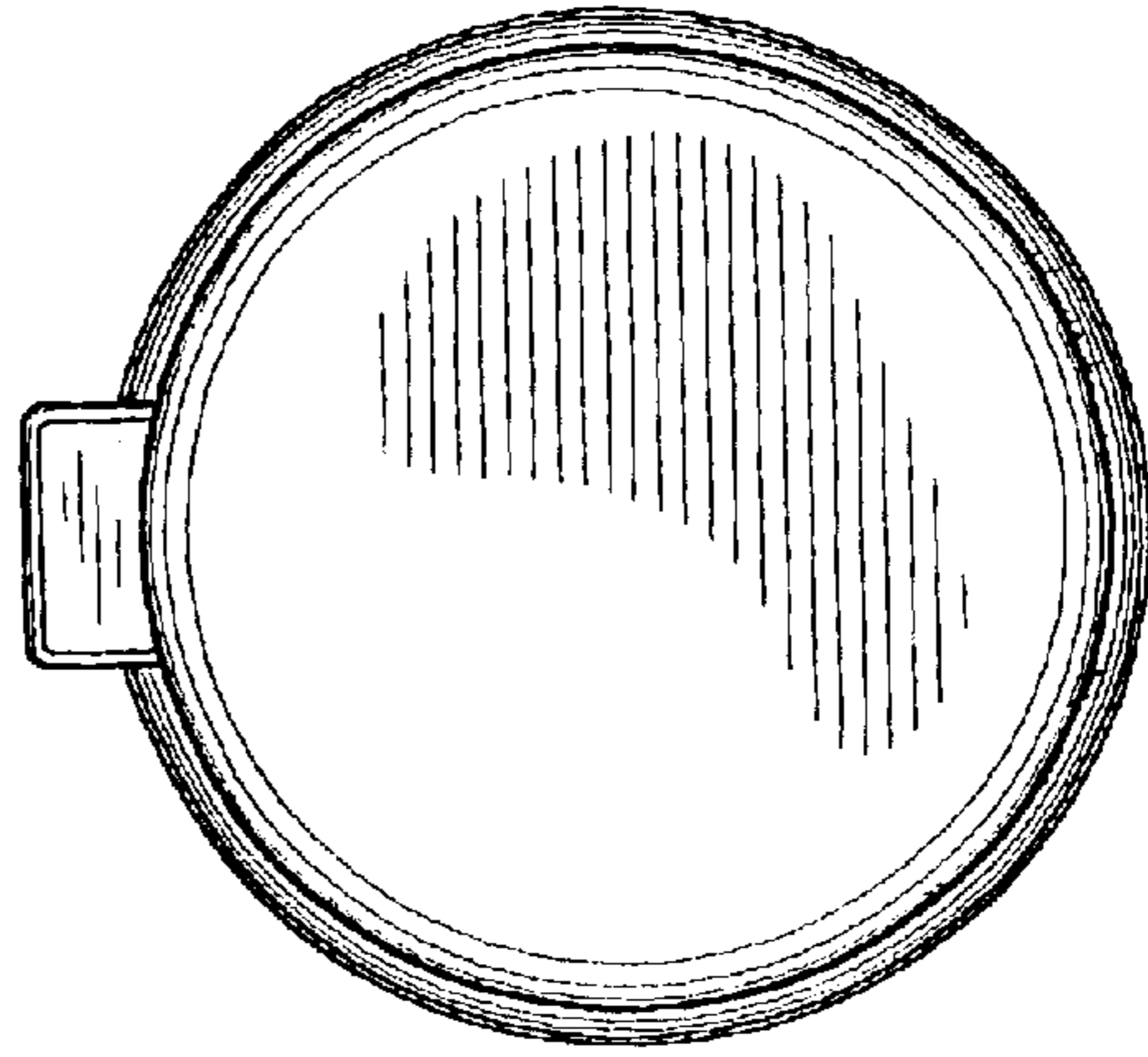


FIG. 5

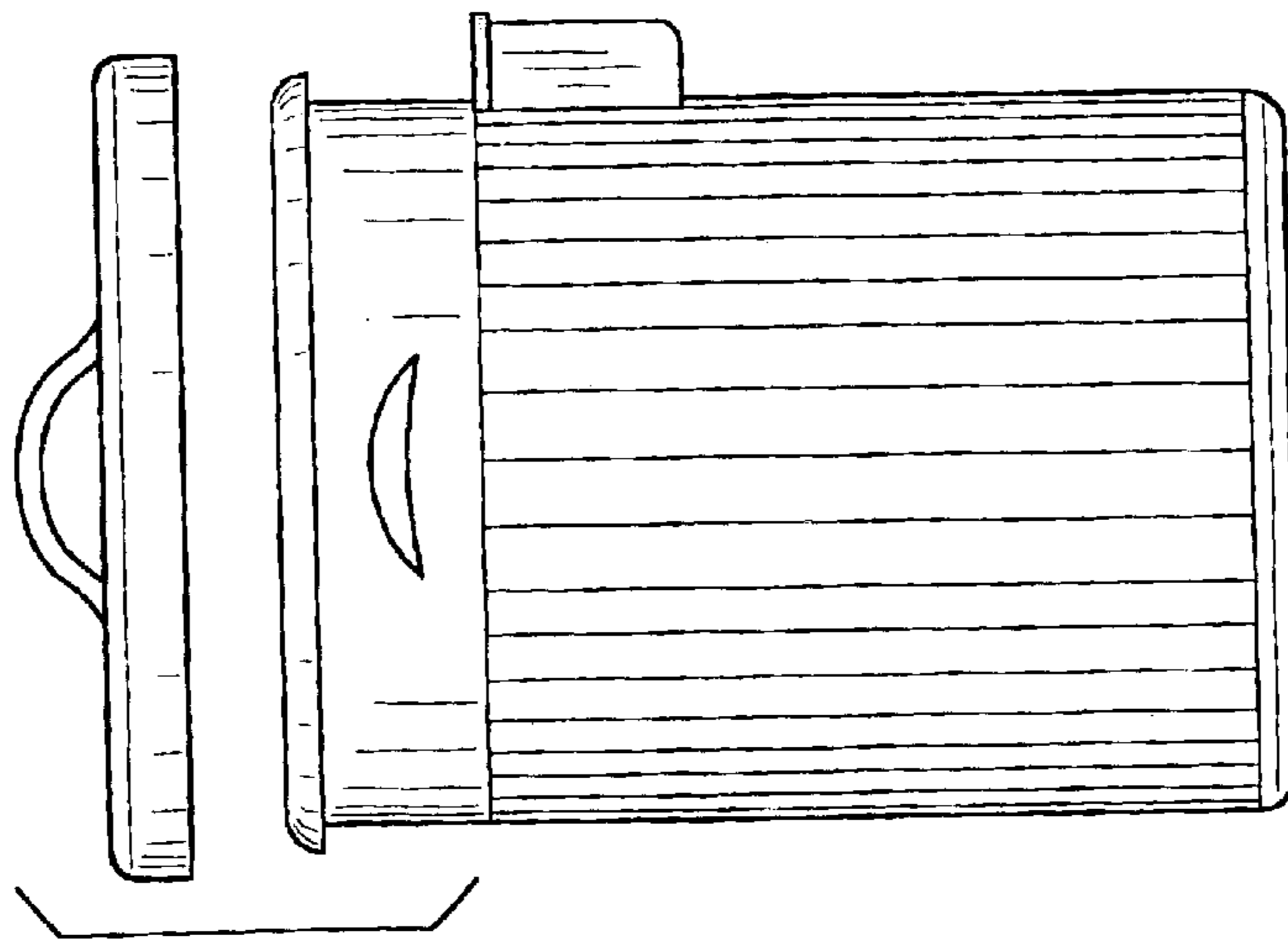
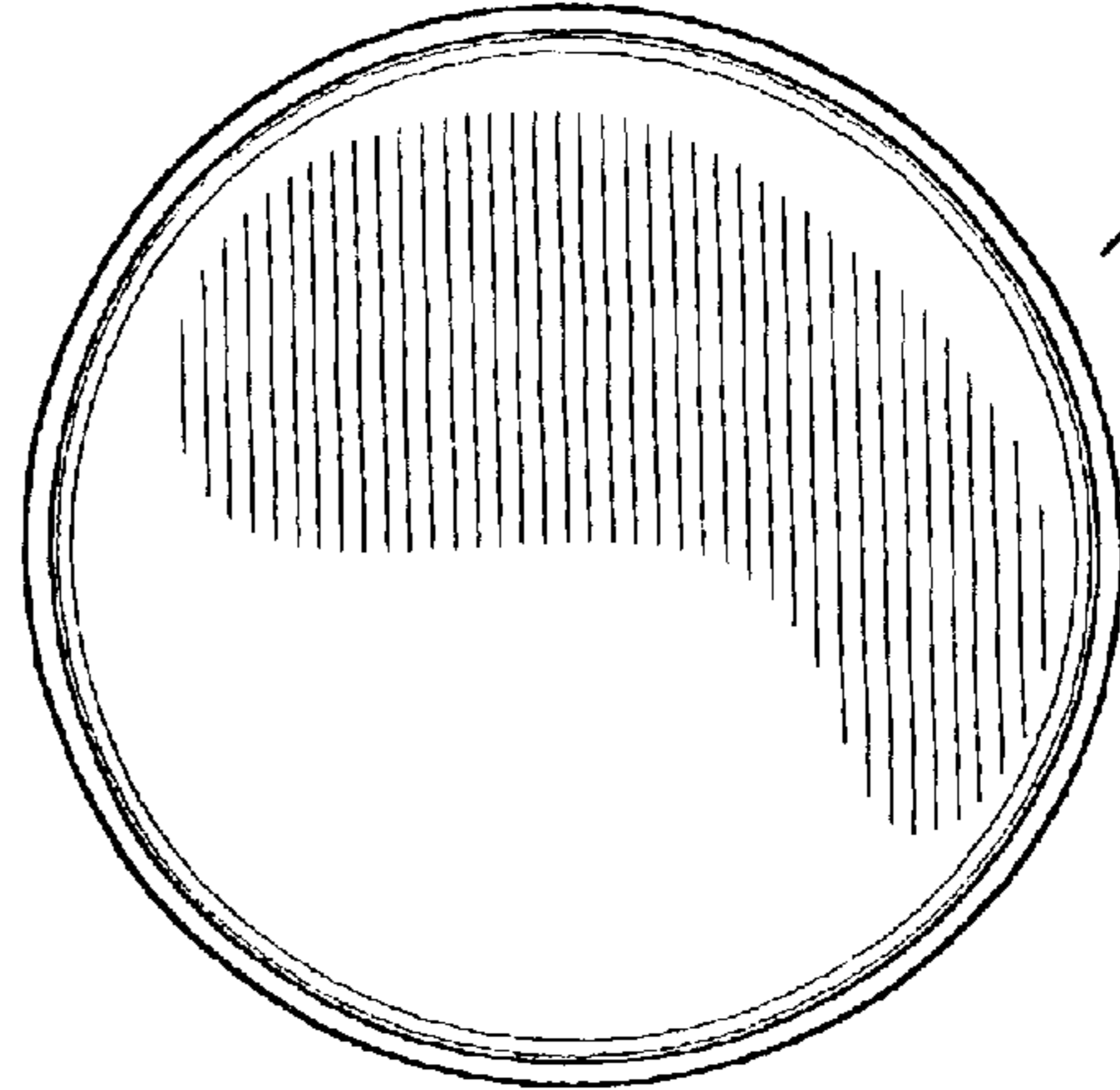
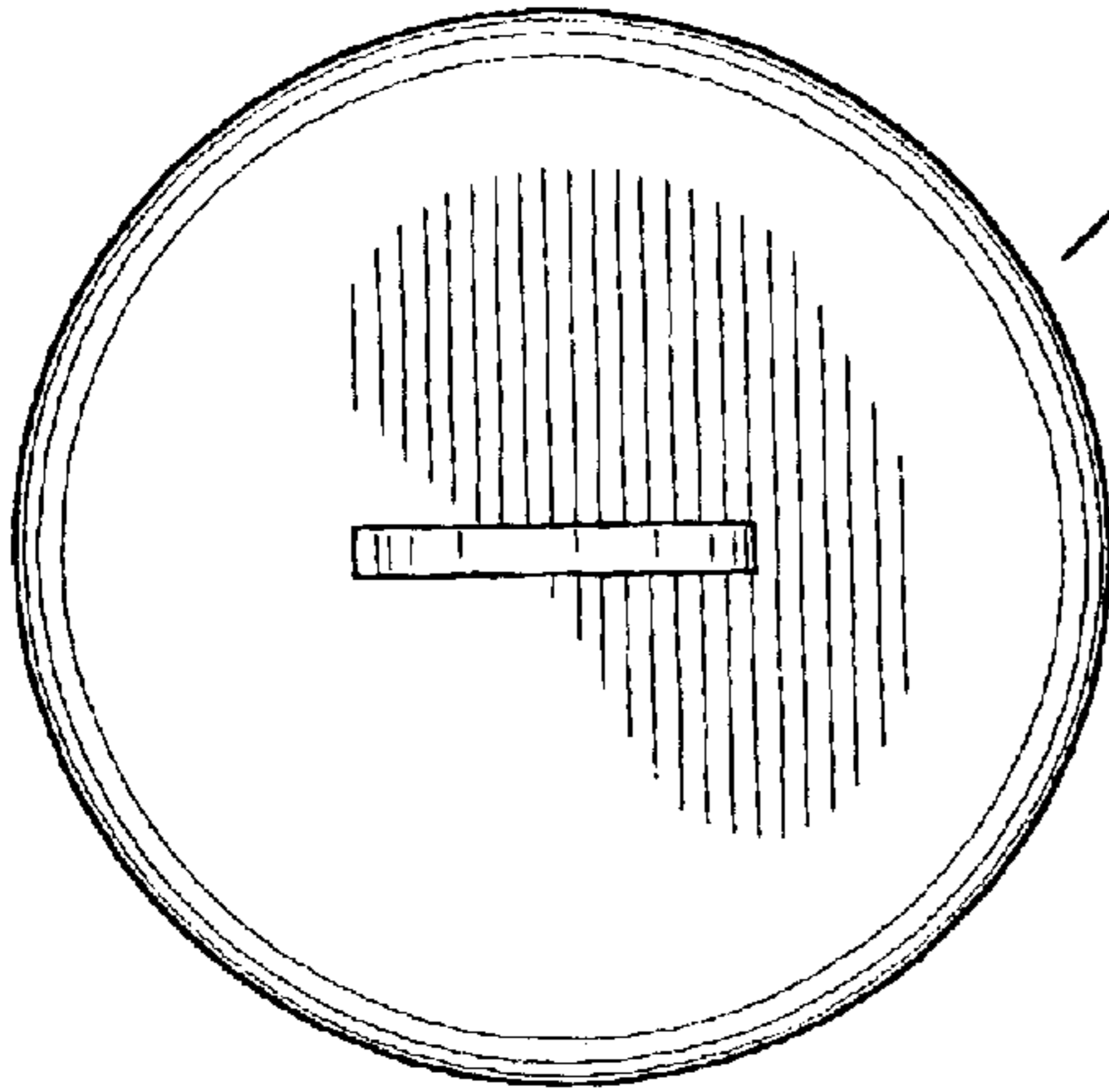


FIG. 3

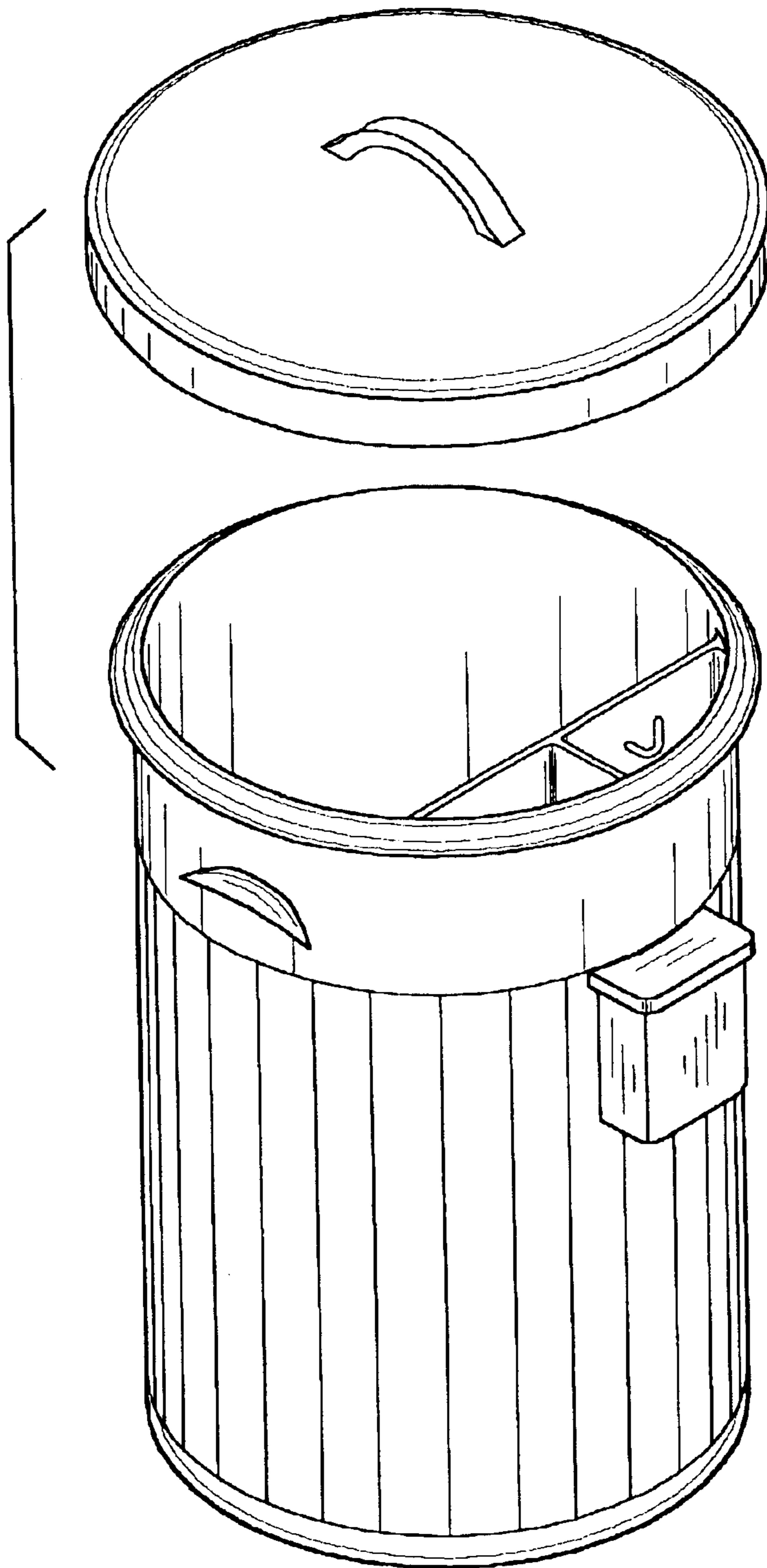


FIG. 6