



US00D490956S

(12) **United States Design Patent**
Sansevero et al.

(10) **Patent No.:** **US D490,956 S**

(45) **Date of Patent:** **** Jun. 1, 2004**

(54) **ESCALATOR DECKING**

Primary Examiner—Cynthia E. Ramirez

(75) Inventors: **Frank Sansevero**, Glastonbury, CT (US); **Thomas Swyst**, Arlington, MA (US); **Bernward Engelke**, Hildesheim (DE); **Andreas Vogt**, Wolpinghause (DE)

(57) **CLAIM**

The ornamental design for an escalator decking, as shown and described.

(73) Assignee: **Otis Elevator Company**, Farmington, CT (US)

DESCRIPTION

(**) Term: **14 Years**

FIG. 1 is a perspective view of an escalator showing a new design for escalator decking as shown in full lines; portions shown in broken lines form no part of the design;

(21) Appl. No.: **29/161,524**

FIG. 2 is a sectional view of the incline portion of the right side of the escalator decking of my new design, the left side being a mirror image thereof;

(22) Filed: **May 31, 2002**

FIG. 3 is a view taken along the line 3—3 of FIG. 2 showing the outer side of the incline portion thereof;

(51) **LOC (7) Cl.** **12-05**

FIG. 4 is a view taken along the line 4—4 of FIG. 2 showing the inner side of the incline portion thereof;

(52) **U.S. Cl.** **D34/30**

FIG. 5 is a view taken along the line 5—5 of FIG. 3 showing the top view of the incline portion thereof;

(58) **Field of Search** D34/28, 30; 198/332, 198/336

FIG. 6 is a sectional view taken at line 6a—6a or 6b—6b of the curved portions of the right side of the escalator decking of my new design, the left side being a mirror image thereof; and,

(56) **References Cited**

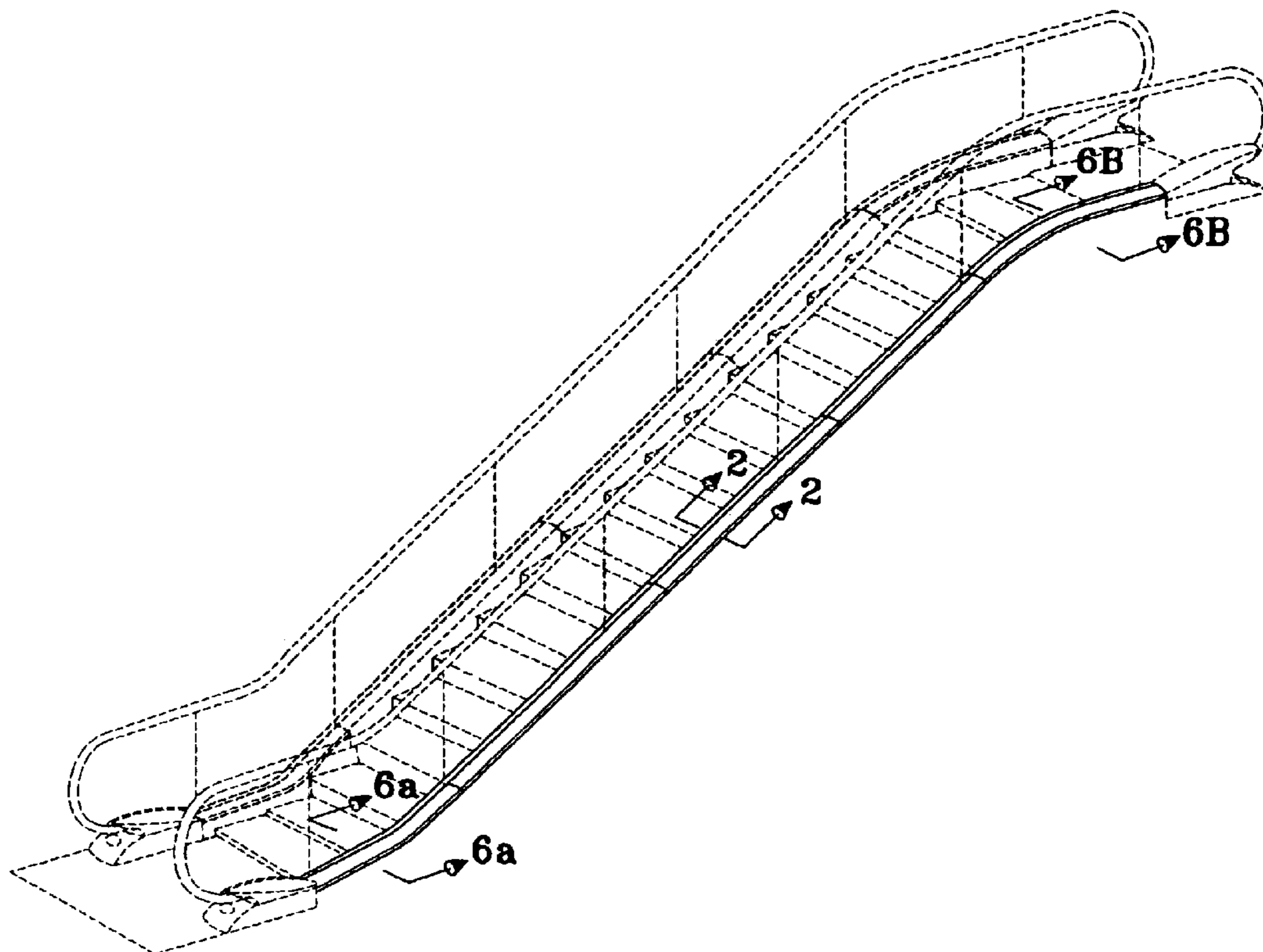
U.S. PATENT DOCUMENTS

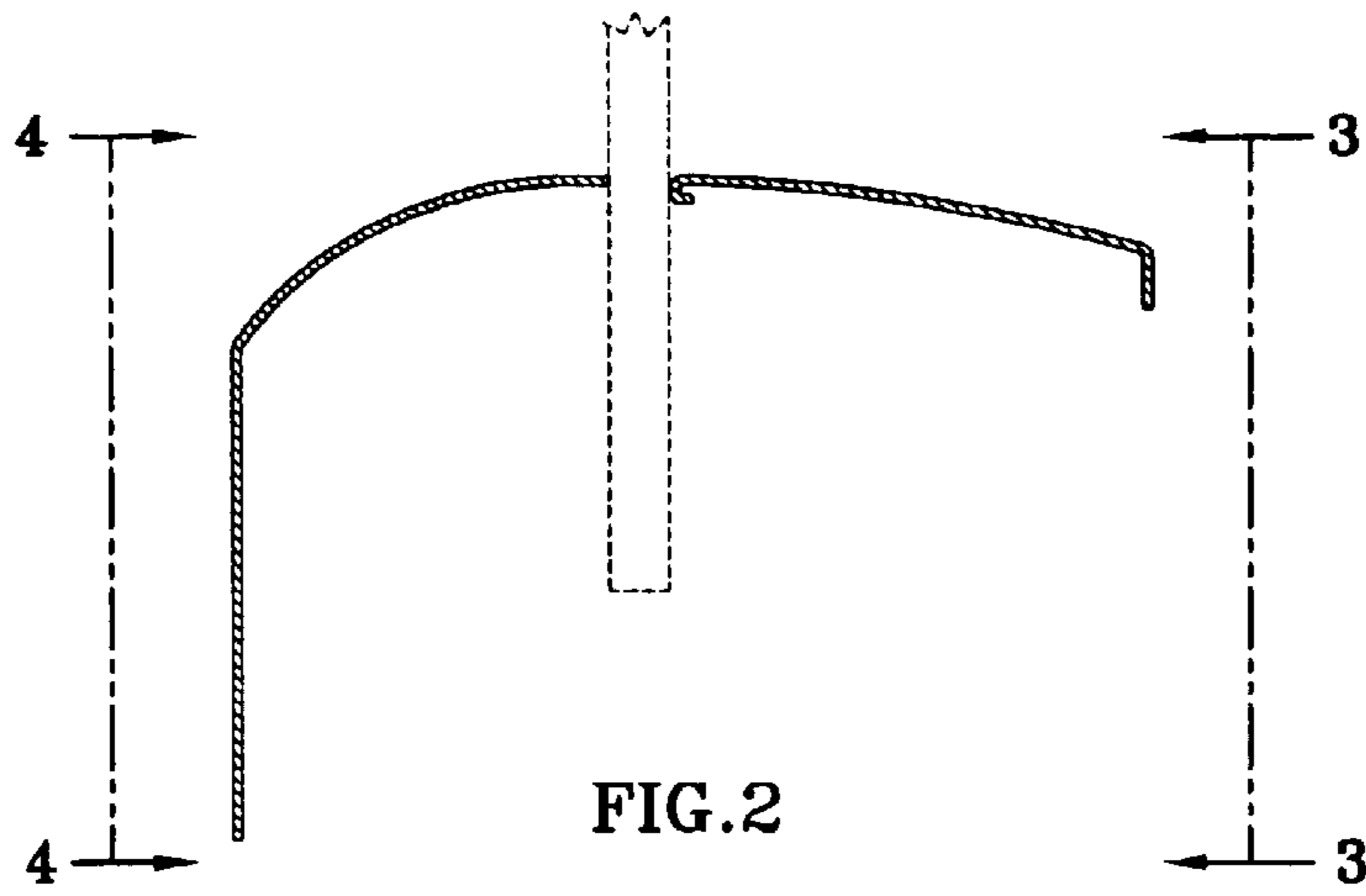
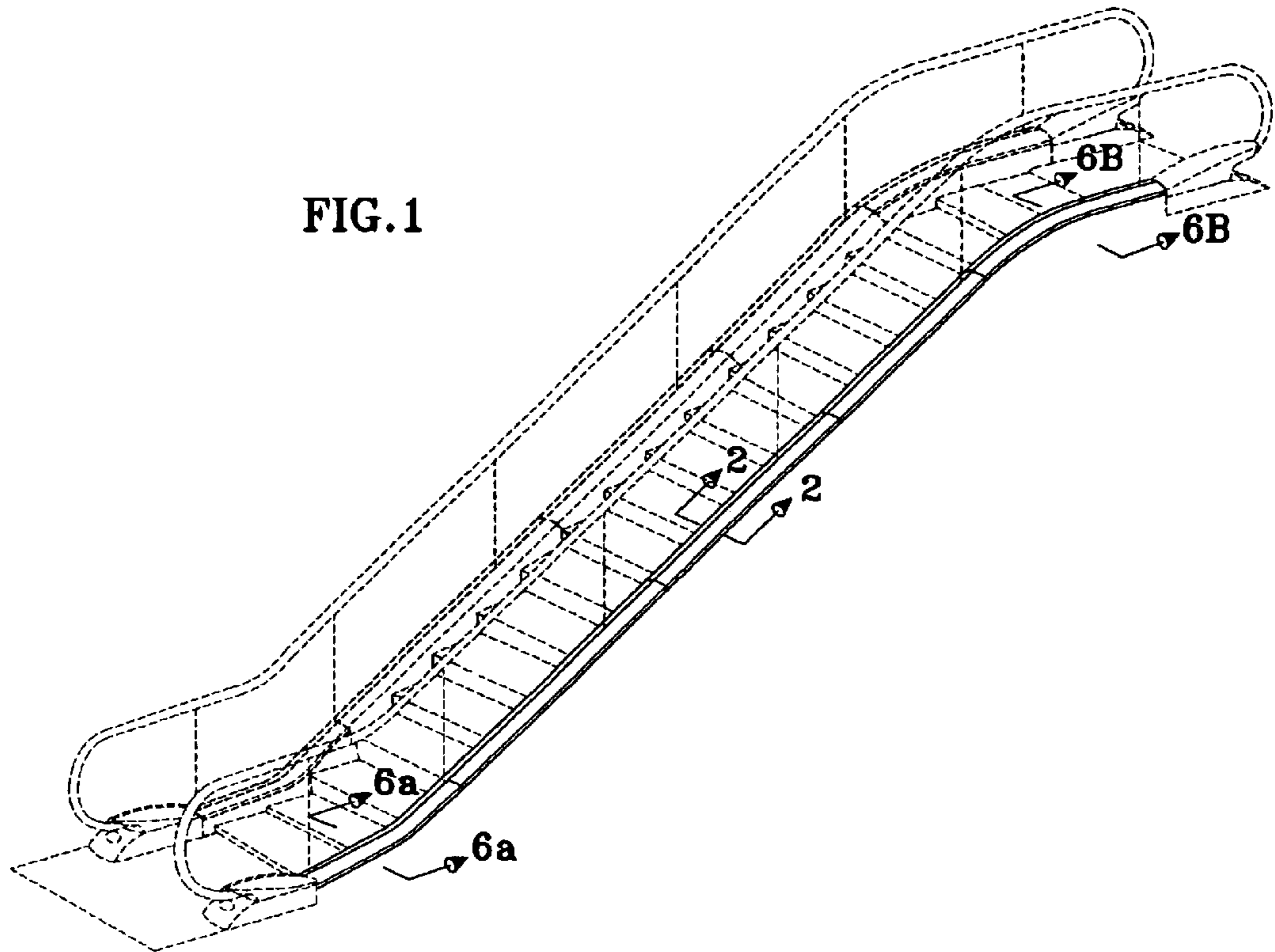
3,144,118 A	*	8/1964	Fabula	198/332
D201,748 S	*	7/1965	Grady	D34/28
D327,558 S	*	6/1992	Giugiaro	D34/28

FIG. 7 is a view taken along the line 7—7 of FIG. 6 showing the inner side thereof, the outer side and top, although having a curved portion, are identical to FIGS. 3 and 5.

* cited by examiner

1 Claim, 3 Drawing Sheets





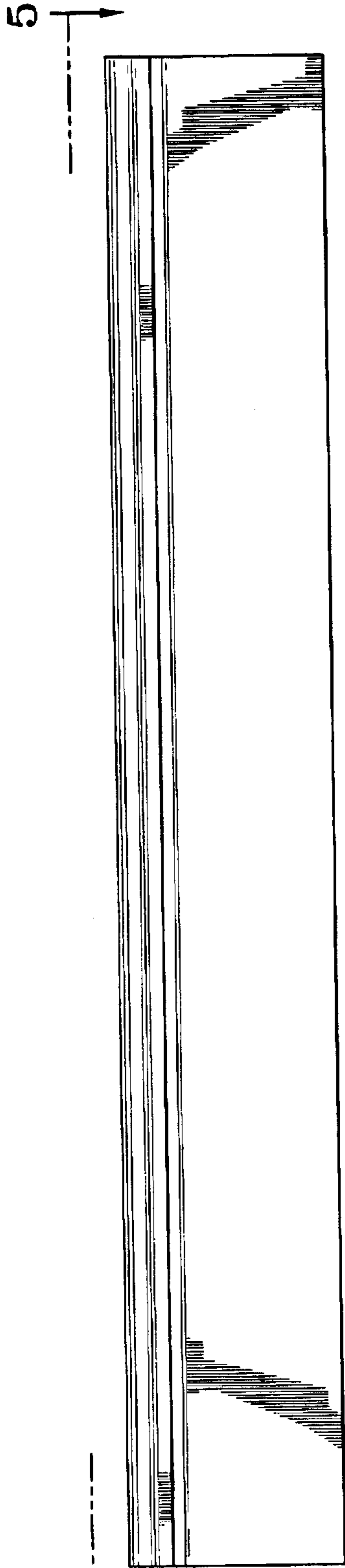


FIG. 3

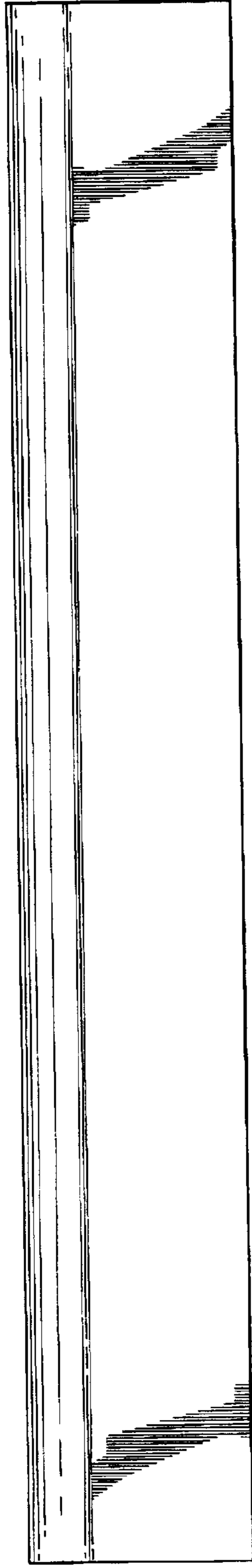


FIG. 4

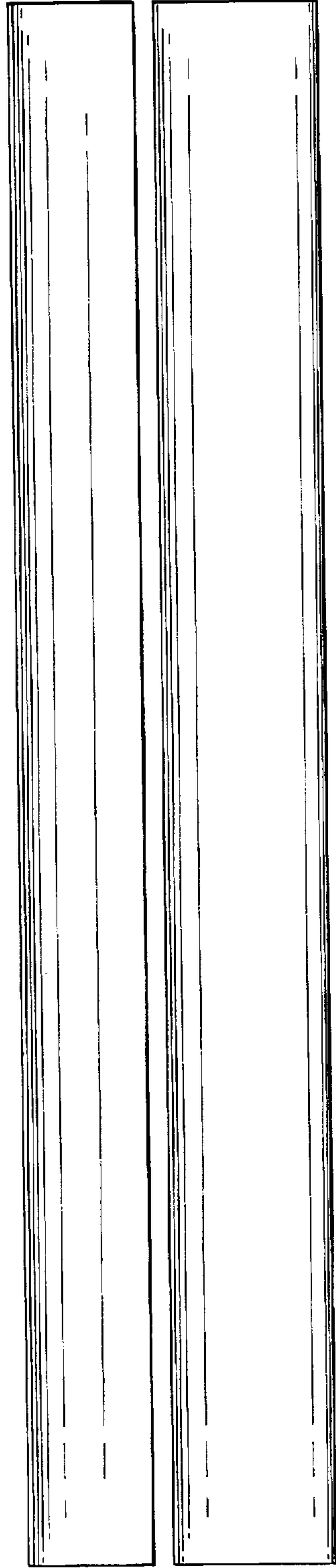


FIG. 5

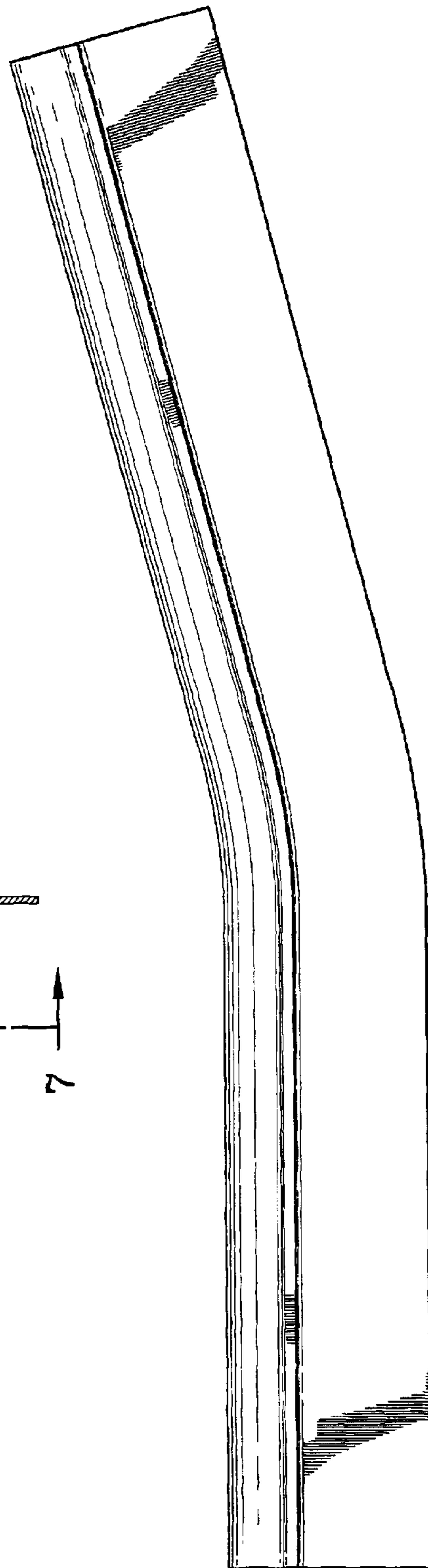
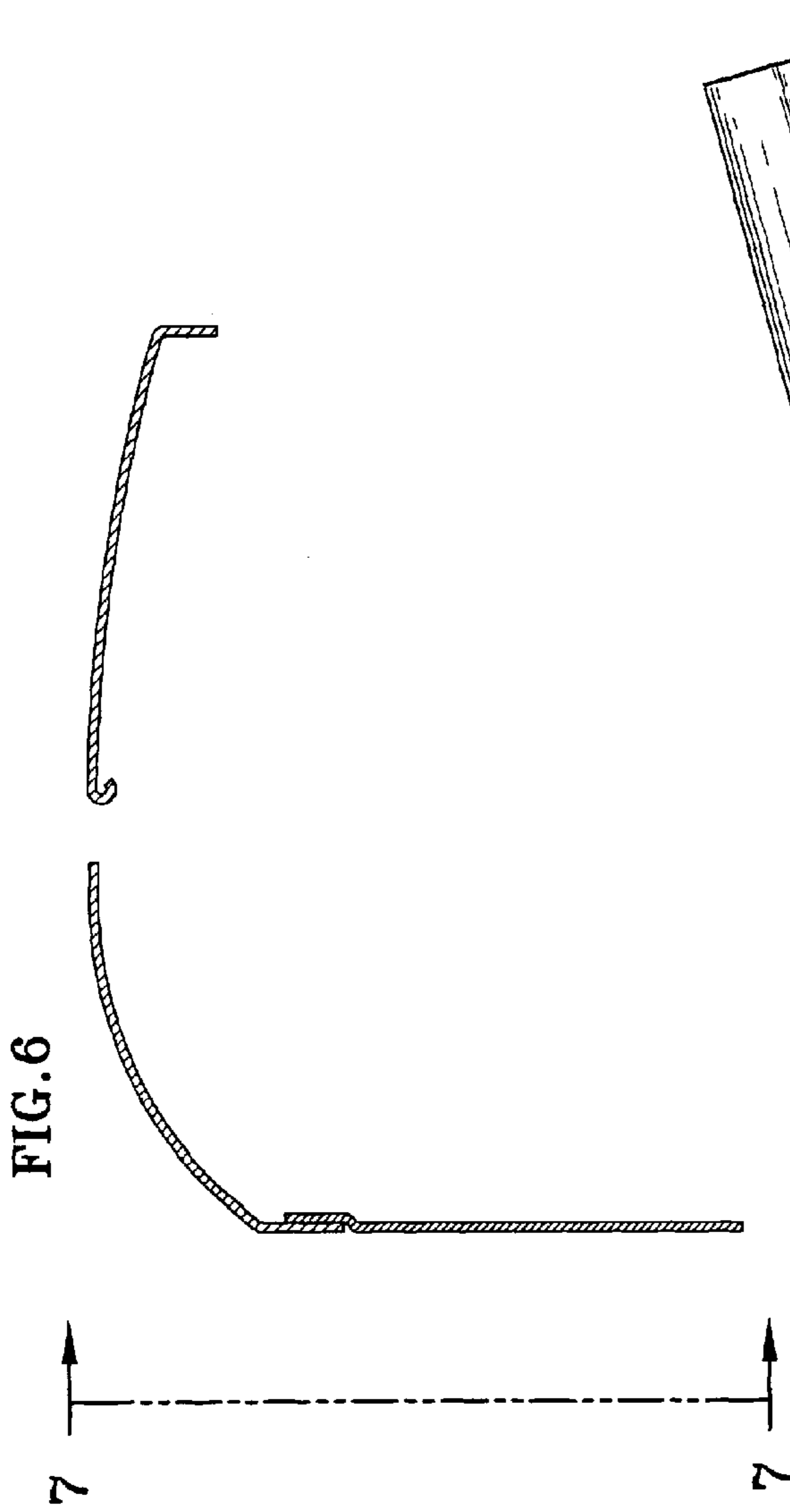


FIG. 7