



US00D490955S

(12) **United States Design Patent**
Halsall

(10) **Patent No.:** **US D490,955 S**

(45) **Date of Patent:** **** Jun. 1, 2004**

(54) **TRANSPORTER**

(76) Inventor: **Kevin Thomas Halsall**, 68 Te Rauparaha Street, Otaki (NZ)

(**) Term: **14 Years**

(21) Appl. No.: **29/160,691**

(22) Filed: **May 15, 2002**

(30) **Foreign Application Priority Data**

Feb. 14, 2002 (NZ) 402217

(51) **LOC (7) Cl.** **12-02**

(52) **U.S. Cl.** **D34/24; D34/12**

(58) **Field of Search** D34/12-27; 280/47.331, 280/414.1, 204, 47.24, 47.27, 47.28, 47.29, 40, 652

(56) **References Cited**

U.S. PATENT DOCUMENTS

5,035,437	A	*	7/1991	Woodward	280/40
D330,960	S	*	11/1992	Roberson	D34/26
5,176,394	A	*	1/1993	Veazey	280/414.2
D427,407	S	*	6/2000	Witt	D34/24
6,142,491	A	*	11/2000	Darling, III	280/30
D459,852	S	*	7/2002	Och	D34/26

* cited by examiner

Primary Examiner—Kay H. Chin

(74) *Attorney, Agent, or Firm*—David C. Jenkins; Eckert Seamans Cherin & Mellott, LLC

(57) **CLAIM**

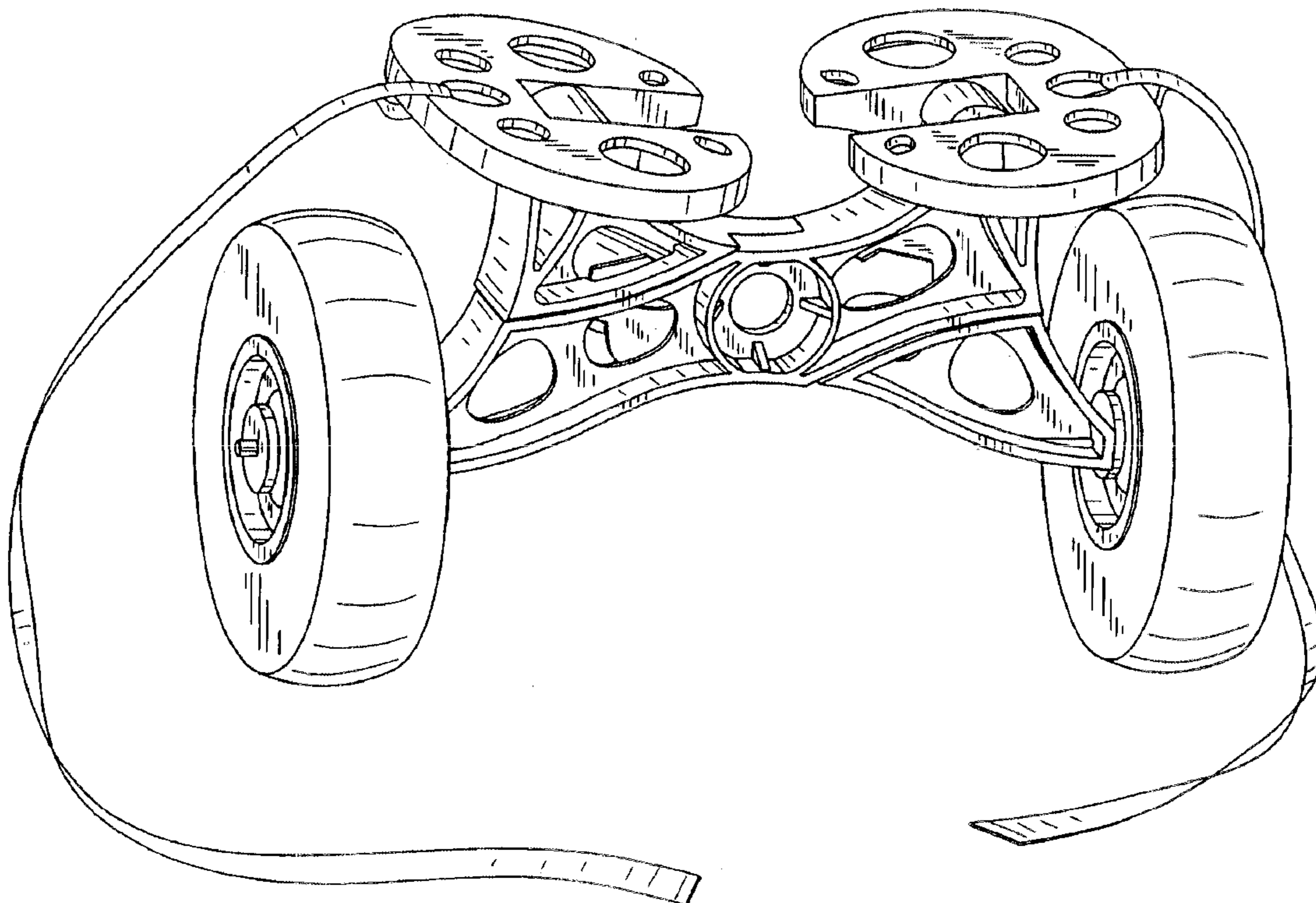
The ornamental design for a transporter, as shown and described.

DESCRIPTION

FIG. 1 is an outer side perspective view of the seat component of the transporter showing my new design;
 FIG. 2 is a plan view of the interlocking support components of the transporter;
 FIG. 3 is a perspective view of FIG. 2;
 FIG. 4 is a front view of the transporter;
 FIG. 5 is a perspective view of FIG. 4;
 FIG. 6 is a side elevation view of the transporter without straps and wheels attached;
 FIG. 7 is a perspective view of FIG. 6; and,
 FIG. 8 is an inner side perspective view of the seat components of the transporter.

The seat components and interlocking support components of the transporter are shown separately for clarity of illustration.

1 Claim, 6 Drawing Sheets



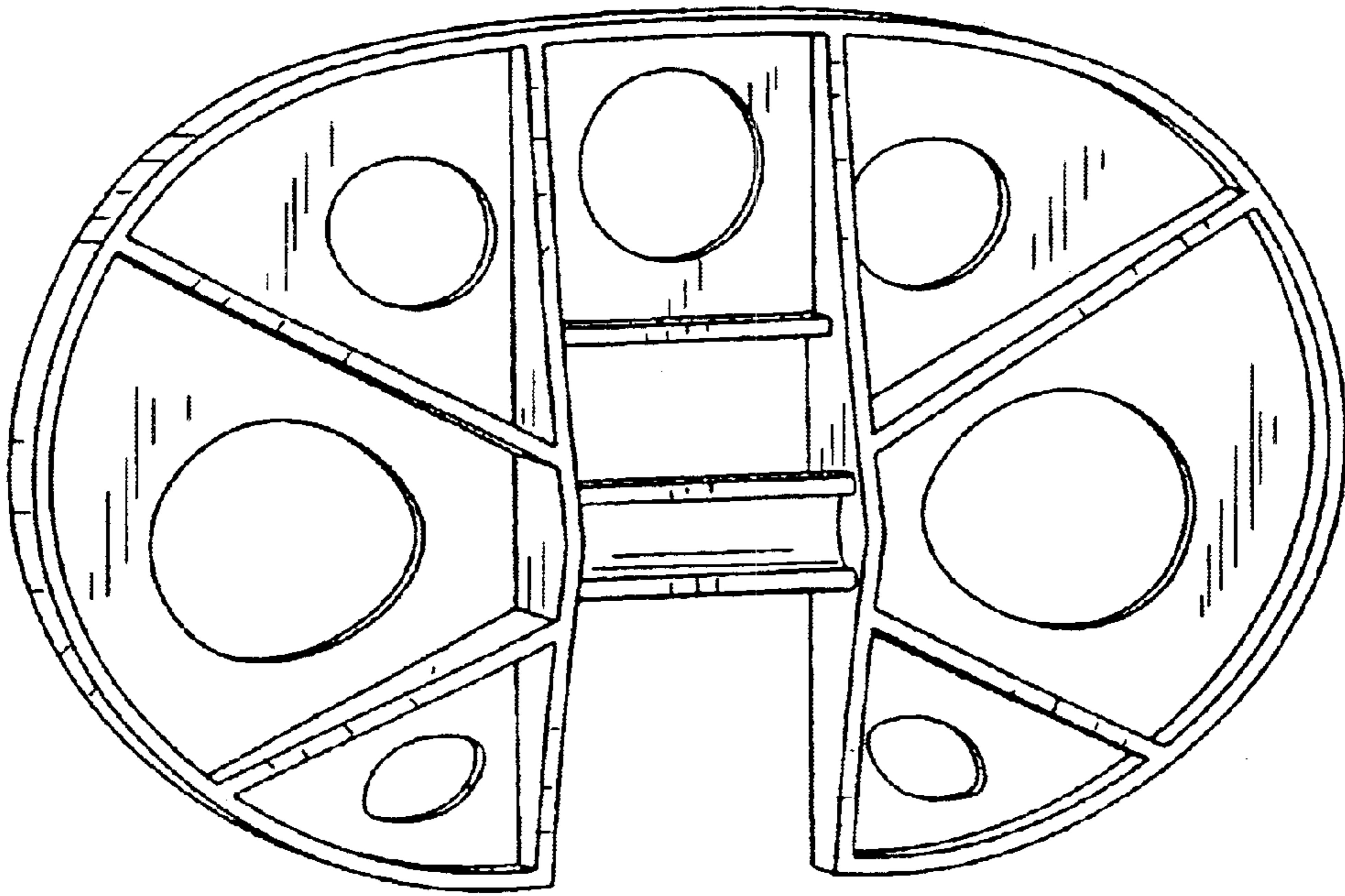


FIG. 8

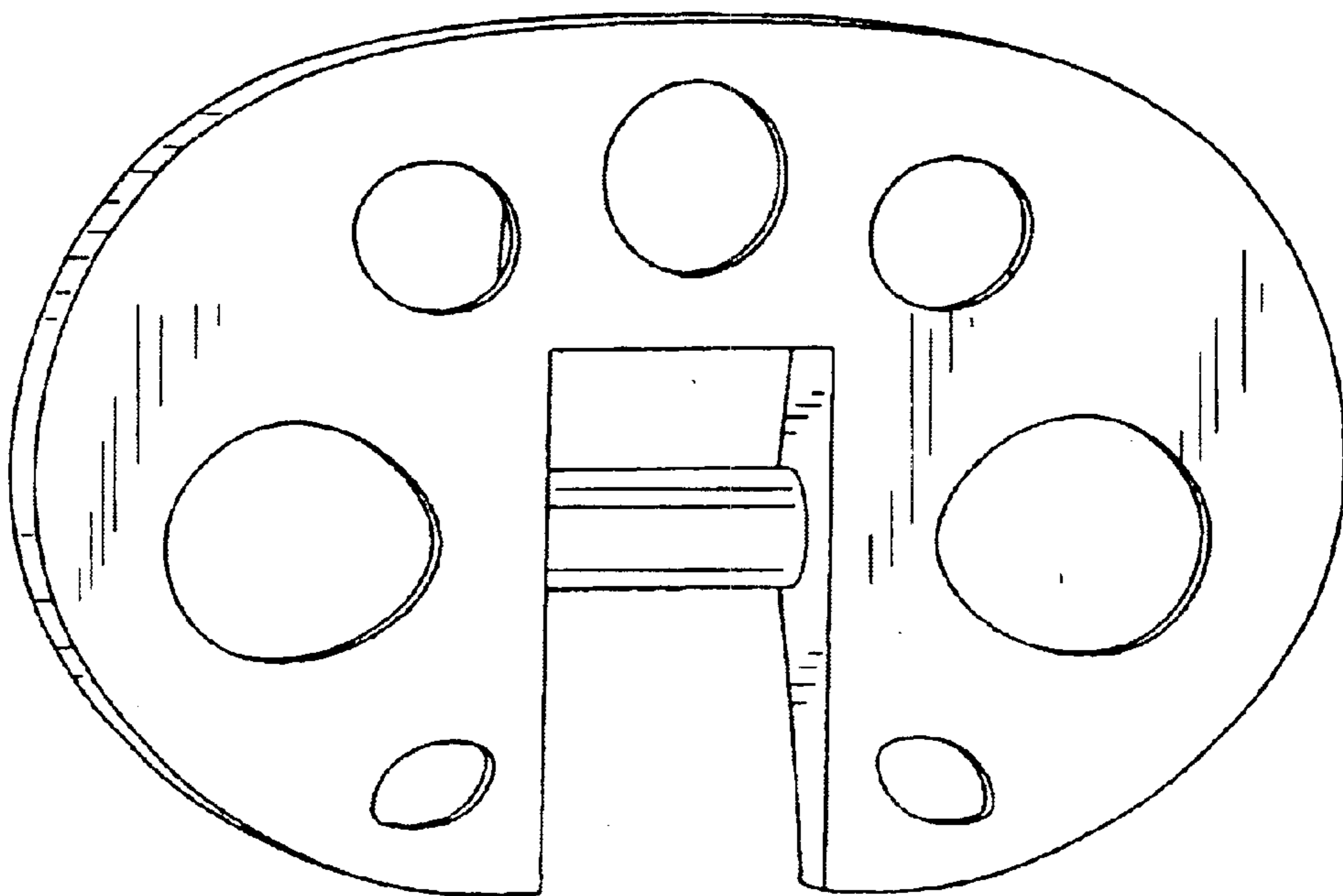


FIG. 1

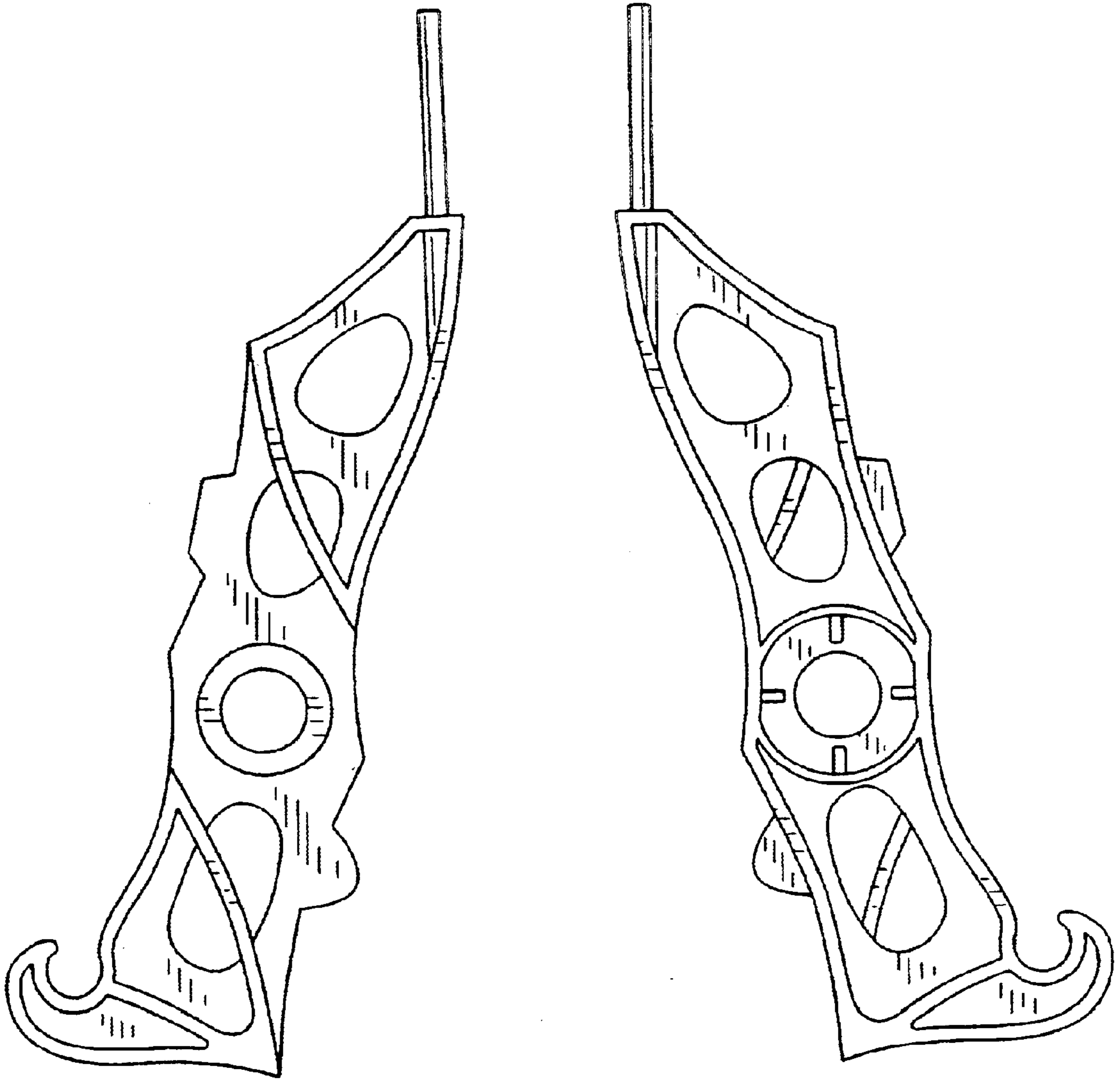


FIG. 2

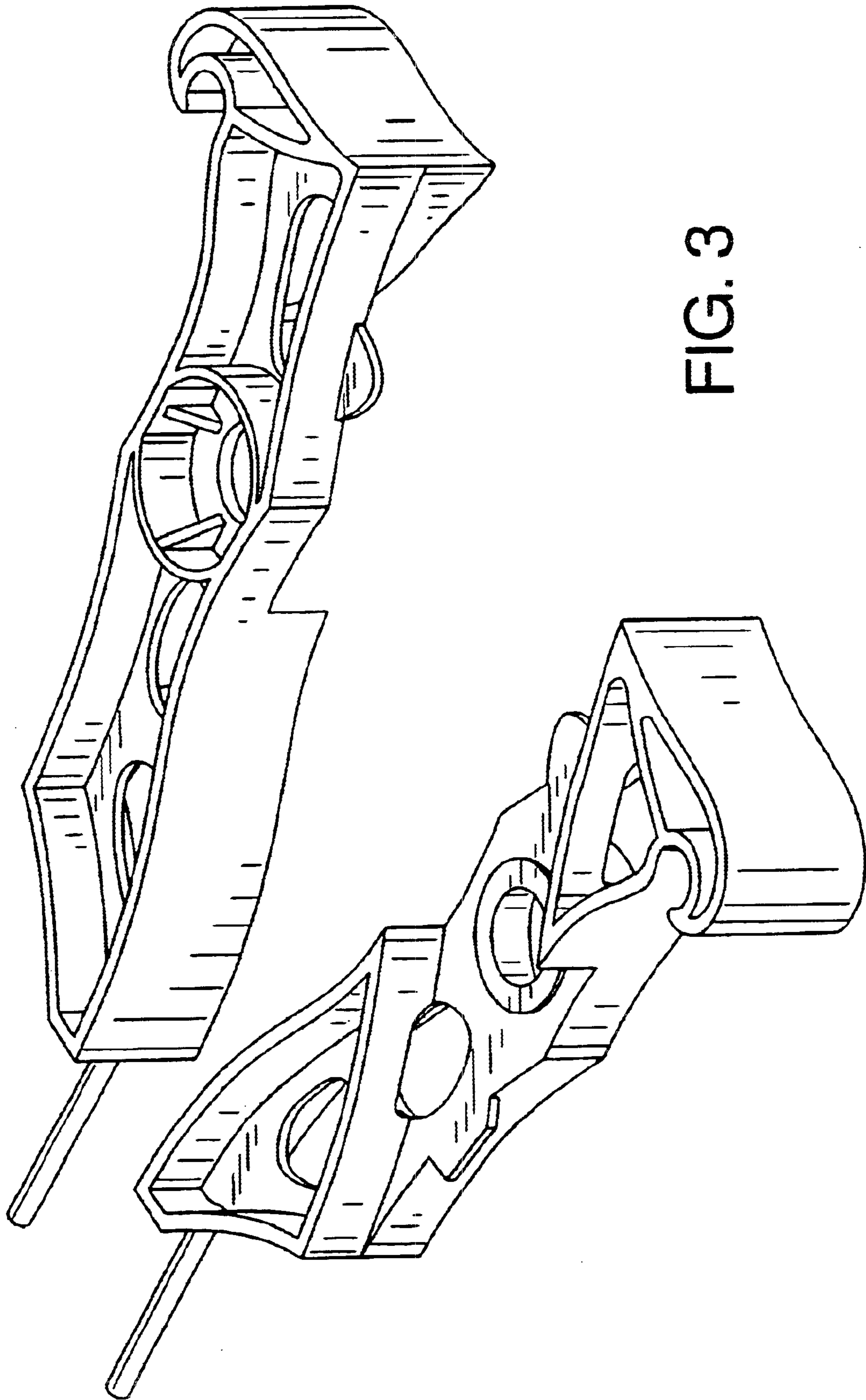


FIG. 3

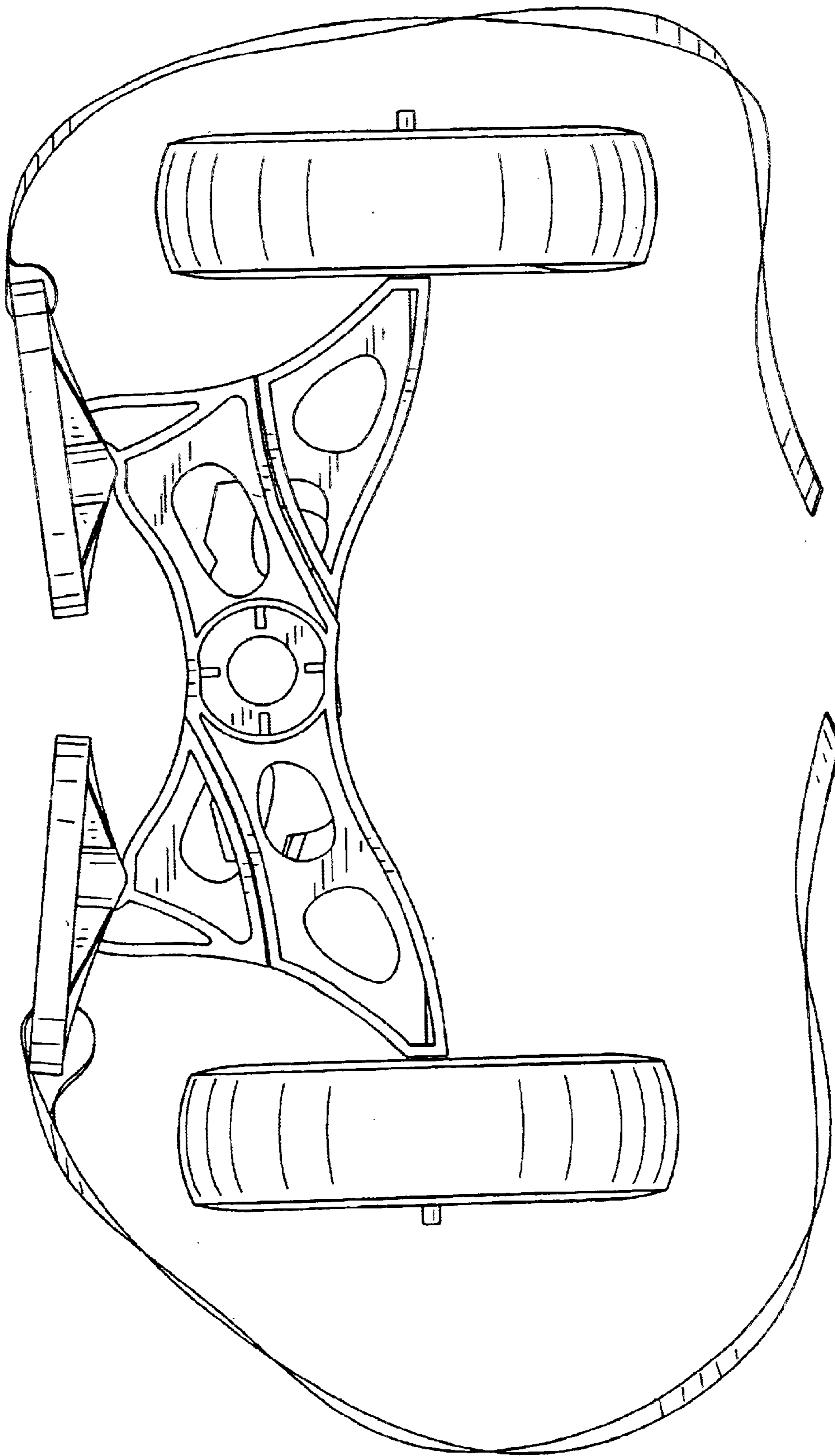
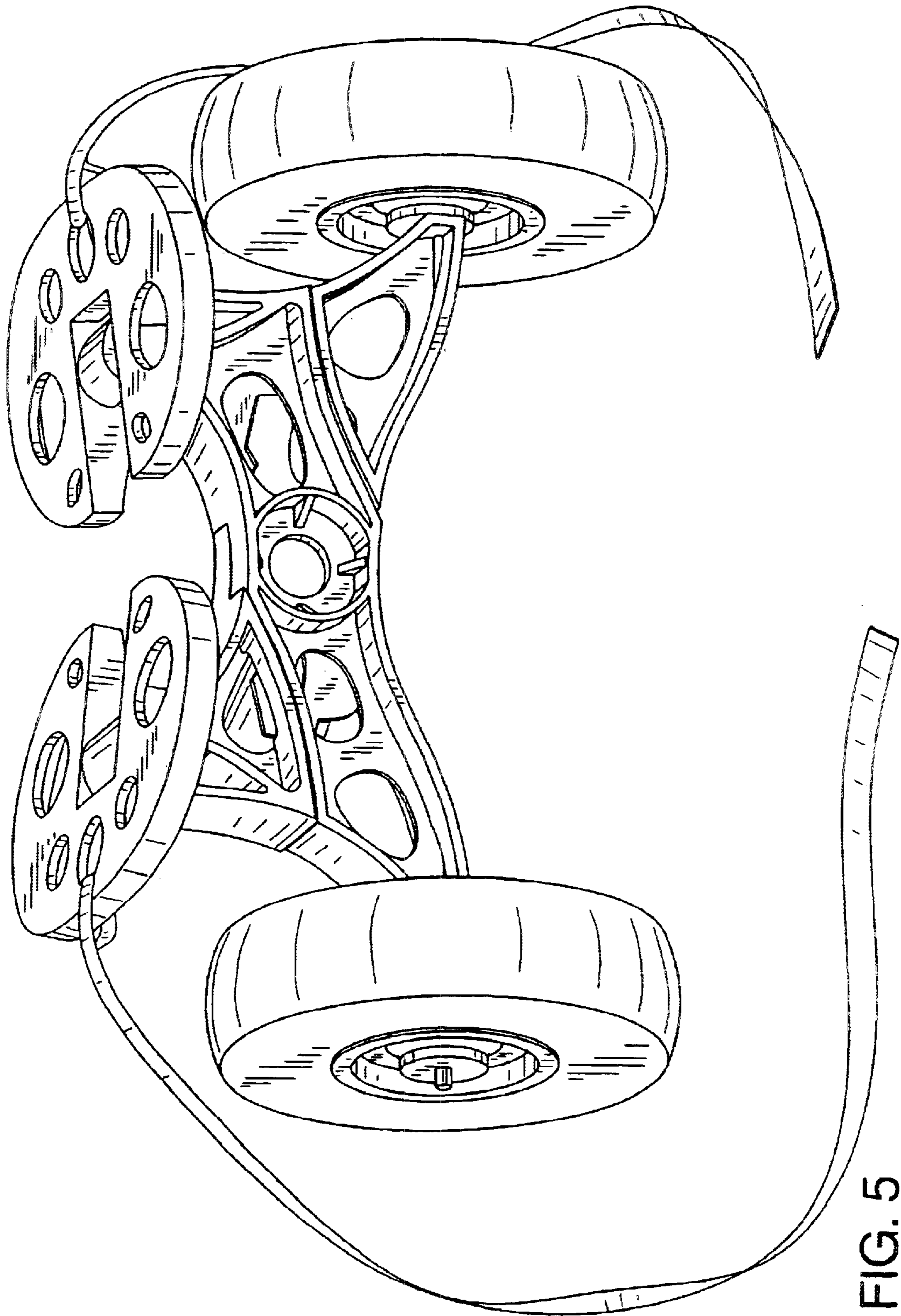


FIG. 4



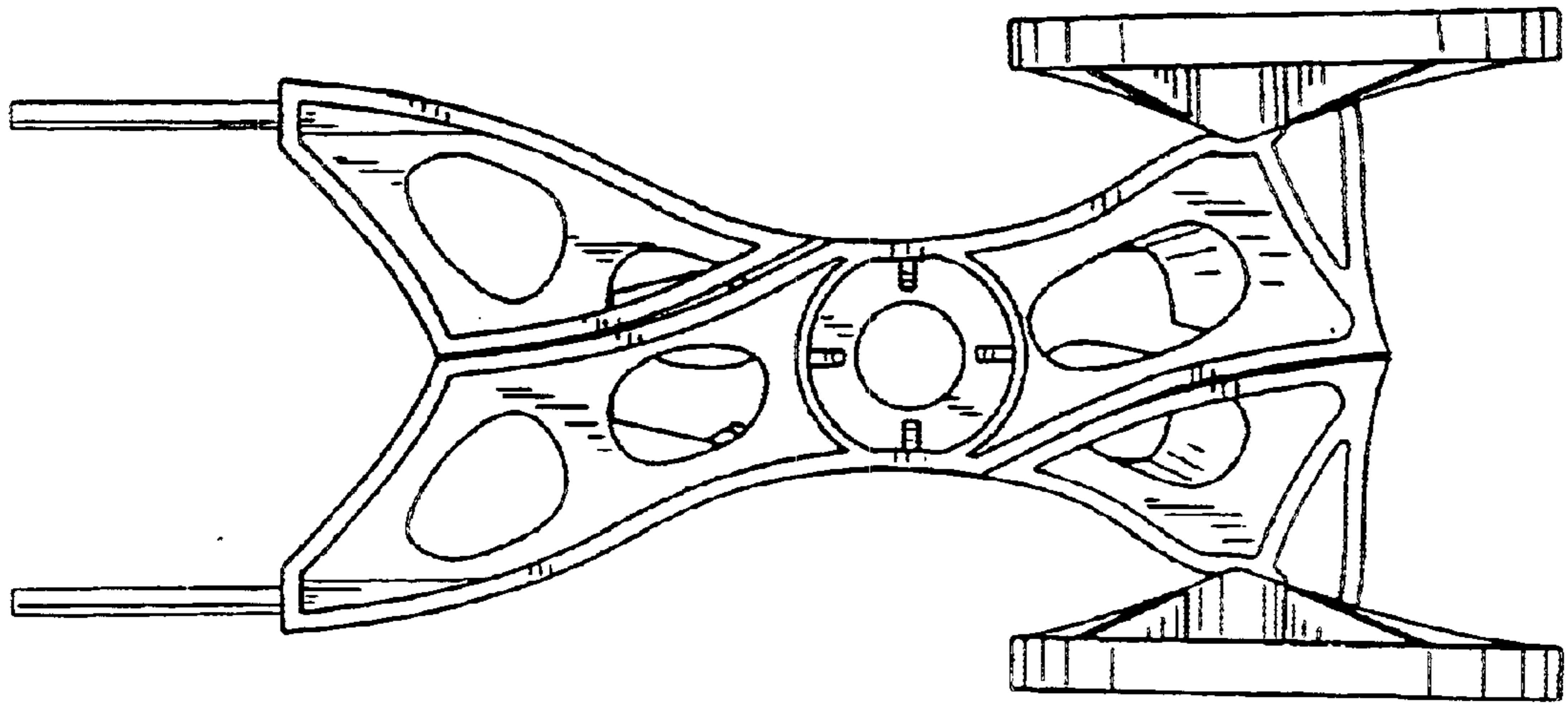


FIG. 6

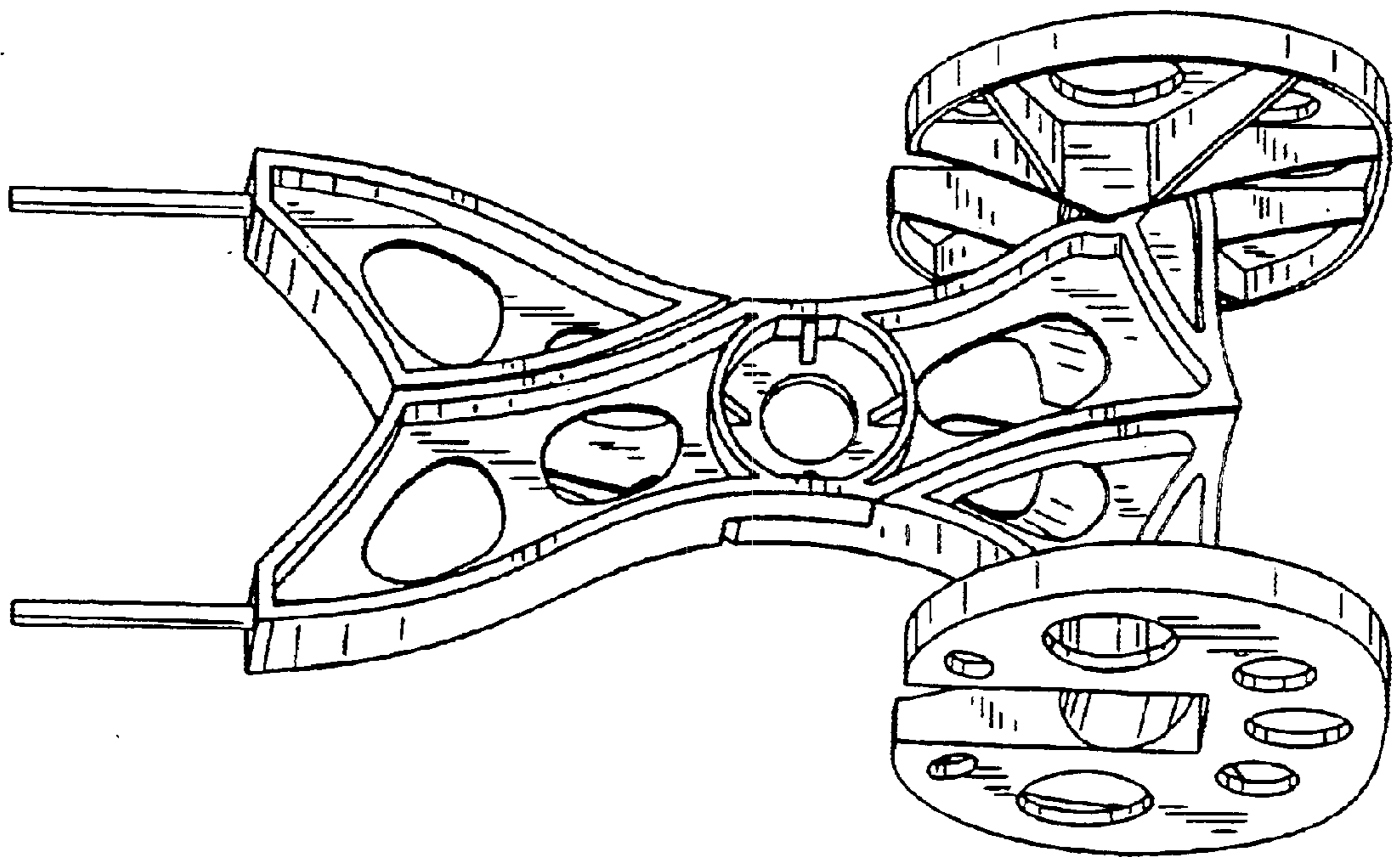


FIG. 7