



US00D490954S

(12) **United States Design Patent**  
**Brand**

(10) **Patent No.:** **US D490,954 S**

(45) **Date of Patent:** **\*\* Jun. 1, 2004**

(54) **WASTE BIN**

(75) Inventor: **Dieter Brand**, Dausenau (DE)

(73) Assignee: **Leifheit AG**, Nassau (DE)

(\*\*) Term: **14 Years**

(21) Appl. No.: **29/176,446**

(22) Filed: **Feb. 21, 2003**

(30) **Foreign Application Priority Data**

Aug. 22, 2002 (DE) ..... 4 02 07 012

(51) **LOC (7) Cl.** ..... **09-09**

(52) **U.S. Cl.** ..... **D34/9**

(58) **Field of Search** ..... D34/1, 5, 6, 7,  
D34/8, 9; D32/37; 220/675, 908, 908.1,  
913, 909, 262, 263, 264, 911

(56) **References Cited**

**U.S. PATENT DOCUMENTS**

- D147,646 S \* 10/1947 Footlik ..... D34/9
- D191,546 S \* 10/1961 Garner ..... D34/9
- D261,720 S \* 11/1981 Brazis ..... D34/9
- D288,019 S \* 1/1987 Gebhard et al. .... D32/37
- D319,905 S \* 9/1991 Hotchkiss ..... D34/9
- D322,350 S \* 12/1991 Craft et al. .... D34/9
- 5,092,105 A \* 3/1992 Bish-Shin ..... 53/373.7

- D332,852 S \* 1/1993 Delmerico ..... D34/9
- D352,144 S \* 11/1994 Brookshire et al. .... D34/9
- D368,563 S \* 4/1996 Brightbill et al. .... D34/9
- D380,114 S \* 6/1997 Albright ..... D6/515
- D381,784 S \* 7/1997 Keller et al. .... D34/9
- D415,327 S \* 10/1999 Primeau ..... D34/9
- D420,182 S \* 2/2000 Roudebush ..... D32/37
- D422,123 S \* 3/2000 Roudebush ..... D32/37
- D466,265 S \* 11/2002 Lin ..... D34/9

\* cited by examiner

*Primary Examiner*—Cynthia E. Ramirez

(74) *Attorney, Agent, or Firm*—Frishauf, Holtz, Goodman & Chick, P.C.

(57) **CLAIM**

The ornamental design for a waste bin, as shown and described.

**DESCRIPTION**

FIG. 1 is a front, top, right side perspective view of a waste bin showing my new design;

FIG. 2 is a front elevational view thereof;

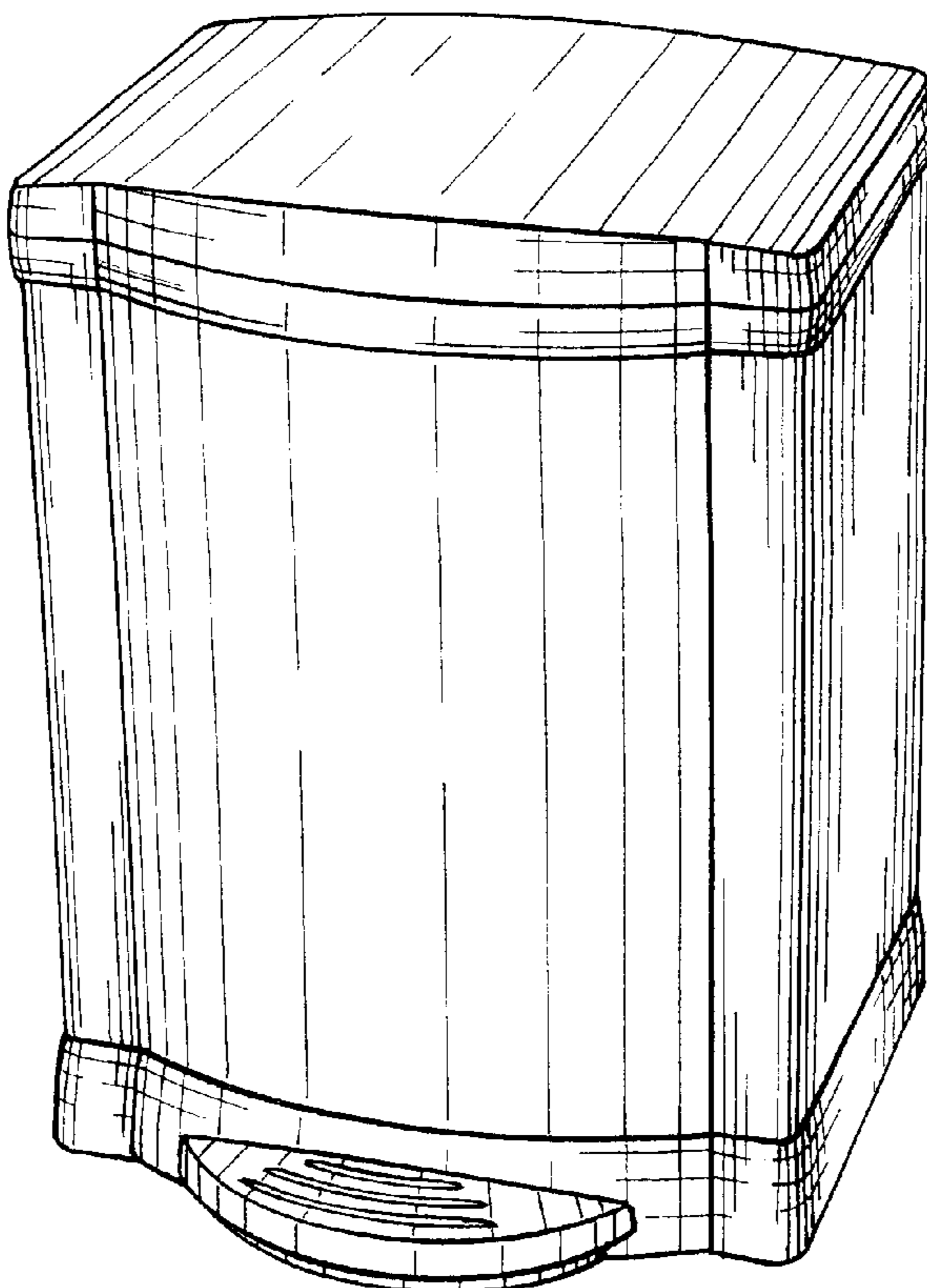
FIG. 3 is a left side view thereof, the right side view being a mirror image;

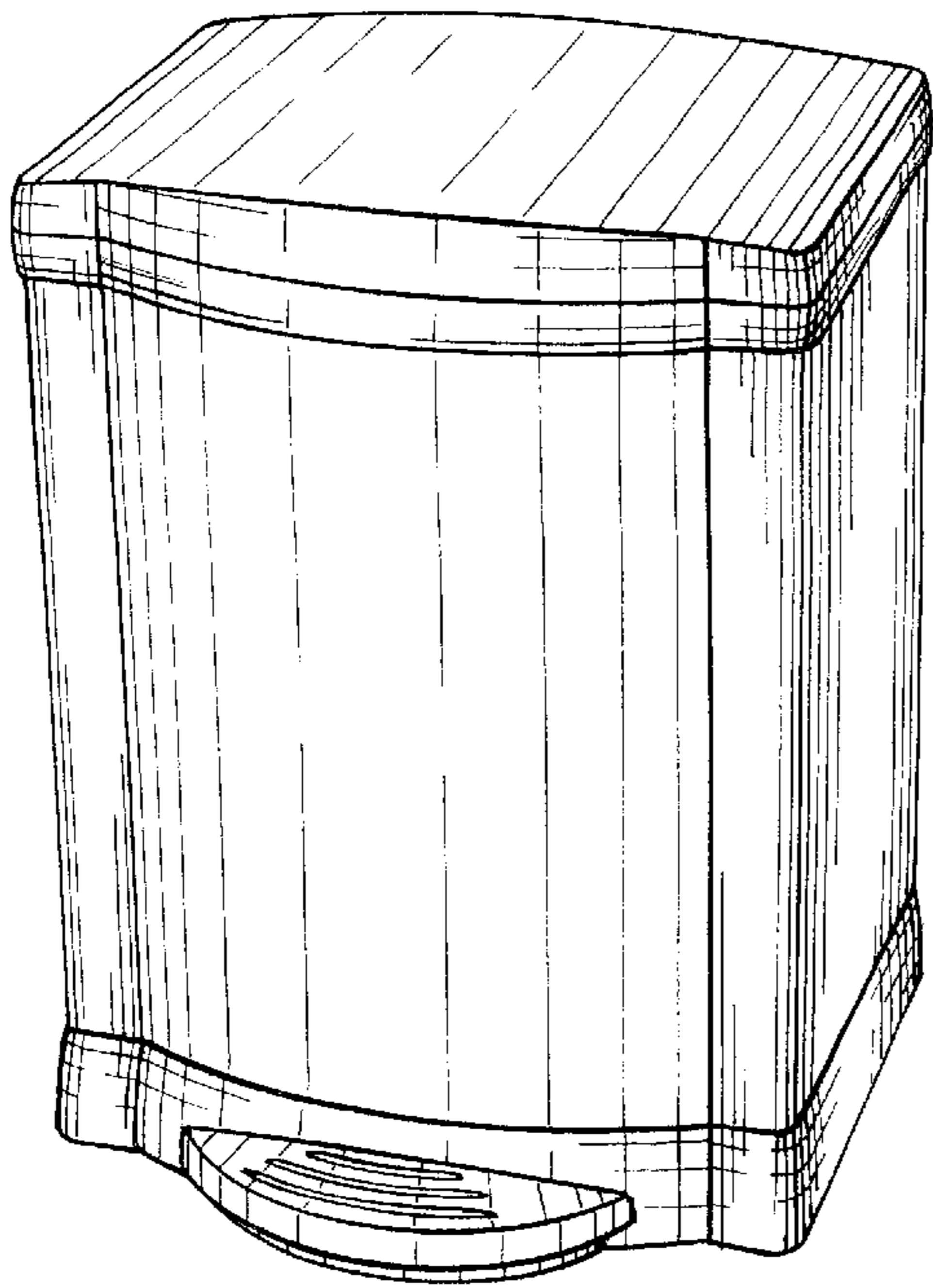
FIG. 4 is a rear elevational view thereof; and,

FIG. 5 is a top view thereof.

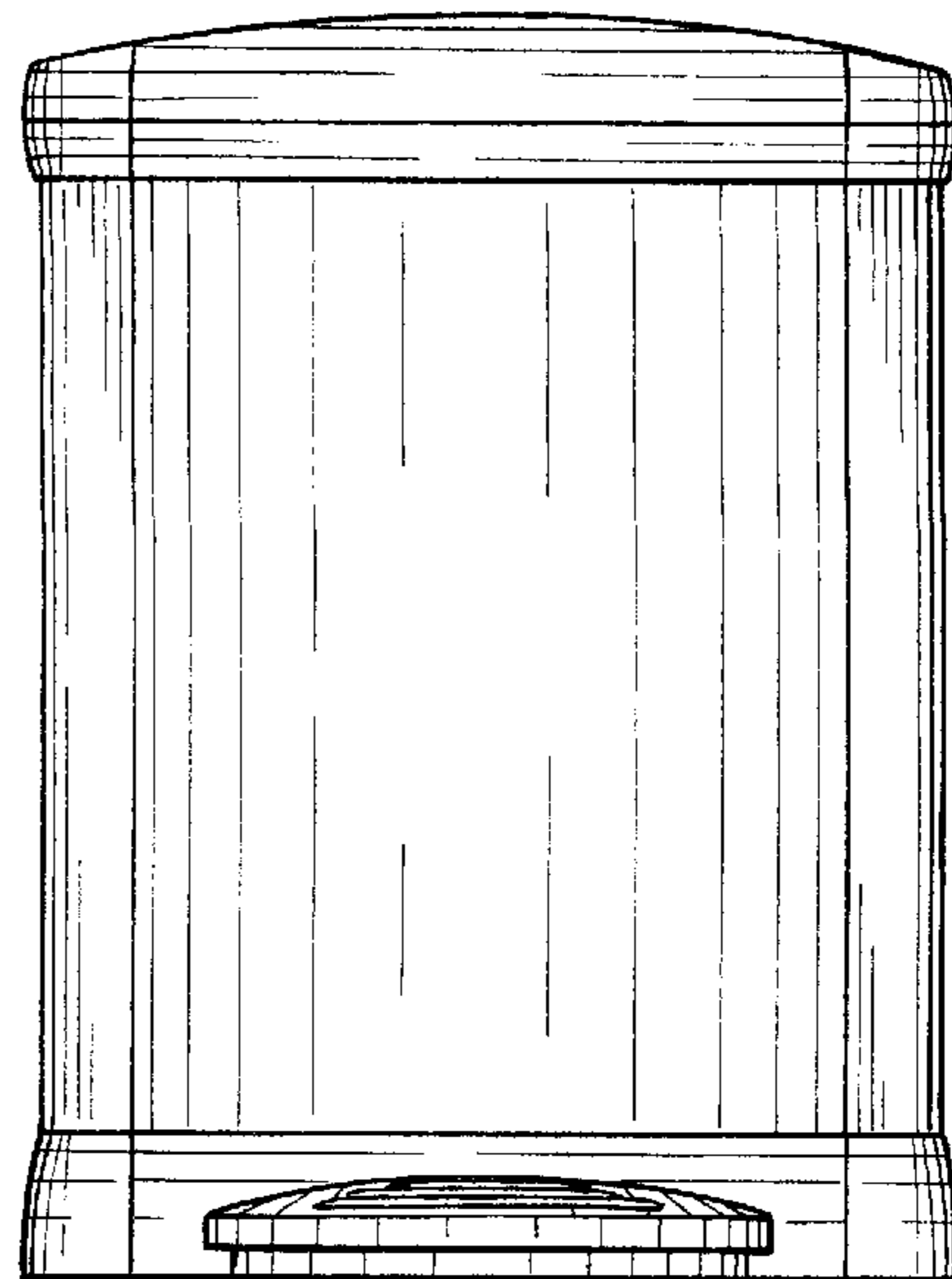
The bottom is unornamented and is not shown.

**1 Claim, 2 Drawing Sheets**

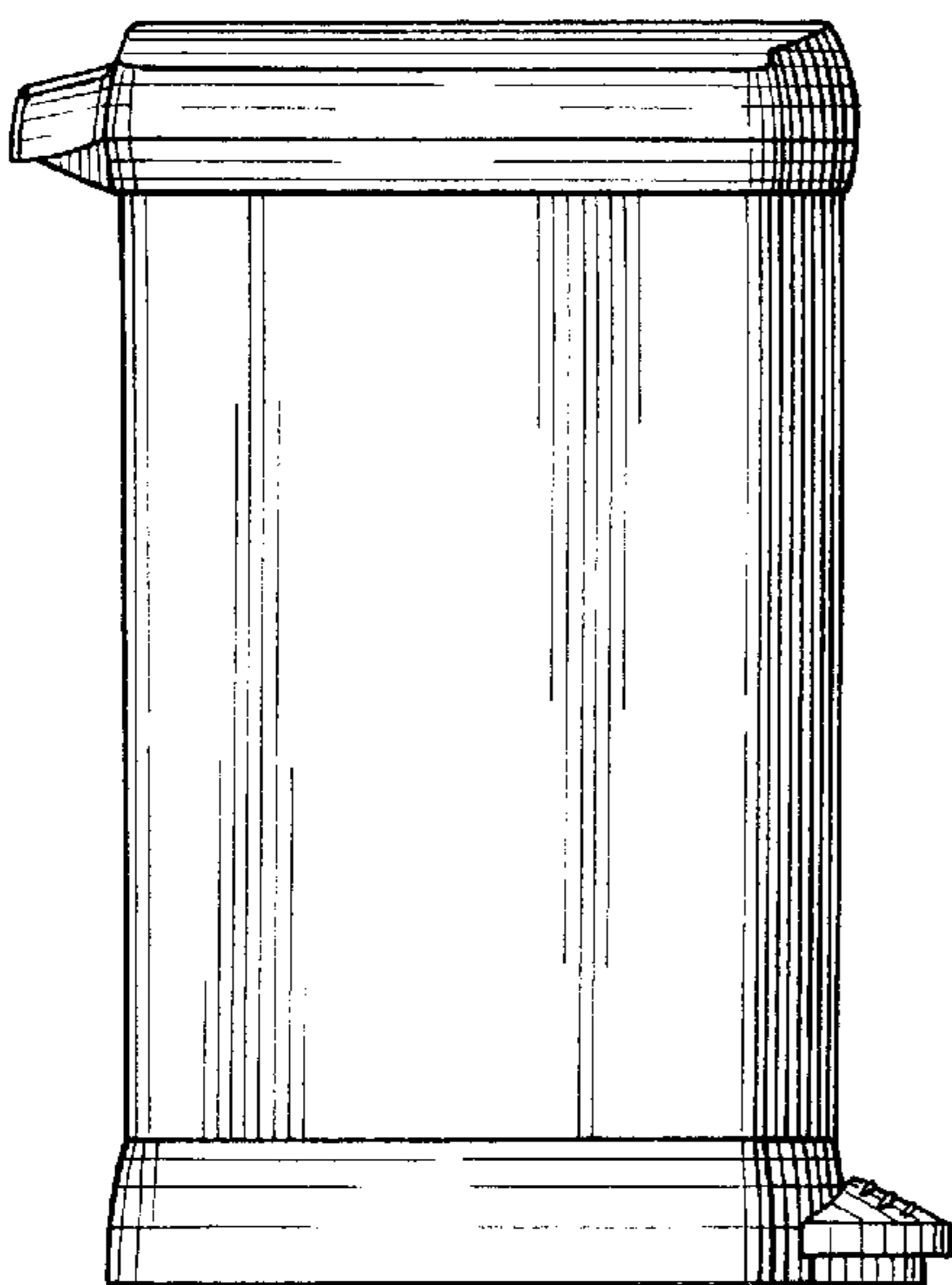




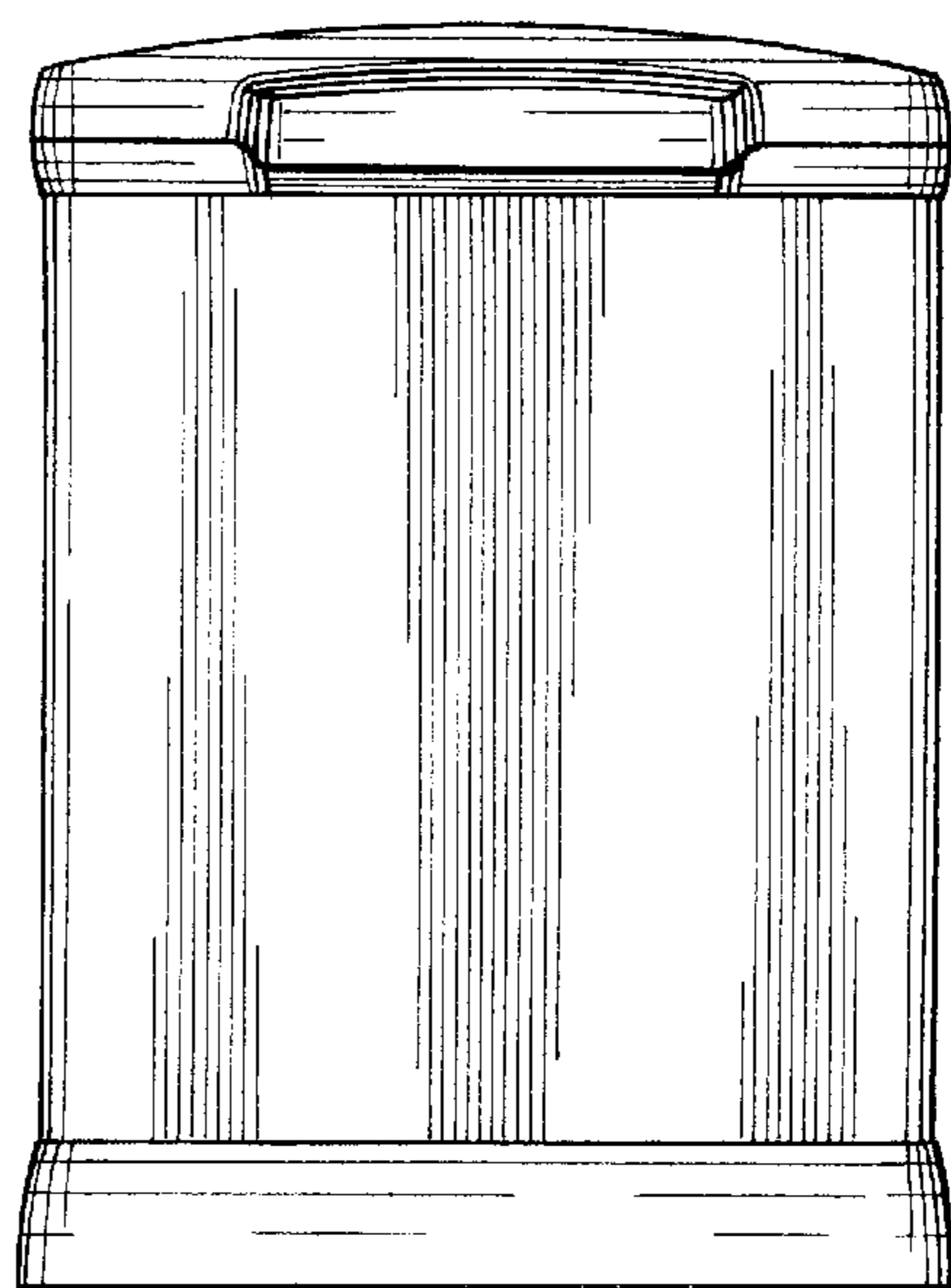
*Fig. 1*



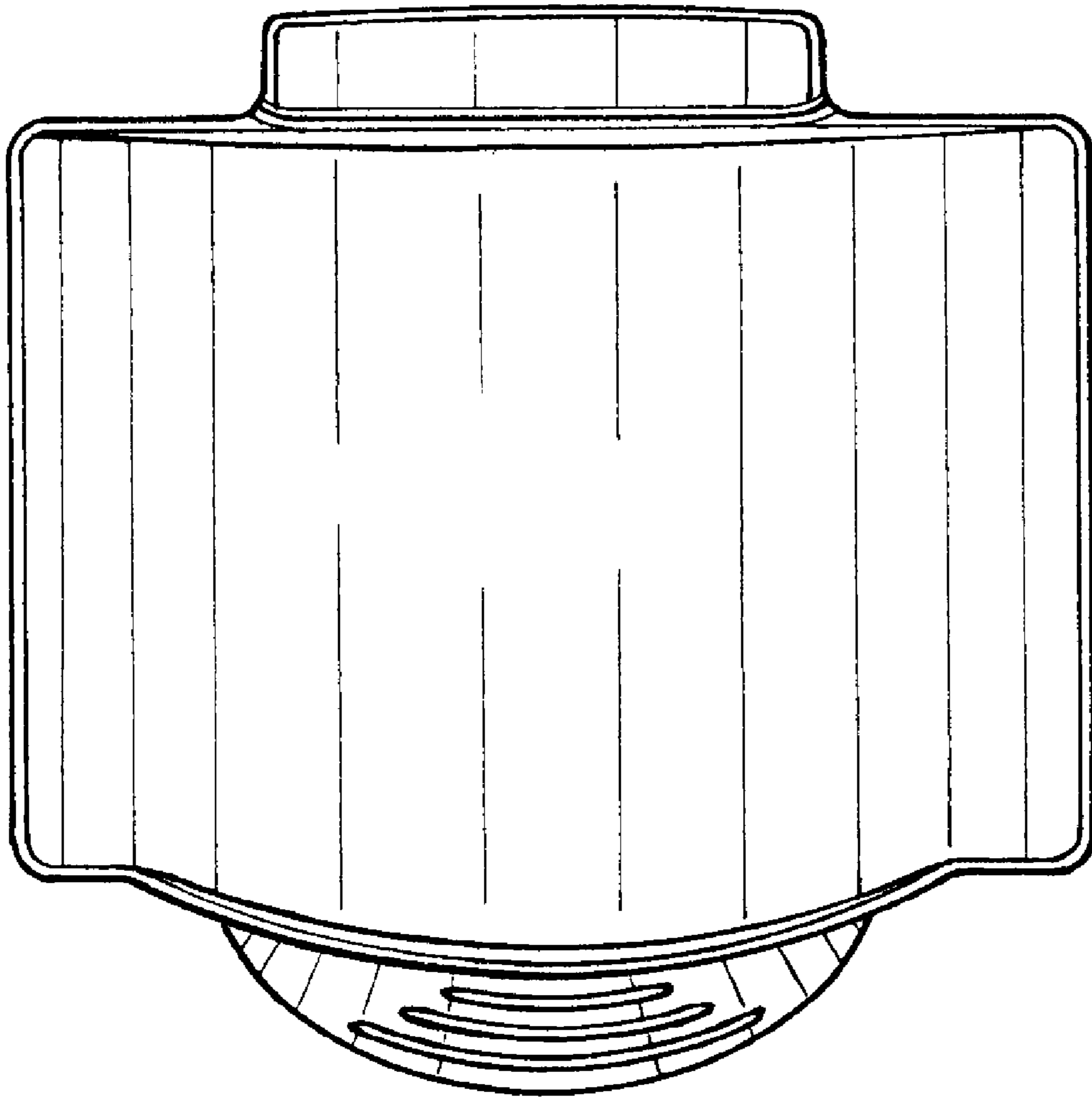
*Fig. 2*



*Fig. 3*



*Fig. 4*



*Fig. 5*