



US00D490952S

(12) **United States Design Patent**
Ajluni

(10) **Patent No.:** **US D490,952 S**

(45) **Date of Patent:** **** Jun. 1, 2004**

(54) **CLEANING DEVICE**

WO WO 02/41746 5/2002

(75) Inventor: **Sherry Ajluni**, Cumming, GA (US)

OTHER PUBLICATIONS

(73) Assignee: **The Evercare Company**, Alpharetta, GA (US)

Printout from homemadesimple.com website entitled "Learn more about Swiffer." 2002.

(**) Term: **14 Years**

* cited by examiner

(21) Appl. No.: **29/181,847**

Primary Examiner—Alan P. Douglas

Assistant Examiner—Lavone D. Tabor

(22) Filed: **May 16, 2003**

(74) *Attorney, Agent, or Firm*—Gifford, Krass, Groh, Sprinkle, Anderson & Citkowski, P.C.

(51) **LOC (7) Cl.** **04-01**

(52) **U.S. Cl.** **D32/50**

(58) **Field of Search** D32/40, 42, 50,
D32/51; 15/121, 143.1, 144.3, 144.4, 147.1,
147.2, 209.1, 210.1, 228, 229.6, 231-233

(57) **CLAIM**

I claim the ornamental design for a cleaning device, as shown.

(56) **References Cited**

DESCRIPTION

U.S. PATENT DOCUMENTS

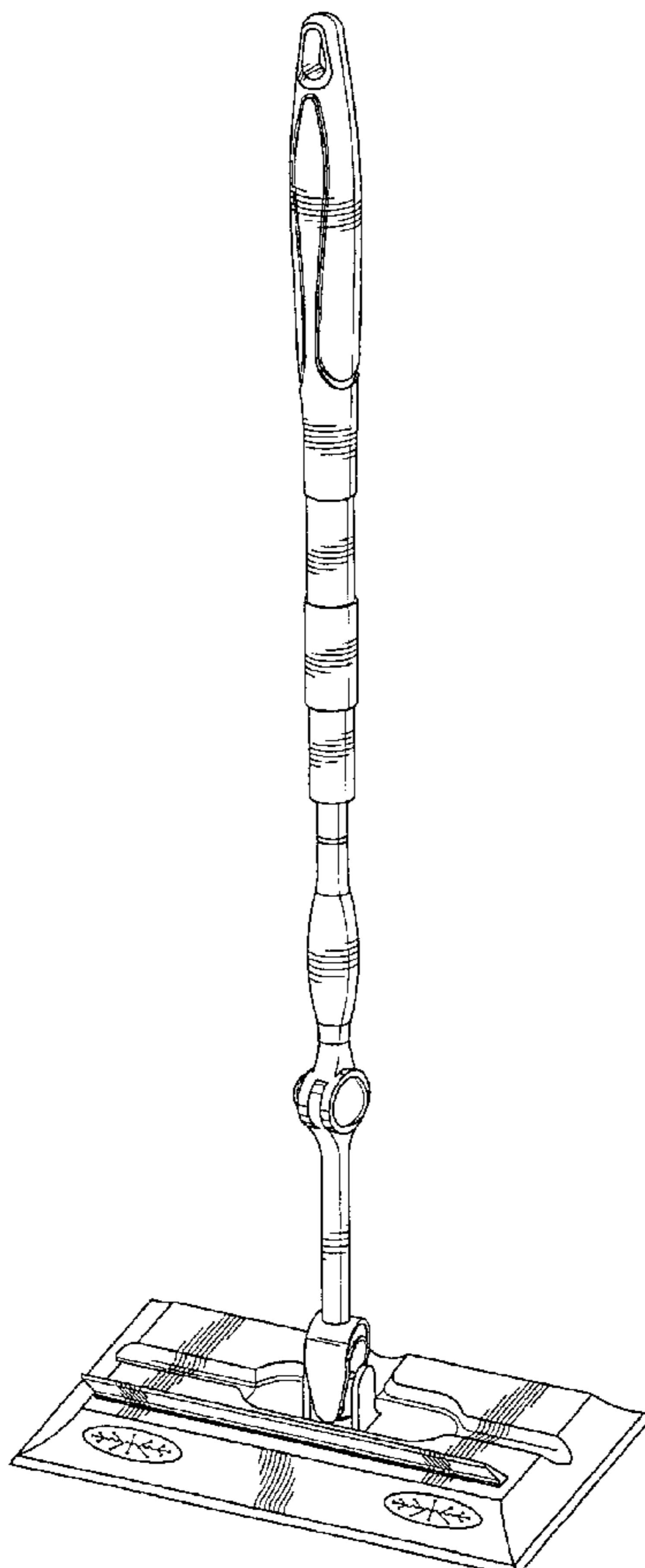
3,909,870 A * 10/1975 Leland 15/121

FIG. 1 is an elevational view of the present invention;
FIG. 2 is a front view thereof;
FIG. 3 is a right side view thereof;
FIG. 4 is a top view thereof;
FIG. 5 is a bottom view thereof;
FIG. 6 is a rear view thereof; and,
FIG. 7 is a left side view thereof.

FOREIGN PATENT DOCUMENTS

| | | |
|----|-------------|---------|
| CH | 280117 | 4/1952 |
| DE | 200 03 773 | 6/2000 |
| WO | WO 02/41747 | 11/2001 |
| WO | WO 02/41743 | 5/2002 |

1 Claim, 4 Drawing Sheets



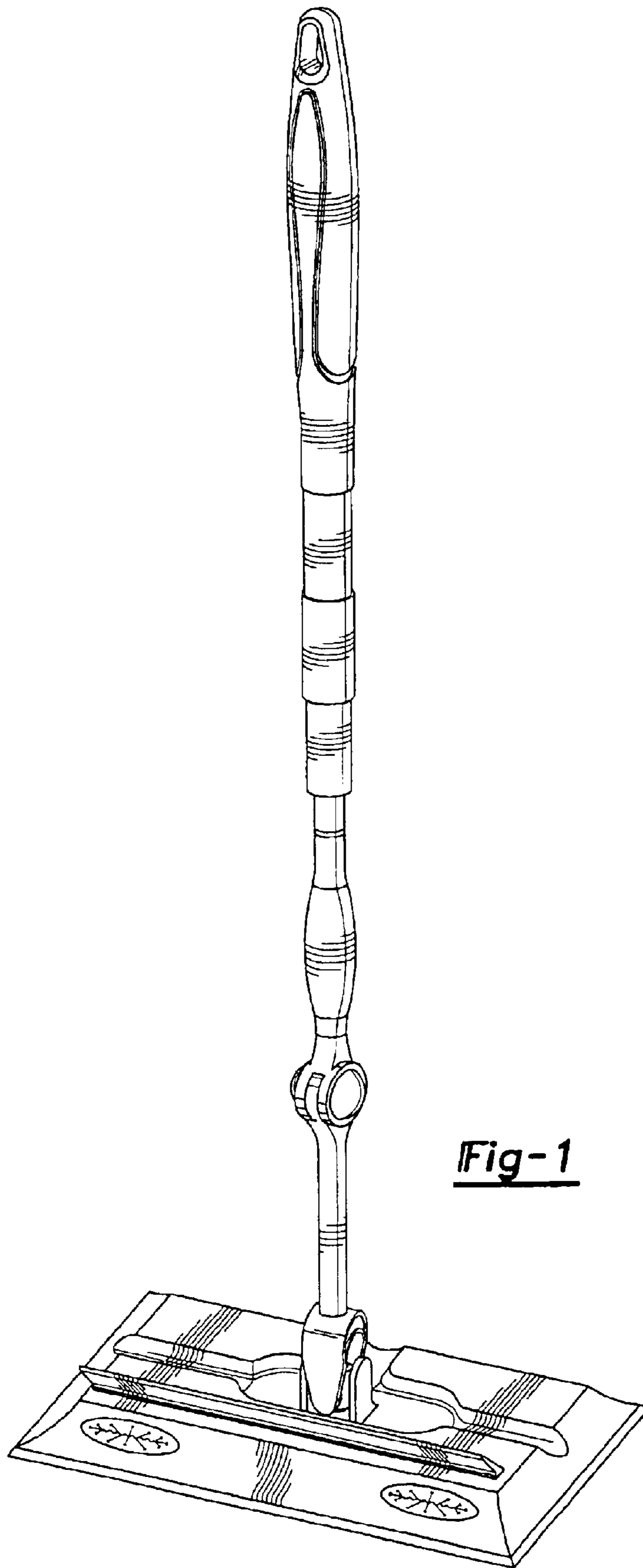
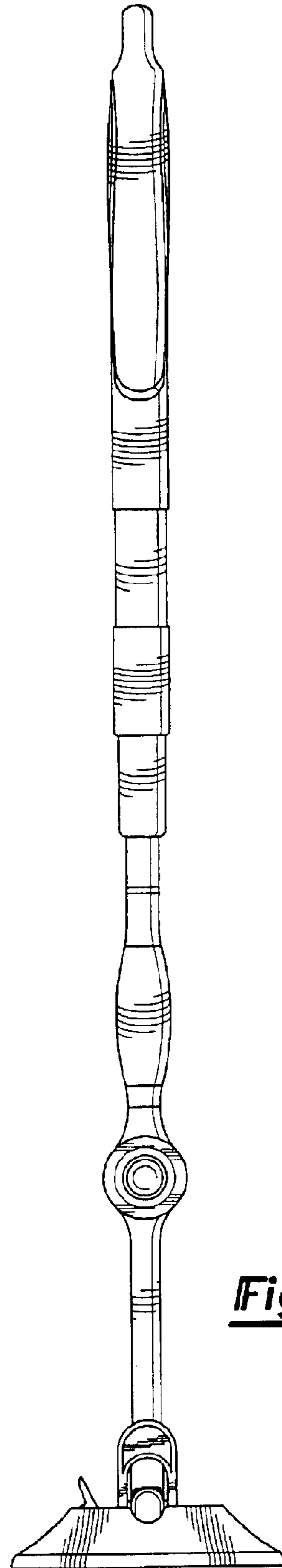
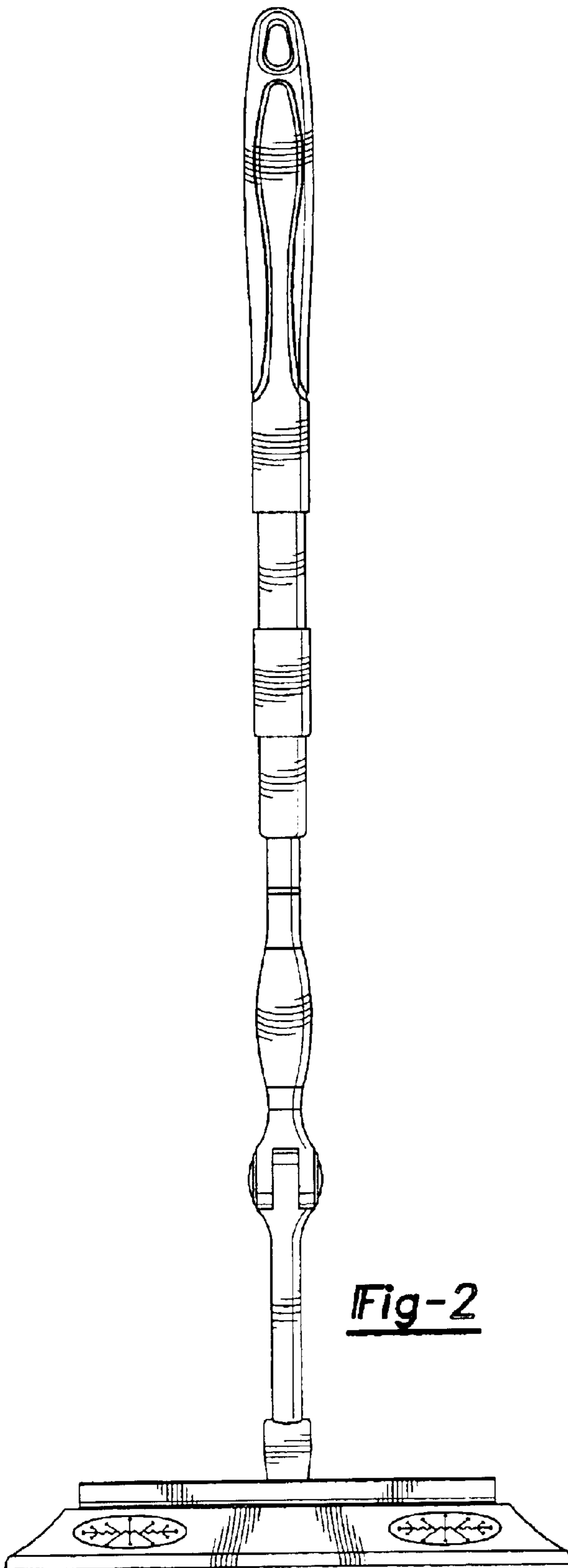


Fig-1



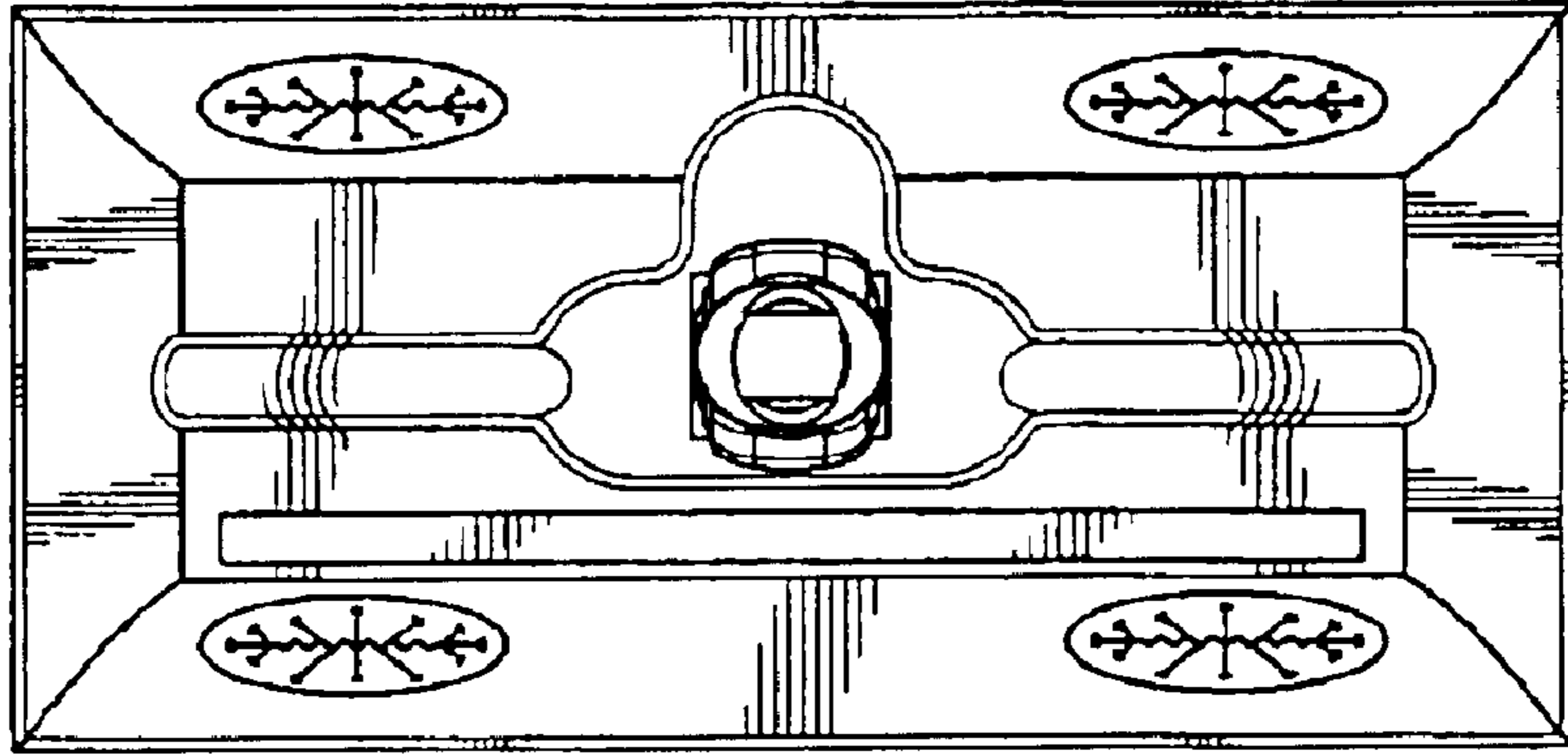


Fig-4

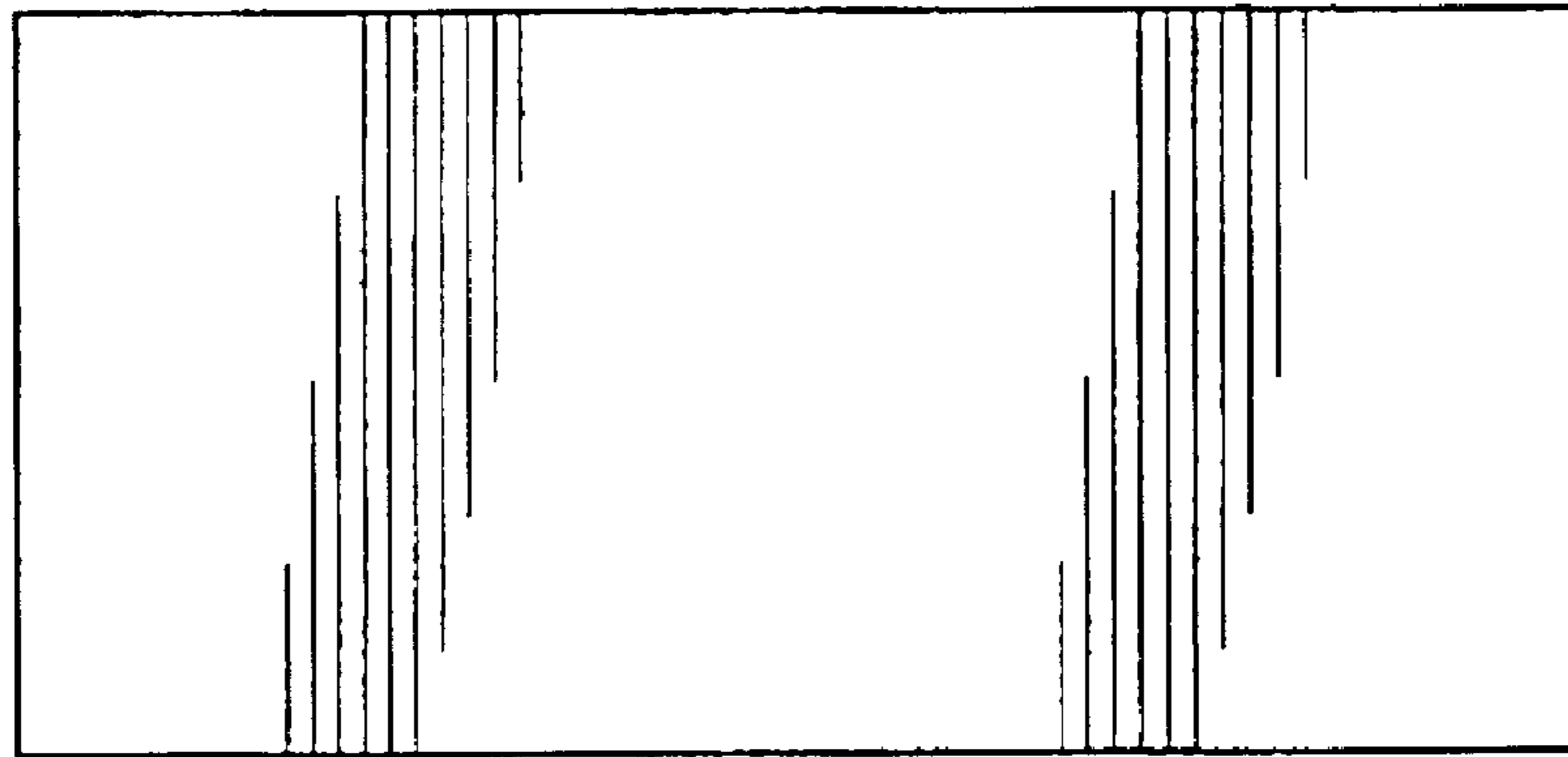


Fig-5

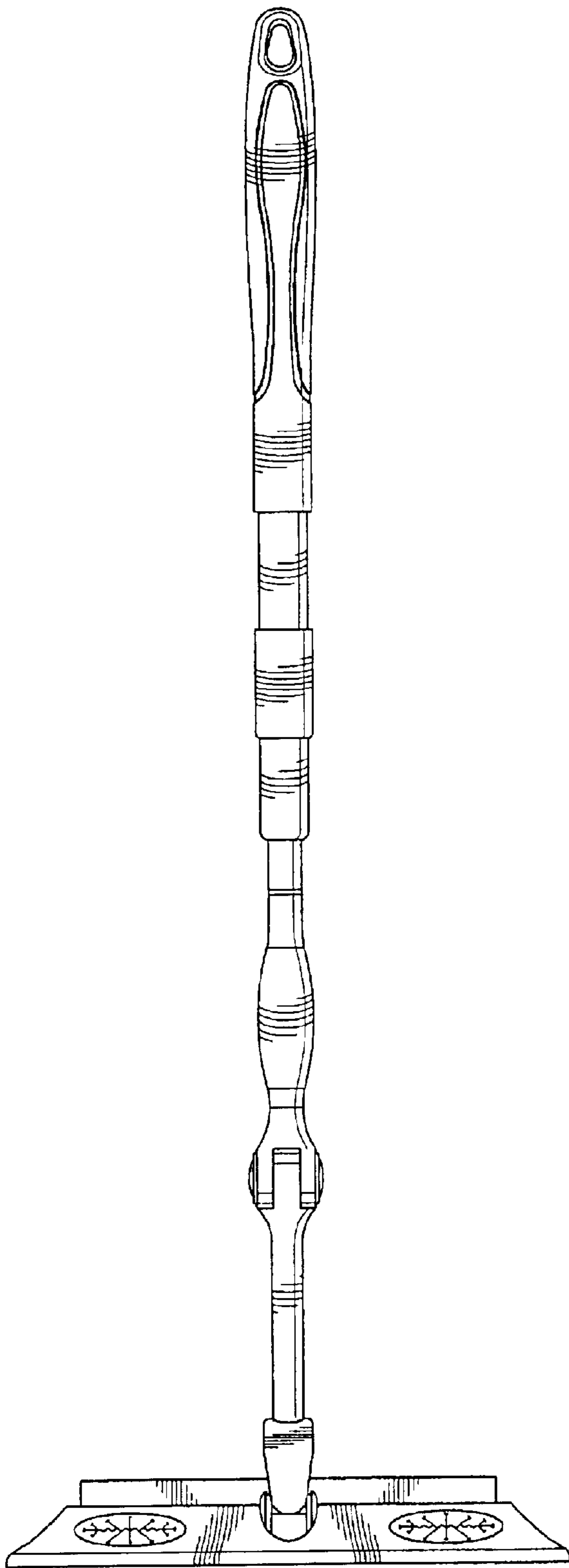


Fig-6

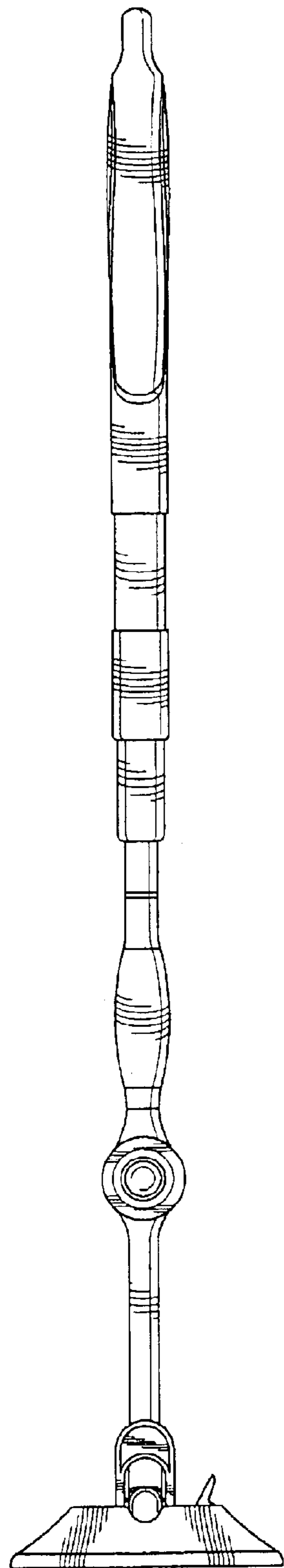


Fig-7