



US00D490947S

(12) **United States Design Patent**
Cattaneo

(10) **Patent No.:** **US D490,947 S**

(45) **Date of Patent:** **** Jun. 1, 2004**

(54) **WASHING HIGH PRESSURE EQUIPMENT**

D460,166 S * 7/2002 Wang D23/355

(75) Inventor: **Giovanni Cattaneo**, Vaiano Cremasco (IT)

* cited by examiner

(73) Assignee: **Interpump Cleaning S.p.A., Divisione Faip**, Vaiano (IT)

Primary Examiner—Louis S. Zarfes
Assistant Examiner—Robert A. Delehanty

(**) Term: **14 Years**

(74) *Attorney, Agent, or Firm*—Abelman, Frayne & Schwab

(21) Appl. No.: **29/174,937**

(22) Filed: **Jan. 27, 2003**

(30) **Foreign Application Priority Data**

Sep. 13, 2002 (IT) MI2002 O 00610

(51) **LOC (7) Cl.** **15-05**

(52) **U.S. Cl.** **D32/15**

(58) **Field of Search** D32/1, 15, 25;
15/300.1, 303, 320, 321, 323, 405; 134/103.2;
D23/213; 239/147, DIG. 21; 210/169, 416.2

(56) **References Cited**

U.S. PATENT DOCUMENTS

5,236,582 A * 8/1993 Huang 210/169

D351,894 S * 10/1994 Reverberi D23/213

D443,736 S * 6/2001 Warth D32/15

(57) **CLAIM**

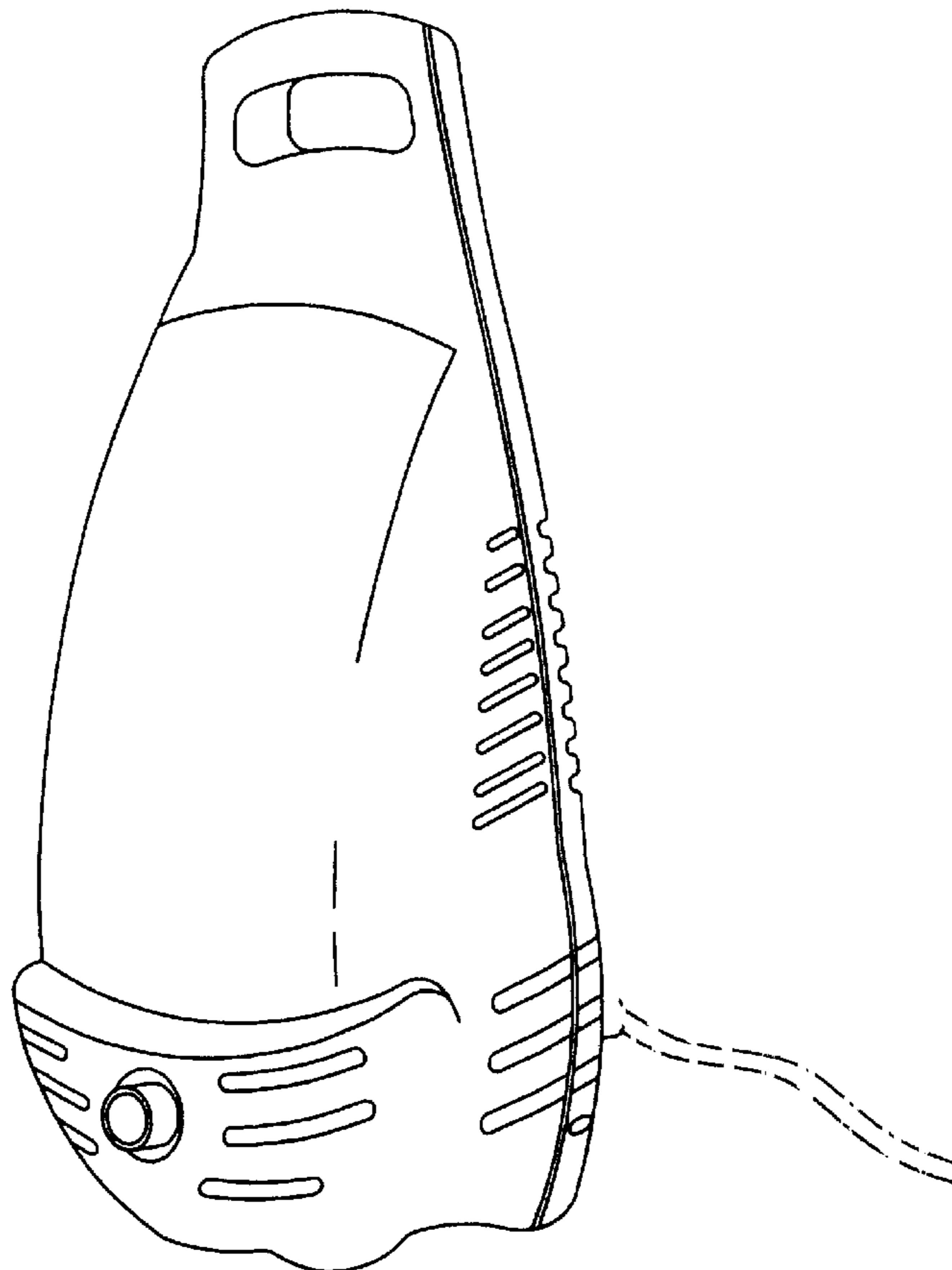
The ornamental design for washing high pressure equipment, as shown and described.

DESCRIPTION

FIG. 1 is a front, left side perspective view of the washing high pressure equipment showing my new design; FIG. 2 is a front elevation view thereof; FIG. 3 is a rear elevation view thereof; FIG. 4 is a left side elevation view thereof; FIG. 5 is a left side elevation view thereof; FIG. 6 is a right and left side perspective view thereof; FIG. 7 is a top plan view thereof; and, FIG. 8 is a bottom view thereof.

The portion of the drawings appearing in broken lines is for illustrative purposes only and forms no part of the claimed design.

1 Claim, 4 Drawing Sheets



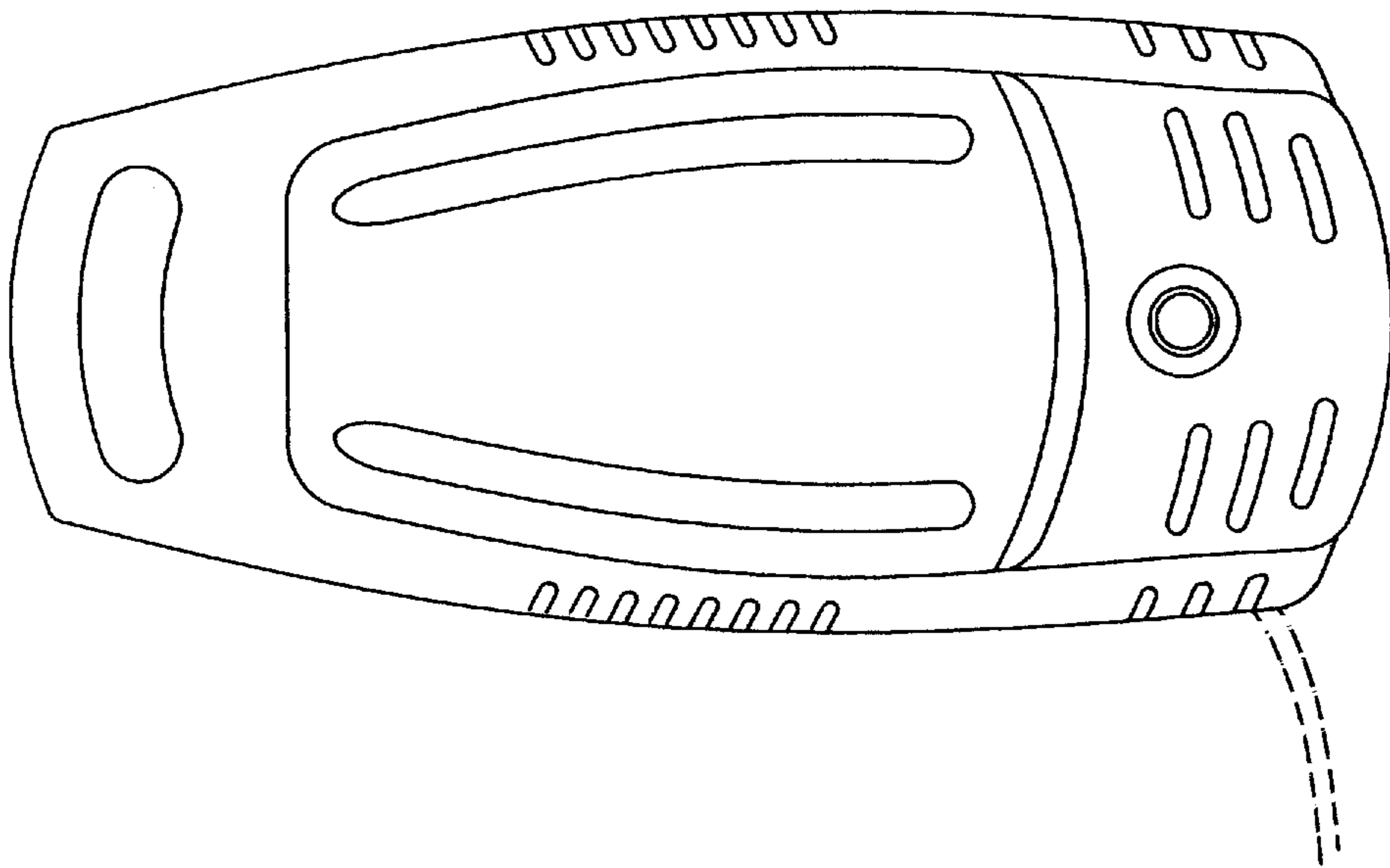


Fig.2

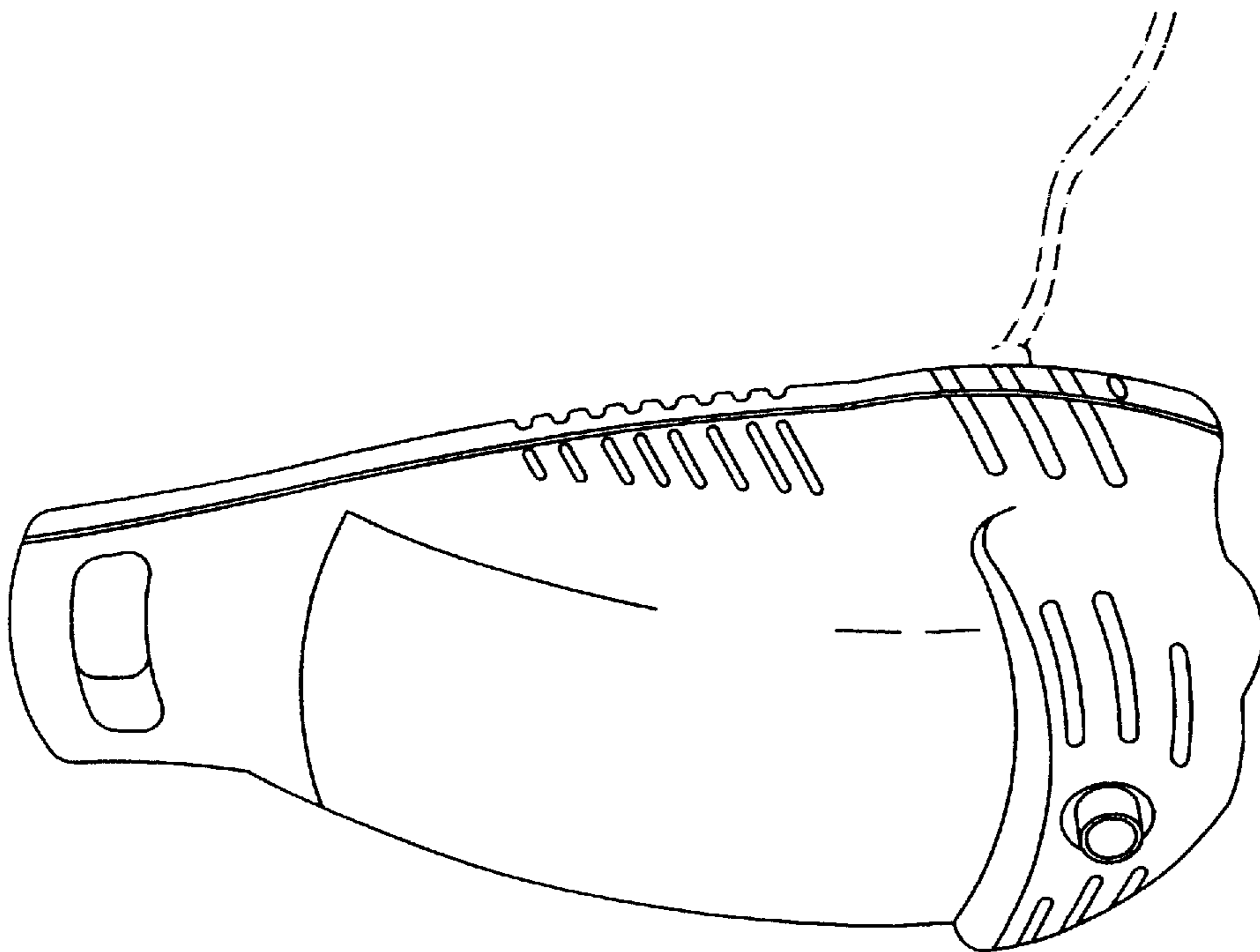


Fig.1

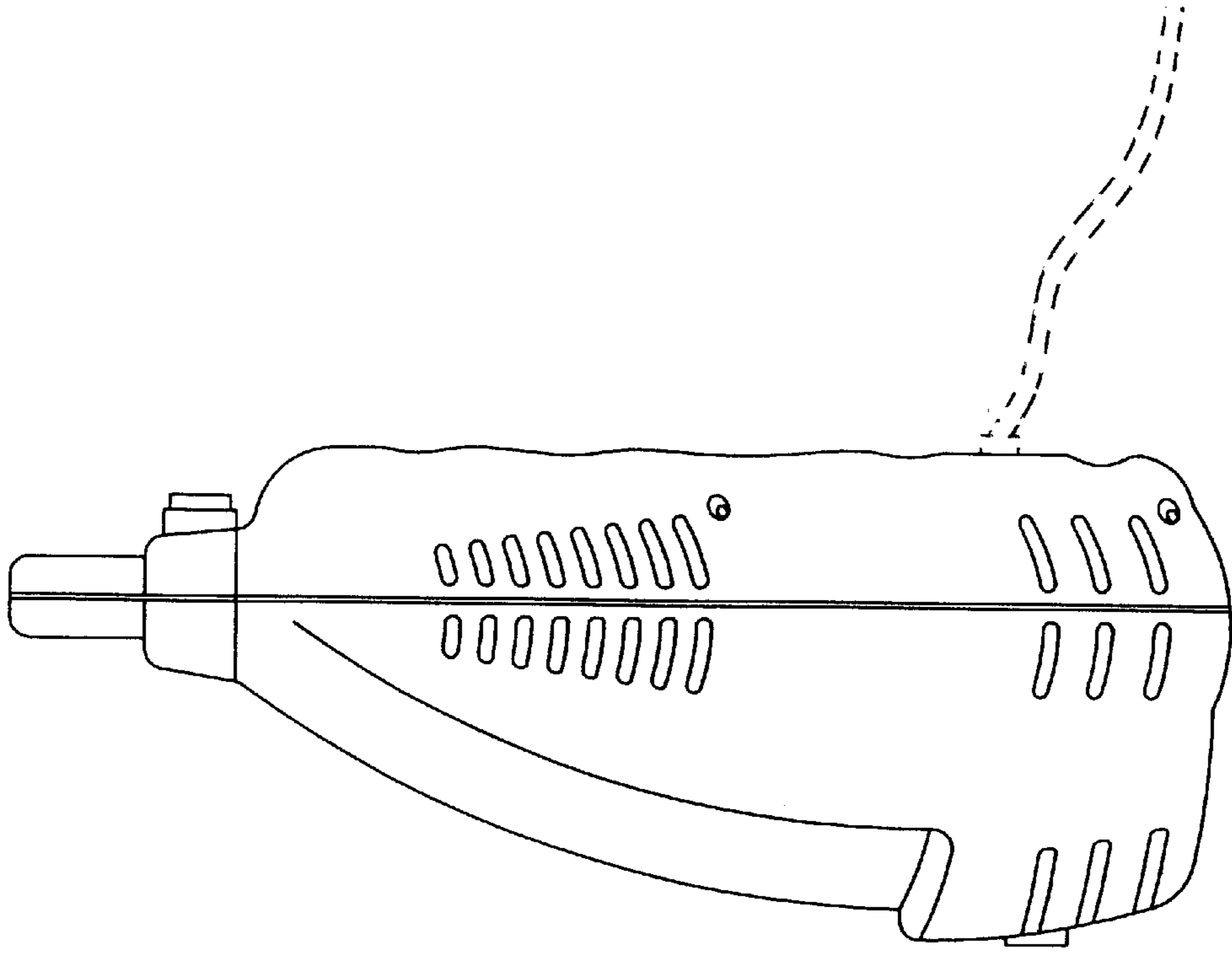


Fig.4

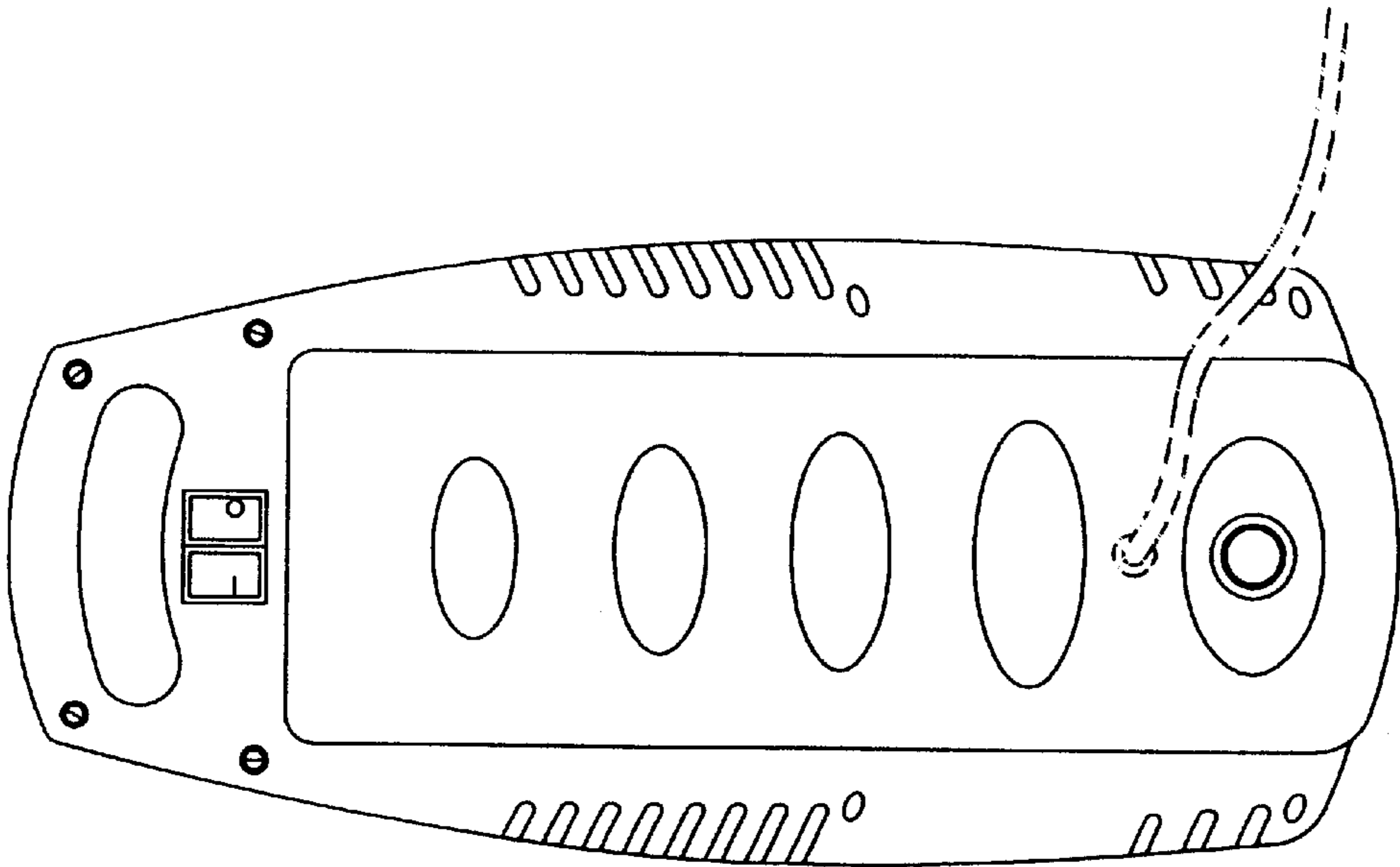


Fig.3

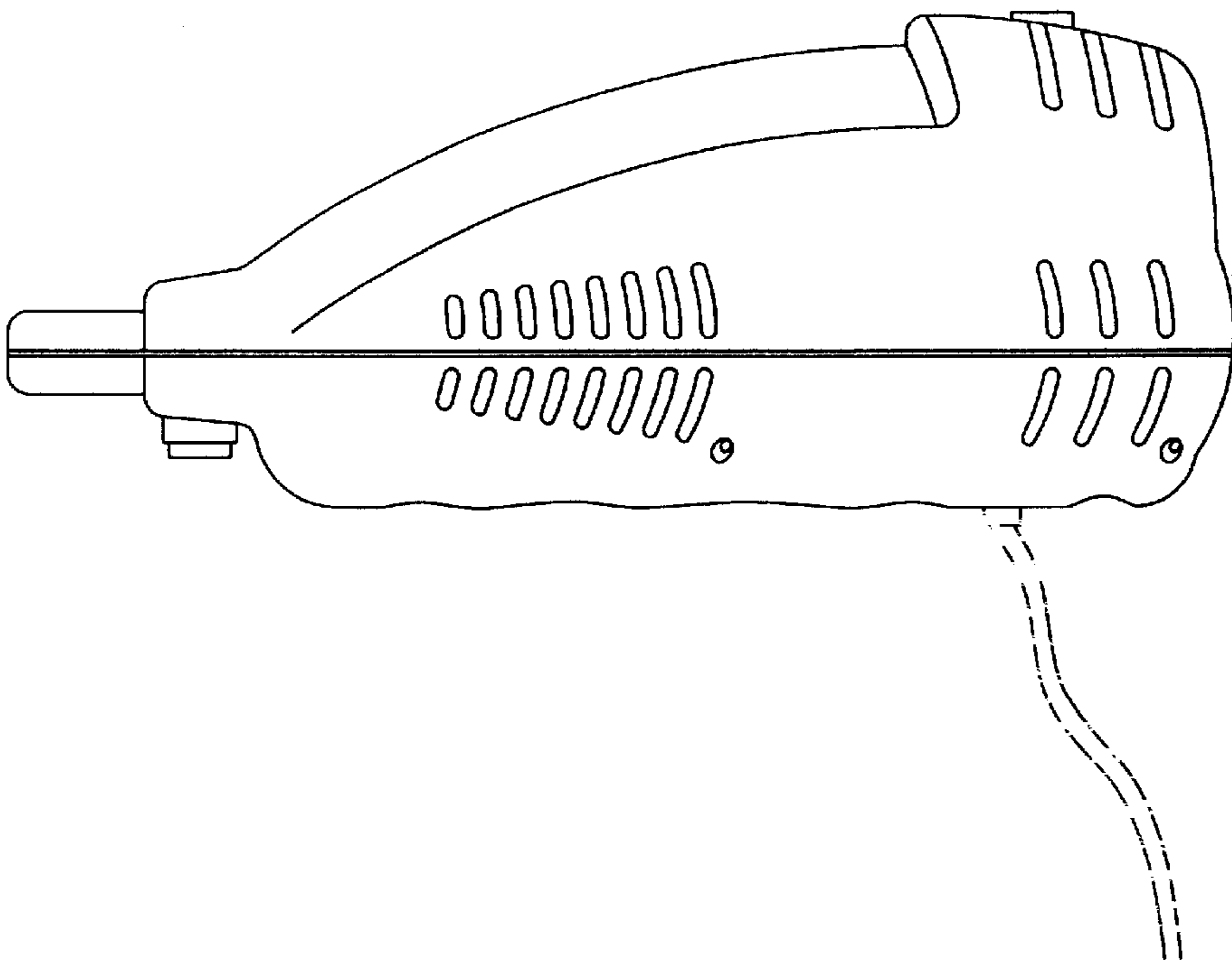


Fig.5

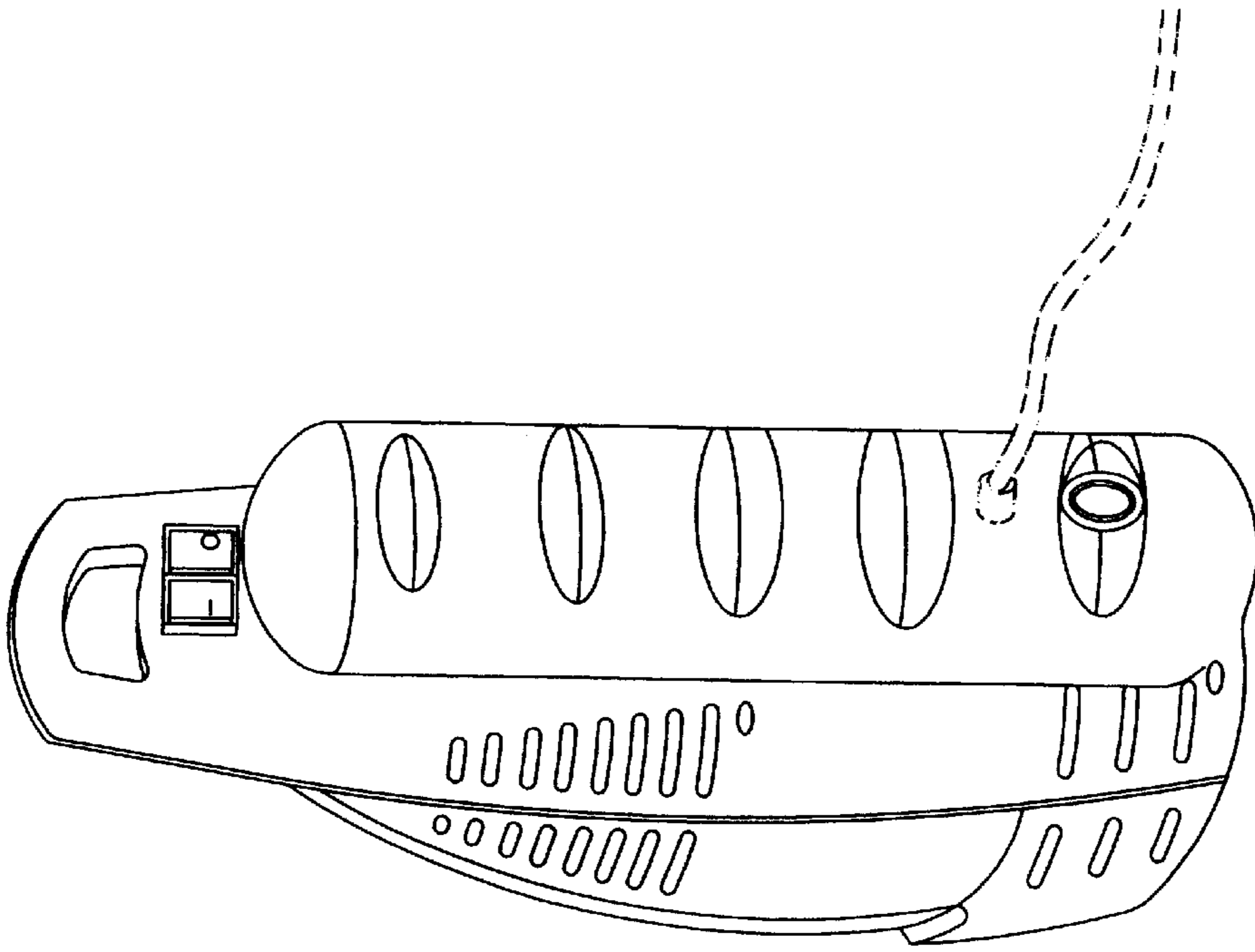


Fig.6

Fig. 8

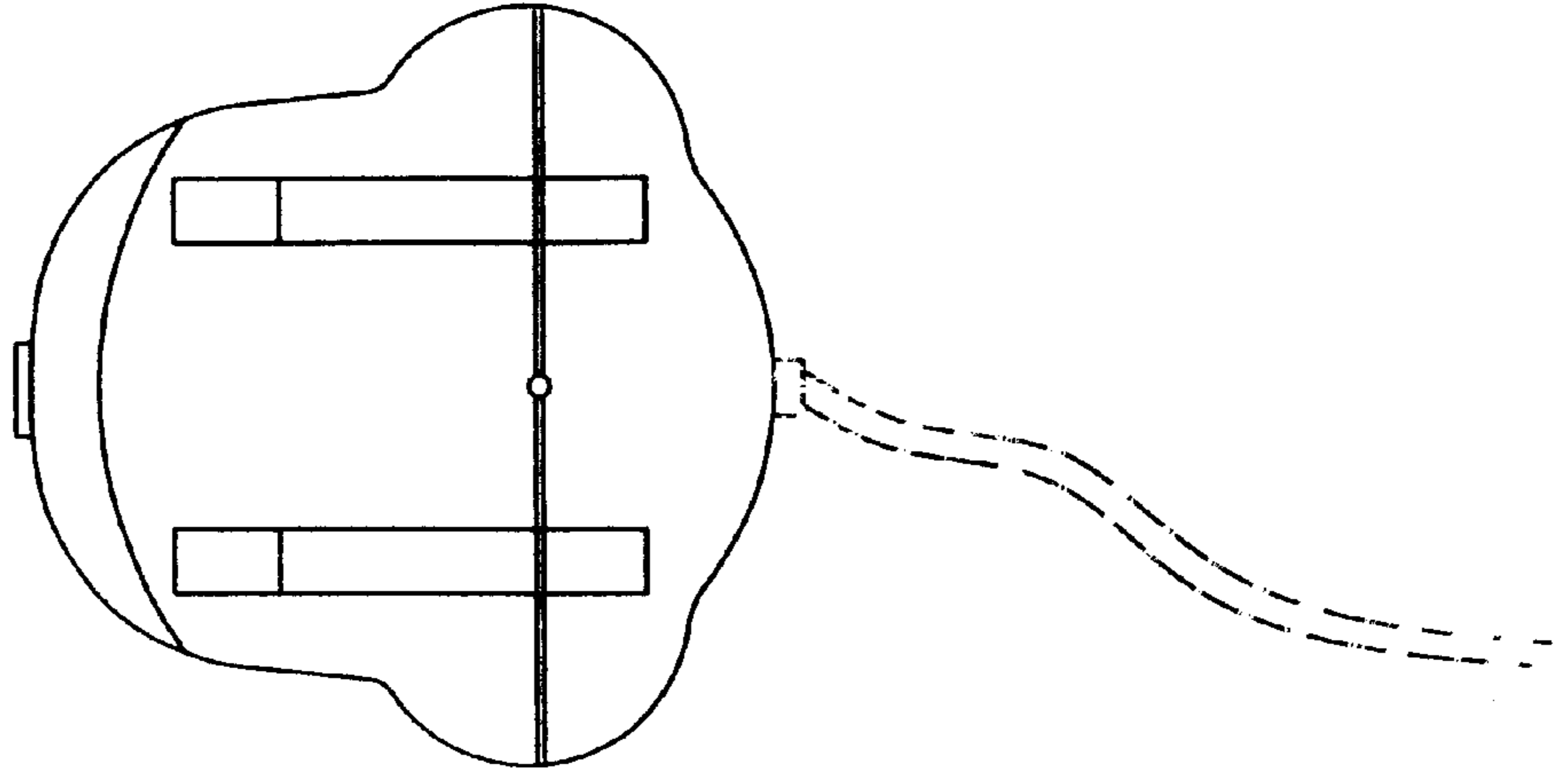


Fig. 7

