



US00D490945S

(12) **United States Design Patent**
Gomez et al.

(10) **Patent No.:** **US D490,945 S**

(45) **Date of Patent:** **** Jun. 1, 2004**

(54) **DISHWASHER CAGE**

(75) Inventors: **Monica Gomez**, Barcelona (ES);
Karl-Ludwig Gibis, Ludwigshafen
(DE); **Ralf Wiedemann**, Ludwigshafen
(DE)

(73) Assignee: **Reckitt Benckiser N.V.**, Hoofddorp
(NL)

(**) Term: **14 Years**

(21) Appl. No.: **29/175,819**

(22) Filed: **Feb. 11, 2003**

(30) **Foreign Application Priority Data**

Aug. 13, 2002 (GB) 3006188

(51) **LOC (7) Cl.** **15-05**

(52) **U.S. Cl.** **D32/3**

(58) **Field of Search** D32/1-3; 222/153.01,
222/153.04; 510/220; 220/555, 487, 488;
211/41.9; 134/58 D

(56) **References Cited**

U.S. PATENT DOCUMENTS

4,129,954 A * 12/1978 Hulteen D32/3 X

D254,187 S * 2/1980 Freese D32/3
4,512,489 A * 4/1985 Green et al. 220/488
5,603,431 A * 2/1997 Tuller 134/58 D X
D393,333 S * 4/1998 Kibler et al. D32/3

* cited by examiner

Primary Examiner—Louis S. Zarfes
Assistant Examiner—Robert A. Delehanty
(74) *Attorney, Agent, or Firm*—Norris McLaughlin &
Marcus

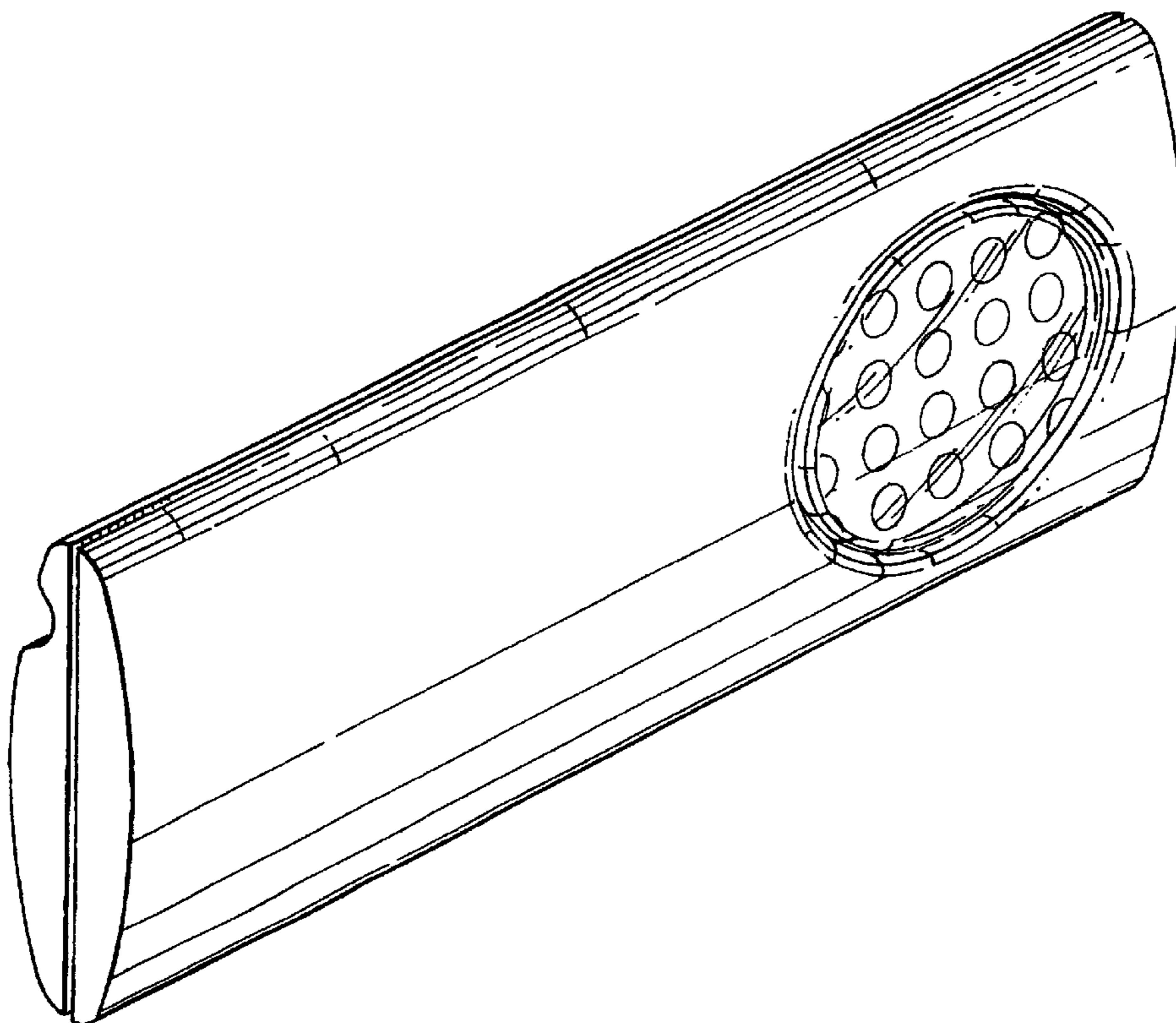
(57) **CLAIM**

The ornamental design for a dishwasher cage, as shown and described.

DESCRIPTION

FIG. 1 is a perspective view of the dishwasher cage.
FIG. 2 is a plan view from one side of the dishwasher cage.
FIG. 3 is plan view of an end of the dishwasher cage.
FIG. 4 is a plan view of a side of the dishwasher cage.
FIG. 5 is a plan view of a side of the dishwasher cage.
FIG. 6 is a plan view of an end of the dishwasher cage; and,
FIG. 7 is a plan view of a side of the dishwasher cage.

1 Claim, 3 Drawing Sheets



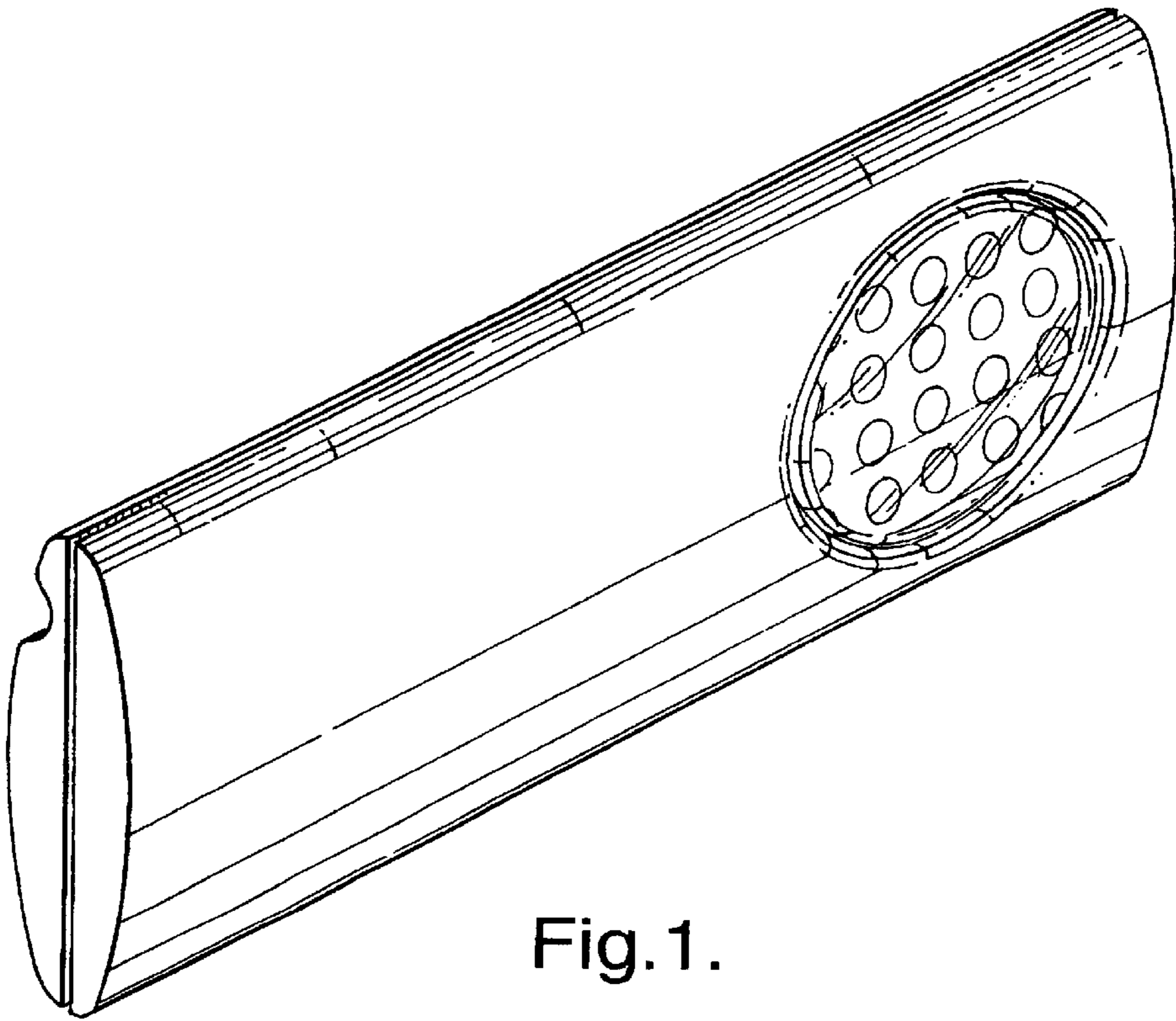


Fig. 1.

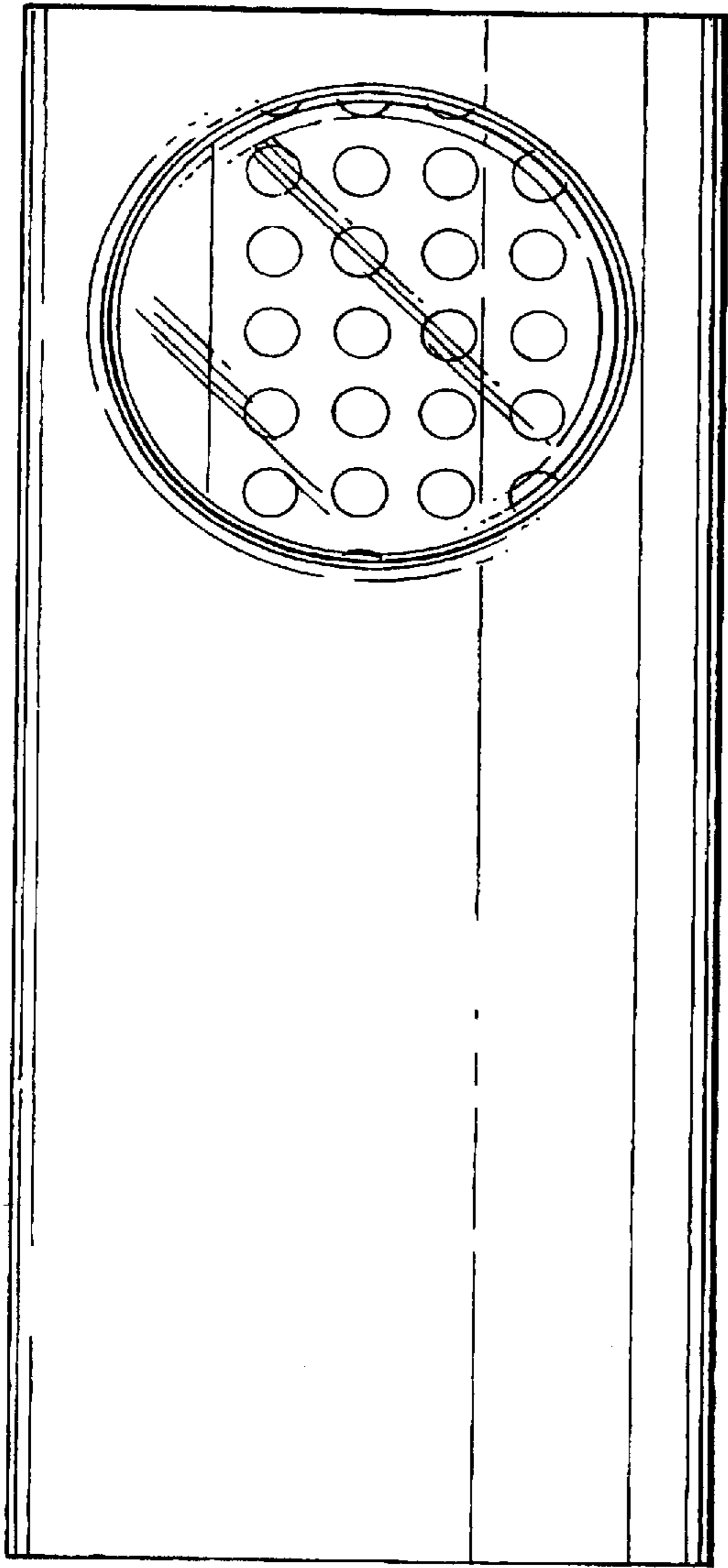


Fig. 2.

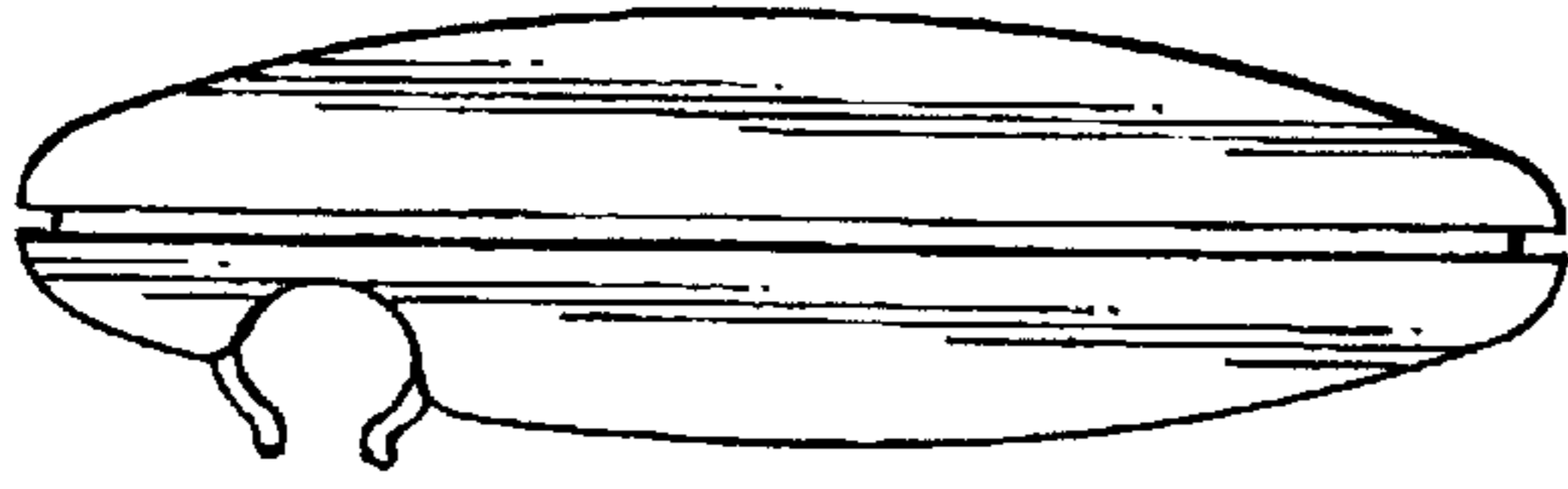


Fig. 3.

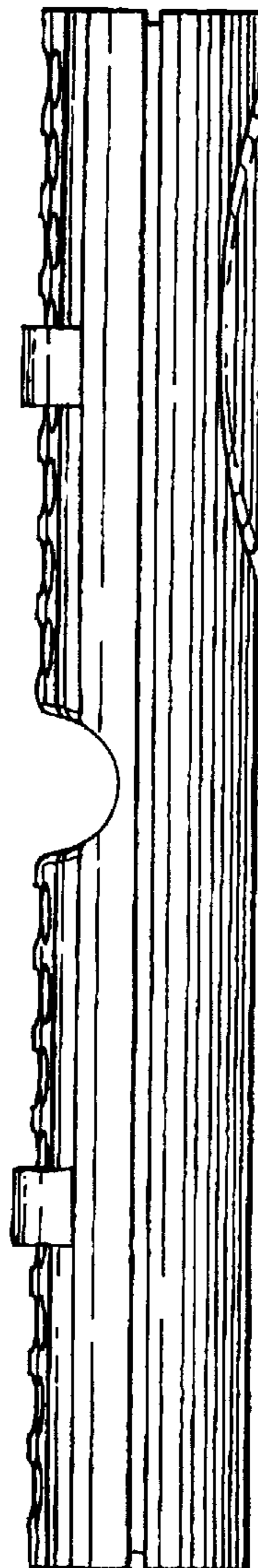


Fig. 4.

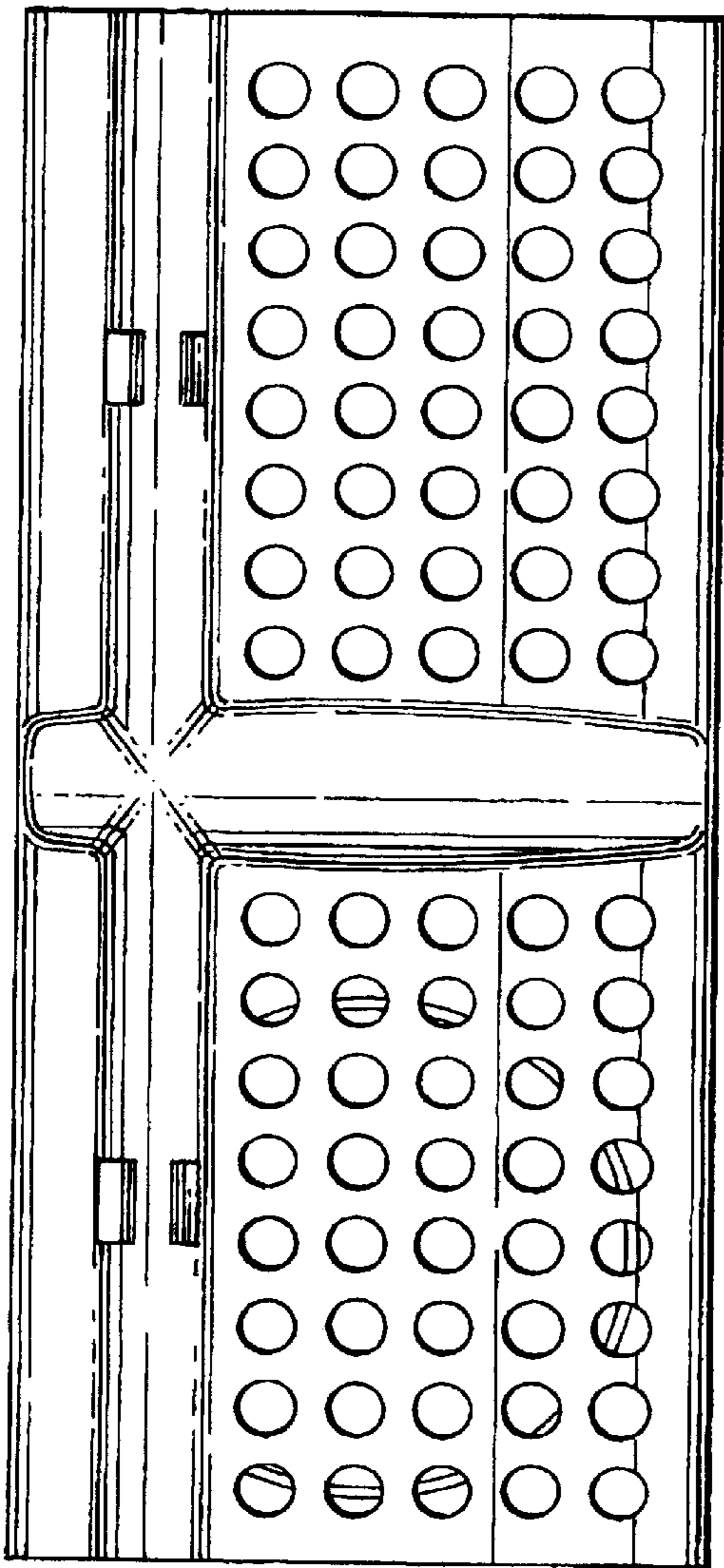


Fig. 5.

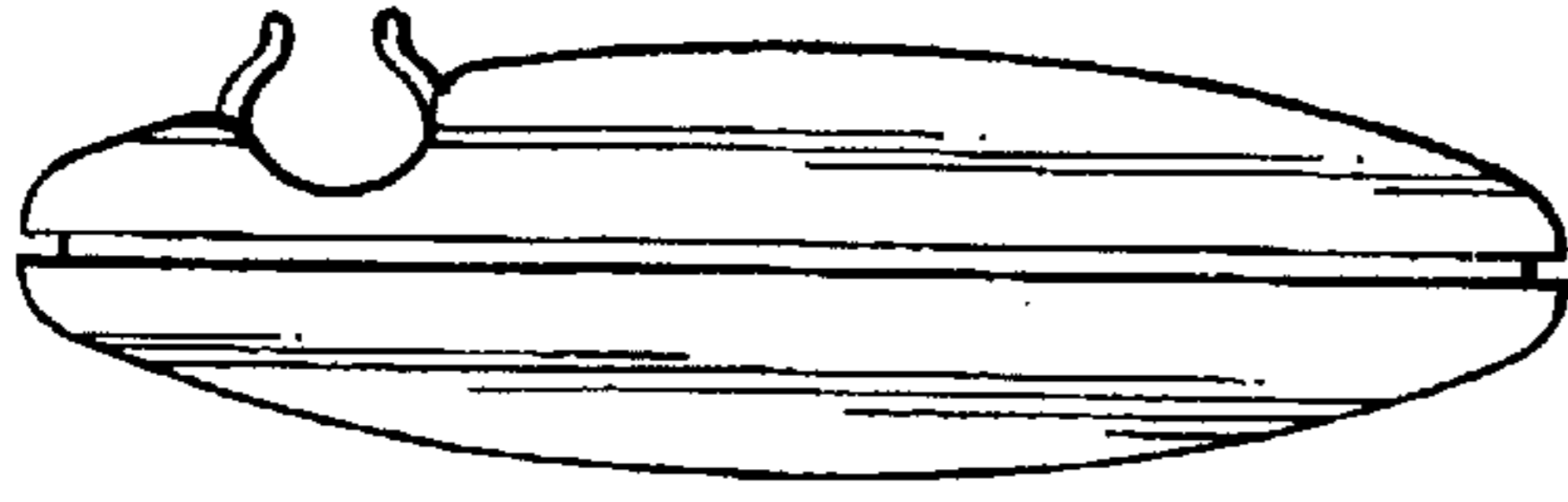


Fig. 6.

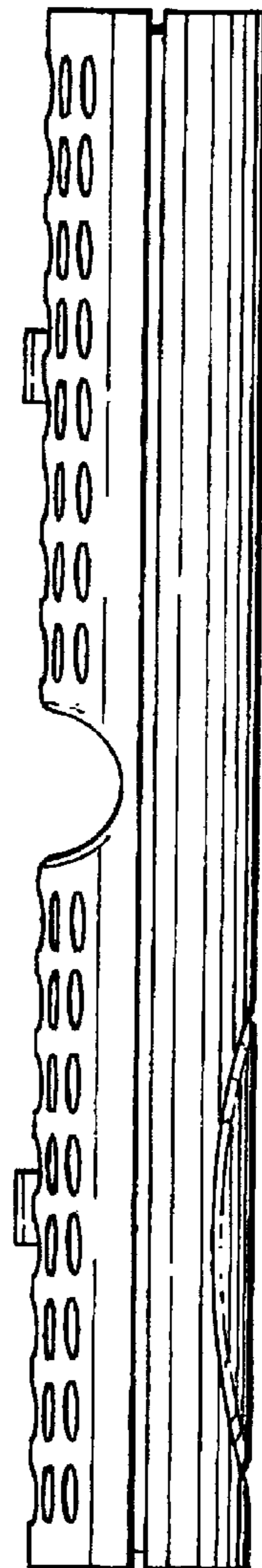


Fig. 7.