



US00D490944S

(12) **United States Design Patent**  
**Mallon**

(10) **Patent No.:** **US D490,944 S**

(45) **Date of Patent:** **\*\* Jun. 1, 2004**

(54) **PIVOTABLE APPLIANCE CONSOLE**

(75) **Inventor:** **Todd Mallon, Waunakee, WI (US)**

(73) **Assignee:** **Latitude Corp., Verona, WI (US)**

(\*\*) **Term:** **14 Years**

(21) **Appl. No.:** **29/164,315**

(22) **Filed:** **Jul. 19, 2002**

(51) **LOC (7) Cl.** ..... **15-05**

(52) **U.S. Cl.** ..... **D32/3; D7/406**

(58) **Field of Search** ..... **D32/1-3, 5-6,**  
**D32/8, 10, 25, 28; 134/58 D, 93; 68/3 R,**  
**212; 34/523, 603; 312/31, 136; D7/406**

(56) **References Cited**

**U.S. PATENT DOCUMENTS**

D179,403 S	*	12/1956	Wilson	.....	D7/406
D214,193 S	*	5/1969	Swartz	.....	D32/3
D253,770 S	*	12/1979	Flynn et al.	.....	D32/3
4,329,596 A	*	5/1982	Marcade	.....	134/58 D X
5,067,938 A	*	11/1991	Uchida et al.	.....	68/3 R X

D380,883 S	*	7/1997	Katz et al.	.....	D32/25
D398,102 S	*	9/1998	Schober	.....	D32/25
6,007,640 A	*	12/1999	Neff et al.	.....	134/58 D X

\* cited by examiner

*Primary Examiner*—Louis S. Zarfaz

*Assistant Examiner*—Robert A. Delehanty

(74) *Attorney, Agent, or Firm*—Medlen & Carroll, LLP

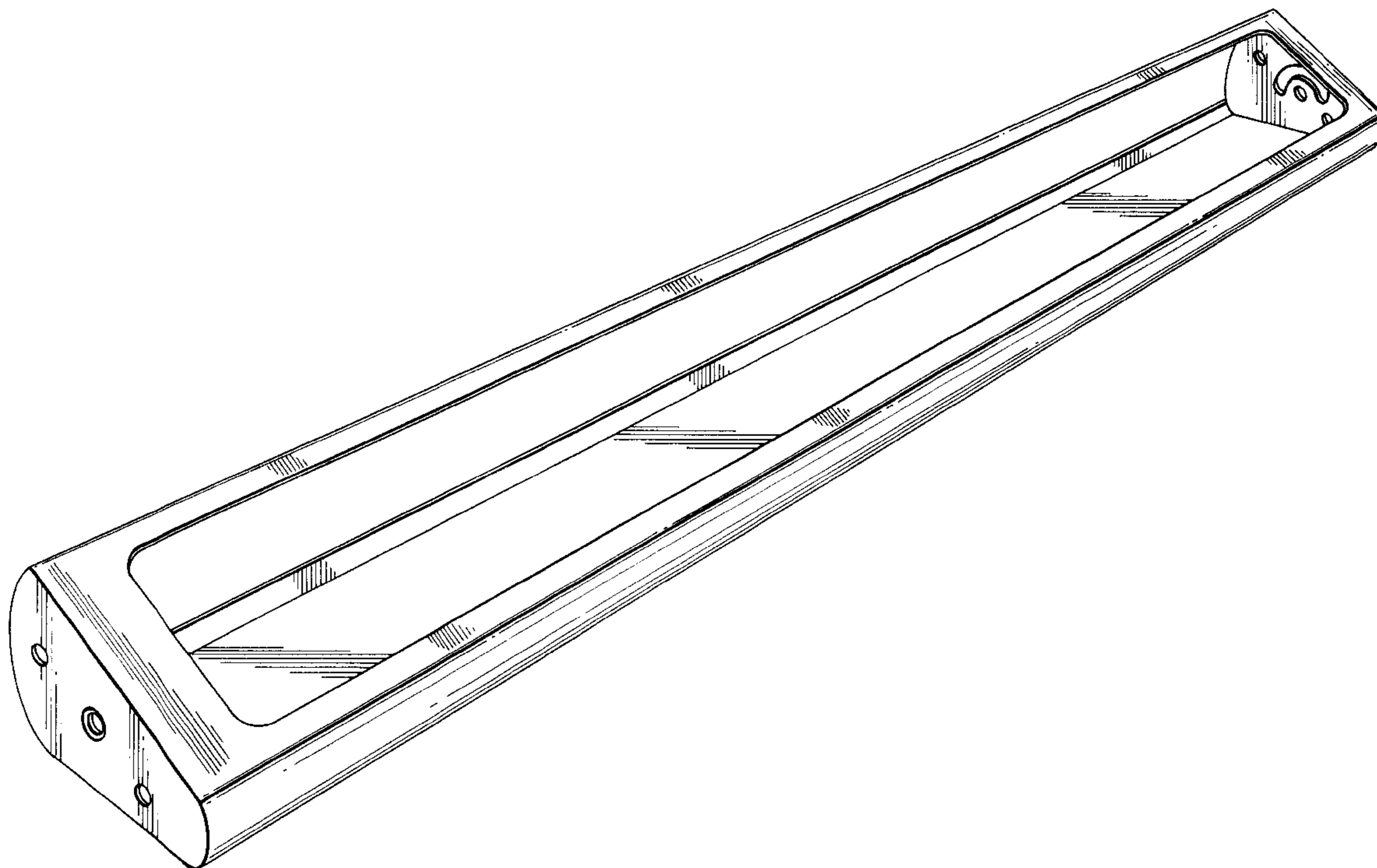
(57) **CLAIM**

I claim the ornamental design for a pivotable appliance console, substantially as shown.

**DESCRIPTION**

FIG. 1 is a perspective view of the pivotable appliance console showing its new design;  
FIG. 2 is a top view thereof;  
FIG. 3 is an end view thereof;  
FIG. 4 is an end view thereof;  
FIG. 5 is an additional front view thereof;  
FIG. 6 is an additional front view thereof; and,  
FIG. 7 is an additional front view thereof.

**1 Claim, 3 Drawing Sheets**



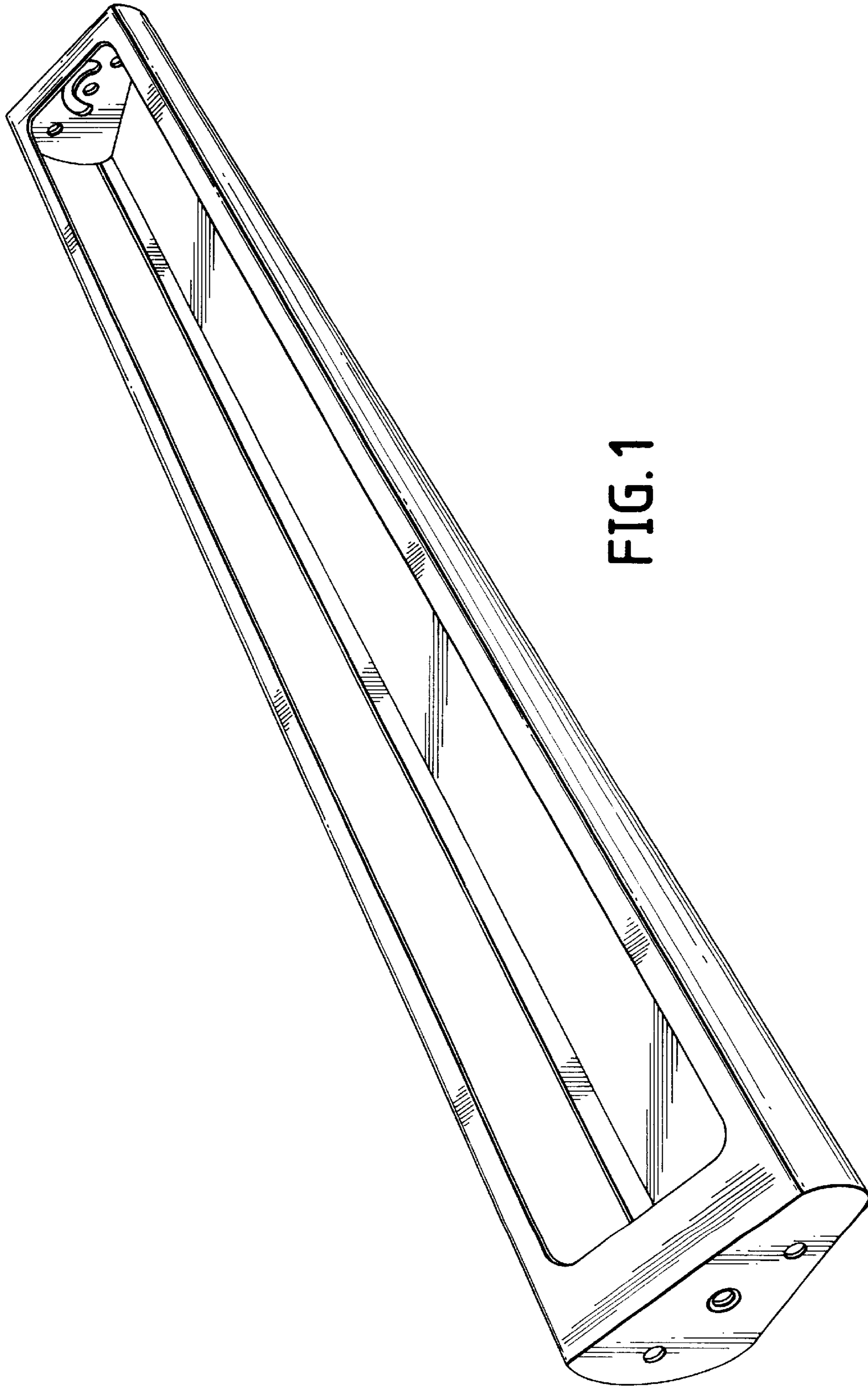


FIG. 1

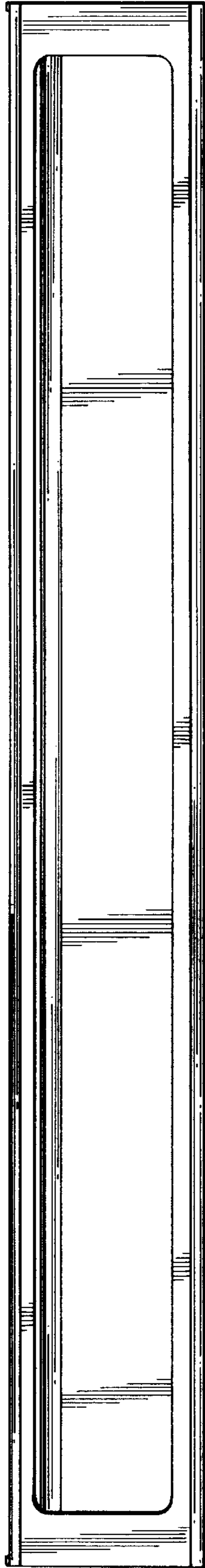


FIG. 2

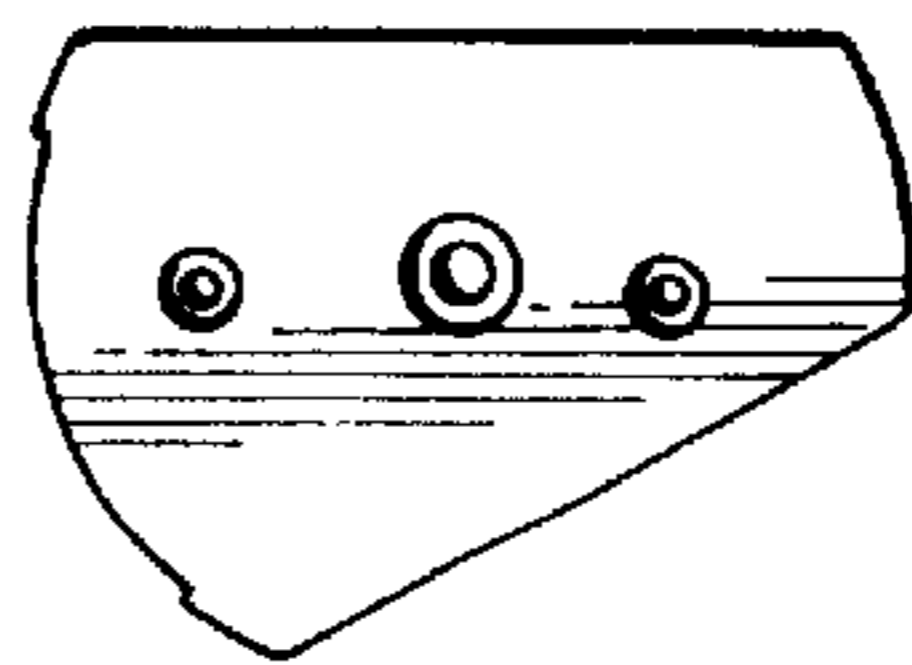


FIG. 3

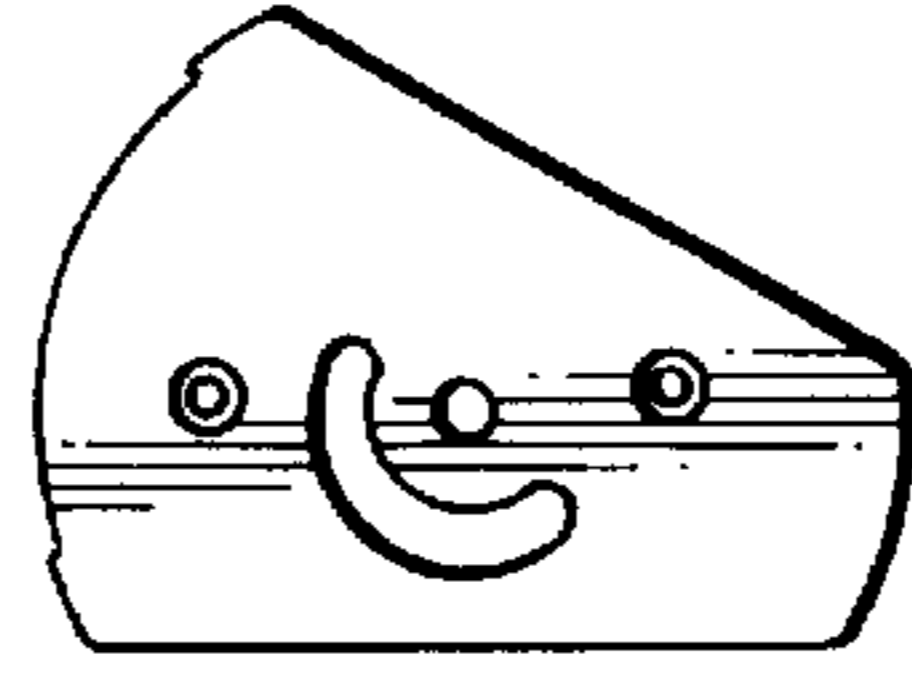


FIG. 4



FIG. 5

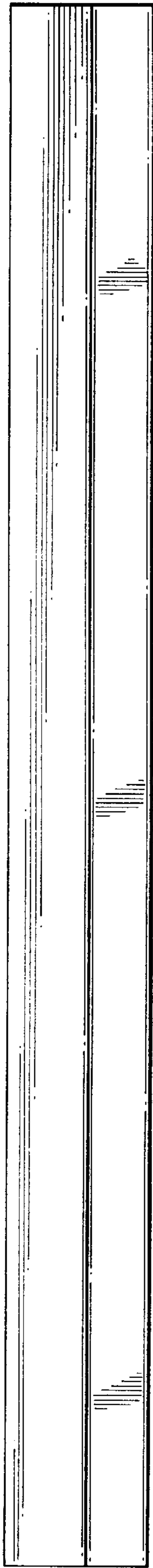


FIG. 6

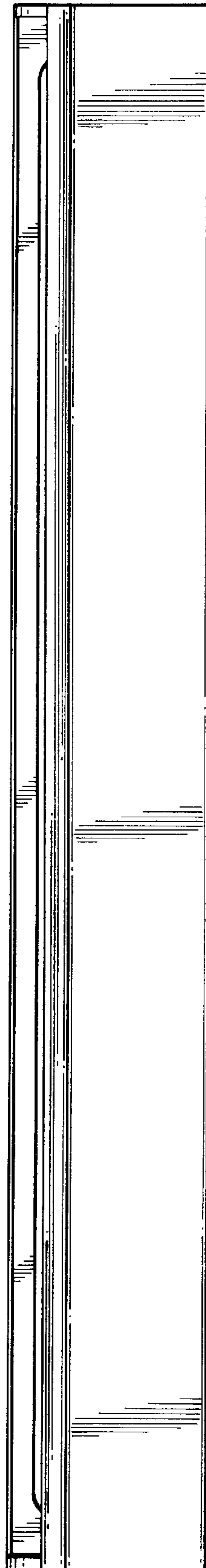


FIG. 7