



US00D490943S

(12) **United States Design Patent**
Logan

(10) **Patent No.:** **US D490,943 S**

(45) **Date of Patent:** **** Jun. 1, 2004**

(54) **DISPOSABLE RECEPTACLE FOR PET EXCREMENT**

D334,255 S 3/1993 Nelson

(List continued on next page.)

(76) Inventor: **Mark A. Logan**, 10913 - 79A Avenue, Delta, British Columbia (CA), V4C 1T3

Primary Examiner—Cathy Anne MacCormac

(74) *Attorney, Agent, or Firm*—Oyen Wiggs Green & Mutala

(**) Term: **14 Years**

(57) **CLAIM**

(21) Appl. No.: **29/166,014**

The ornamental design for a disposable receptacle for pet excrement, as shown and described.

(22) Filed: **Aug. 22, 2002**

(51) **LOC (7) Cl.** **30-99**

DESCRIPTION

(52) **U.S. Cl.** **D30/162**

(58) **Field of Search** D30/162; D8/10; D7/686-688; 294/1.3, 1.4, 55, 55.5, 99.2; 172/300; 119/867; 15/104.8, 236.01, 257.6, 257.7; 229/117.01, 117.03, 117.05, 117.06, 104

FIG. 1 is a bottom plan view of the blank of a disposable receptacle for pet excrement showing my new design; FIG. 2 is a top plan view of the assembled but flattened receptacle;

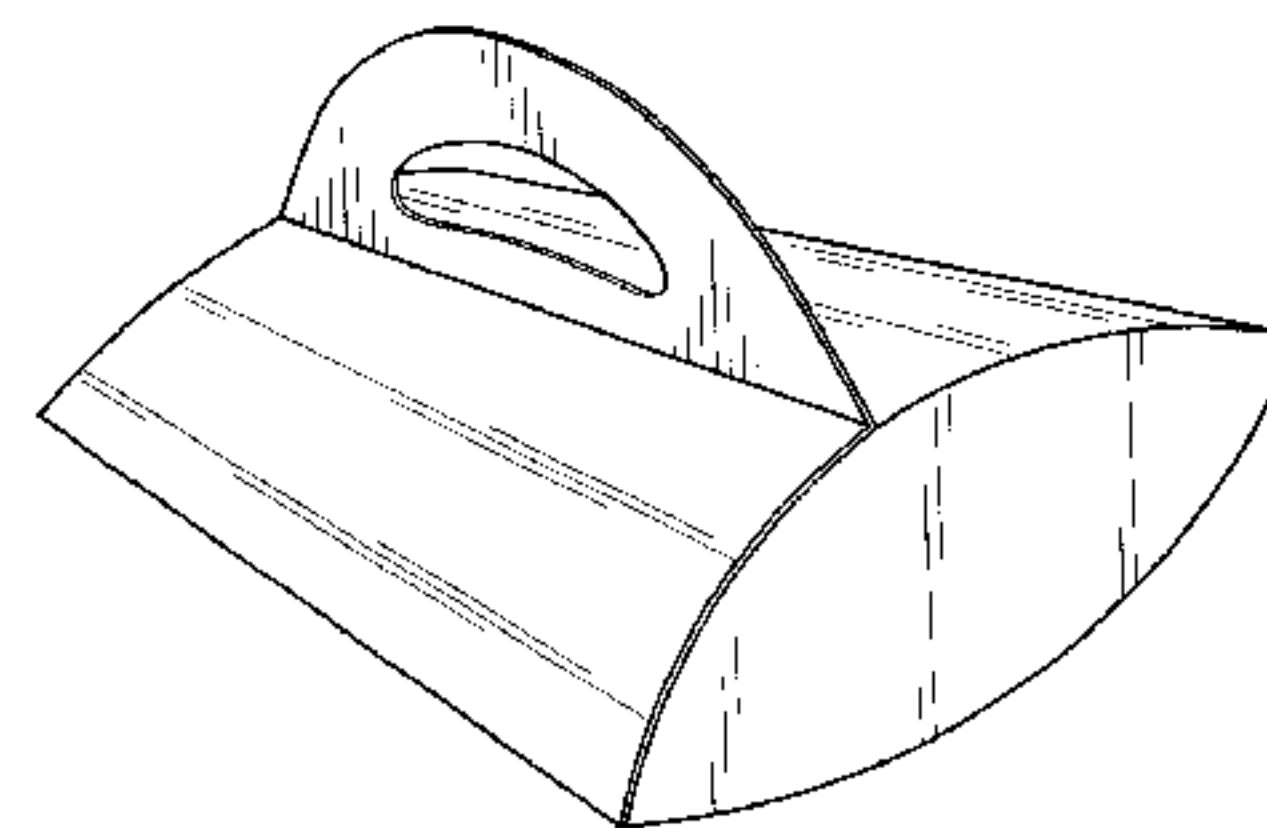
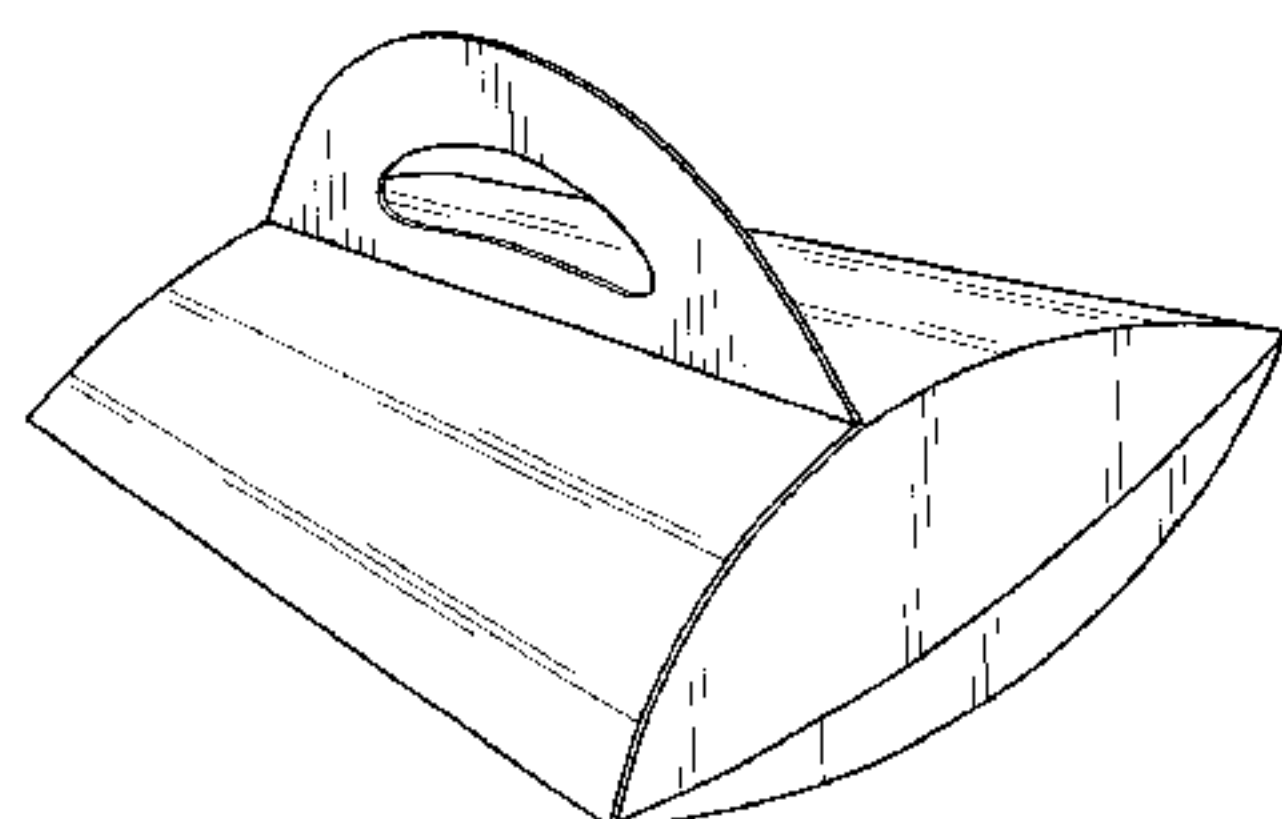
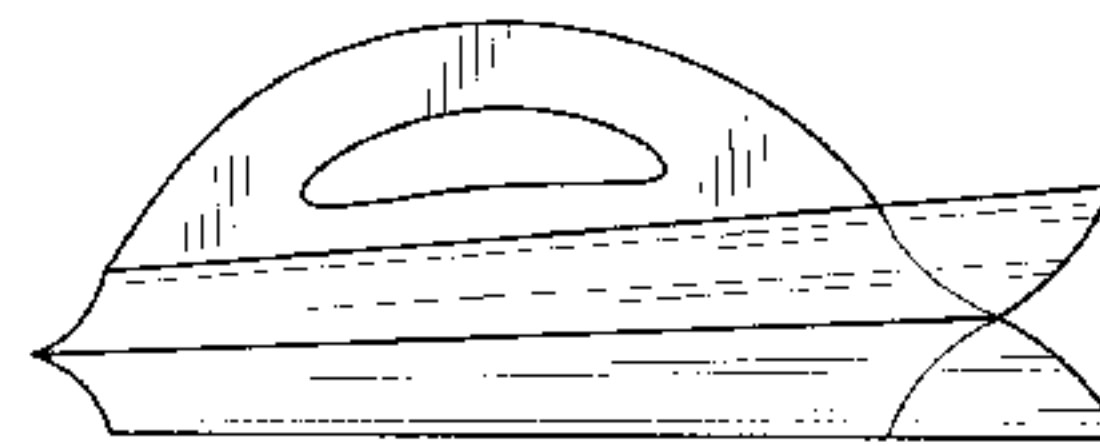
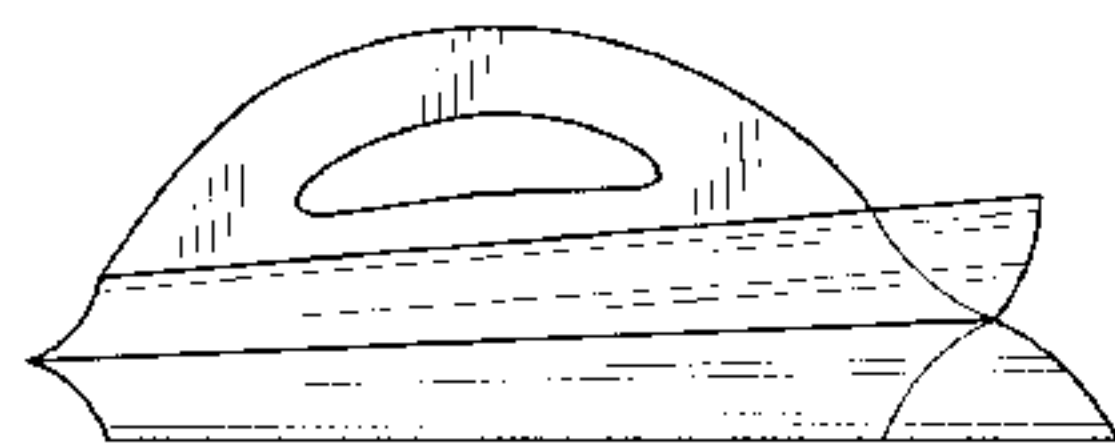
(56) **References Cited**

U.S. PATENT DOCUMENTS

2,966,293 A	12/1960	Goldsholl	
3,630,430 A	12/1971	Struble	
3,676,887 A	7/1972	Klein	
3,685,088 A	8/1972	Doherty	
3,767,247 A	10/1973	Wetzler	
3,806,984 A	4/1974	Hilsabeck	
3,837,696 A	9/1974	Dahlke	
3,885,266 A	5/1975	Nafziger	
3,929,222 A	12/1975	Smith et al.	
3,971,503 A	7/1976	Allan et al.	
3,995,807 A	12/1976	Dell'Anno	
4,017,015 A	4/1977	Jefferson	
4,138,153 A	2/1979	Brown	
4,222,598 A	9/1980	Ullger	
D257,406 S	10/1980	Ouellette	
4,267,955 A	5/1981	Struble	
4,272,116 A	6/1981	Tufte, Jr.	
4,410,129 A *	10/1983	Wischusen III 229/117.05
4,458,932 A	7/1984	Resch	
4,711,389 A	12/1987	Alba et al.	
4,974,893 A	12/1990	Grahn	
5,037,149 A	8/1991	Beck	
5,039,148 A	8/1991	Brautovich	
5,186,384 A	2/1993	Nelson	

FIG. 3 is a bottom plan view of FIG. 2; FIG. 4 is a perspective view of the assembled receptacle with the rear closed and the scoop open; FIG. 5 is a top plan view of FIG. 4; FIG. 6 is a bottom plan view of FIG. 4; FIG. 7 is a front view of FIG. 4; FIG. 8 is a rear view of the FIG. 4; FIG. 9 is a side view of FIG. 4; FIG. 10 is a front perspective view with the rear closed and the scoop closed; FIG. 11 is a top plan view of FIG. 10; FIG. 12 is a bottom plan view of FIG. 10; FIG. 13 is a front view of FIG. 10; FIG. 14 is a side view of FIG. 10; FIG. 15 is a bottom plan view of the blank for a second embodiment of FIG. 1; FIG. 16 is a top plan view of the assembled but flattened receptacle of FIG. 15; FIG. 17 is a perspective view of the assembled receptacle of FIG. 16 with the rear closed and the scoop open; FIG. 18 is a top plan view of FIG. 17; FIG. 19 is a side view of FIG. 17; FIG. 20 is a front perspective view of the receptacle of FIG. 16 with the rear closed and the scoop closed; and, FIG. 21 is a front view of FIG. 20.

1 Claim, 11 Drawing Sheets



US D490,943 S

Page 2

U.S. PATENT DOCUMENTS

5,301,870 A	4/1994	Smith et al.	6,036,628 A	3/2000	Romer	
5,540,333 A *	7/1996	Gonzalez et al.	6,050,482 A *	4/2000	Cai	229/104
5,564,762 A	10/1996	Ring	6,053,403 A *	4/2000	Cai	229/104
5,584,519 A	12/1996	Myles et al.	6,126,215 A	10/2000	Jahns	
D386,840 S	11/1997	Sturm	6,135,519 A	10/2000	Kotlinski	
5,829,671 A	11/1998	Hawk	6,561,414 B1 *	5/2003	Cai	229/104
D418,261 S	12/1999	Betts et al.				

* cited by examiner

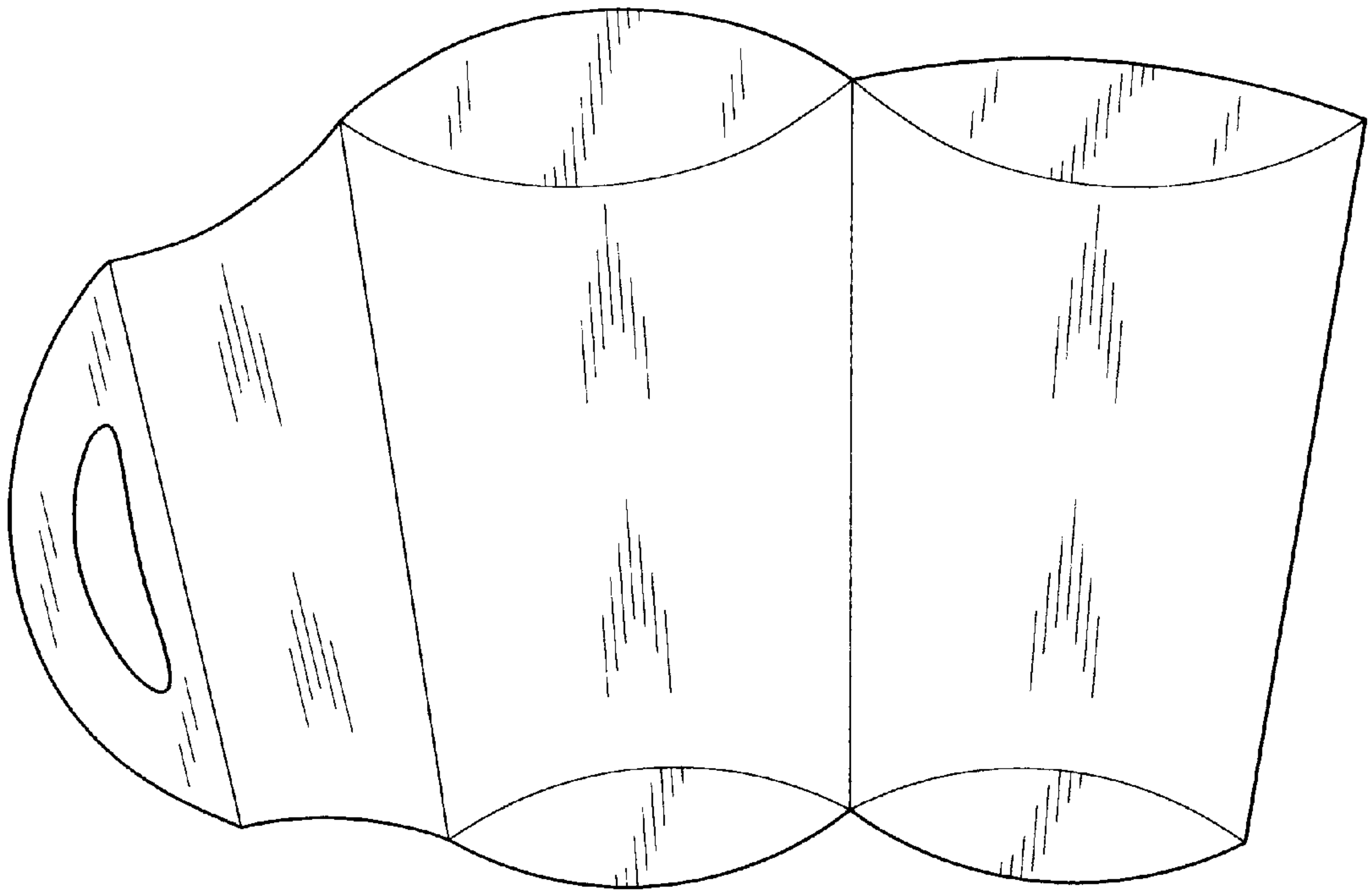


FIG. 1

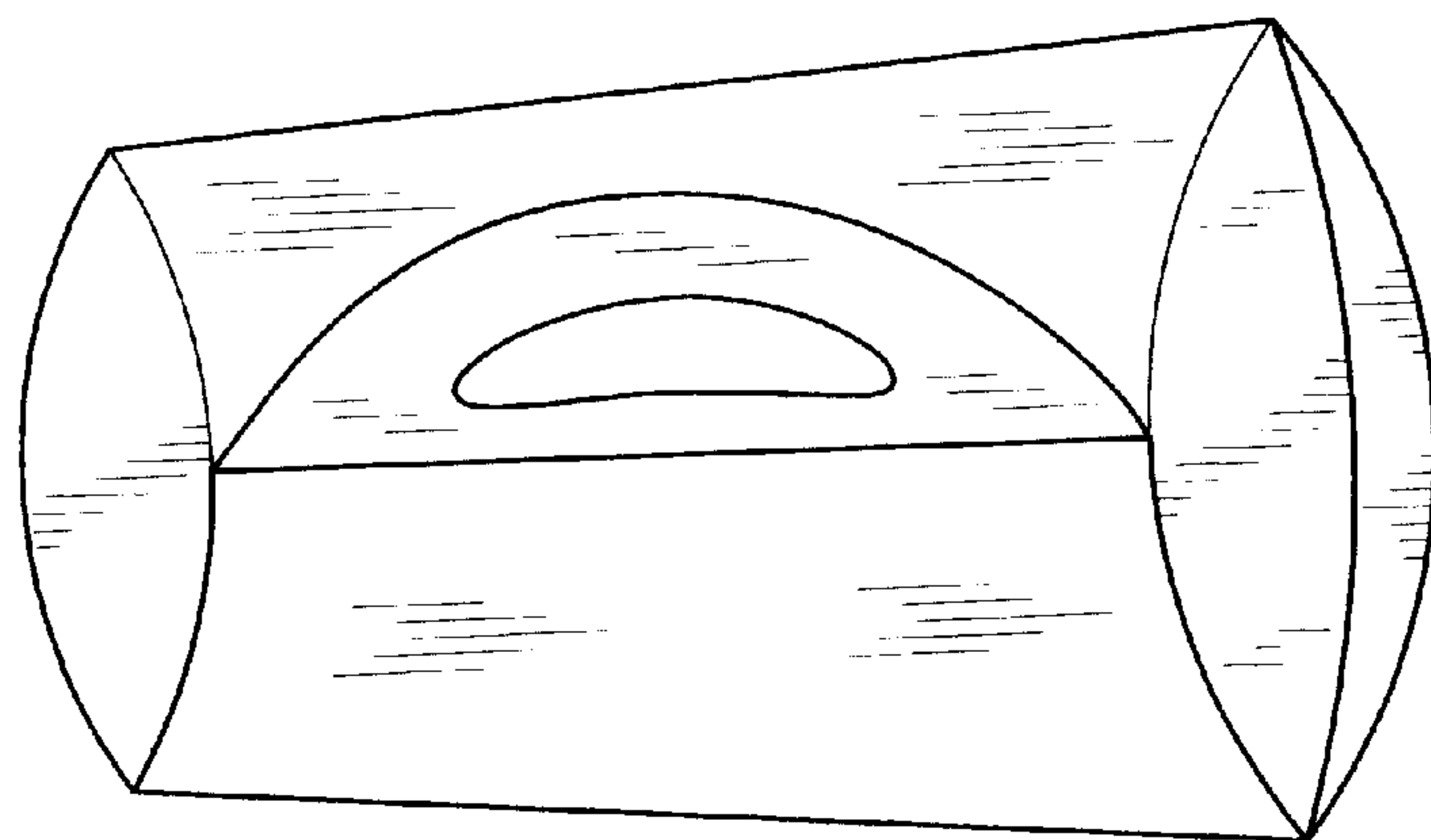


FIG. 2

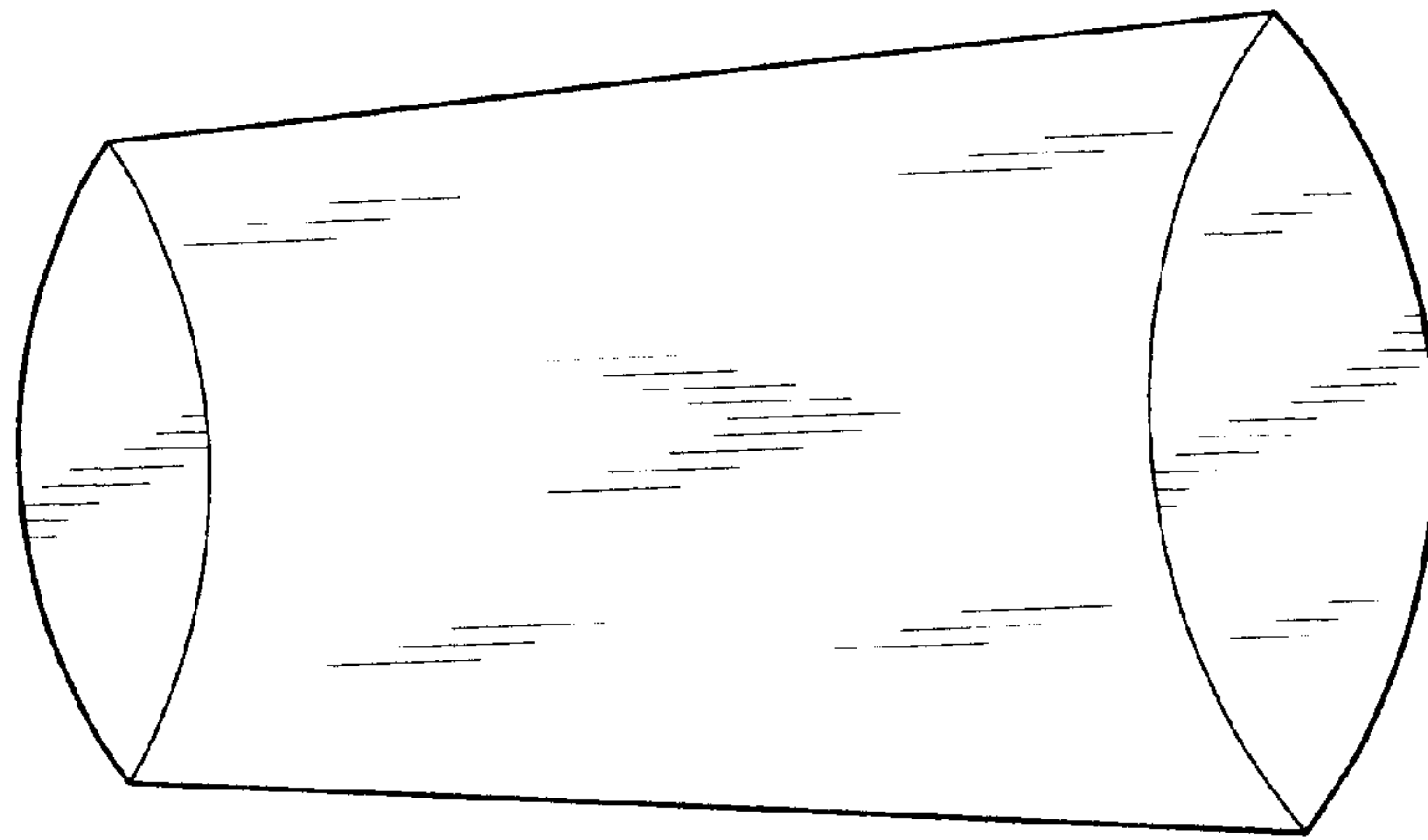


FIG. 3

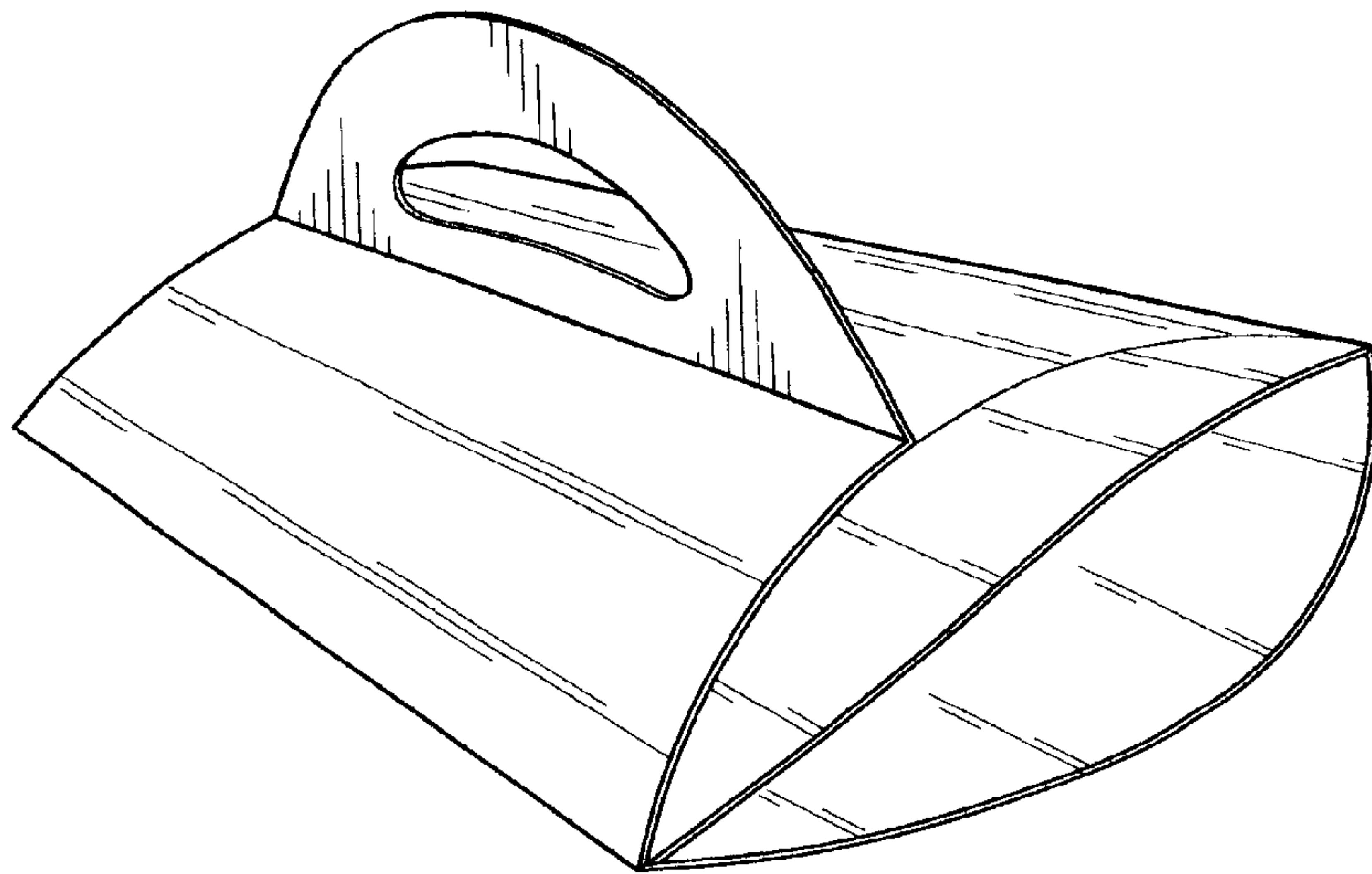


FIG. 4

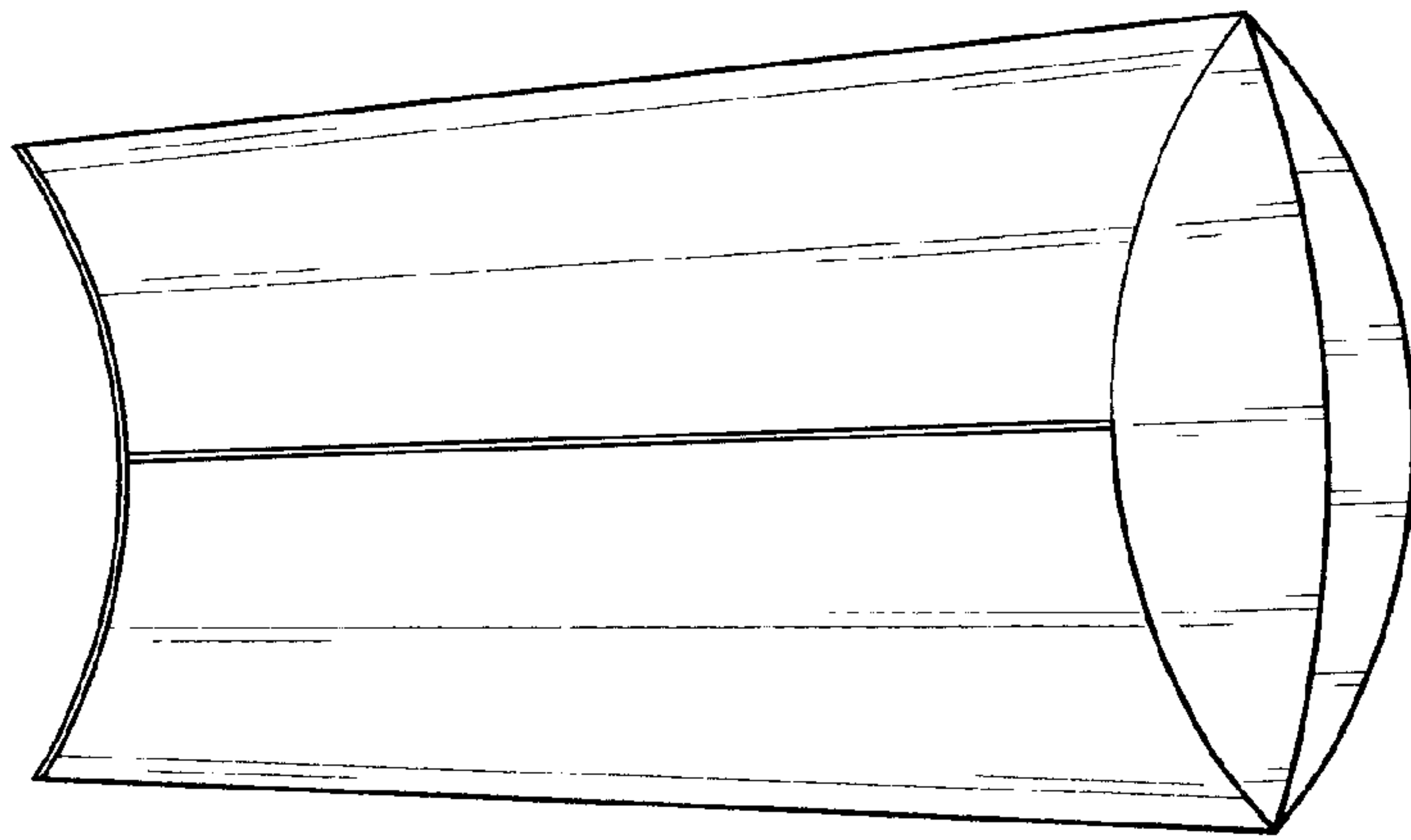


FIG. 5

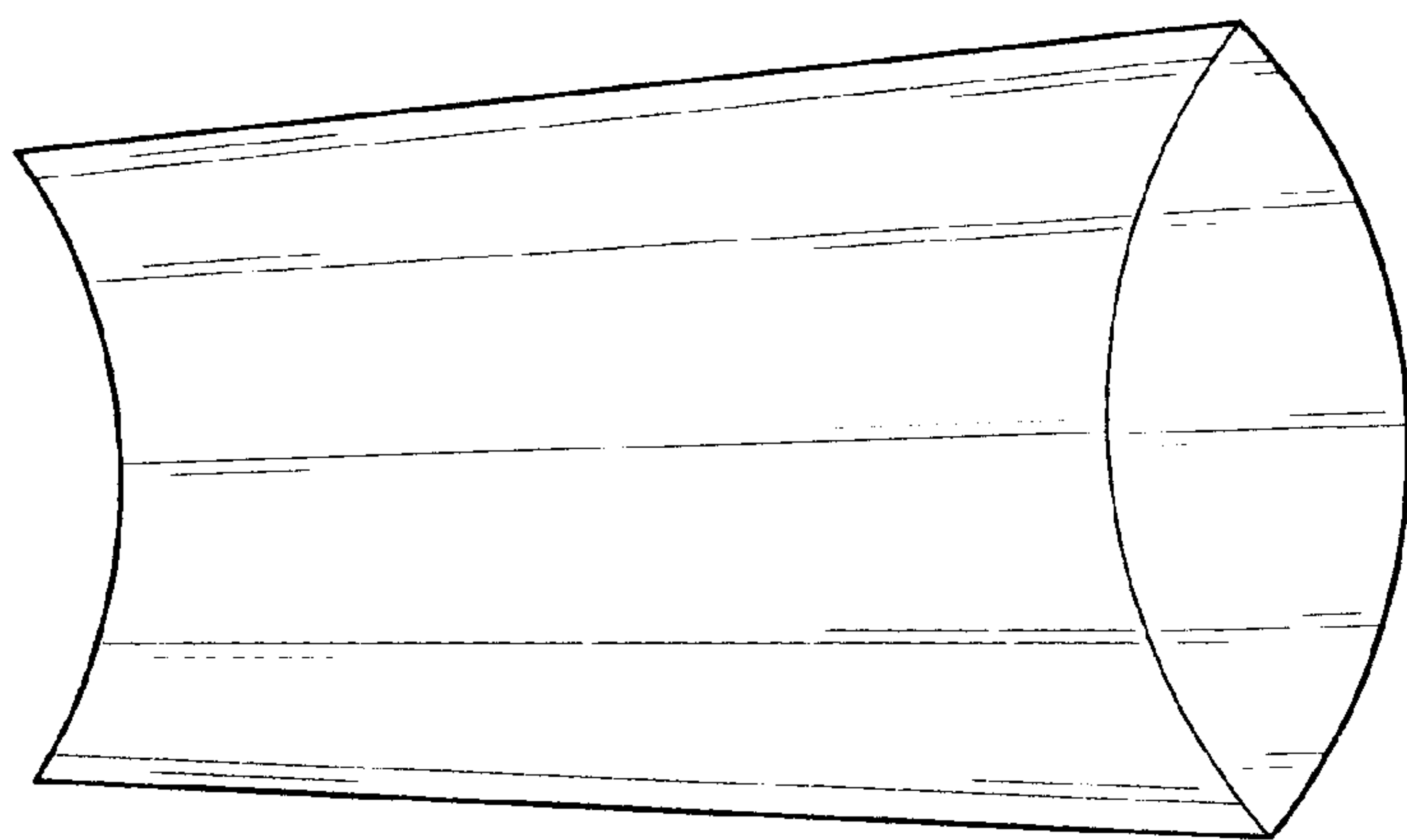


FIG. 6

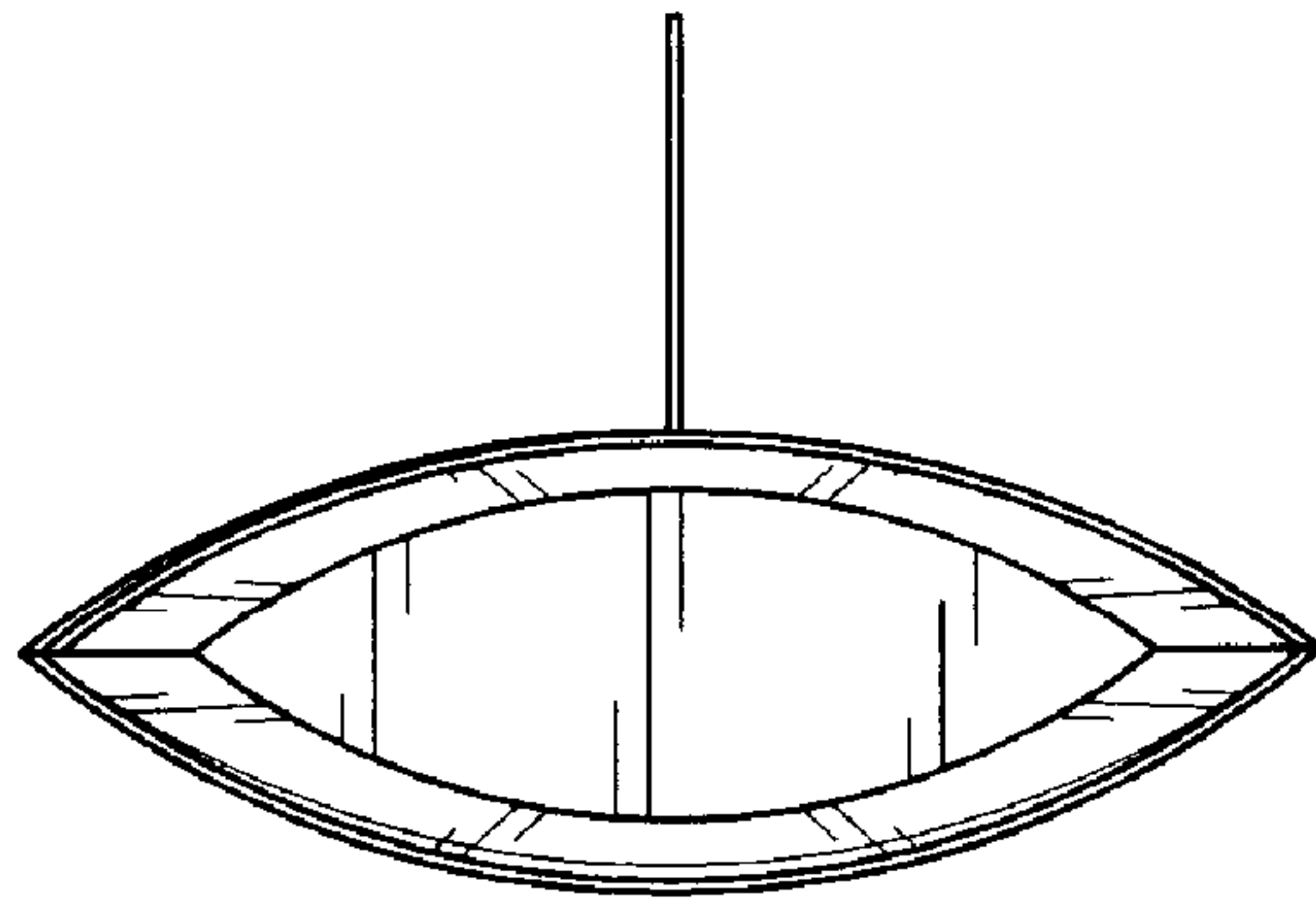


FIG. 7

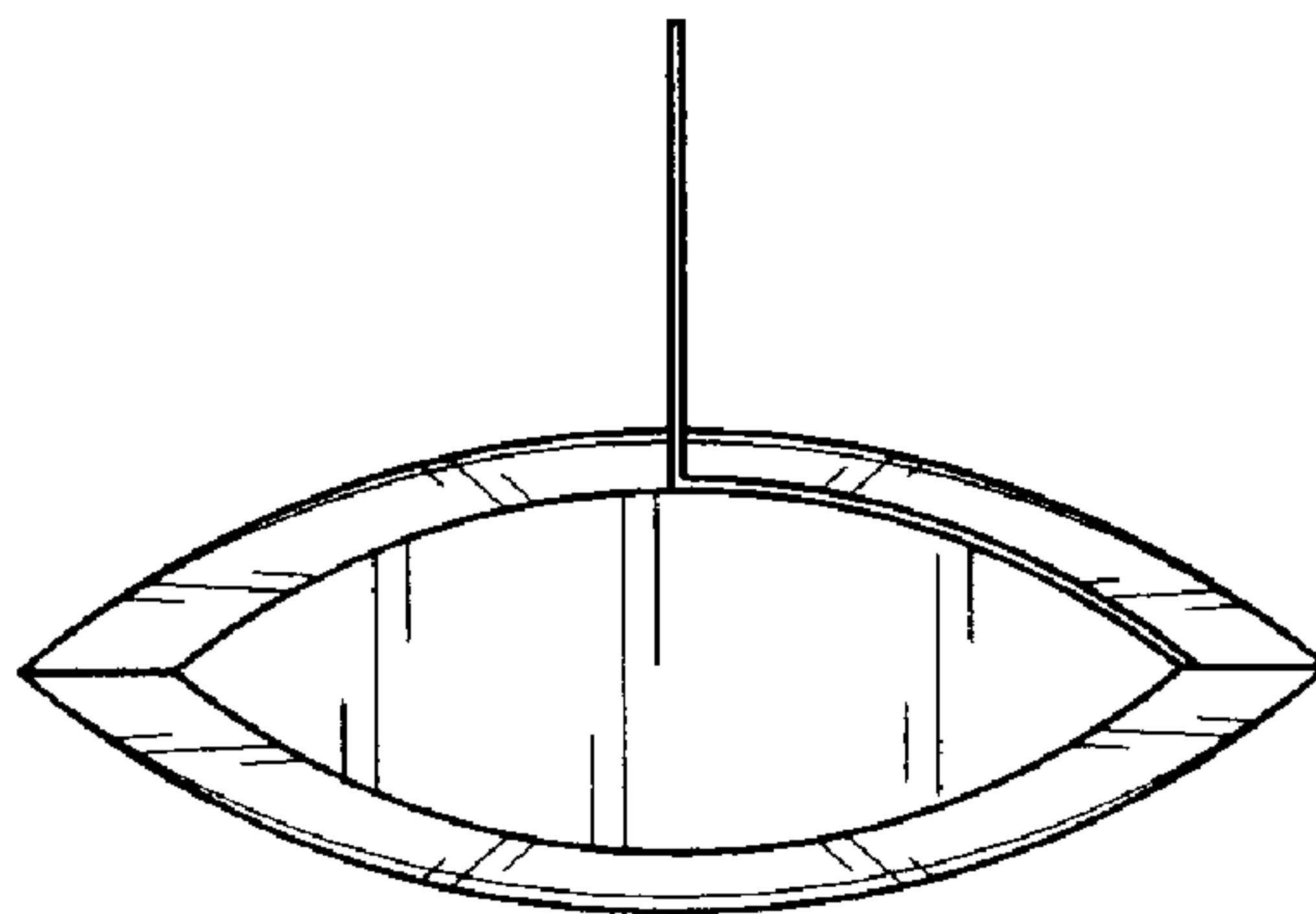


FIG. 8

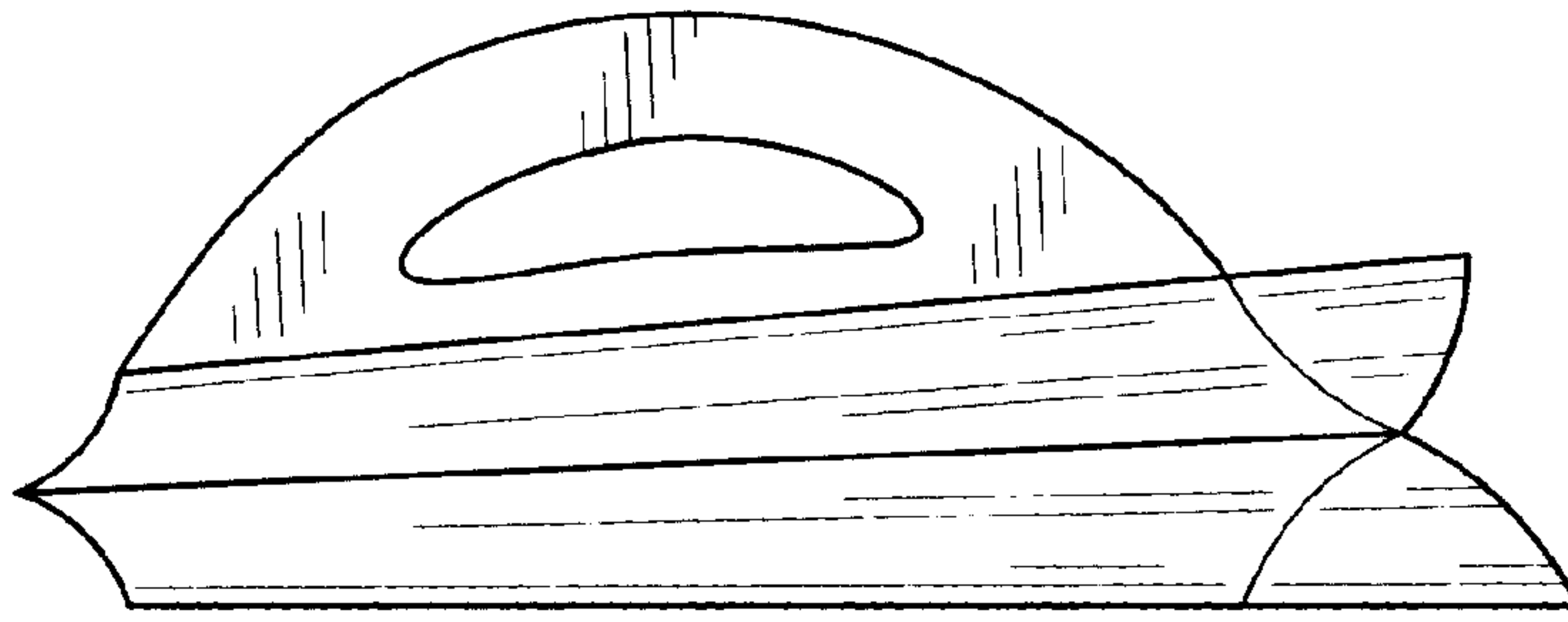


FIG. 9

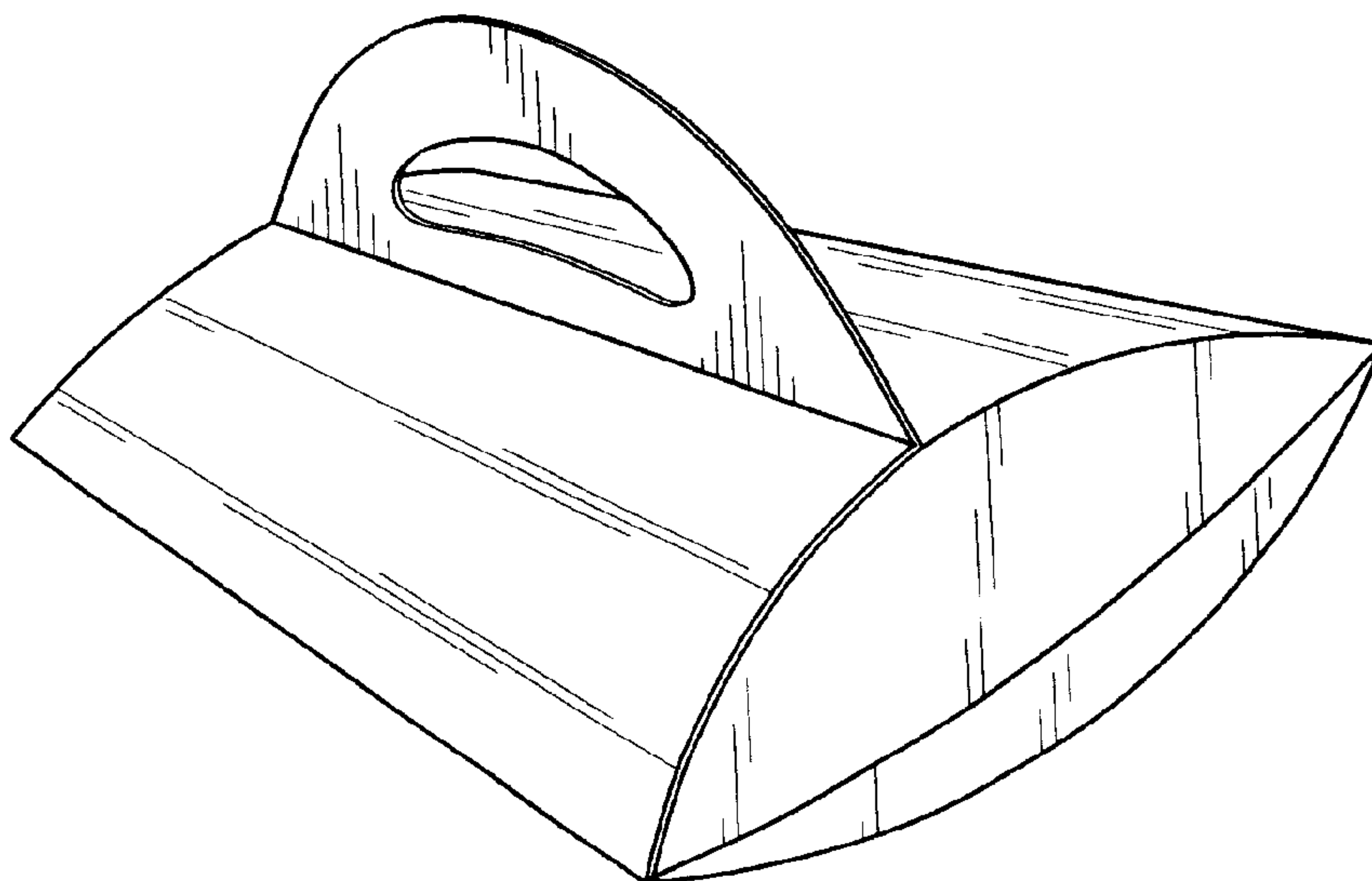


FIG. 10

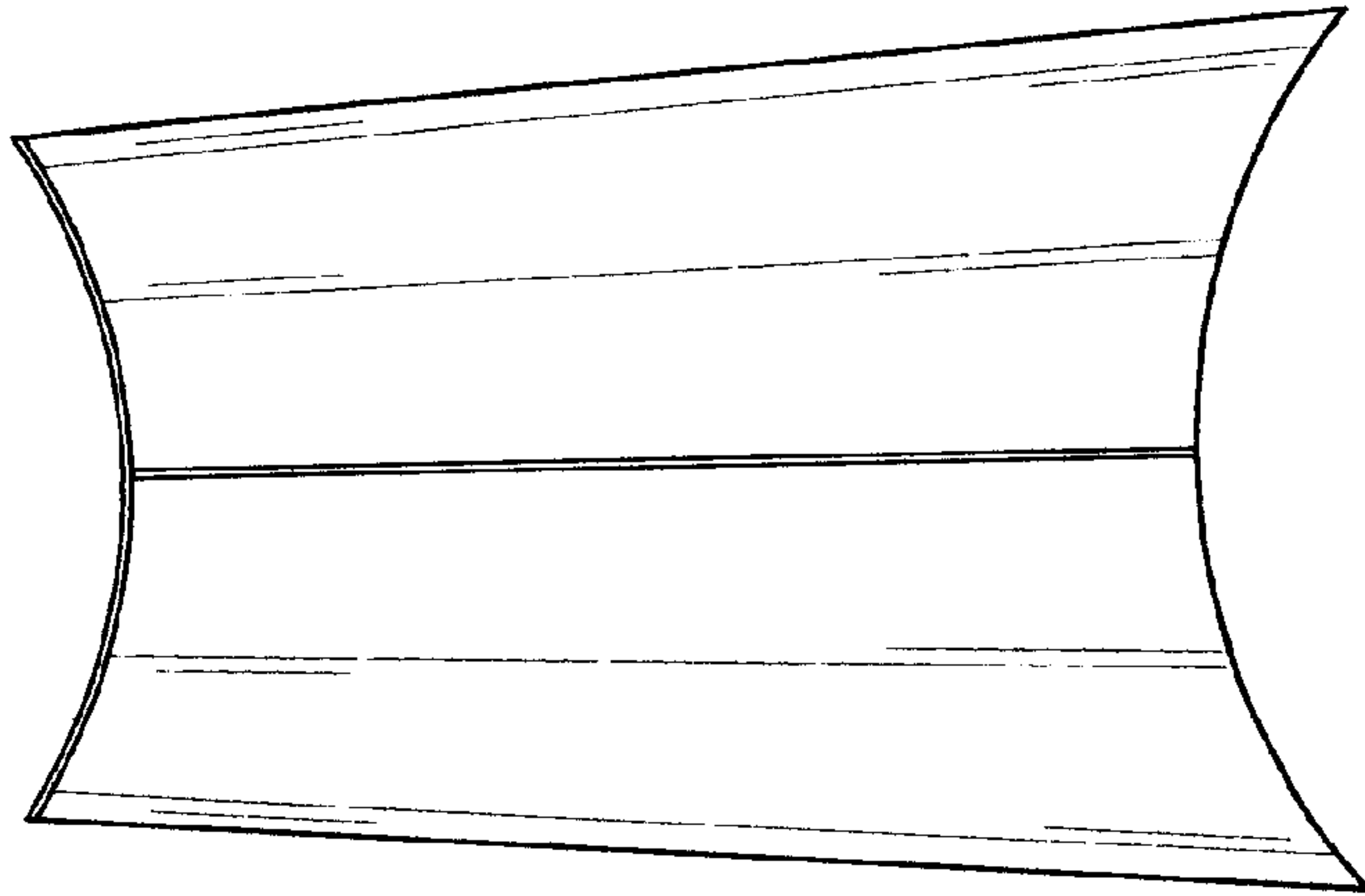


FIG. 11

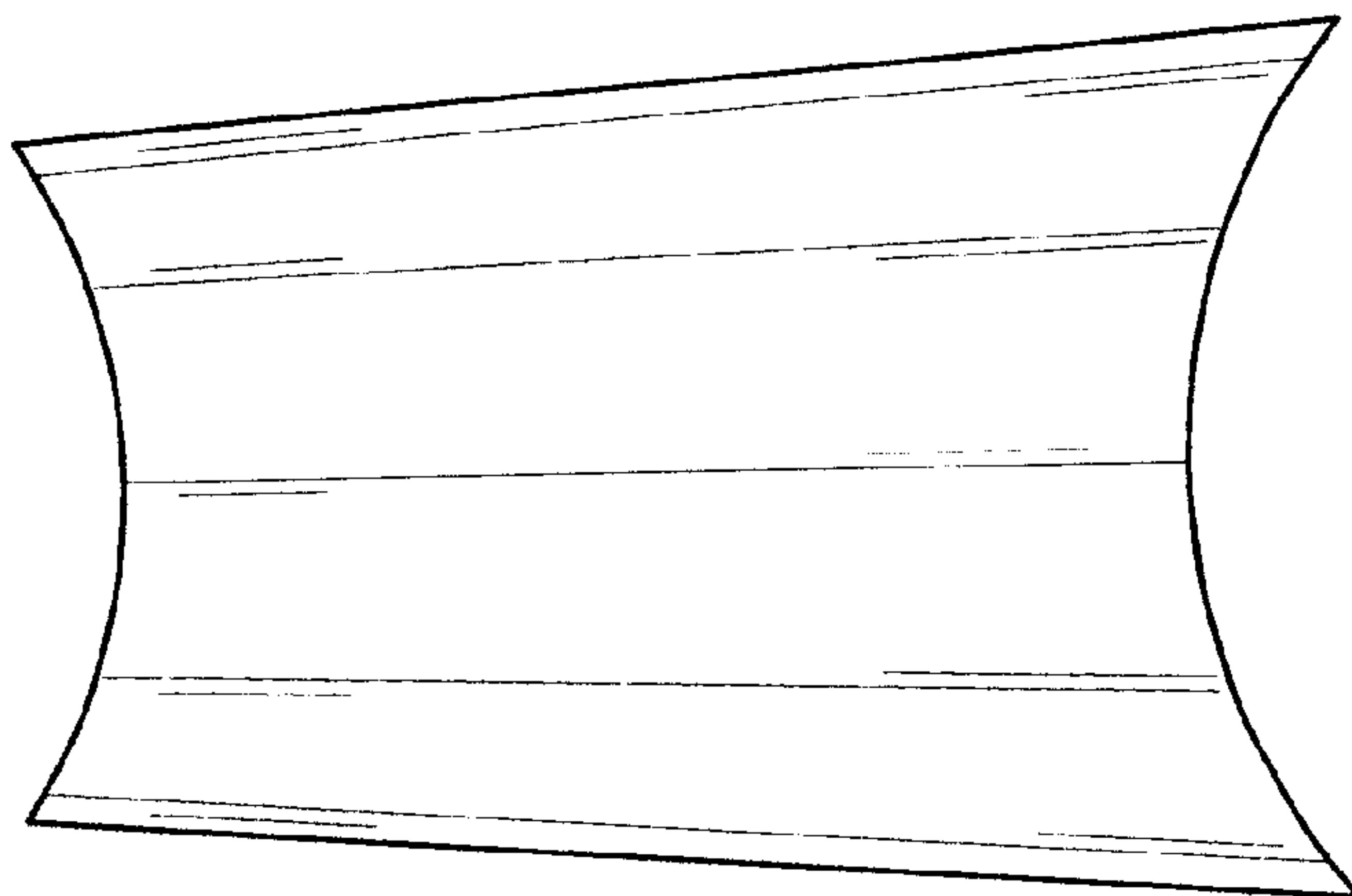


FIG. 12

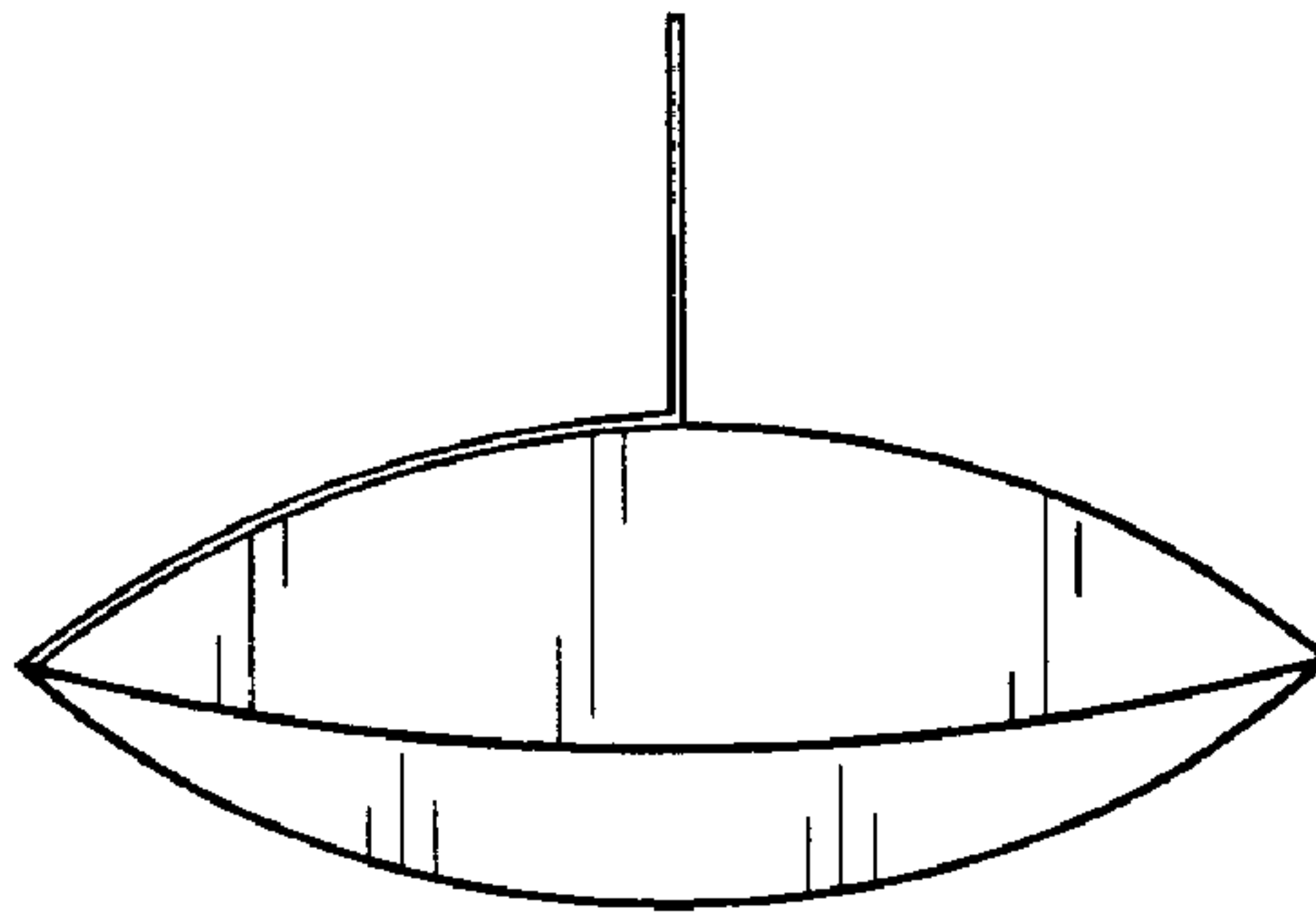


FIG. 13

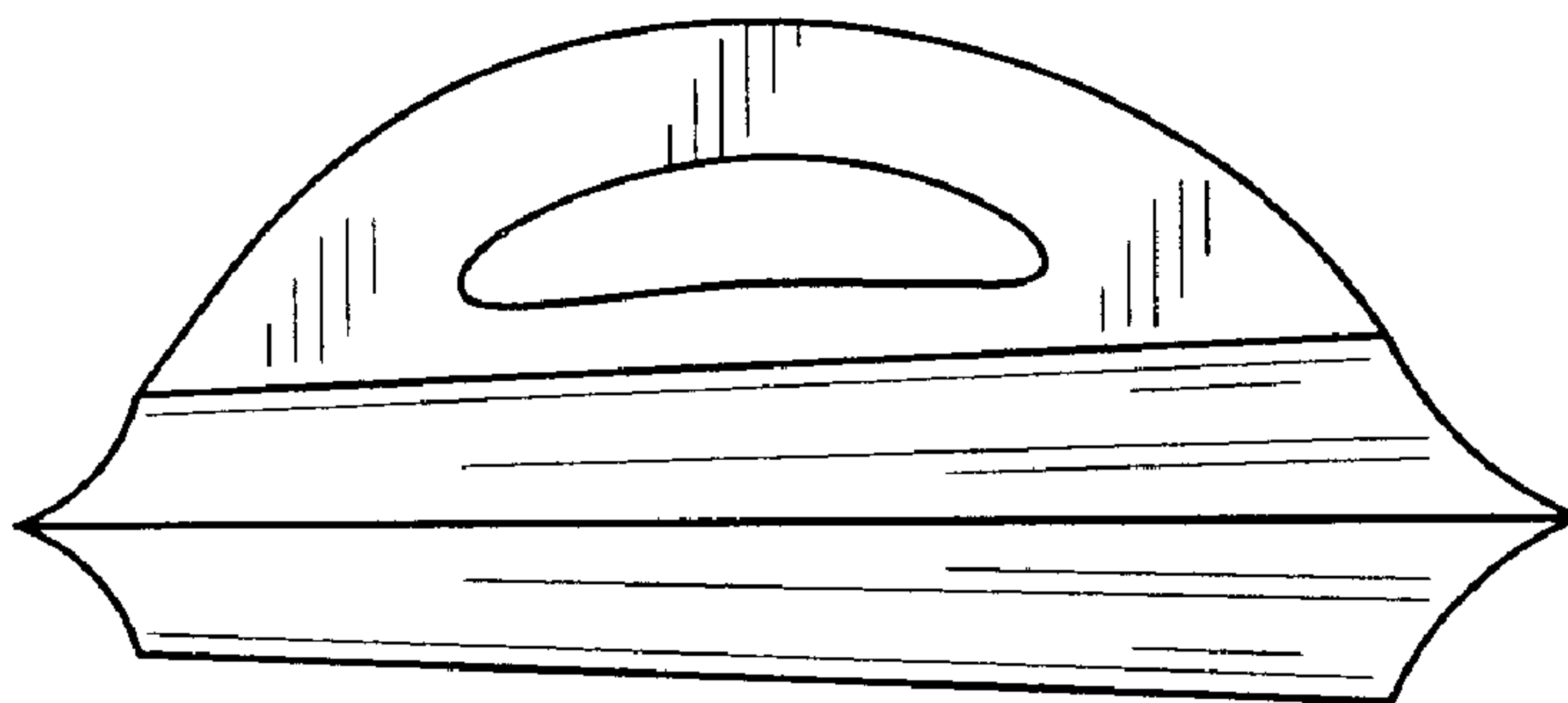


FIG. 14

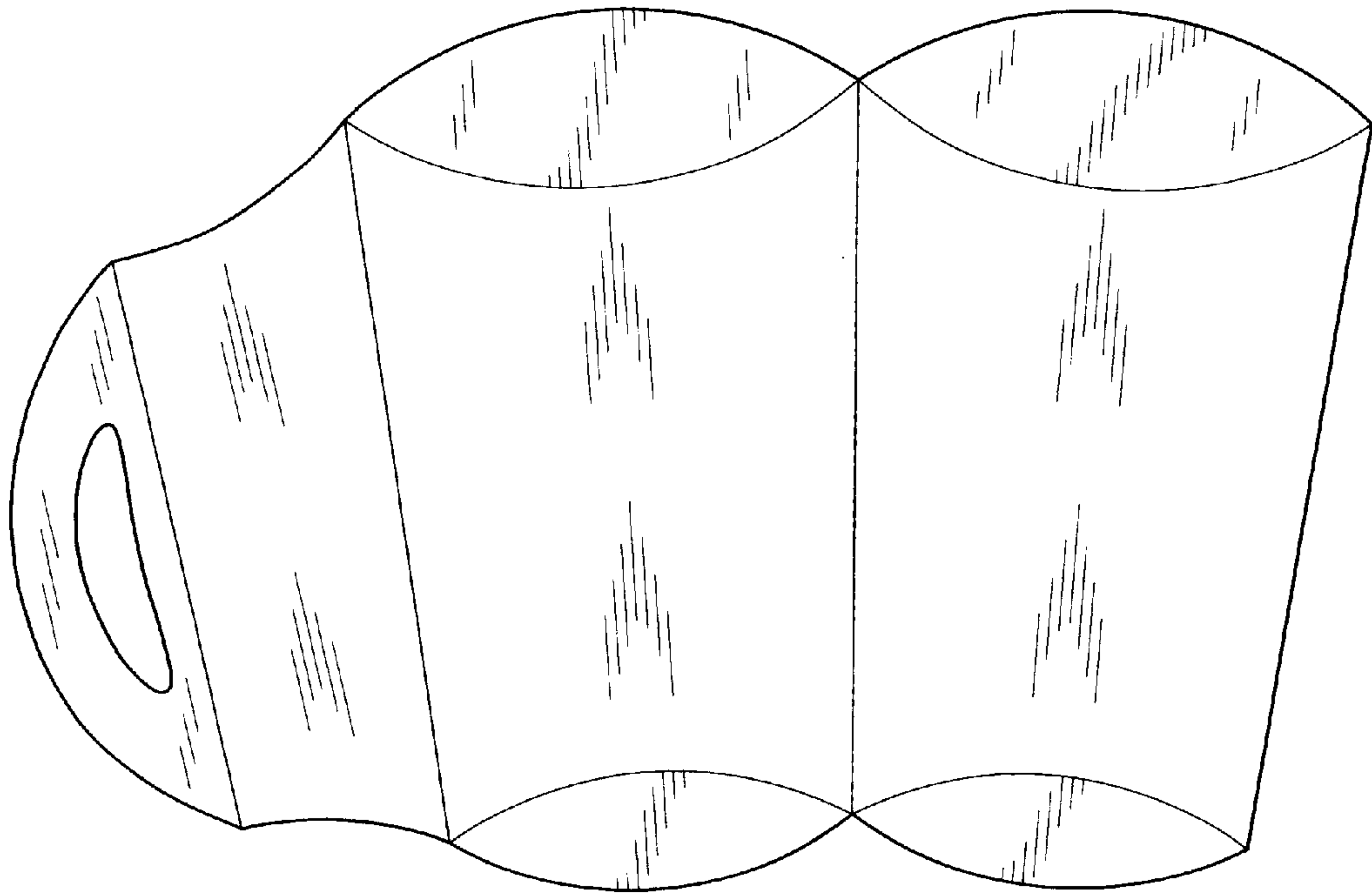


FIG. 15

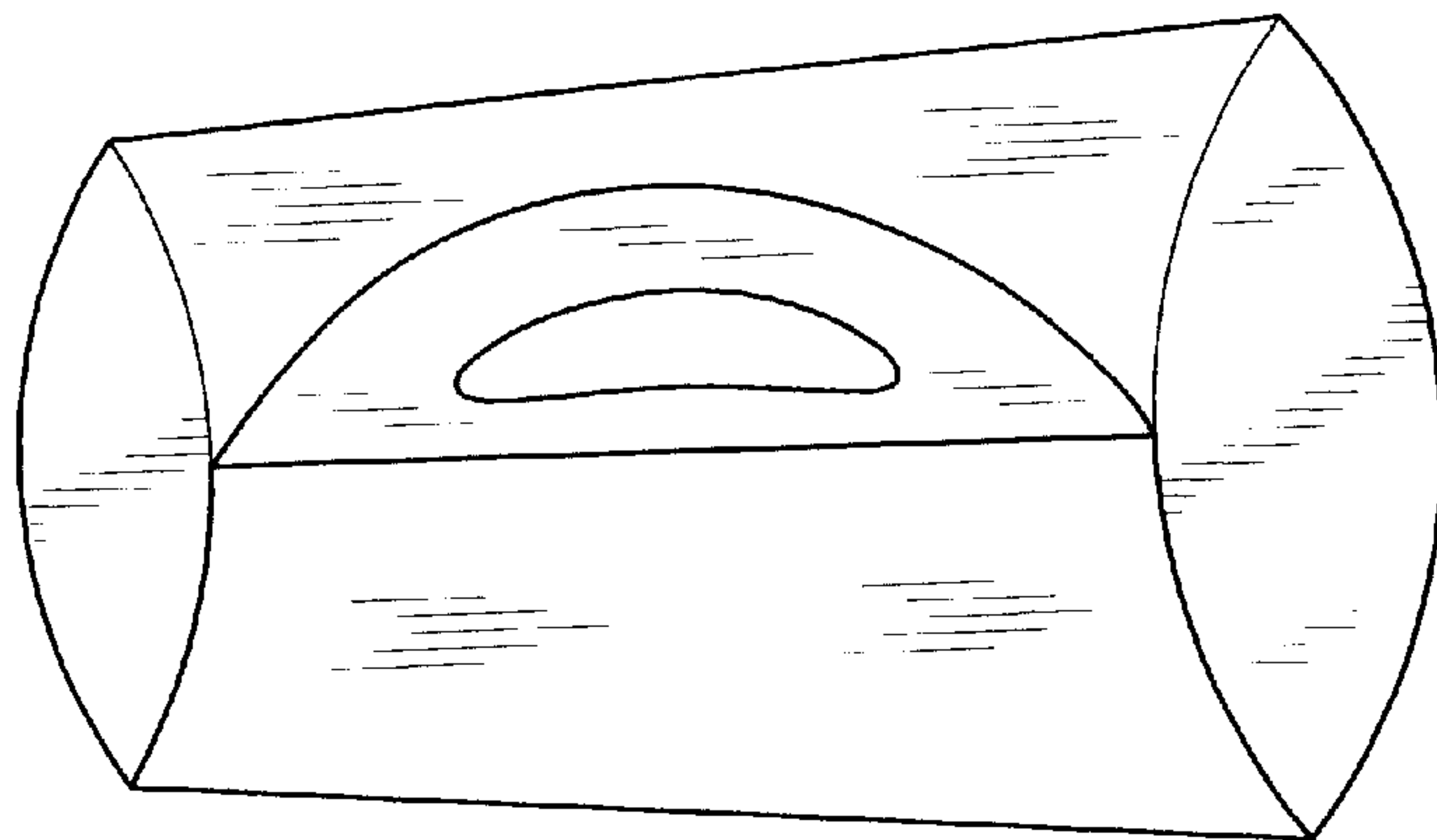


FIG. 16

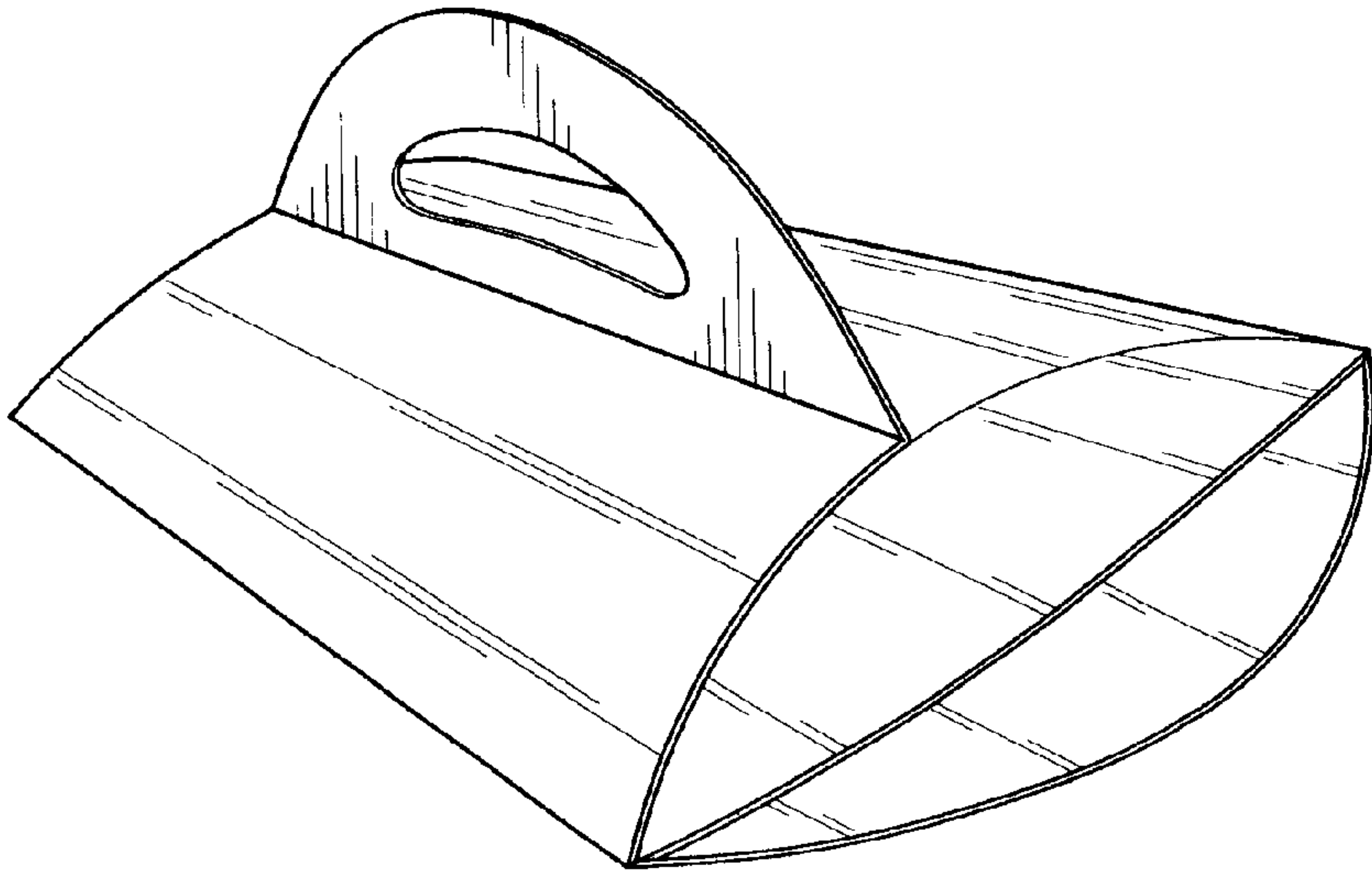


FIG. 17

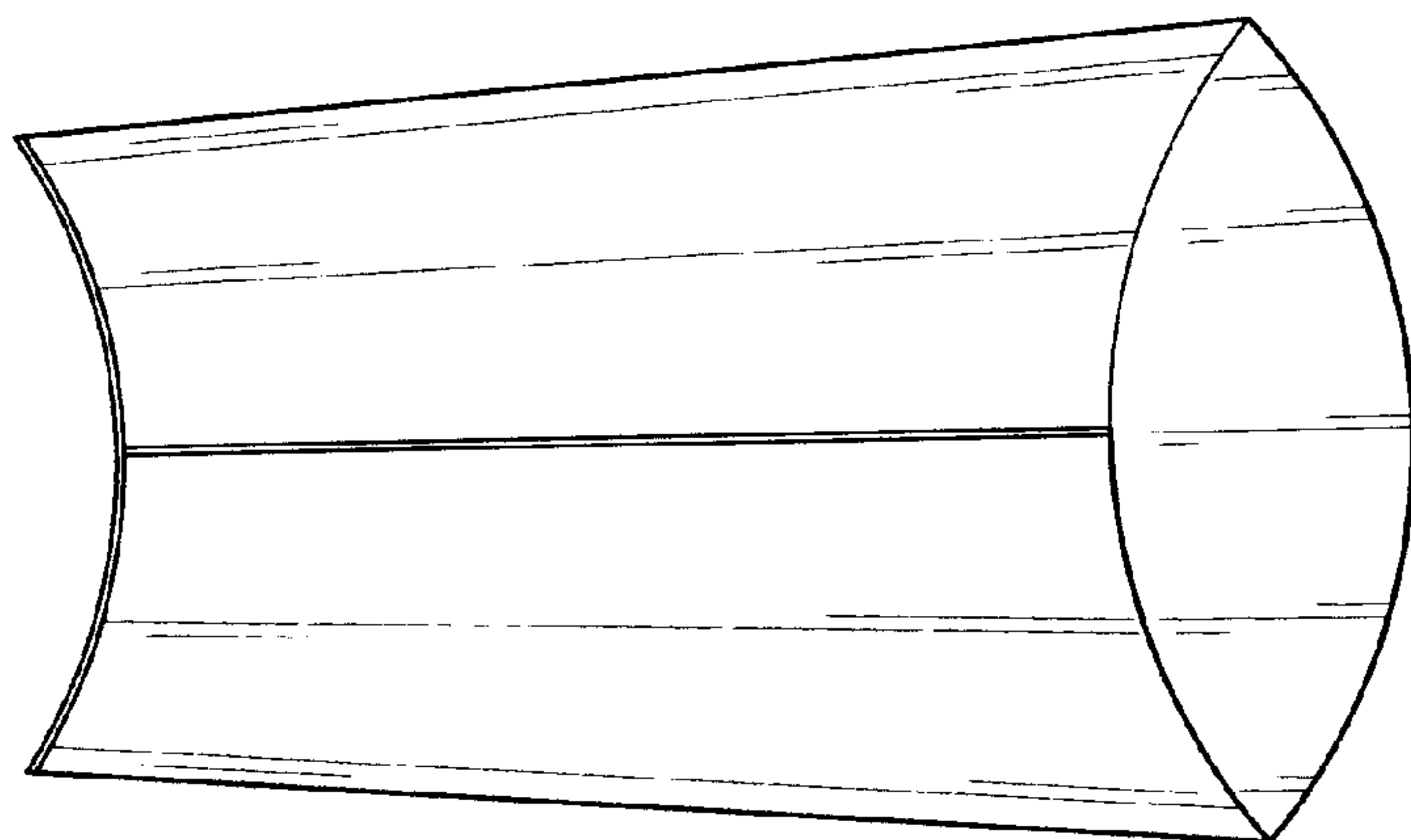


FIG. 18

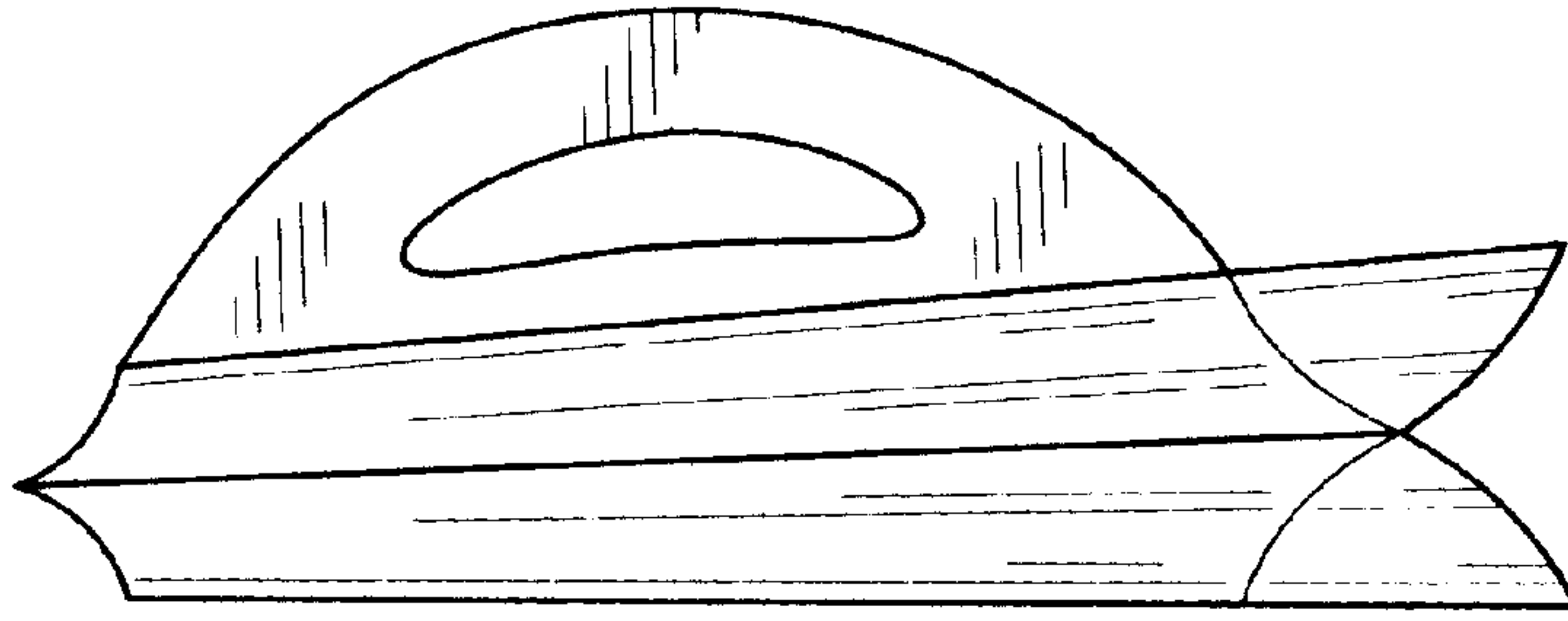


FIG. 19

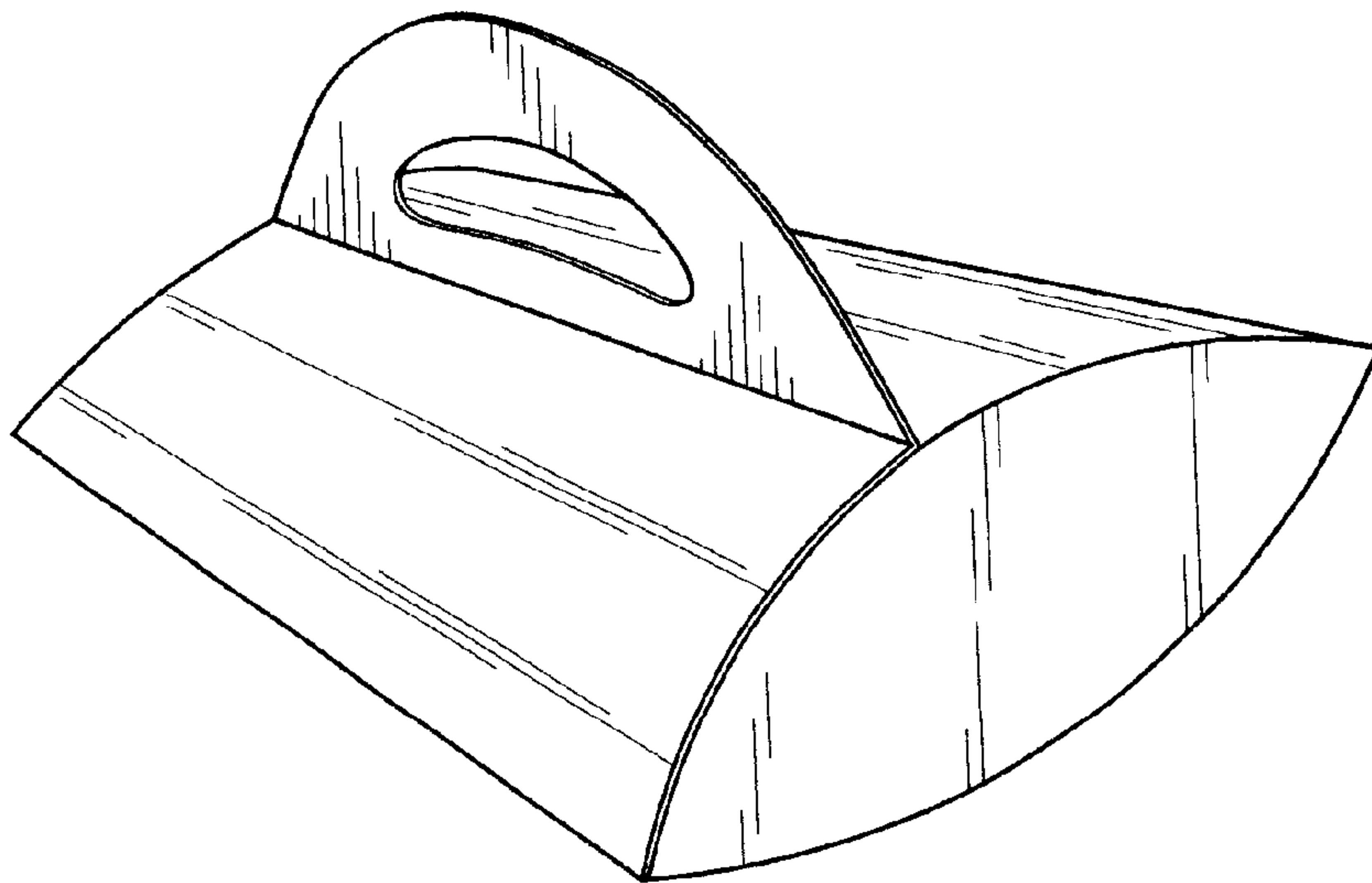


FIG. 20

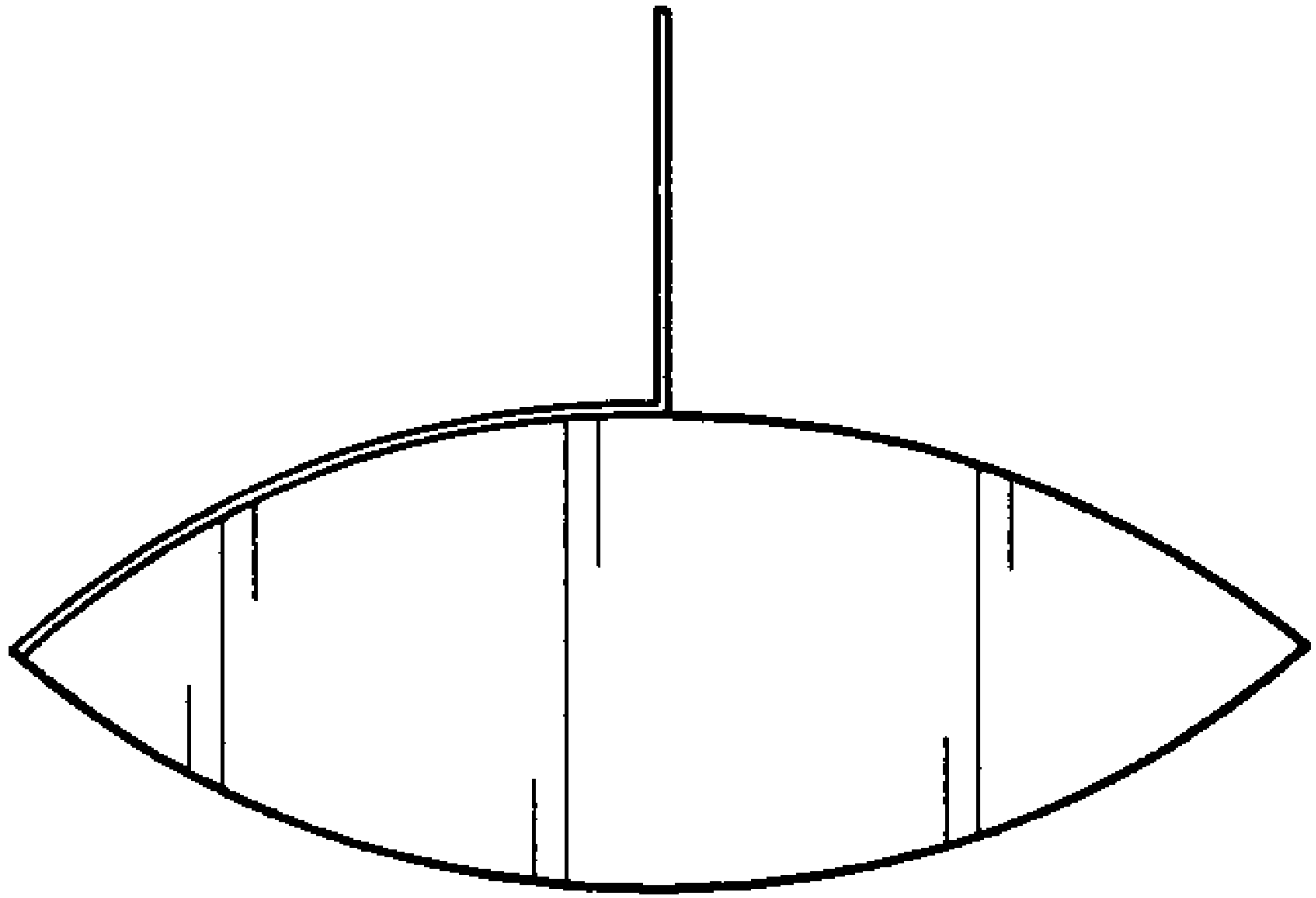


FIG. 21