



US00D490940S

(12) **United States Design Patent**
Wang

(10) **Patent No.:** **US D490,940 S**

(45) **Date of Patent:** **** Jun. 1, 2004**

(54) **FIGHTING FISH BOWL**

(76) Inventor: **Chiao-Ming Wang**, No. 12, Industrial
14th Road, Ta Li, Taichung Hsien (TW)

(**) Term: **14 Years**

(21) Appl. No.: **29/168,904**

(22) Filed: **Oct. 11, 2002**

(51) **LOC (7) Cl.** **30-02**

(52) **U.S. Cl.** **D30/105**

(58) **Field of Search** D30/101-107;
D21/483; 47/69; D11/145; 119/206, 210,
212-213, 216, 219, 223-228, 242, 245,
263, 265-267, 269; 446/267, 153; 40/406,
407, 408, 409

(56) **References Cited**

U.S. PATENT DOCUMENTS

3,288,110	A	*	11/1966	Goldman et al.	119/248
3,304,912	A	*	2/1967	Hackman et al.	119/251
3,512,503	A	*	5/1970	Willinger	119/251
3,584,602	A	*	6/1971	Stasio	119/252
3,900,004	A	*	8/1975	Goldman et al.	119/252
D238,884	S	*	2/1976	Robert	D30/105

D239,180	S	*	3/1976	Robert	D30/101
4,029,050	A	*	6/1977	Genest	119/248
4,120,265	A	*	10/1978	Davis	119/248
4,323,032	A	*	4/1982	Halfon	119/248
5,000,118	A	*	3/1991	Merritt et al.	119/246
D350,840	S	*	9/1994	Carlisle	D30/101
D449,717	S	*	10/2001	Fang	D30/101
6,536,374	B1	*	3/2003	Suerth et al.	119/248

* cited by examiner

Primary Examiner—Cathy Anne MacCormac

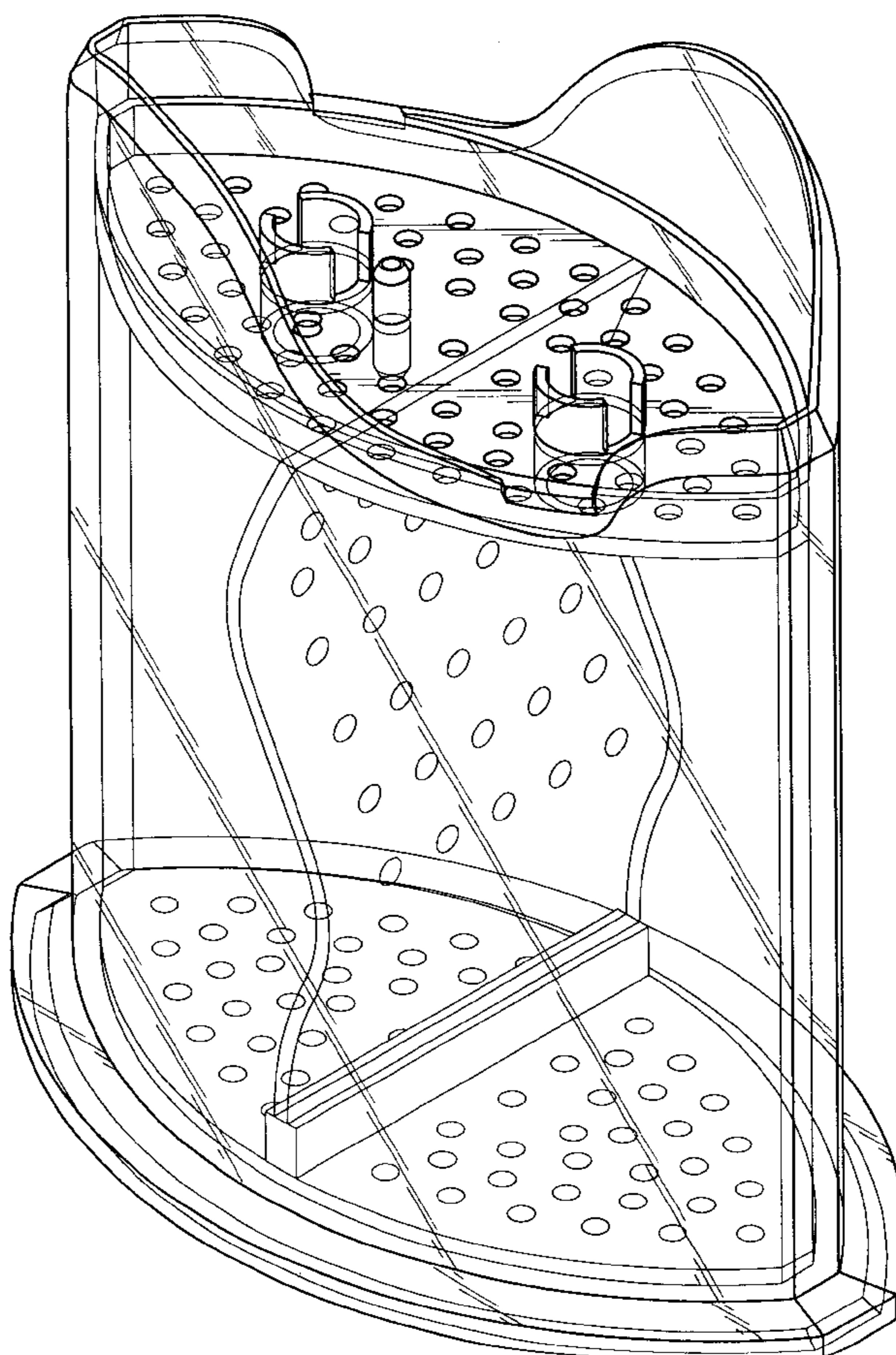
(57) **CLAIM**

The ornamental design for a fighting fish bowl, as shown and described.

DESCRIPTION

FIG. 1 is a perspective view of fighting fish bowl showing my new design;
FIG. 2 is a front elevation view thereof;
FIG. 3 is a rear elevation view thereof;
FIG. 4 is a left side elevation view thereof;
FIG. 5 is a right side elevation view thereof;
FIG. 6 is a top plan view thereof; and,
FIG. 7 is a bottom plan view thereof.

1 Claim, 6 Drawing Sheets



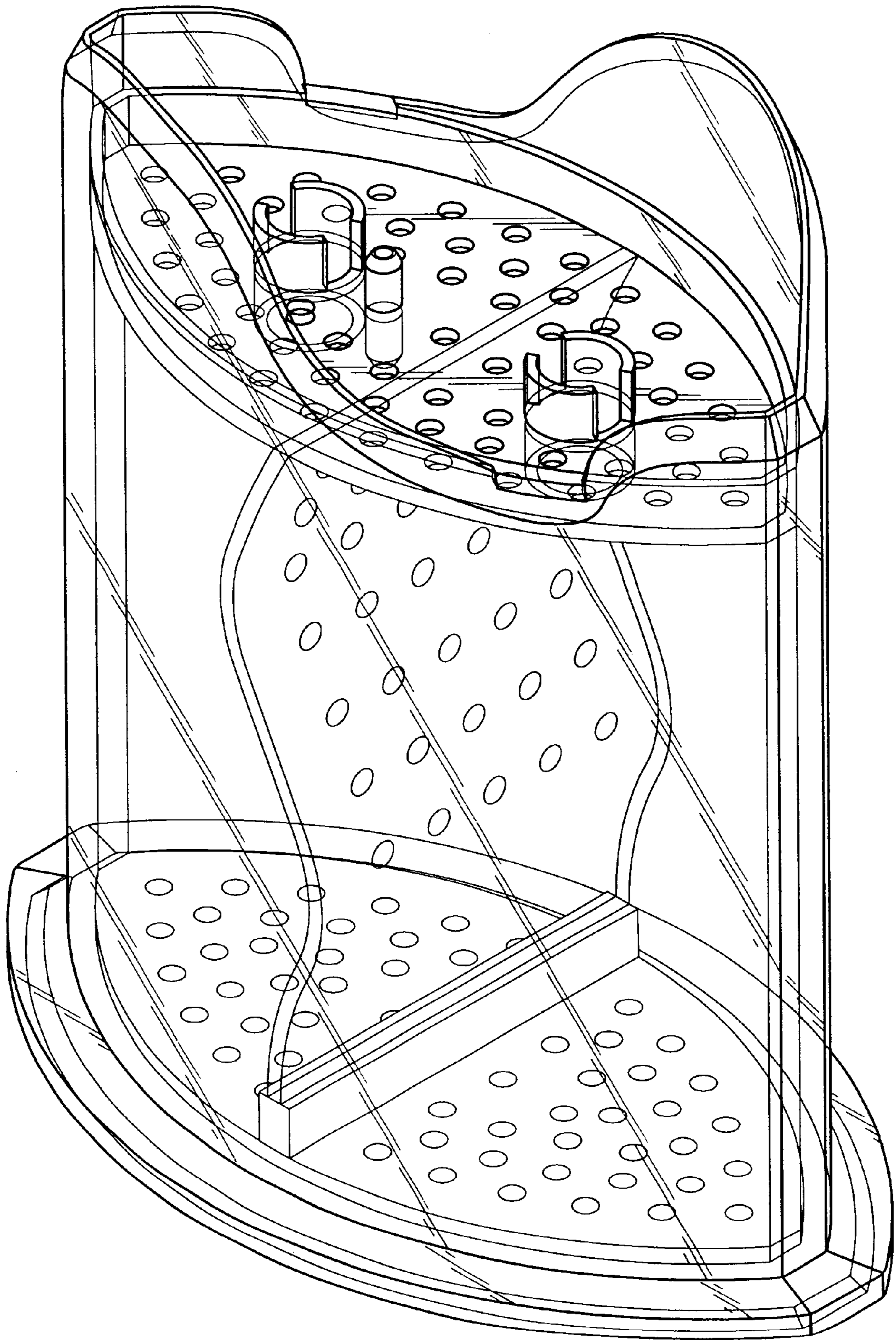


FIG. 1

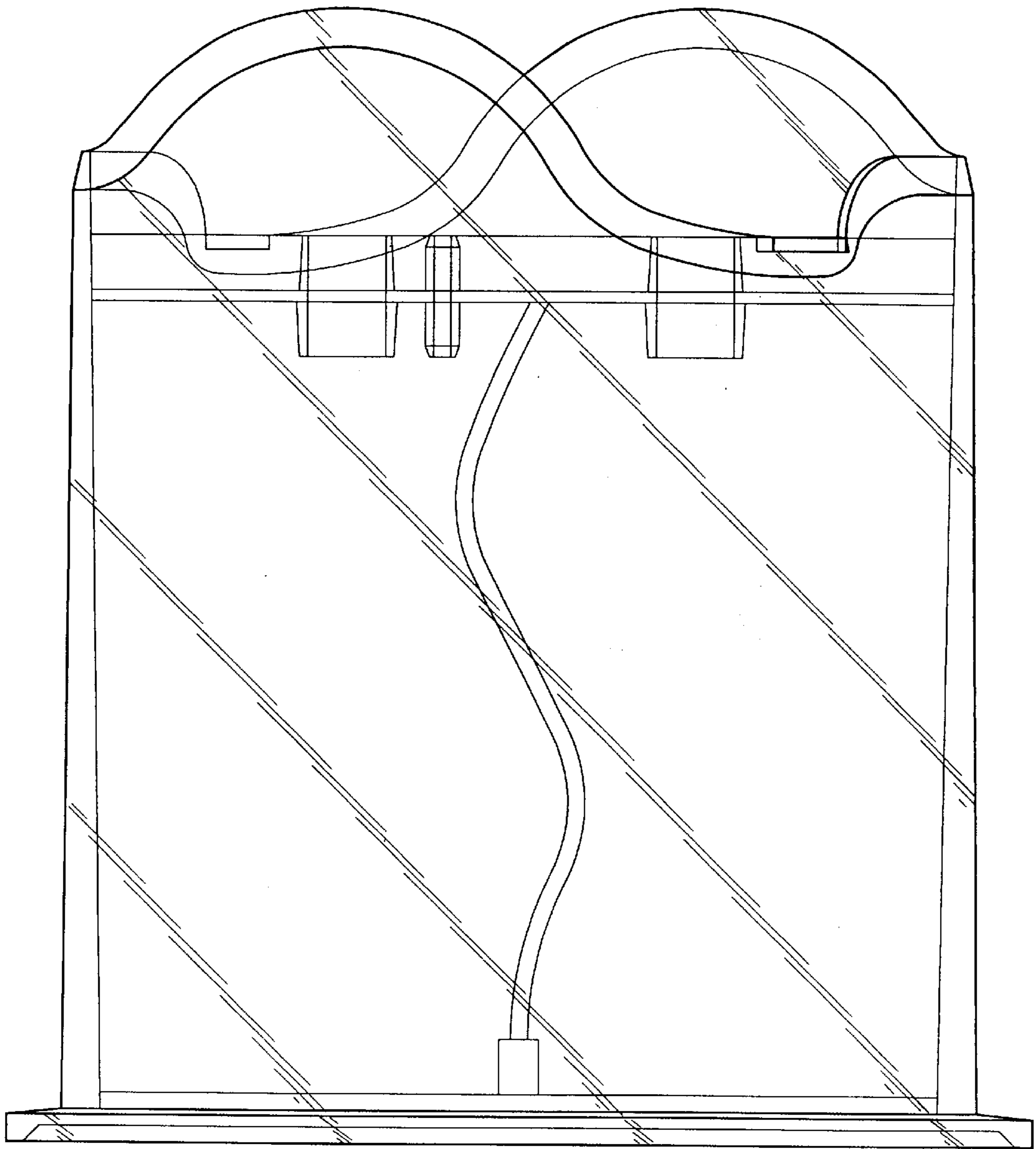


FIG. 2

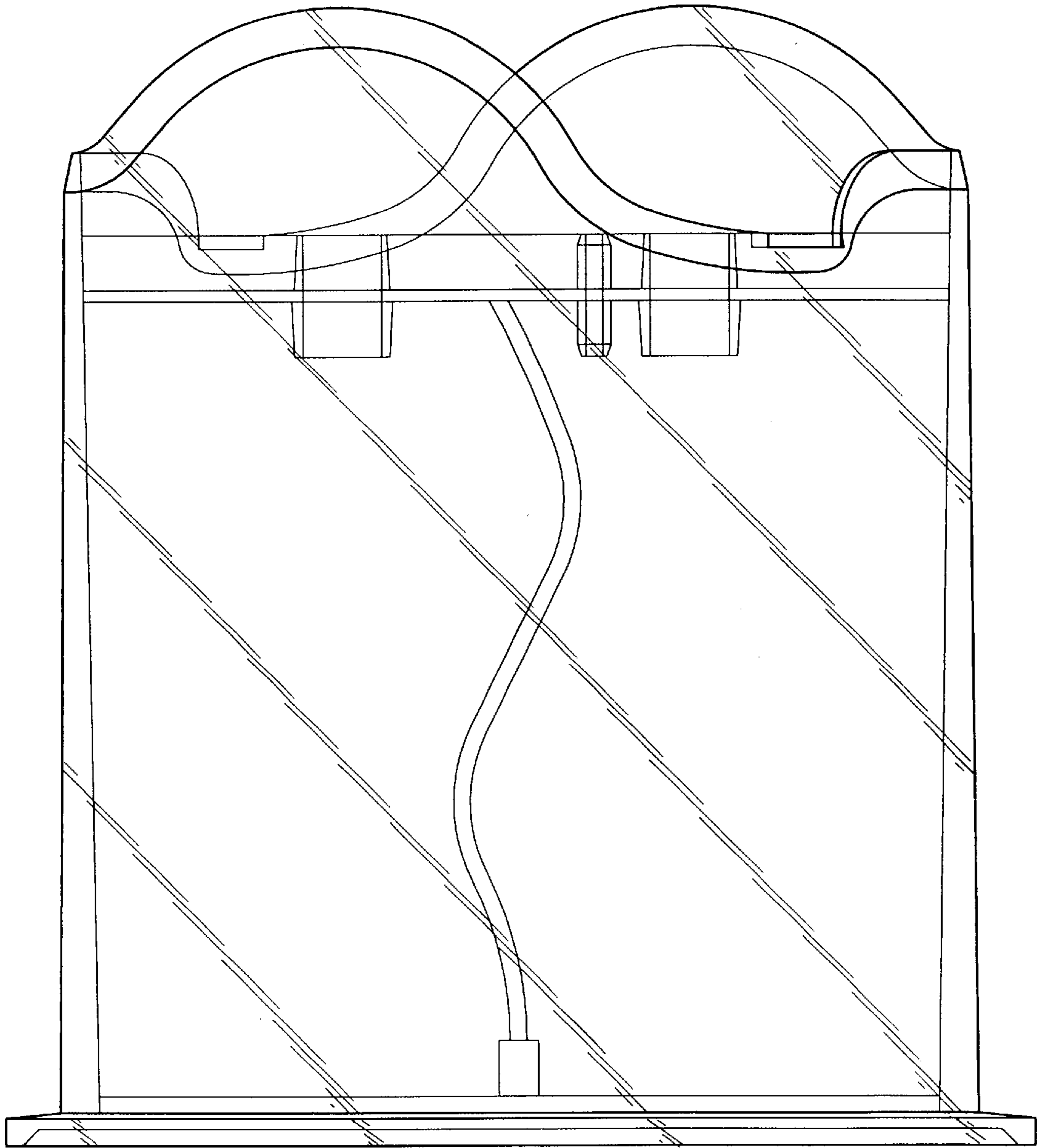


FIG. 3

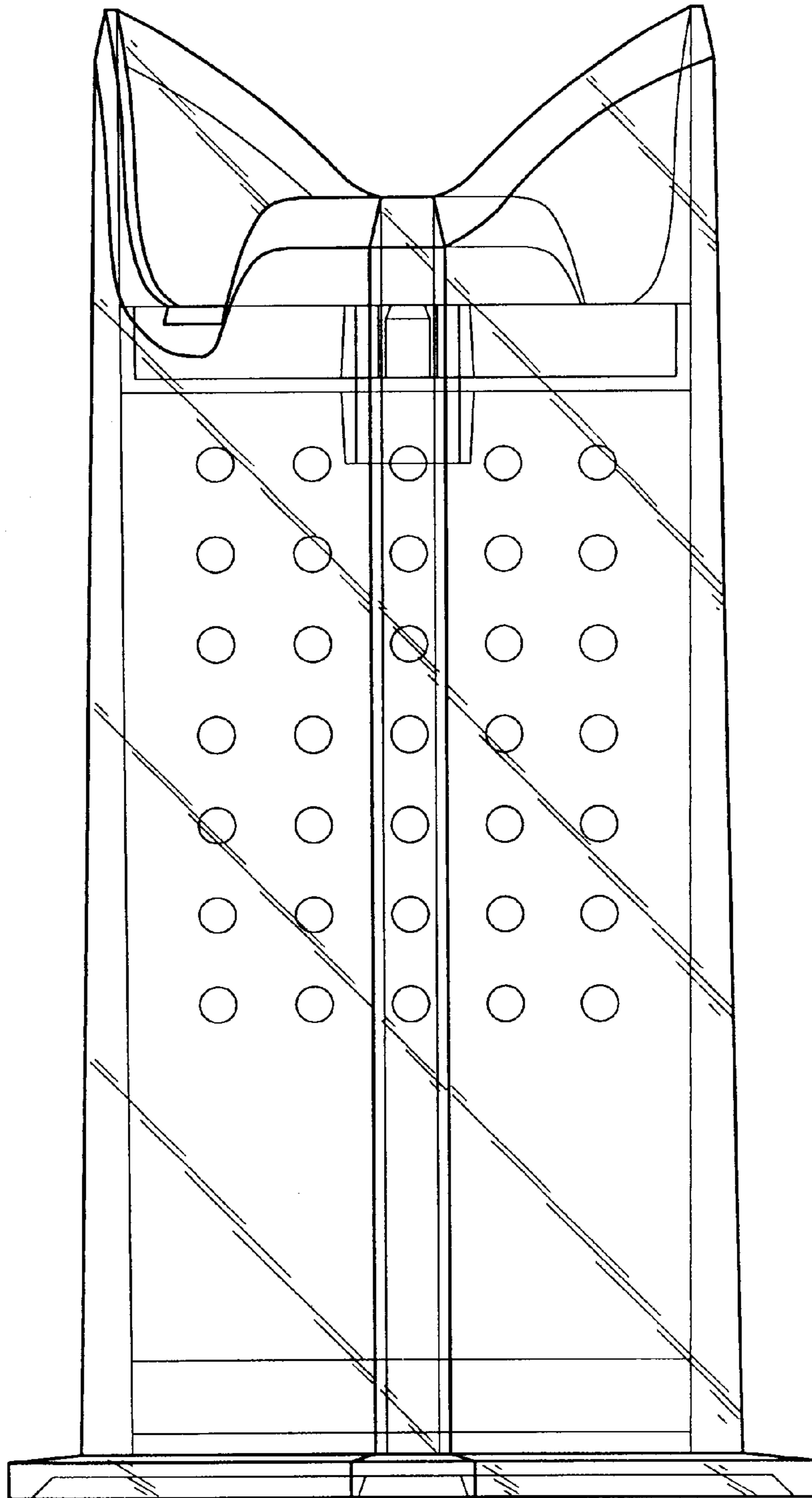


FIG. 4

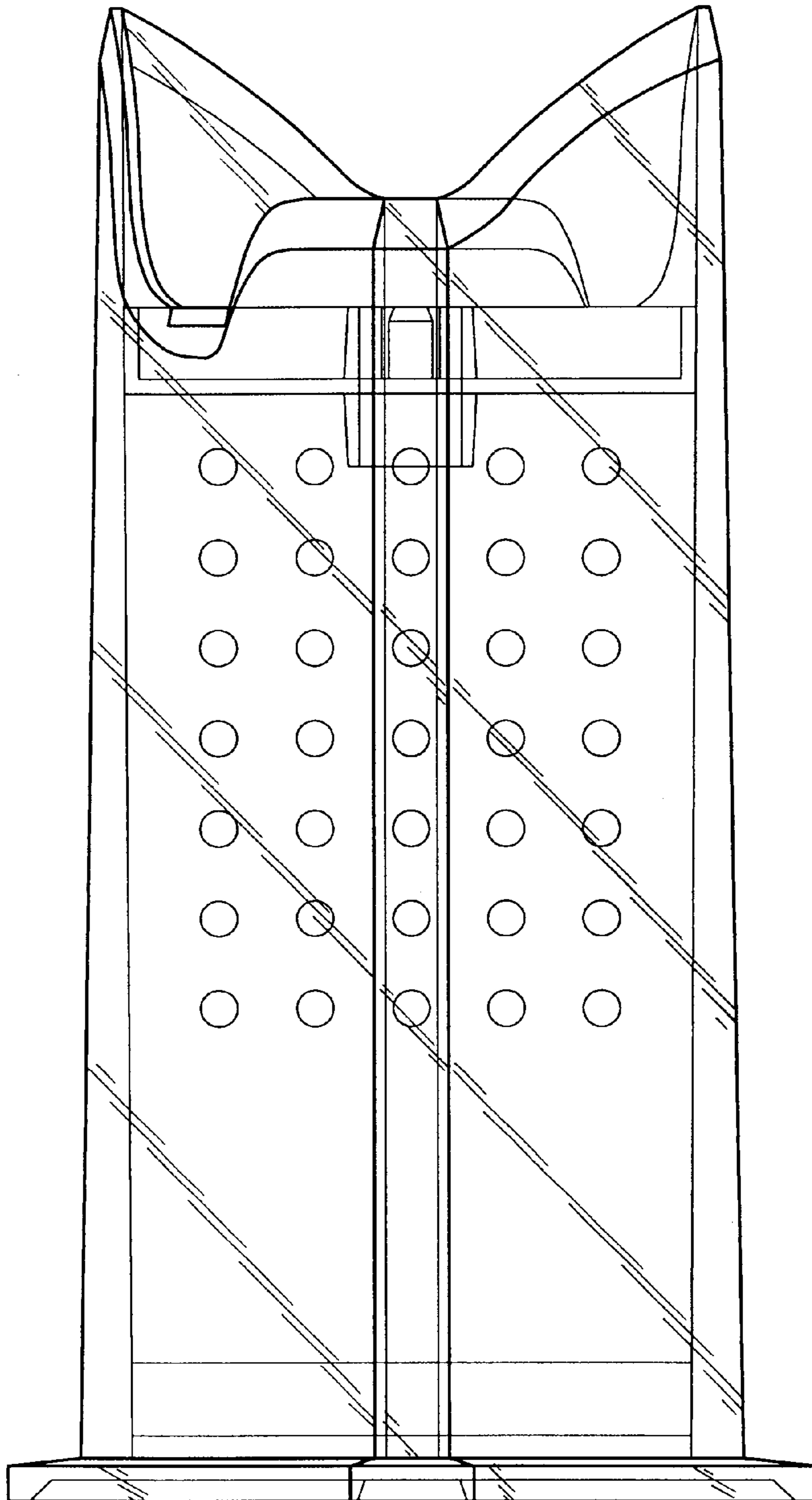


FIG. 5

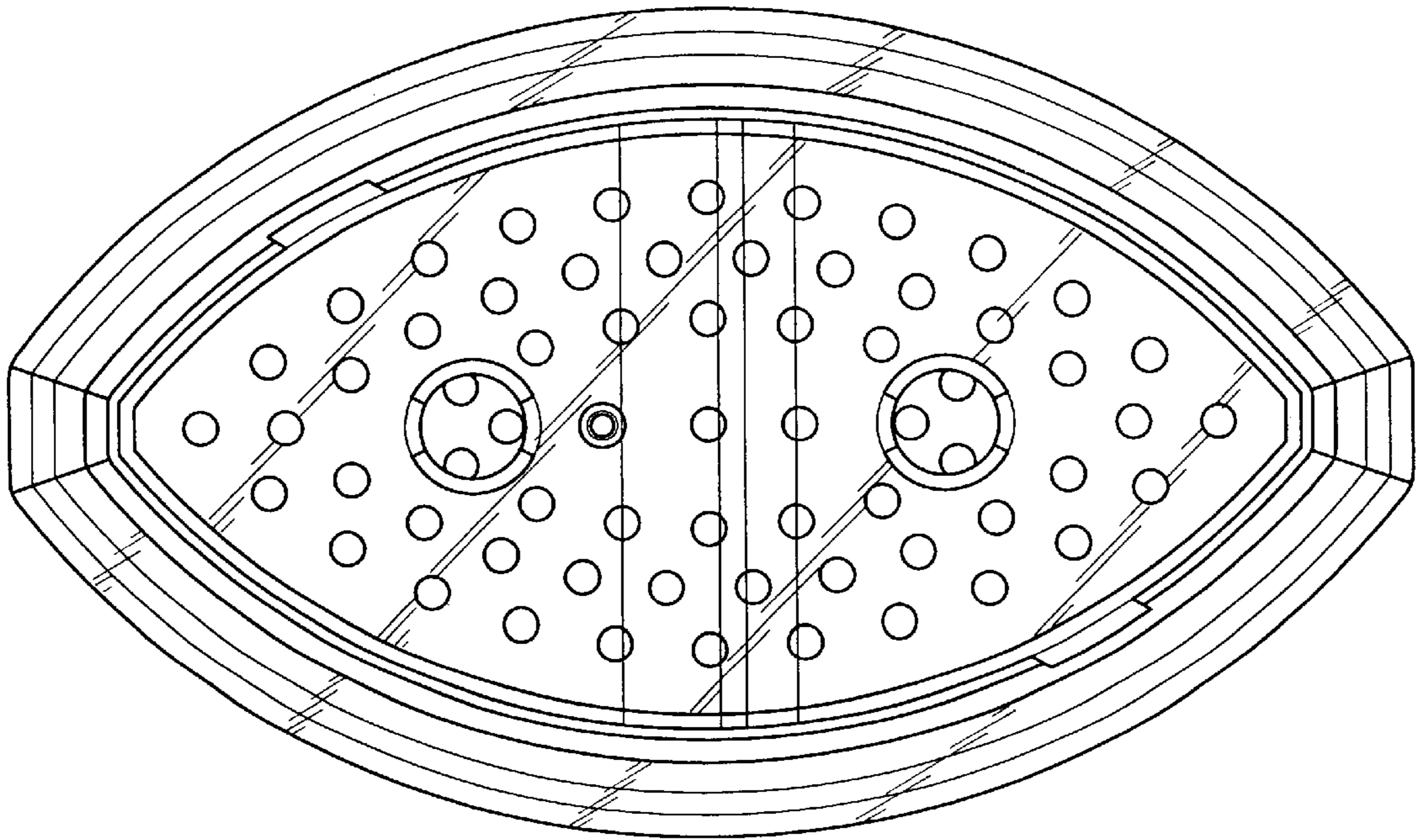


FIG. 6

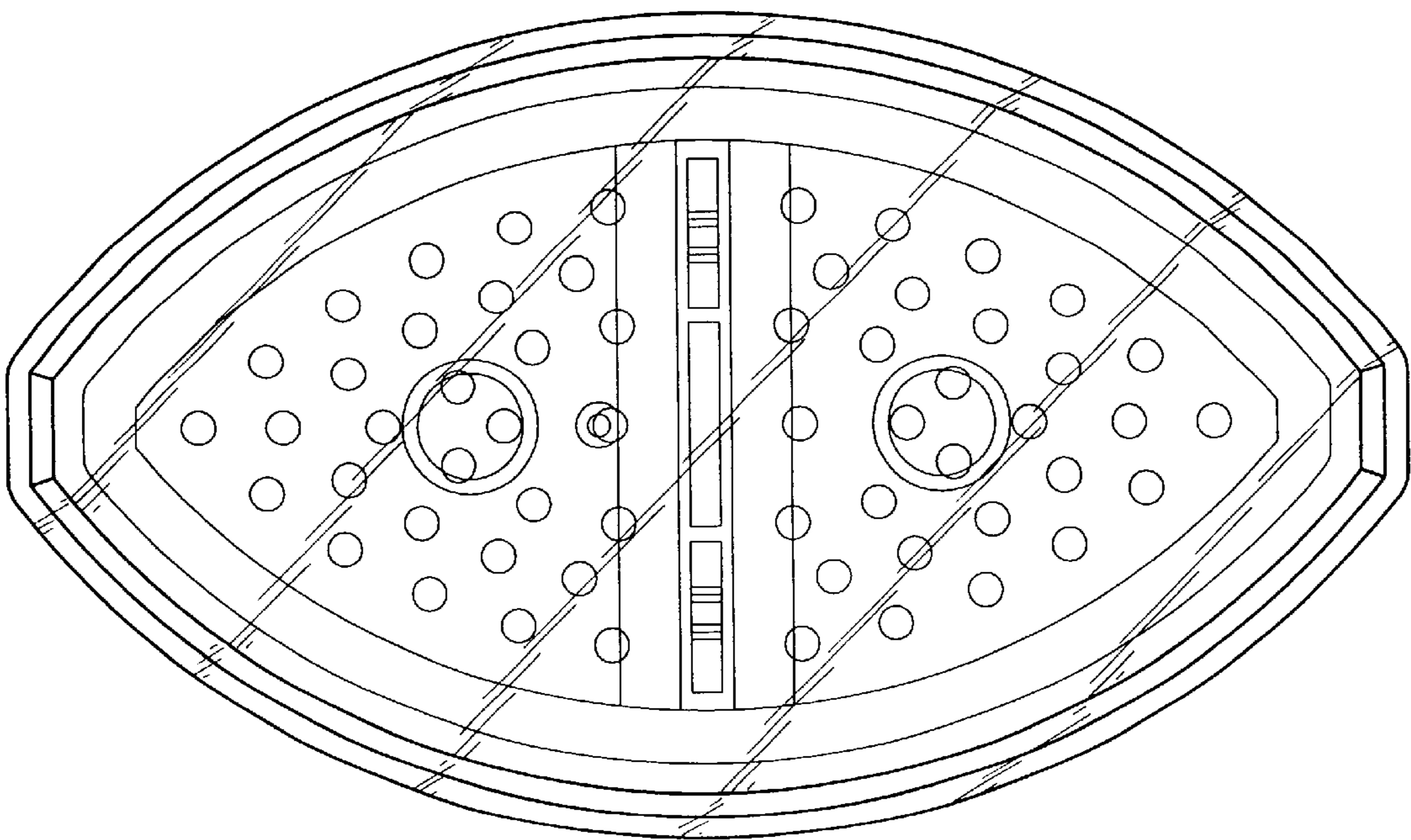


FIG. 7