



US00D490937S

(12) **United States Design Patent**
Ke

(10) **Patent No.:** **US D490,937 S**

(45) **Date of Patent:** **** Jun. 1, 2004**

(54) **COSMETIC CASE**

5,390,510 A * 2/1995 Tirio-Cloonan 132/294
D478,191 S * 8/2003 Lai D28/82

(75) Inventor: **Chin-Te Ke**, Tainan (TW)

* cited by examiner

(73) Assignee: **Mei Kuai Cosmetics Co., Ltd.**, Tainan (TW)

Primary Examiner—Jennifer Rivard
(74) *Attorney, Agent, or Firm*—Rosenberg, Klein & Lee

(**) Term: **14 Years**

(57) **CLAIM**

(21) Appl. No.: **29/191,332**

The ornamental design for a cosmetic case, as shown and described.

(22) Filed: **Oct. 7, 2003**

(51) **LOC (7) Cl.** **28-03**

(52) **U.S. Cl.** **D28/79**

(58) **Field of Search** D28/73, 76-79,
D28/81-83, 85, 87-89, 91; 132/293-307,
314-315; 206/583, 823; 220/DIG. 26

DESCRIPTION

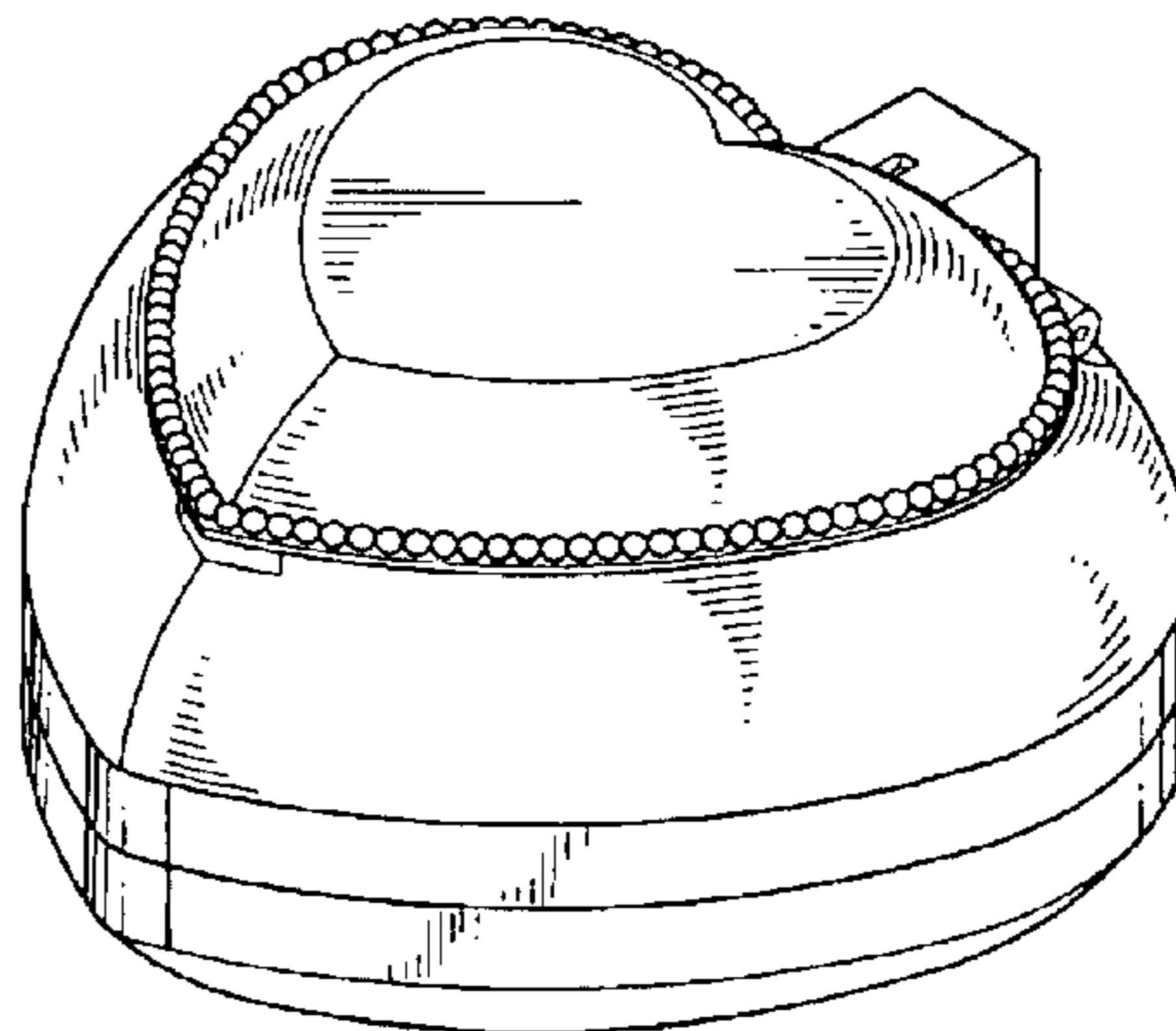
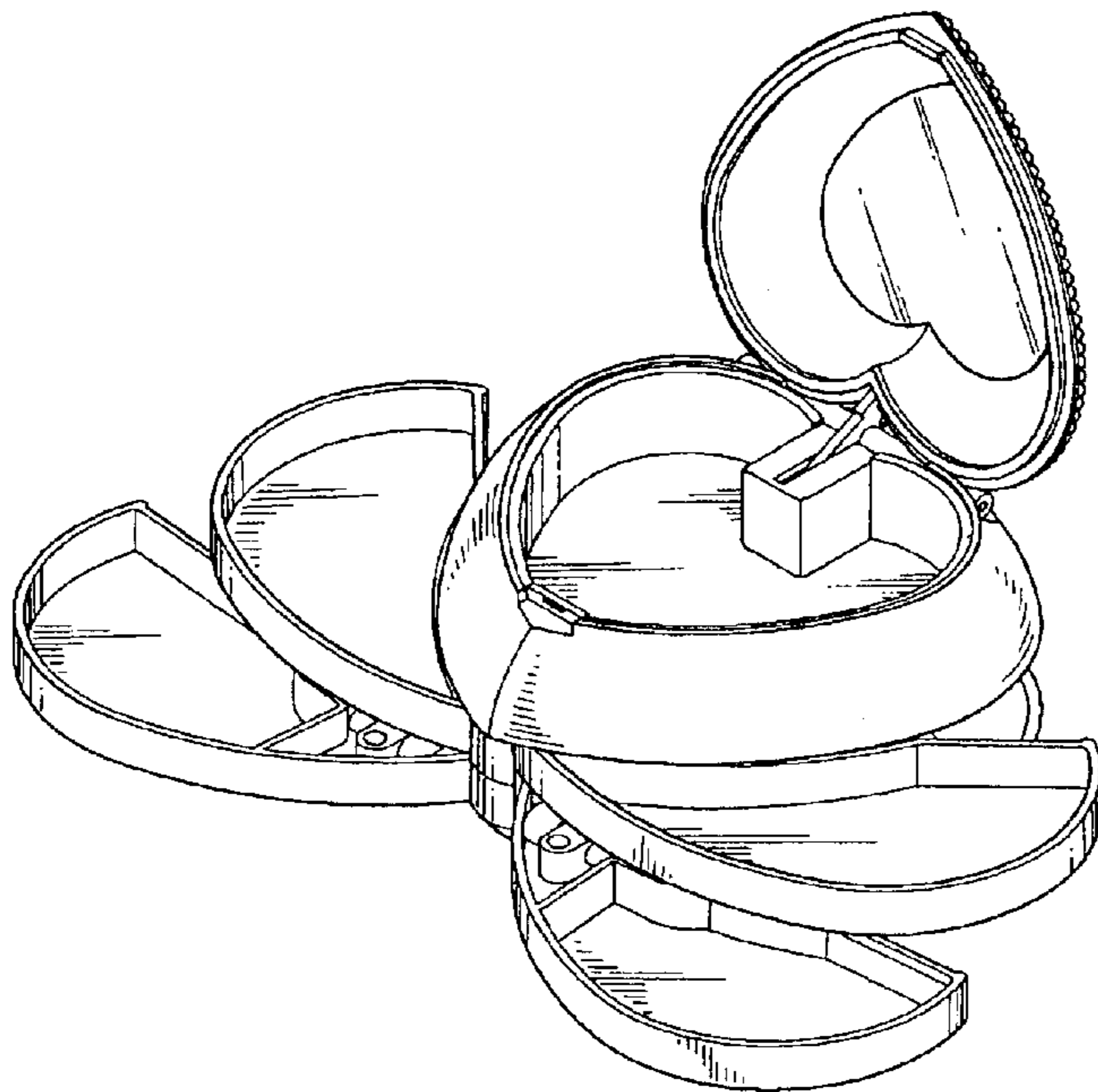
(56) **References Cited**

U.S. PATENT DOCUMENTS

D177,365 S * 4/1956 Curhbertson D28/79
D252,775 S * 8/1979 Stoffel D28/79
D350,625 S * 9/1994 Shen D28/82

FIG. 1 is a perspective view of a cosmetic case showing my new design;
FIG. 2 is a front elevational view thereof;
FIG. 3 is a rear elevational view thereof;
FIG. 4 is a left side elevational view thereof;
FIG. 5 is a right side elevational view thereof;
FIG. 6 is a top plan view thereof;
FIG. 7 is a bottom plan view thereof; and,
FIG. 8 is a view showing the whole design closed.

1 Claim, 5 Drawing Sheets



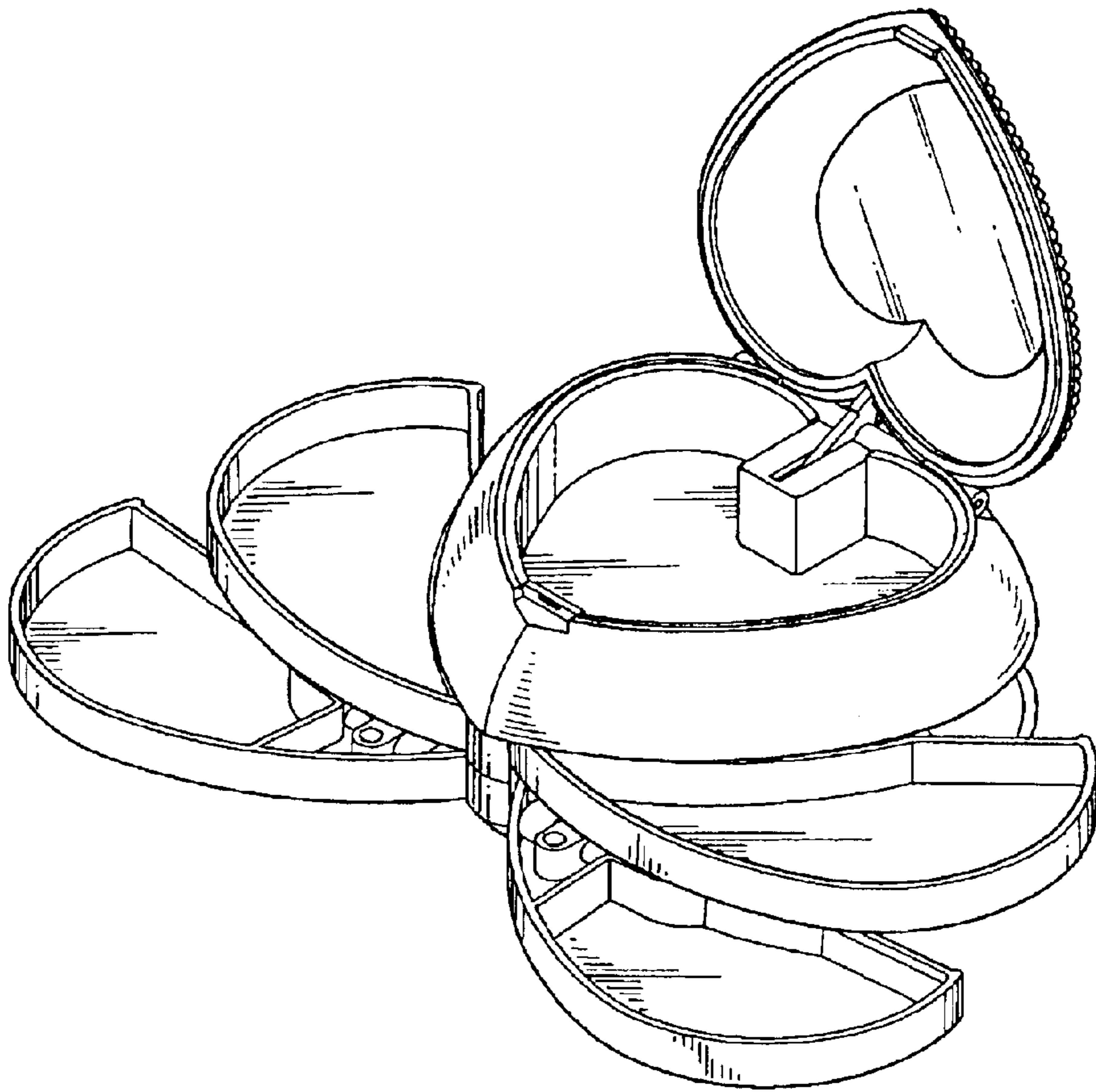


FIG. 1

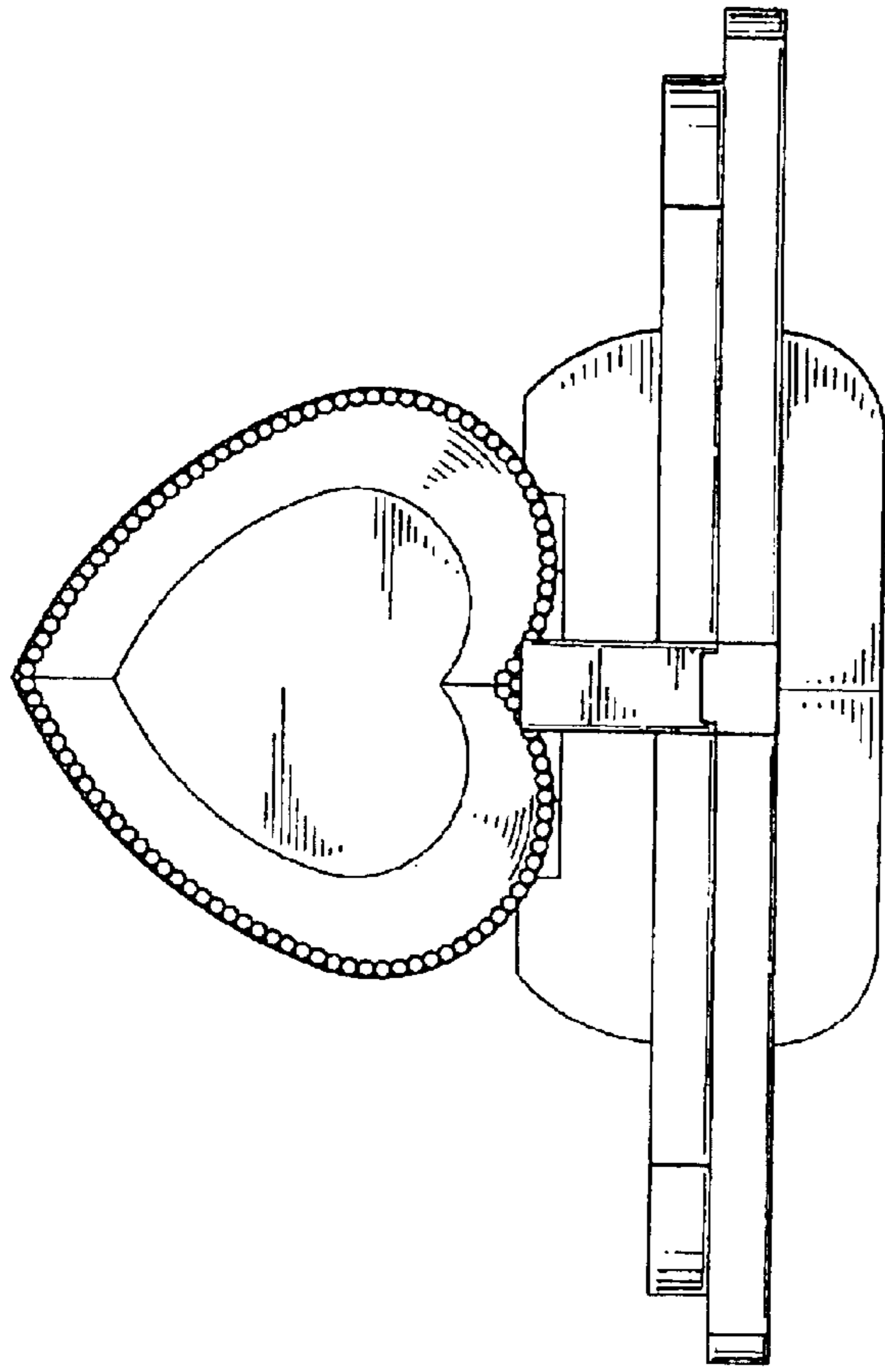


FIG. 3

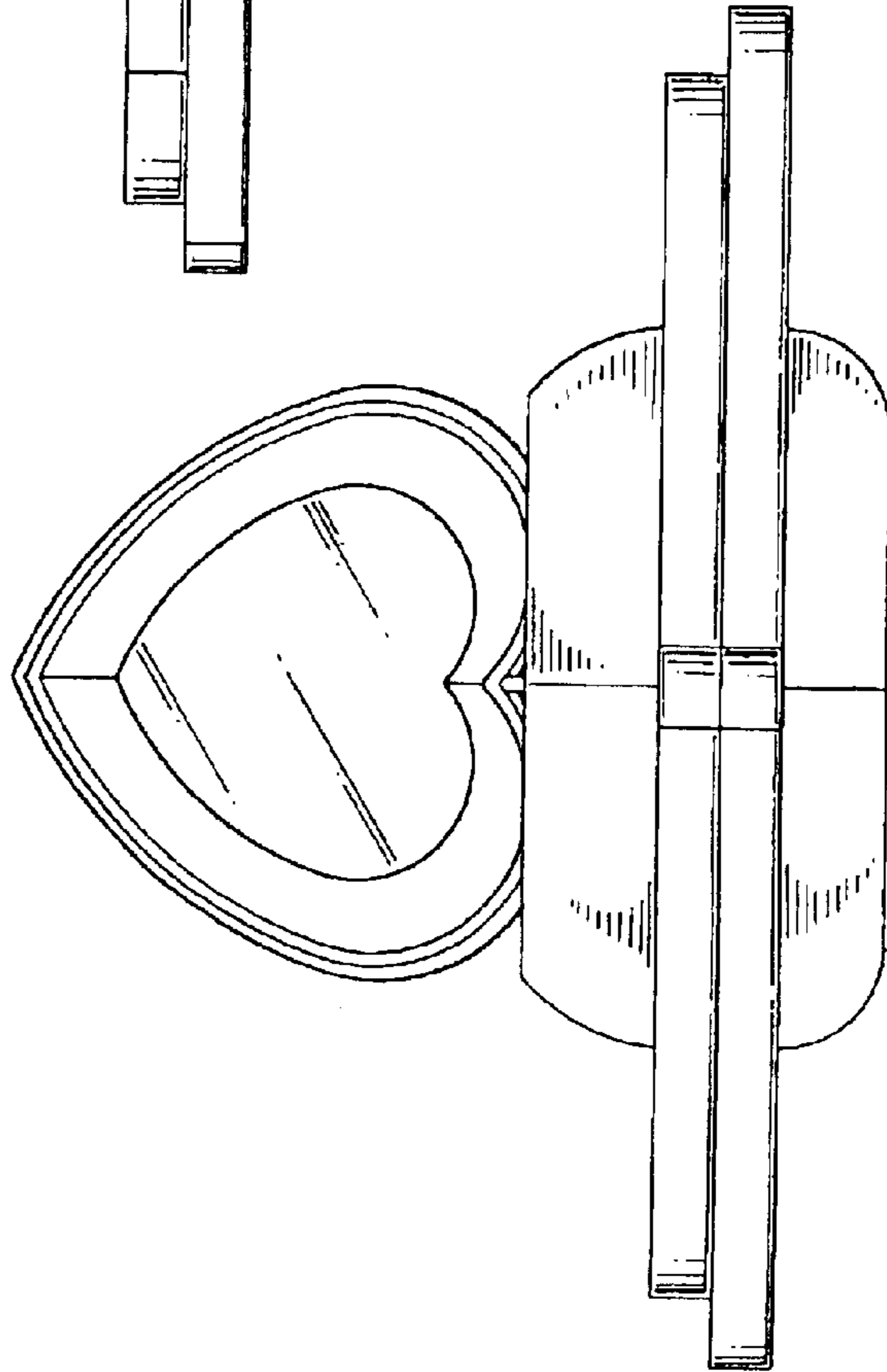


FIG. 2

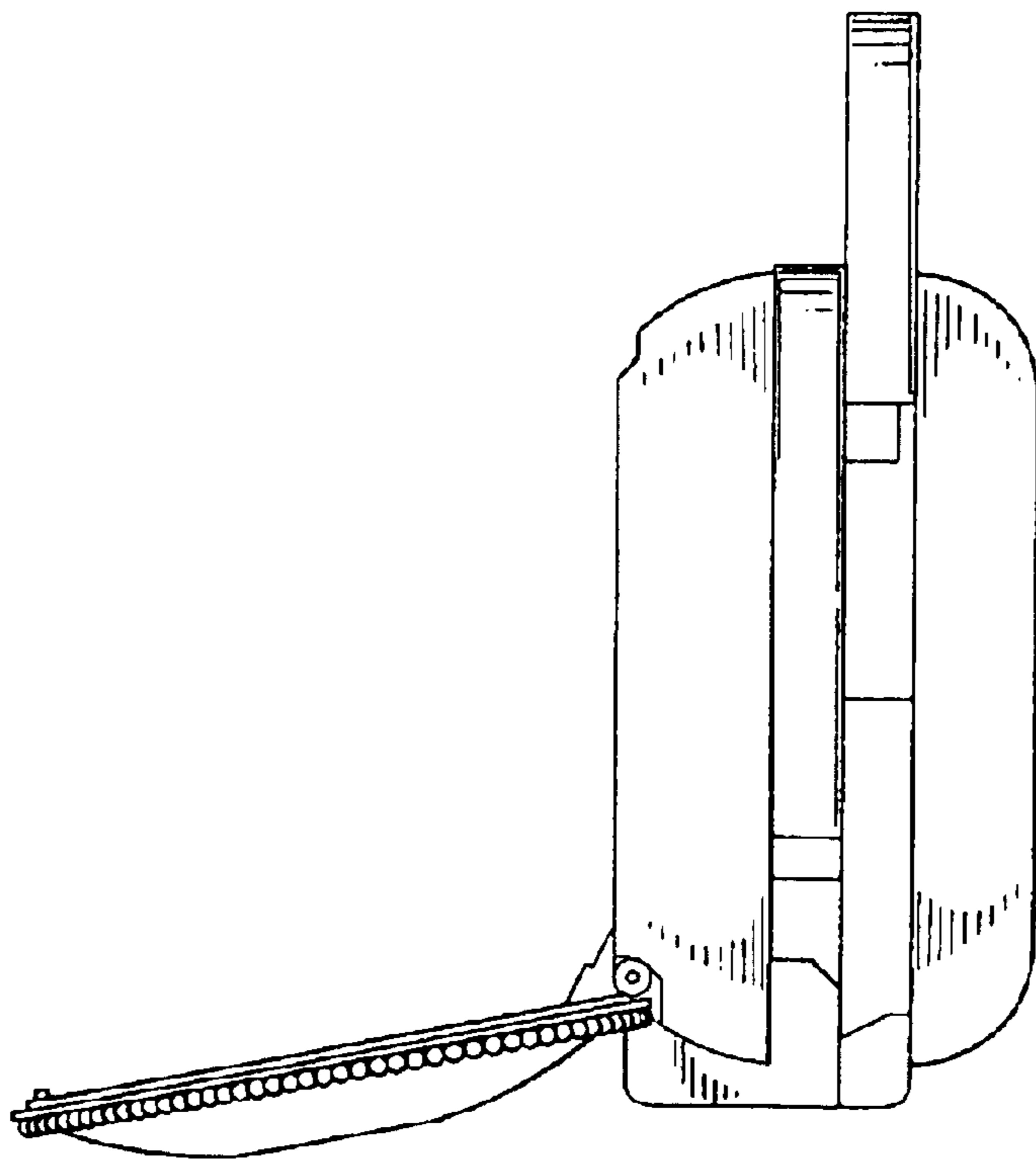


FIG. 4

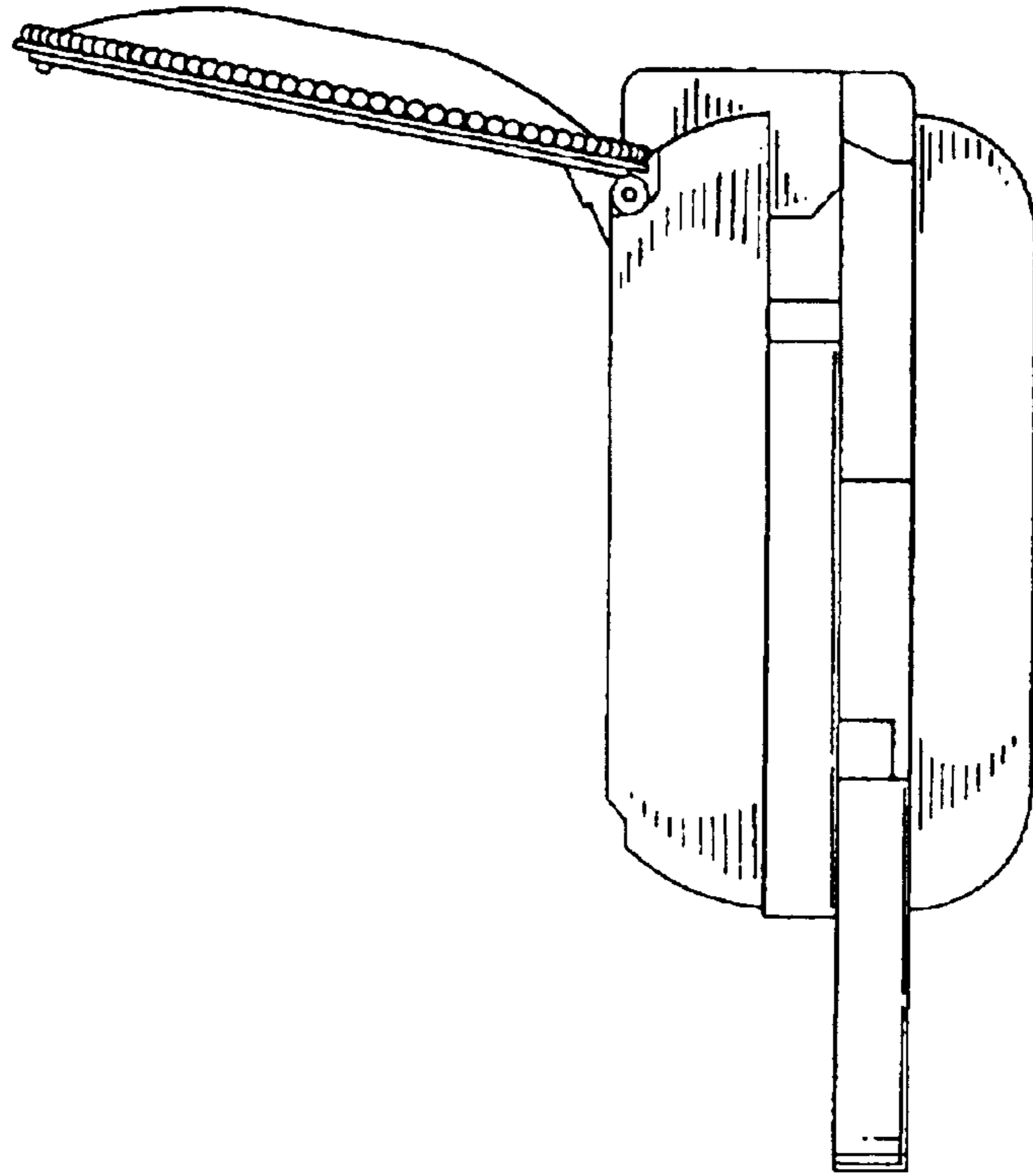


FIG. 5

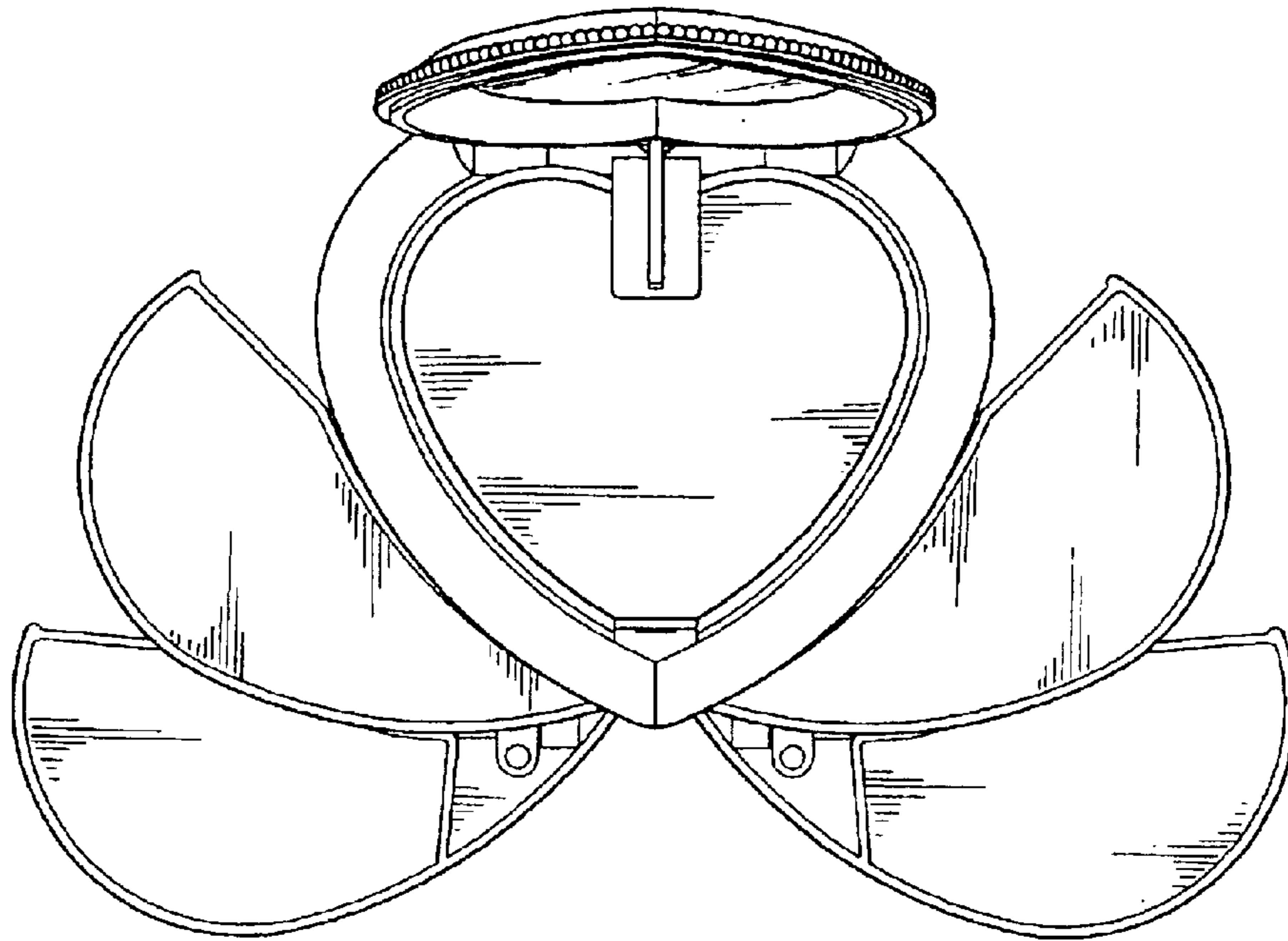


FIG. 6

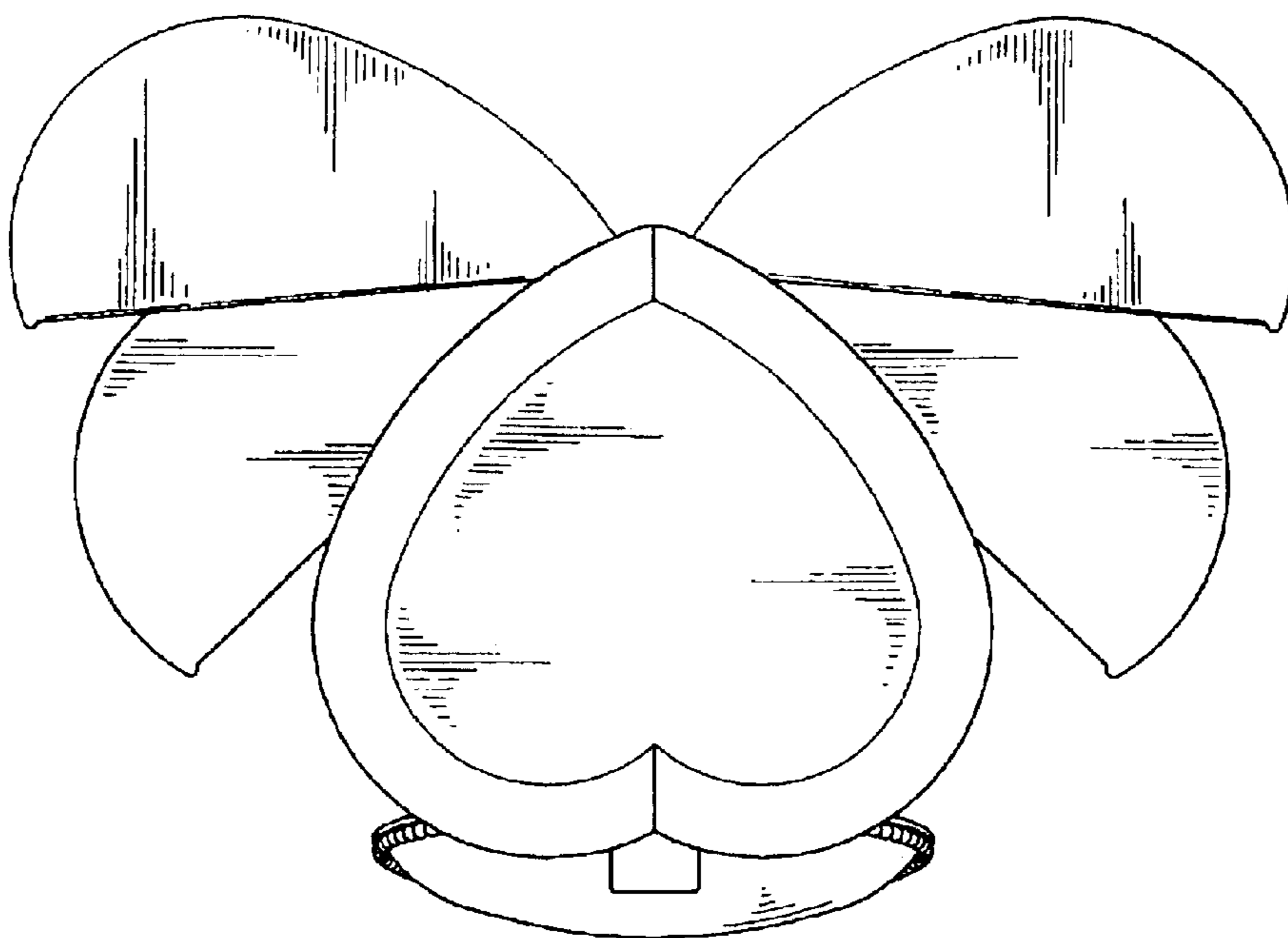


FIG. 7

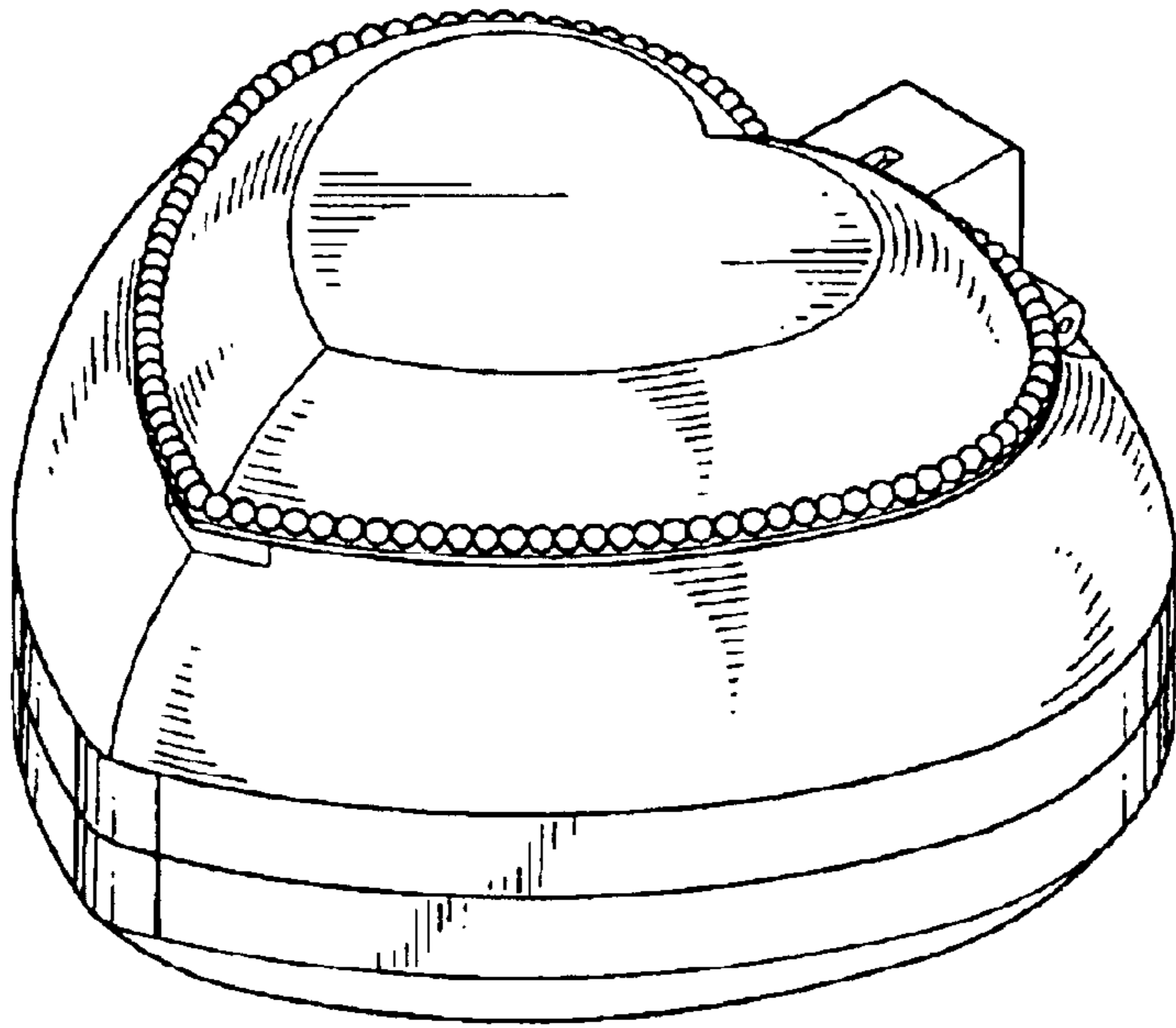


FIG. 8