



US00D490930S

(12) **United States Design Patent**  
**Snead**

(10) **Patent No.:** **US D490,930 S**

(45) **Date of Patent:** **\*\* Jun. 1, 2004**

(54) **DRYWALL FINISH PIECE FOR RECESSED LIGHTS**

**DESCRIPTION**

(76) **Inventor:** **Robert T. Snead**, P.O. Box 152,  
Crawford, CO (US) 81415

(\*\*) **Term:** **14 Years**

(21) **Appl. No.:** **29/171,034**

(22) **Filed:** **Nov. 15, 2002**

(51) **LOC (7) Cl.** ..... **26-99**

(52) **U.S. Cl.** ..... **D26/152**

(58) **Field of Search** ..... 248/231.91, 343;  
362/365, 368, 147; D26/113, 138, 152,  
142

(56) **References Cited**

**U.S. PATENT DOCUMENTS**

4,729,080	A	*	3/1988	Fremont et al.	.....	362/365
5,373,431	A	*	12/1994	Hayman et al.	.....	362/365
D427,368	S	*	6/2000	Kelmelis et al.	.....	D26/152
6,474,846	B1	*	11/2002	Kelmelis et al.	.....	362/365
D471,314	S	*	3/2003	Guthrie	.....	D26/152

\* cited by examiner

*Primary Examiner*—Jennifer Rivard

(74) *Attorney, Agent, or Firm*—Crossley Patent Law; Mark Ashley Crossley

(57) **CLAIM**

The ornamental design for a drywall finish piece for recessed lights, as shown and described.

FIG. 1 shows a perspective view of an exemplary first embodiment of a drywall finish piece for recessed lights showing my new design;

FIG. 2 is a bottom plan view of the first embodiment of FIG. 1;

FIG. 3 is a top plan view of the first embodiment of FIG. 1;

FIG. 4 is a right side elevation view of the first embodiment of FIG. 1;

FIG. 5 is a left side elevation view of the first embodiment of FIG. 1;

FIG. 6 is a cross-sectional view of FIG. 2 taken across plane 6—6 thereof;

FIG. 7 is a perspective view of an exemplary second embodiment of the design with environment features of drywall and a light illustrated as dashed lines;

FIG. 8 is a top plan view of FIG. 7;

FIG. 9 is a bottom plan view of FIG. 7;

FIG. 10 is a cross-sectional view of view of FIG. 8 taken across plane 10—10 thereof;

FIG. 11 is a perspective view of an exemplary third embodiment of my design provided with a rib;

FIG. 12 is a bottom view of FIG. 11;

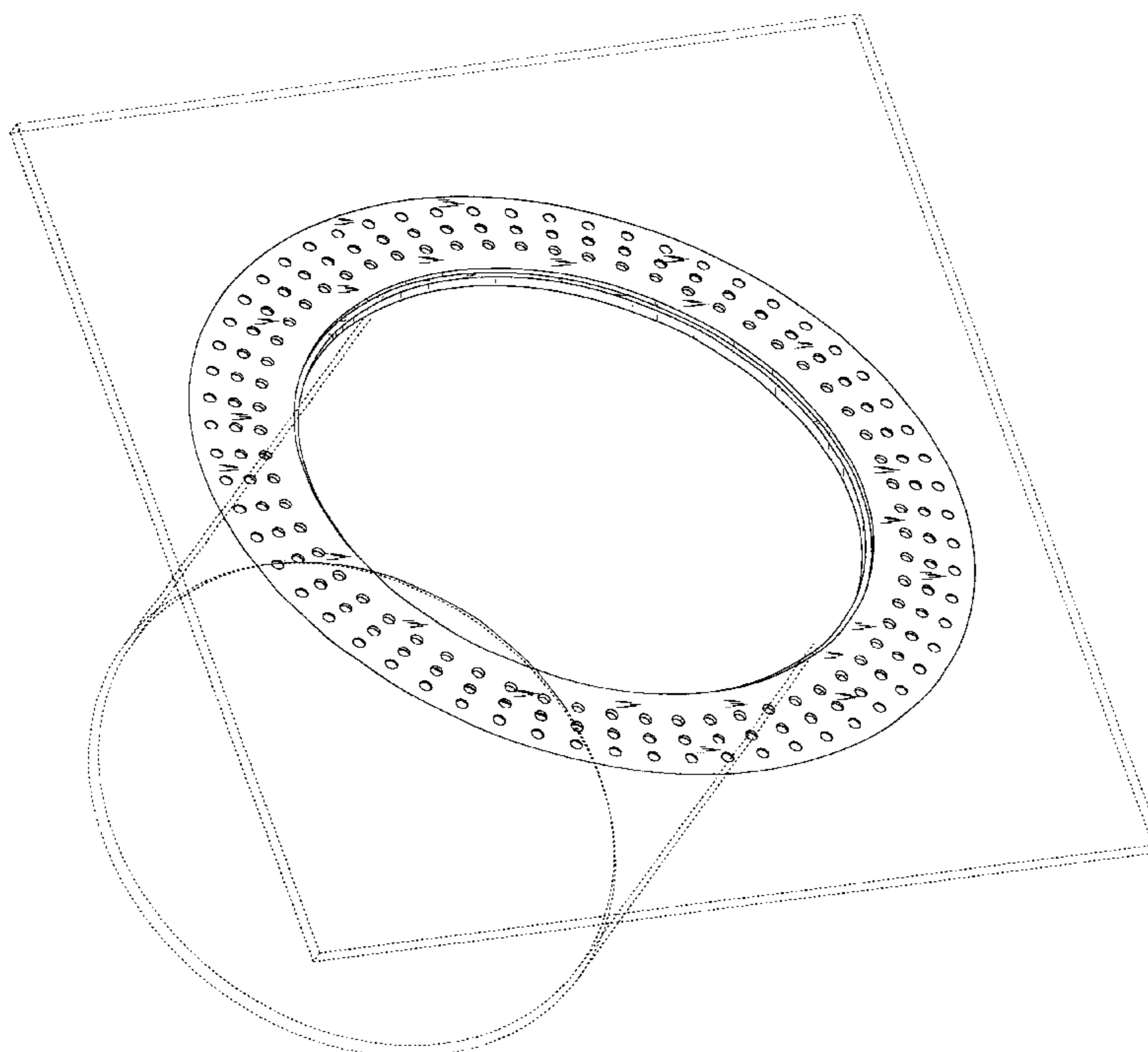
FIG. 13 is a top plan view of FIG. 11;

FIG. 14 is a right side elevation view of FIG. 11;

FIG. 15 is a left side elevation view of FIG. 11; and,

FIG. 16 is a cross-sectional view of FIG. 12 taken across plane 16—16 thereof.

**1 Claim, 9 Drawing Sheets**



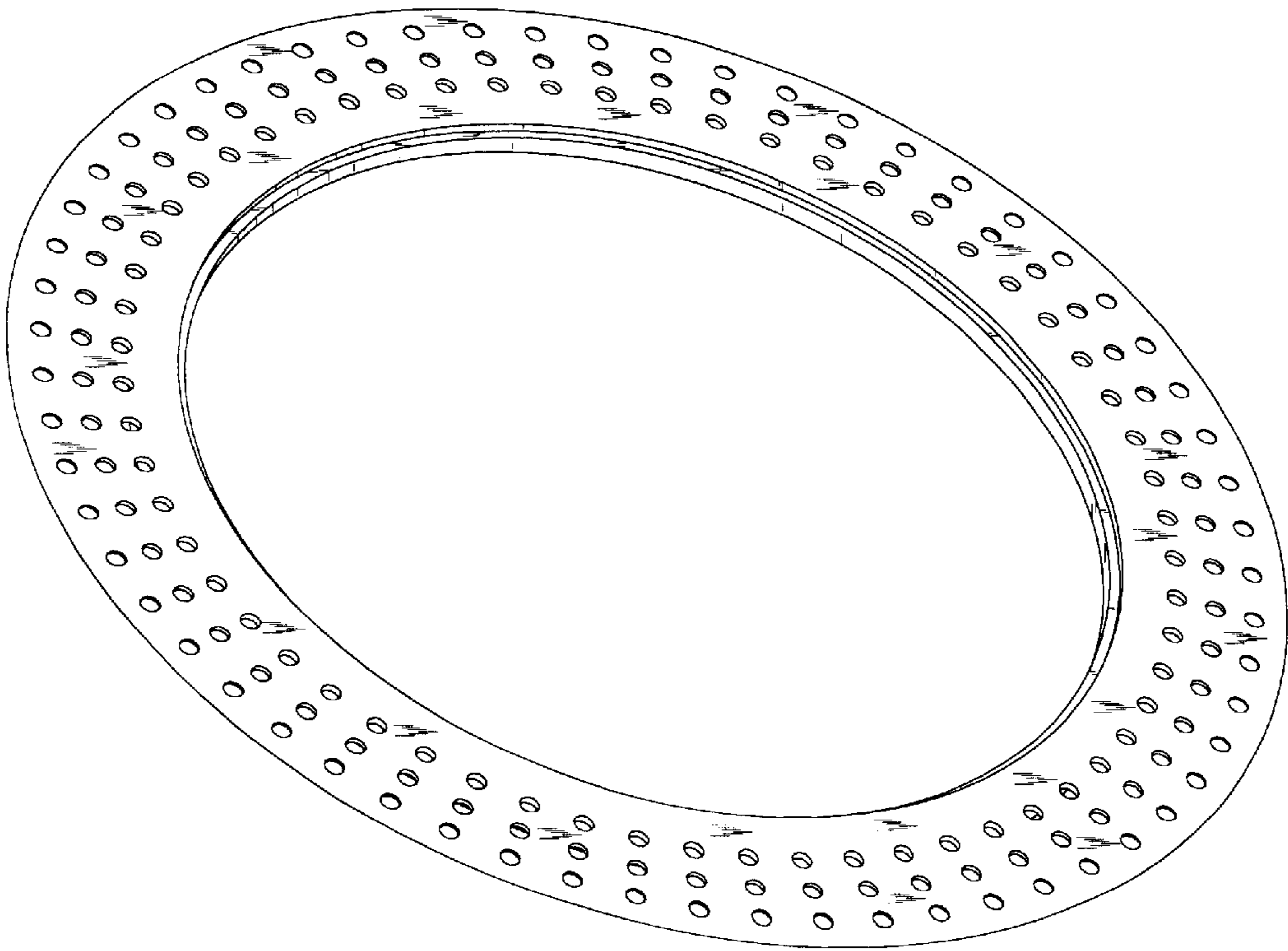


FIG. 1

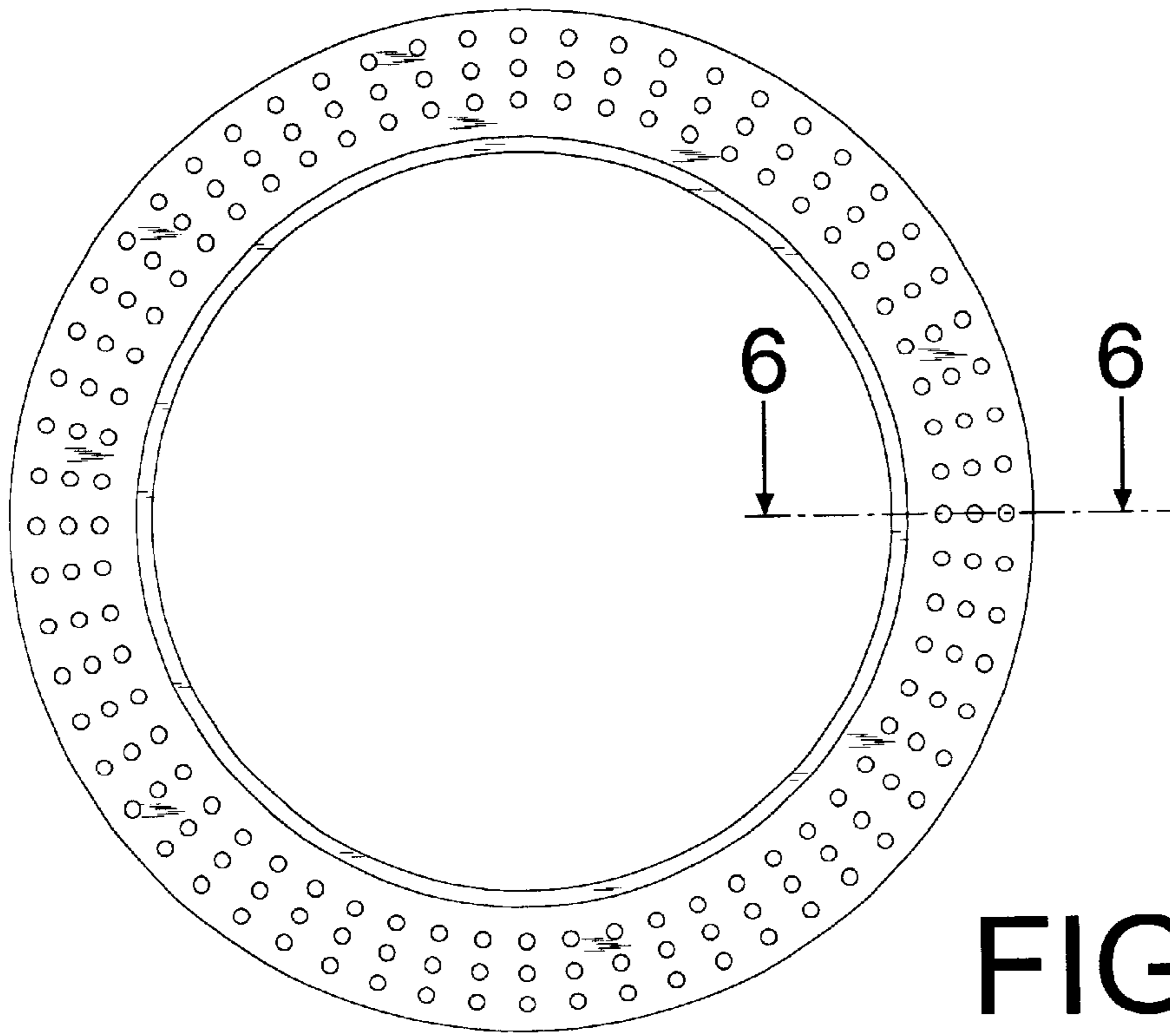


FIG. 2

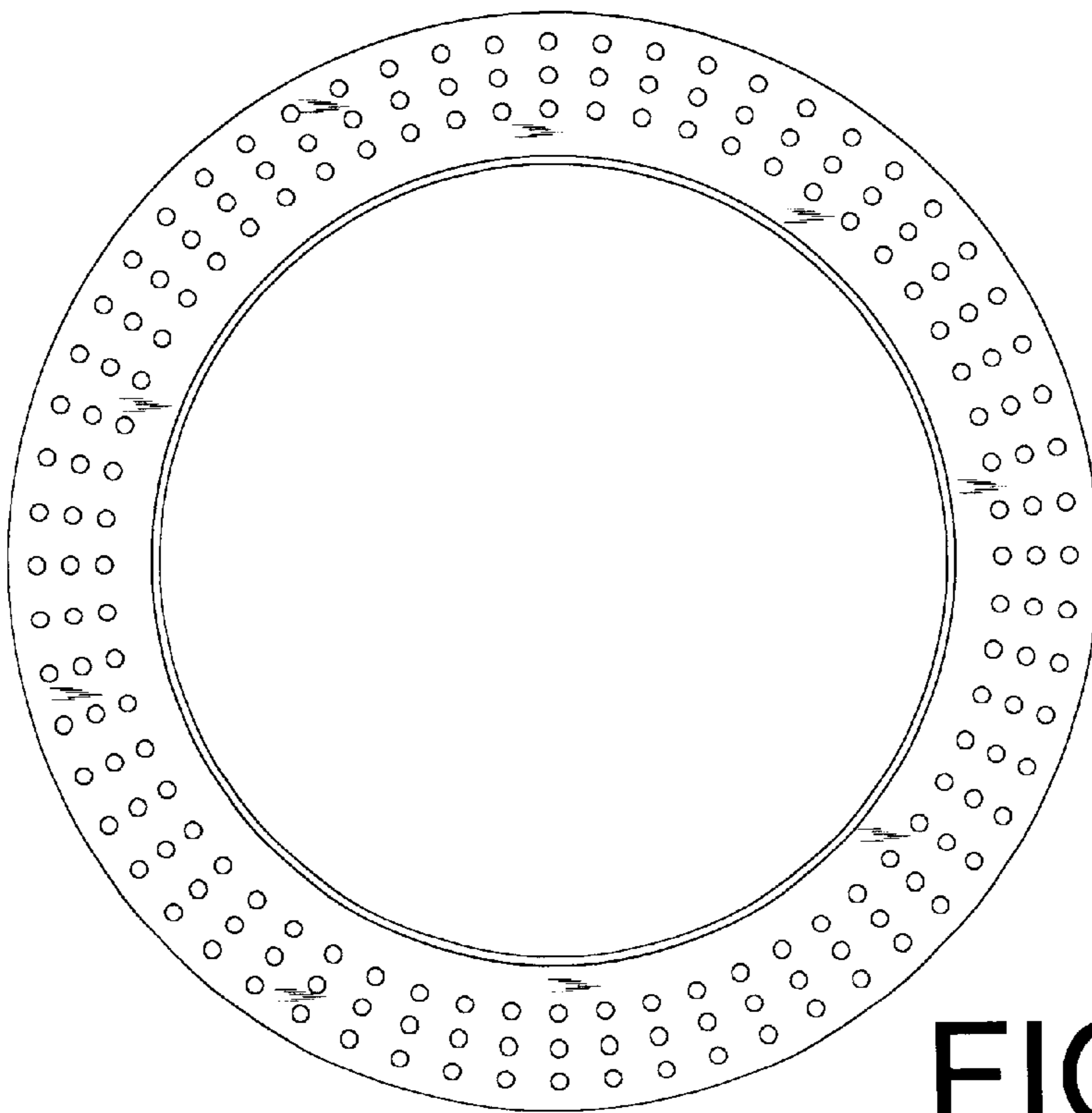


FIG. 3

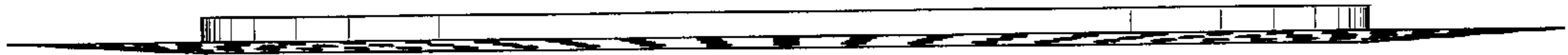


FIG. 4

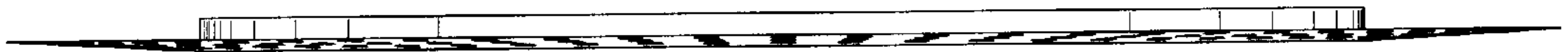


FIG. 5

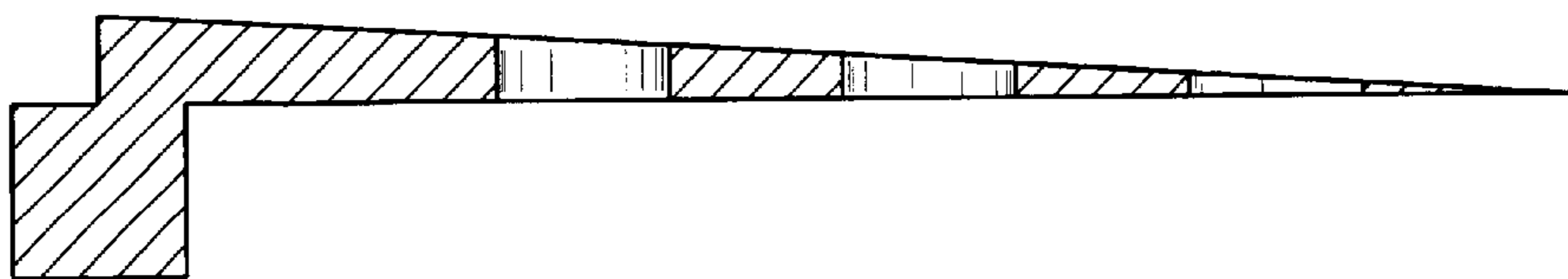


FIG. 6

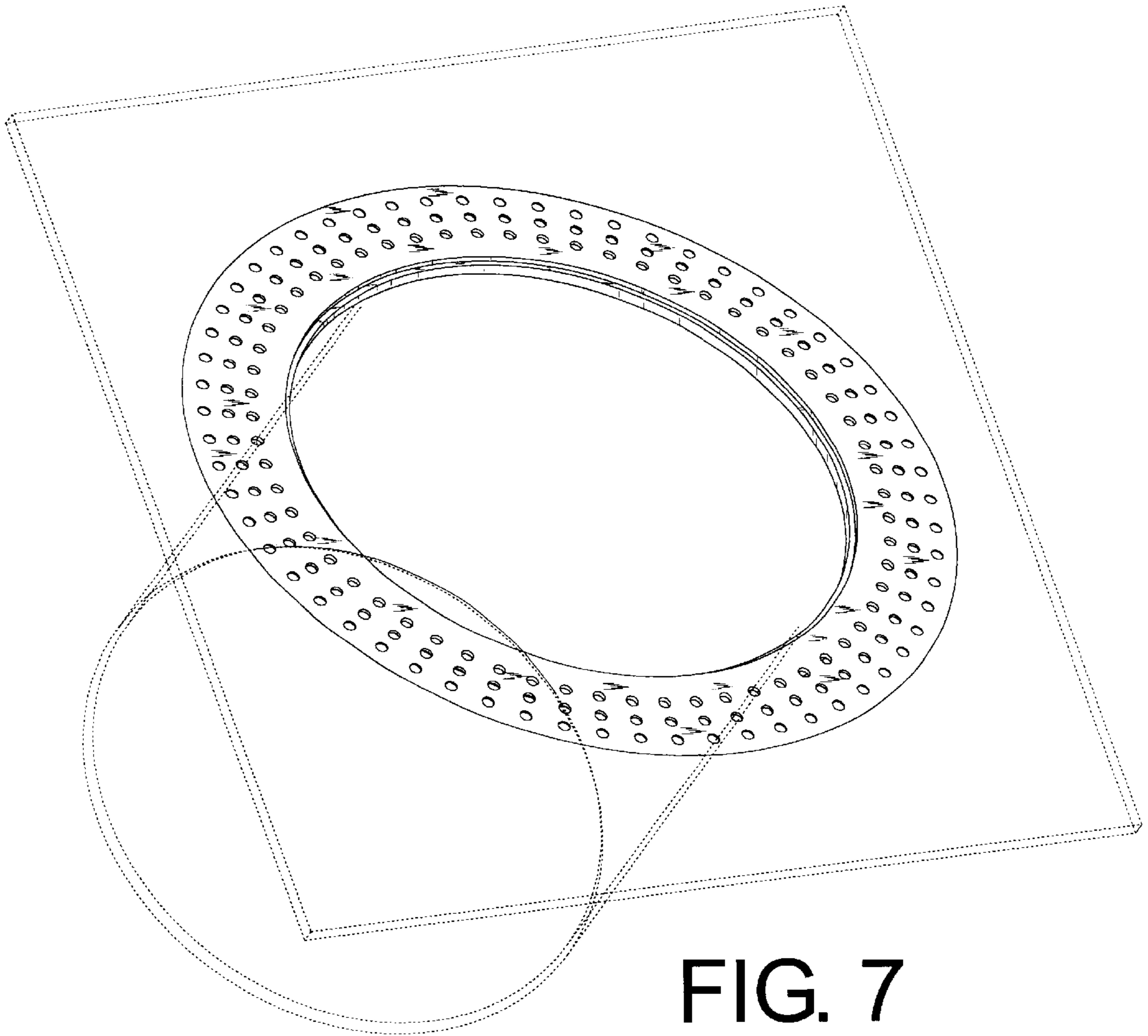


FIG. 7

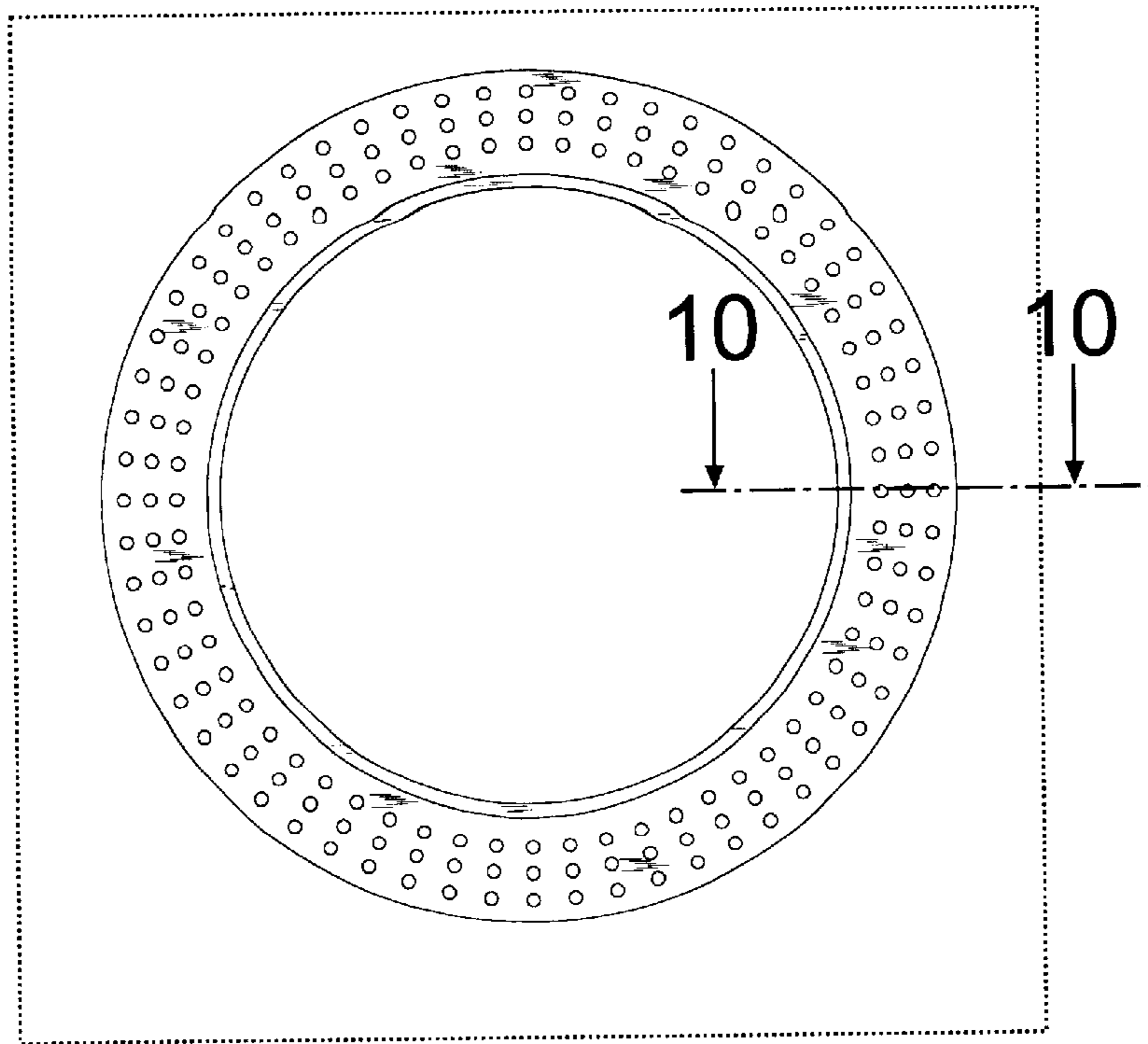


FIG. 8

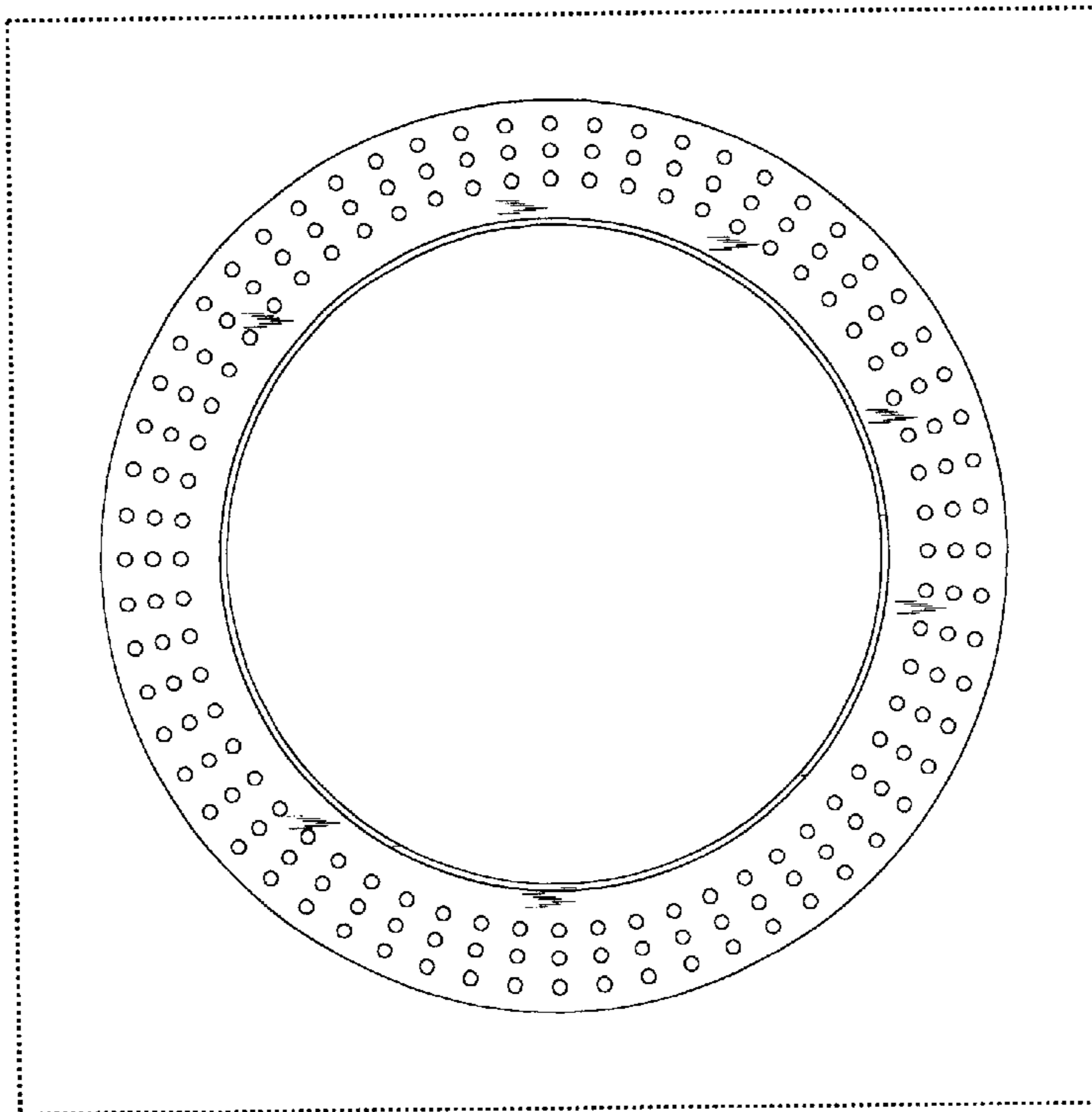


FIG. 9

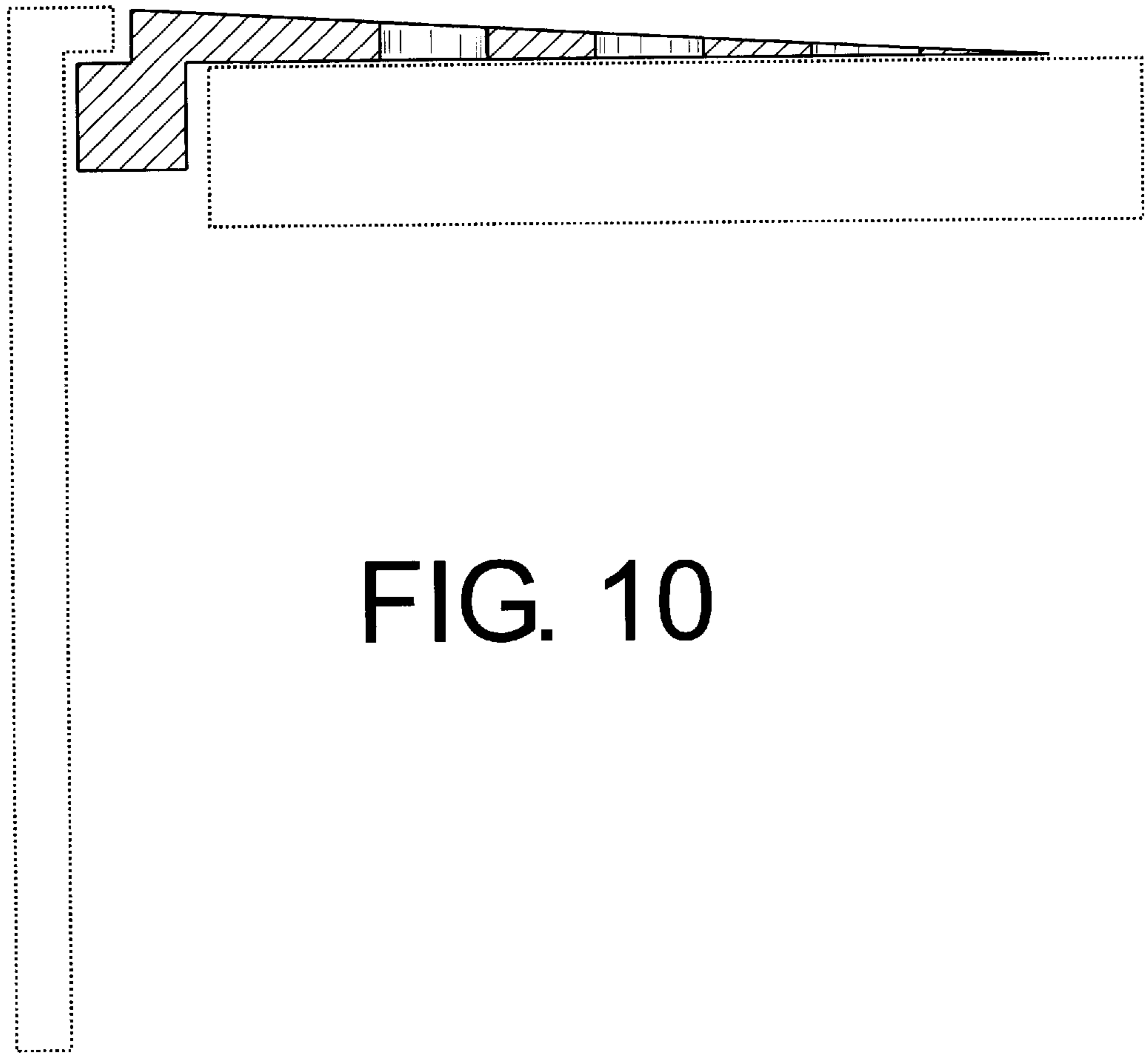


FIG. 10

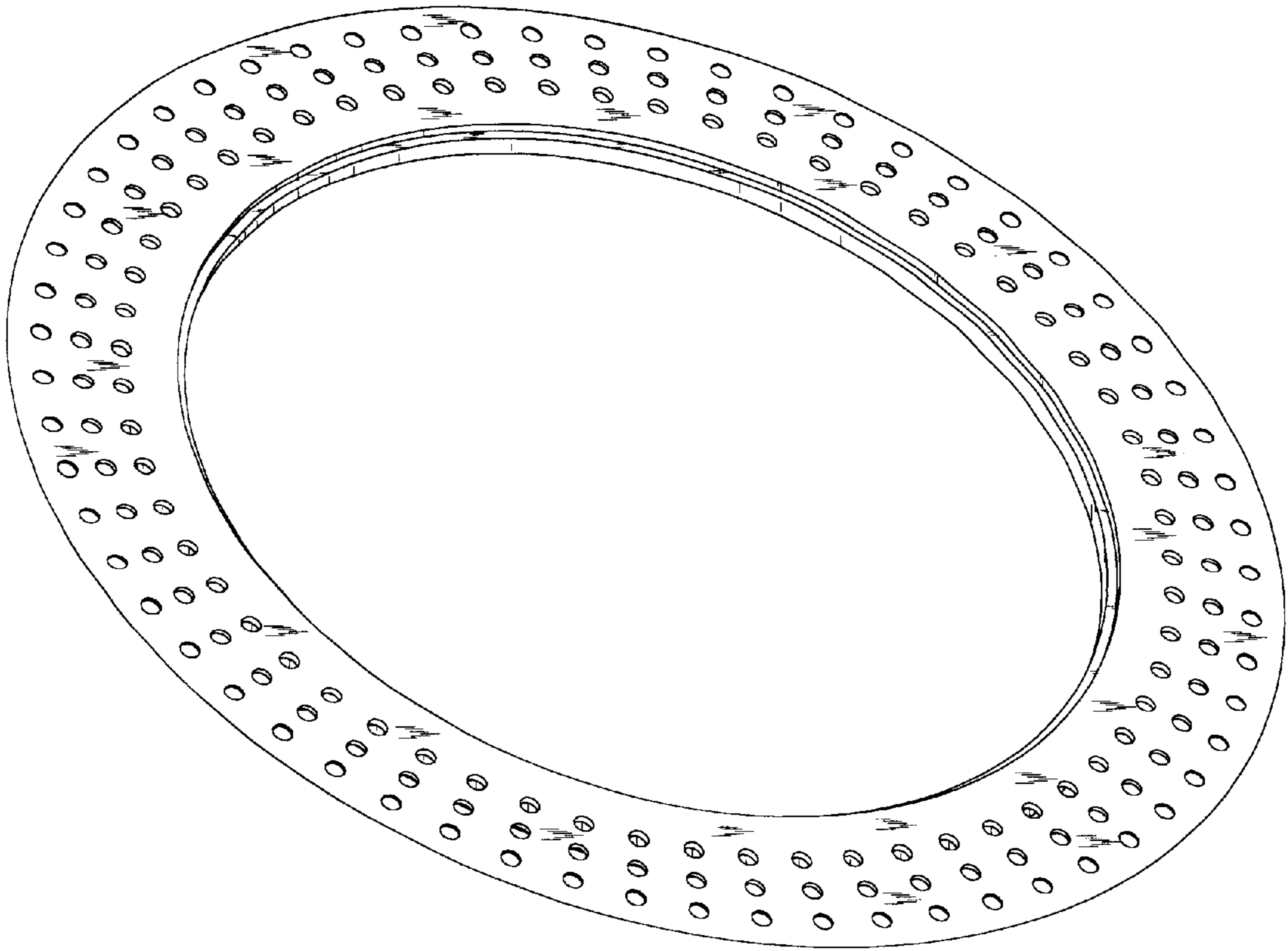


FIG. 11



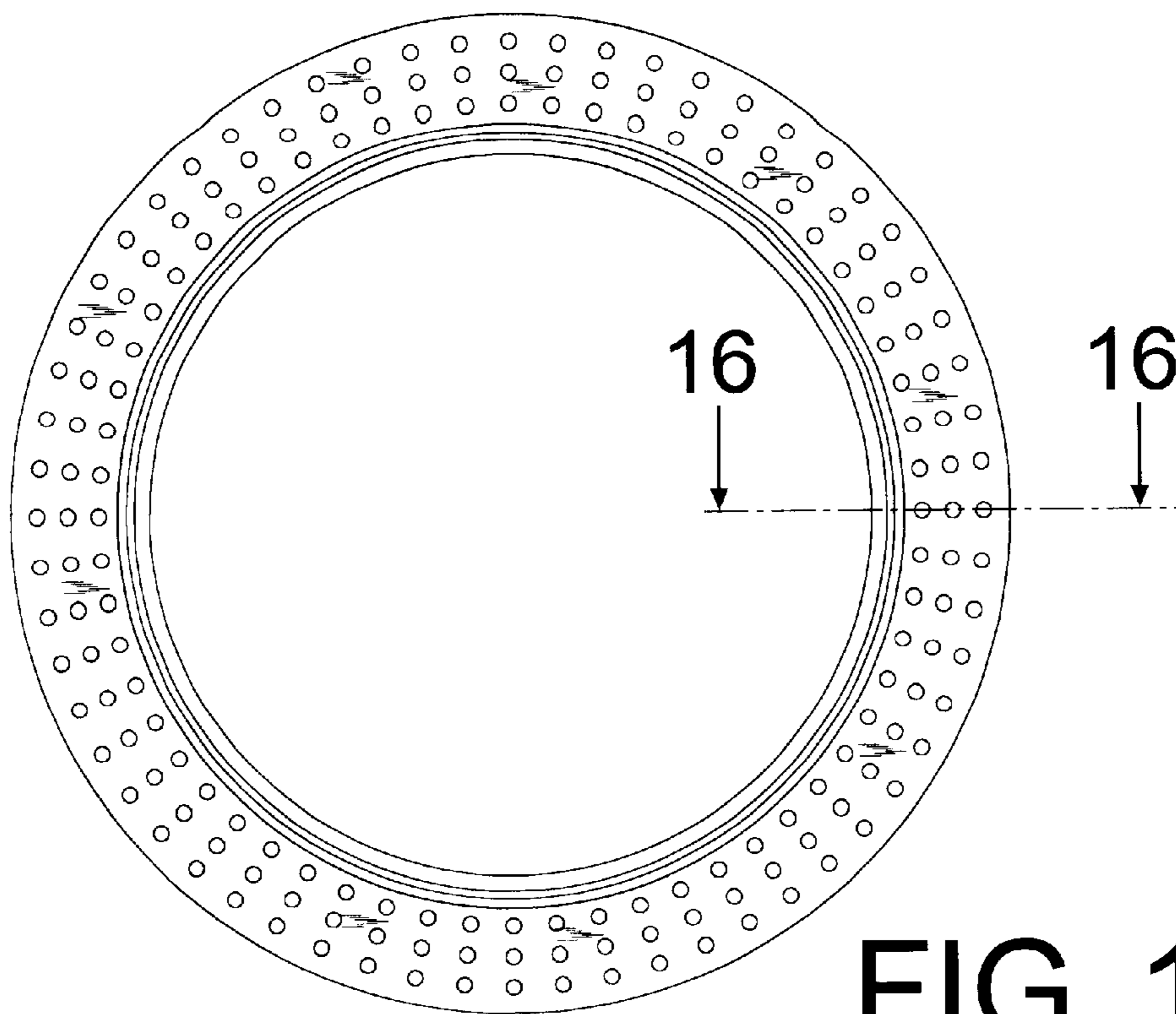


FIG. 12

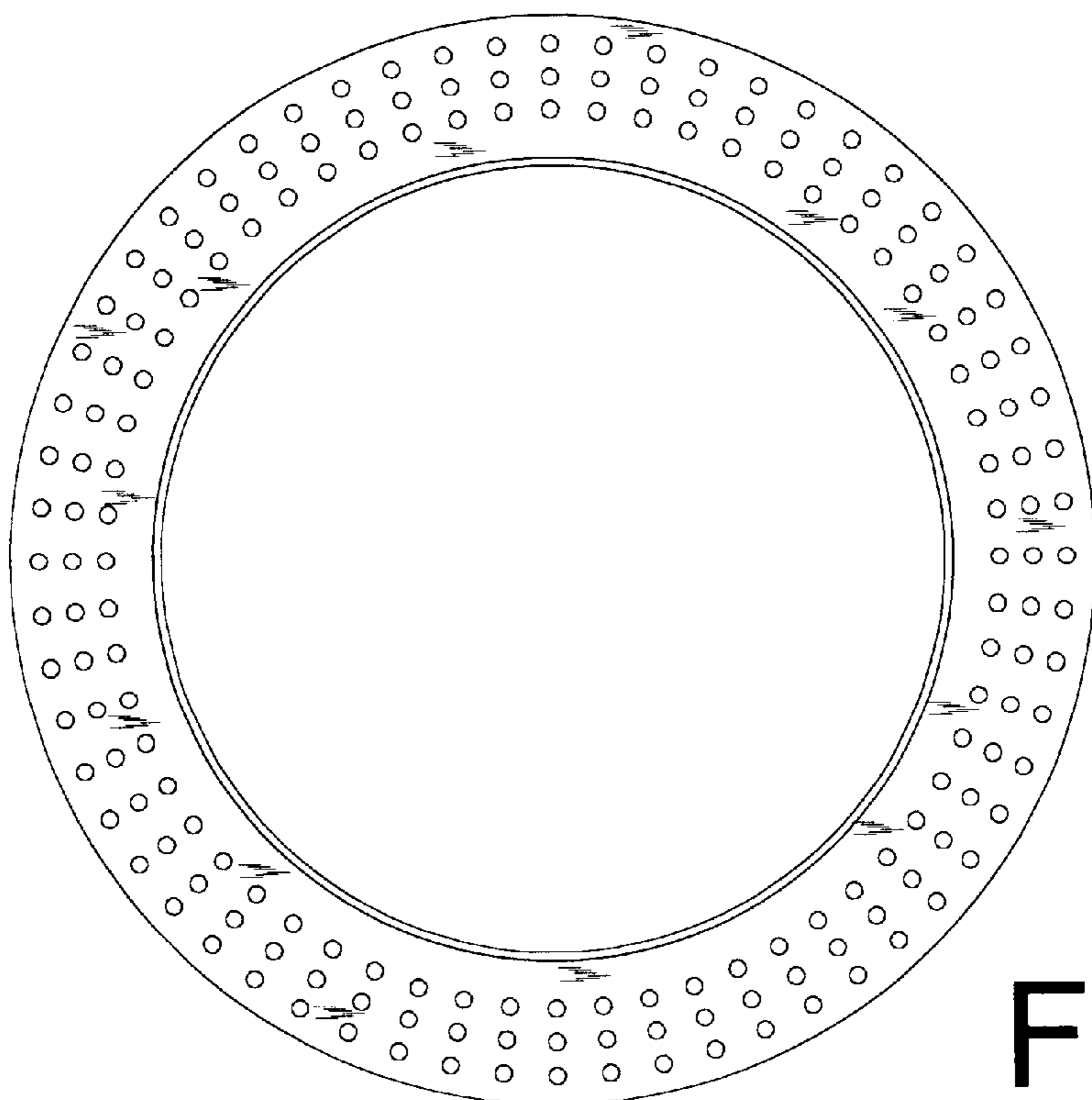


FIG. 13

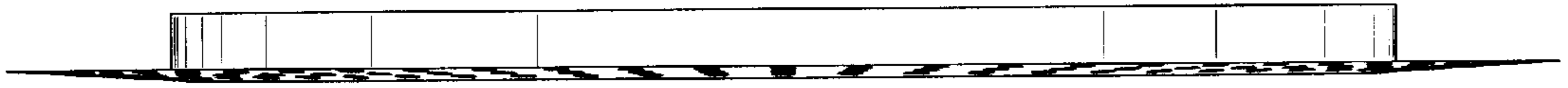


FIG. 14

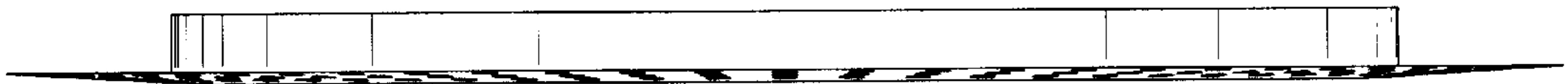


FIG. 15

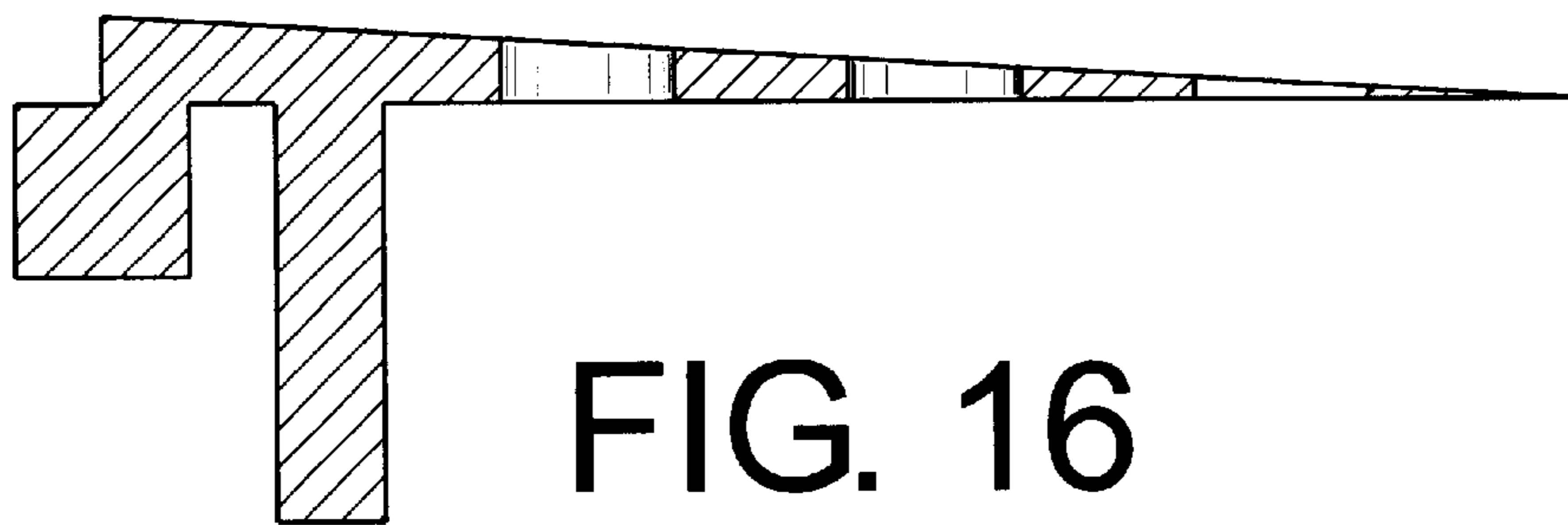


FIG. 16