



US00D490927S

(12) **United States Design Patent**
Keller

(10) **Patent No.:** **US D490,927 S**

(45) **Date of Patent:** **** Jun. 1, 2004**

(54) **LIGHTING FIXTURE**

(75) Inventor: **Charles Keller**, St. Gallen (CH)

(73) Assignee: **Zumtobel Staff GmbH**, Dornbirn (AT)

(**) Term: **14 Years**

(21) Appl. No.: **29/173,475**

(22) Filed: **Dec. 31, 2002**

(30) **Foreign Application Priority Data**

Jul. 4, 2002 (DE) 4 02 05 661

(51) **LOC (7) Cl.** **26-03**

(52) **U.S. Cl.** **D26/77; D26/78**

(58) **Field of Search** **D26/24, 72, 75-78;**
362/217-225, 151, 133

(56) **References Cited**

U.S. PATENT DOCUMENTS

908,838	A	*	1/1909	Brown	D26/77
D125,001	S	*	2/1941	Klingsick	D26/78
D127,823	S	*	6/1941	Biller	D26/78
2,287,565	A	*	6/1942	Phillips	362/220
2,531,232	A	*	11/1950	Naysmith	362/219
2,564,273	A	*	8/1951	Neuman	362/221
3,125,301	A	*	3/1964	Stotter	362/217
4,407,011	A	*	9/1983	Lahm	362/225
4,499,529	A	*	2/1985	Figueroa	362/217
6,033,092	A	*	3/2000	Simon	362/223
D463,879	S	*	10/2002	Mier-Langner et al.	D26/77
D464,161	S	*	10/2002	Nourishad	D26/78

* cited by examiner

Primary Examiner—Clare E. Heflin

(74) *Attorney, Agent, or Firm*—Fitzpatrick, Cella, Harper & Scinto

(57) **CLAIM**

The ornamental design for a lighting fixture, as shown and described.

DESCRIPTION

FIG. 1 is a fragmentary view showing one end and a portion of the bottom of a first embodiment of the new design of a lighting fixture;

FIG. 2 is a fragmentary perspective view showing one end, a portion of one side and a portion of the bottom of the lighting fixture of FIG. 1;

FIG. 3 is a longitudinal elevational view, showing one side of the lighting fixture of FIG. 1;

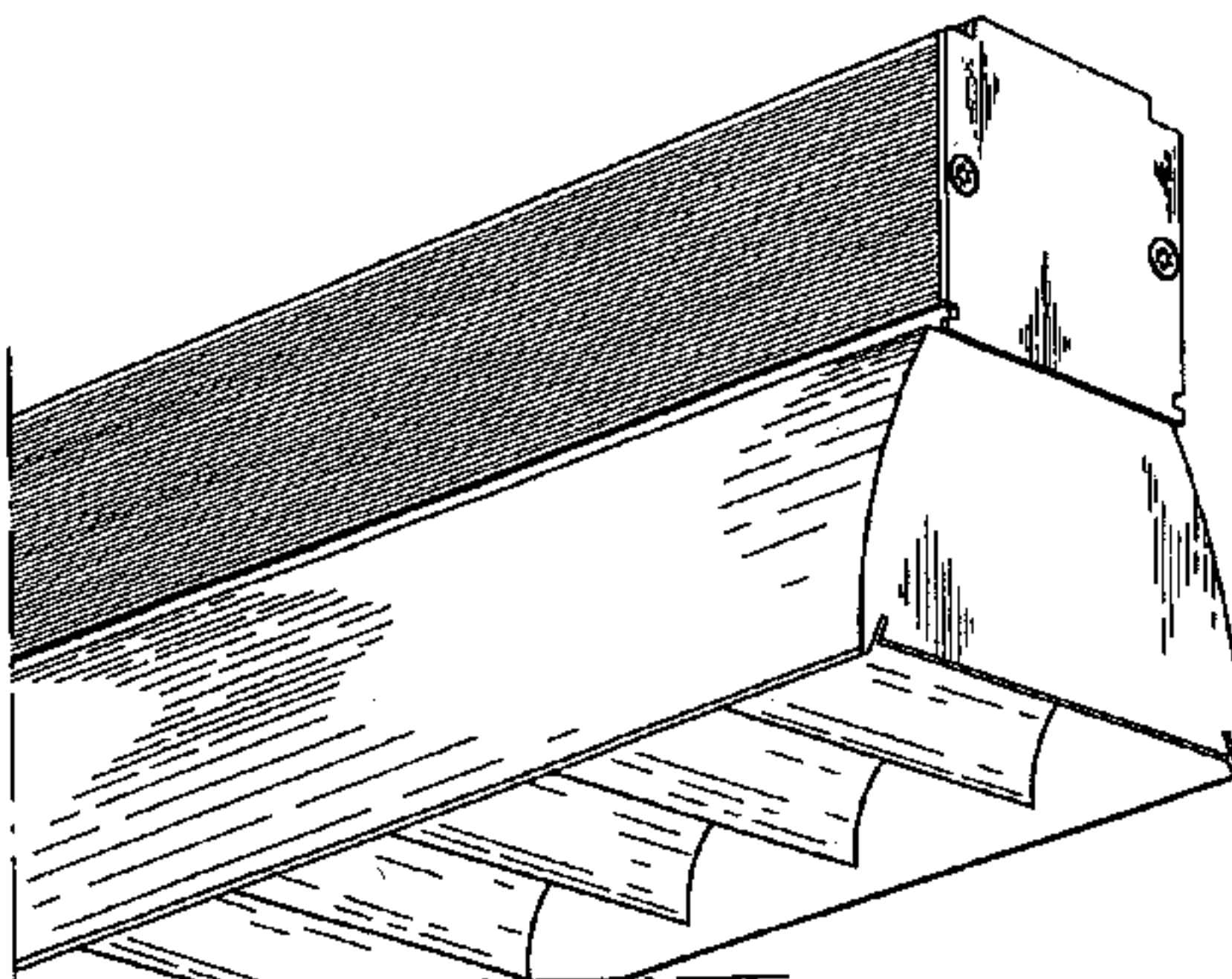
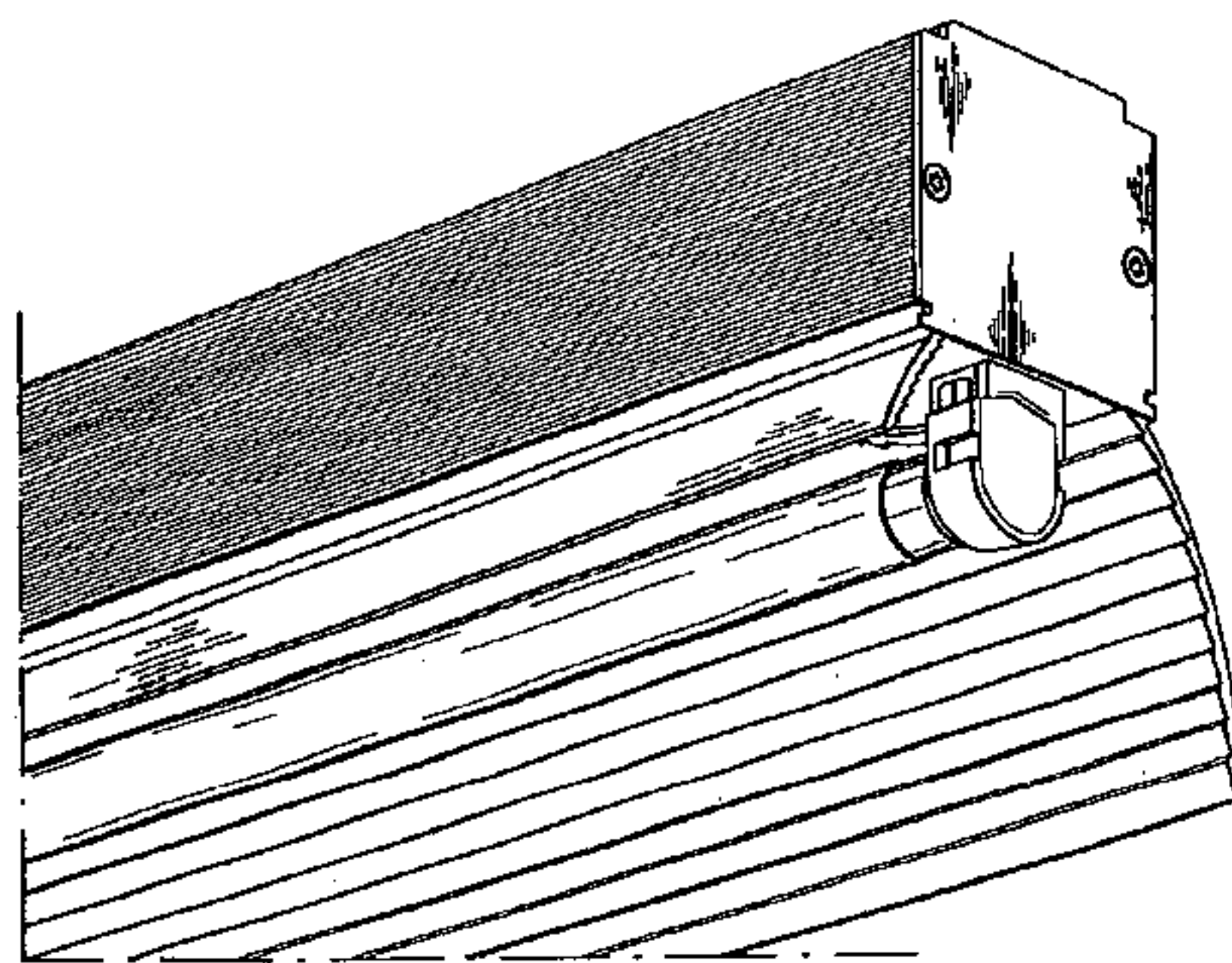
FIG. 4 is a longitudinal elevational view, slightly tilted along its longitudinal axis and showing an opposite side and the top of the lighting fixture of FIG. 1;

FIG. 5 is a fragmentary perspective view showing one end, a portion of the bottom and a portion of one side of a second embodiment of the new design of a lighting fixture;

FIG. 6 is a longitudinal elevational view, slightly tilted along its longitudinal axis, and showing one side and the bottom of the lighting fixture of FIG. 5; and,

FIG. 7 is a fragmentary enlarged end view, slightly tilted and showing from below, a baffle configuration used in the lighting fixture of FIG. 5.

1 Claim, 5 Drawing Sheets



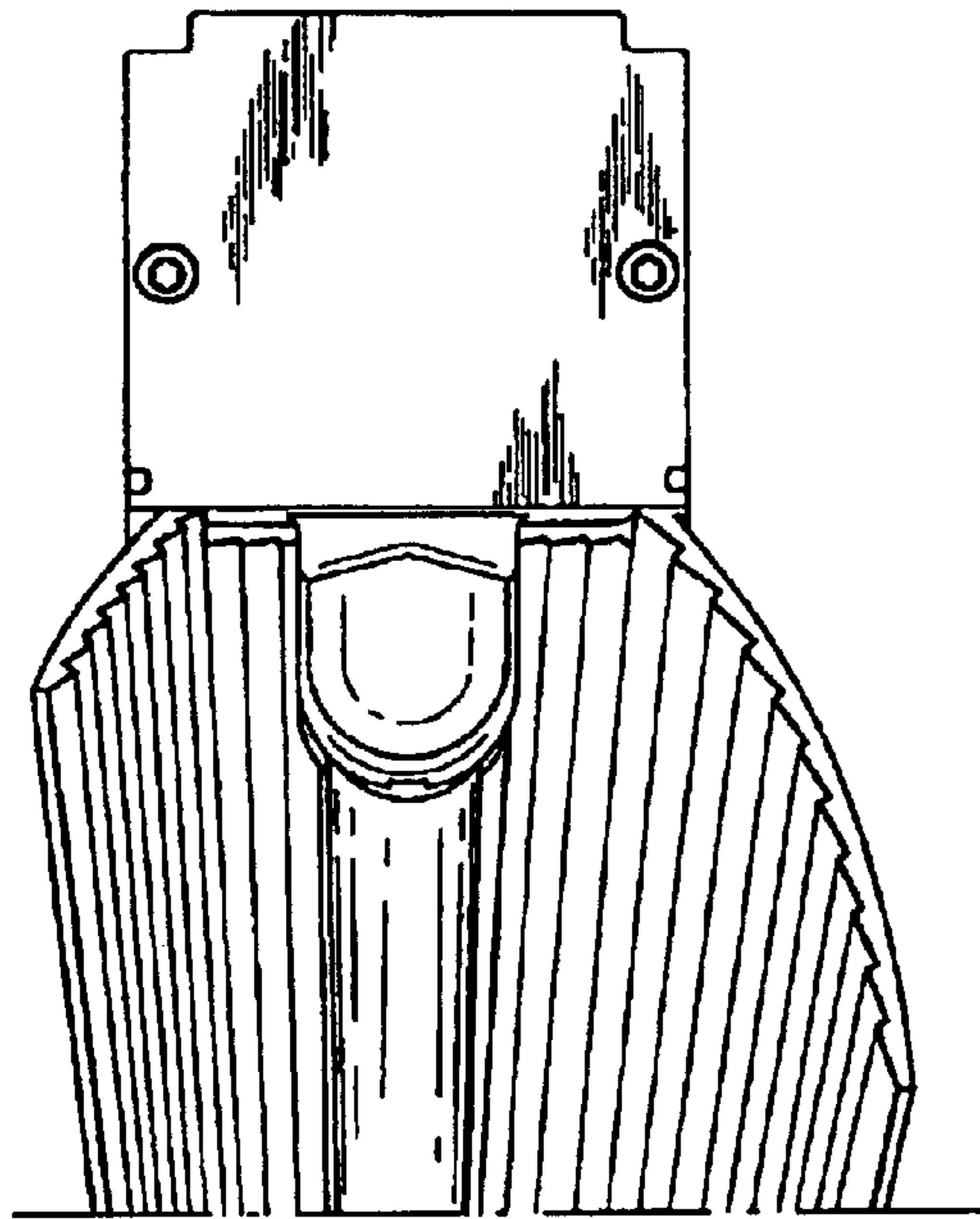
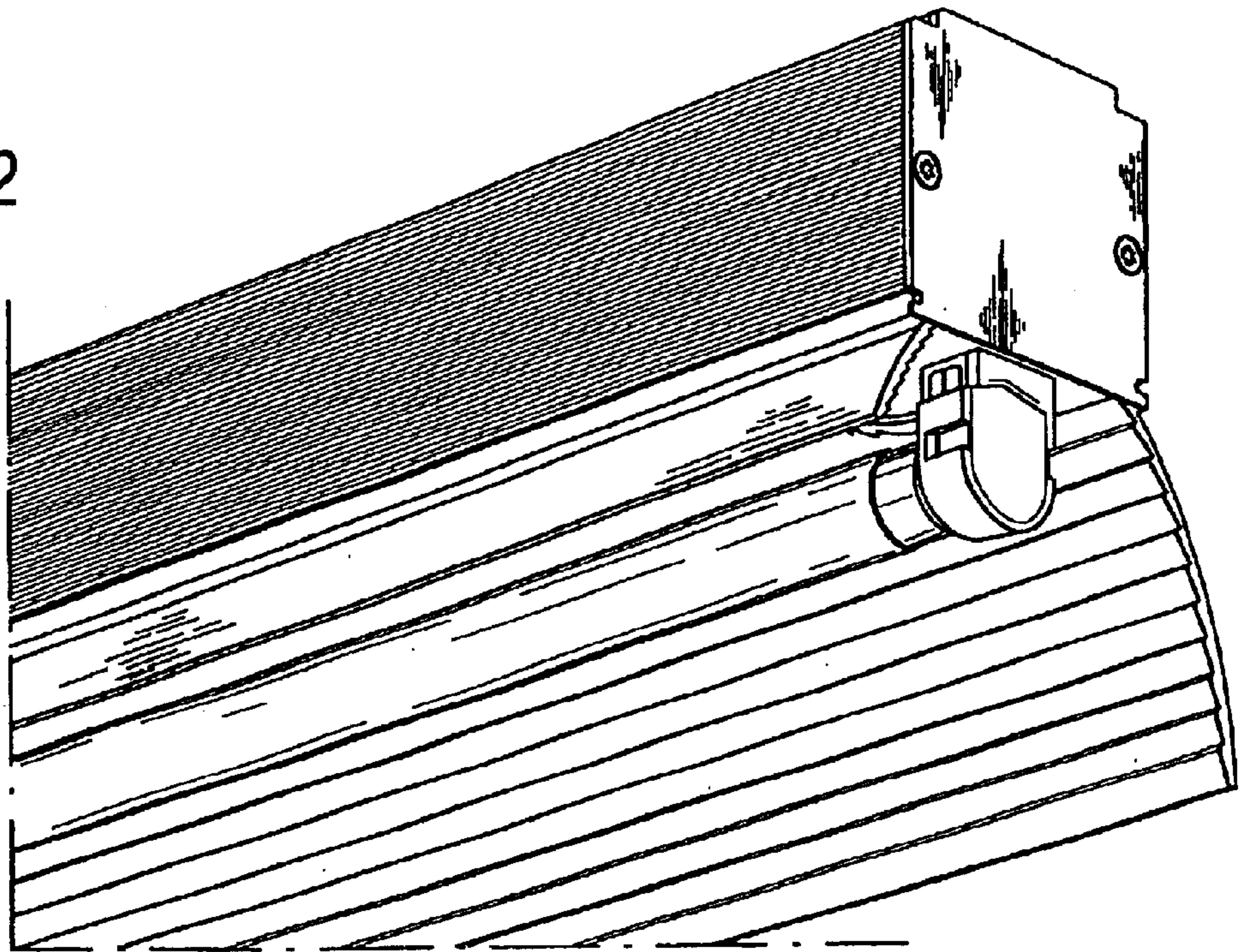


Fig. 1

Fig. 2



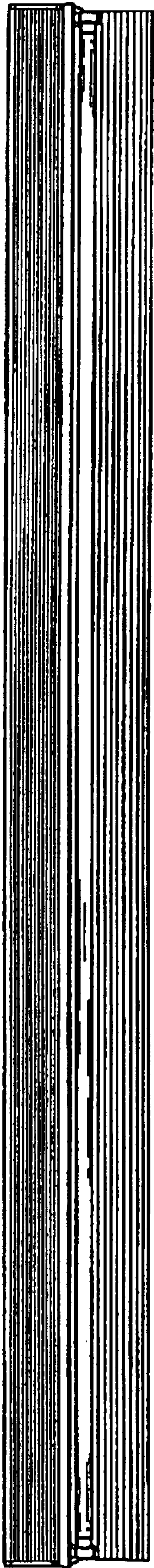


Fig. 3

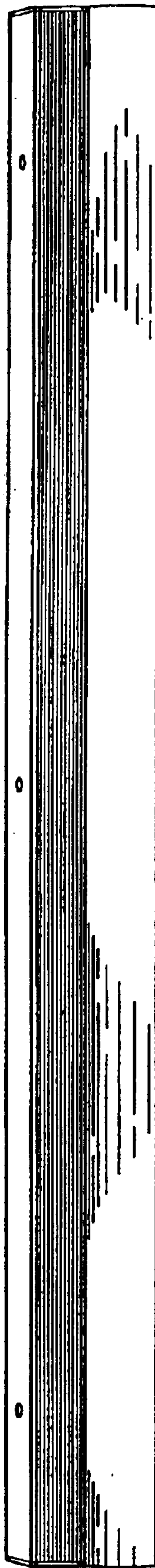


Fig. 4

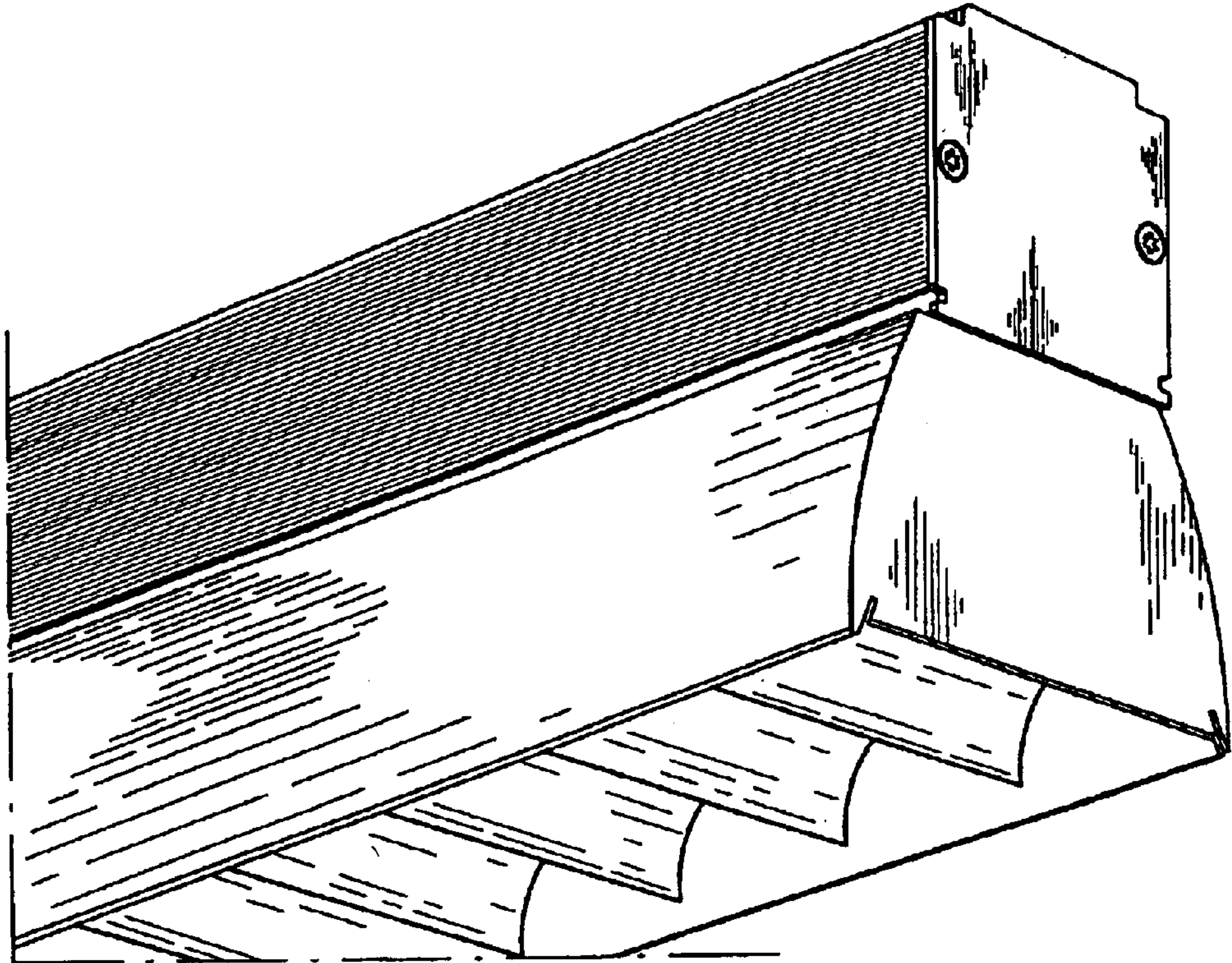


Fig. 5

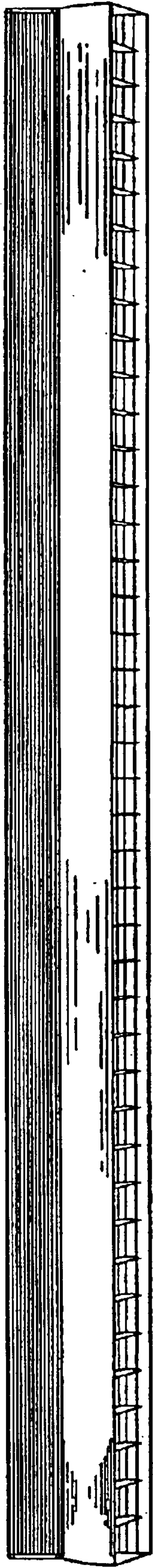


Fig. 6

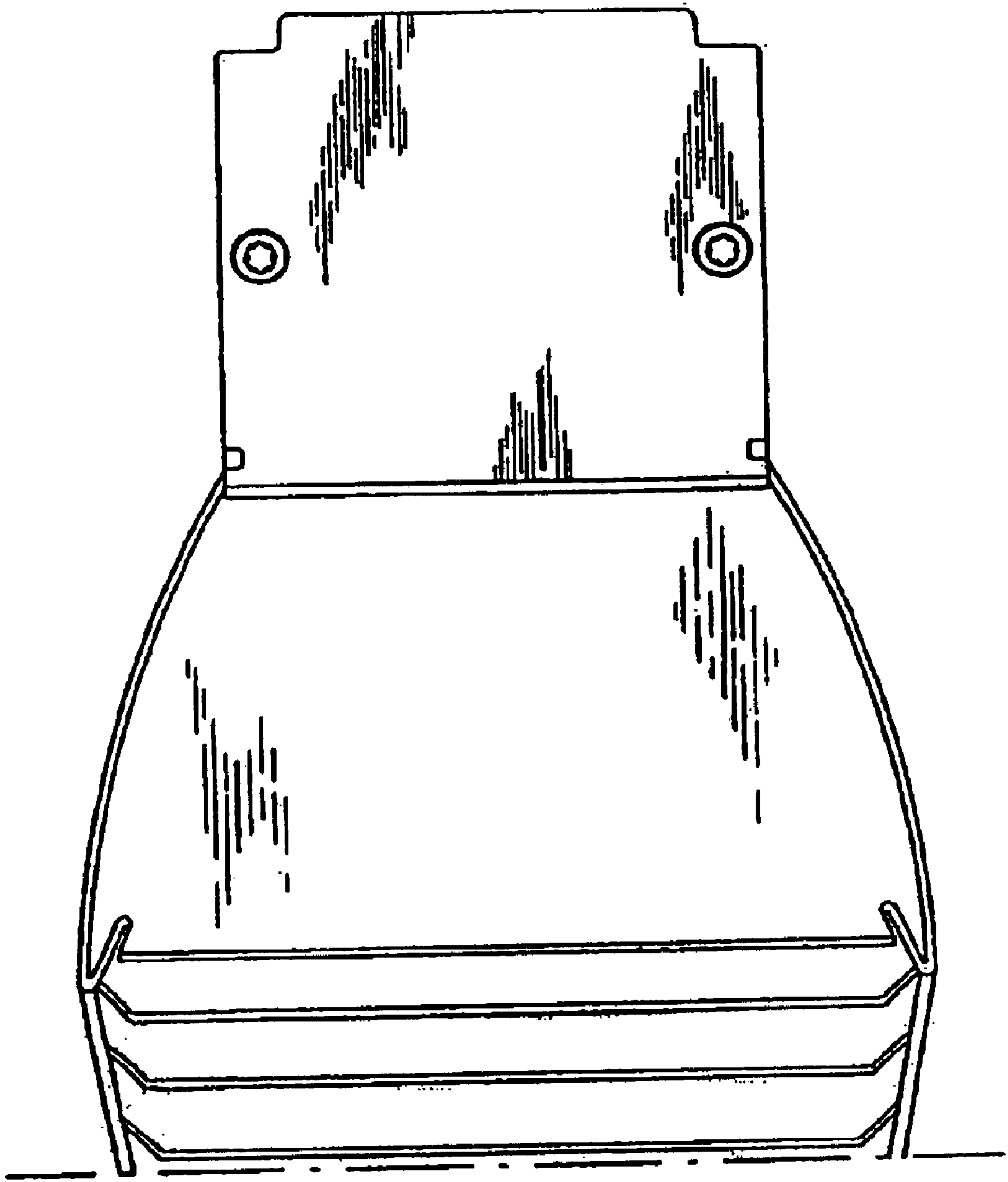


Fig. 7