



US00D490926S

(12) **United States Design Patent**
Katsura et al.

(10) **Patent No.:** **US D490,926 S**

(45) **Date of Patent:** **** Jun. 1, 2004**

(54) **DESK LAMP**

(75) Inventors: **Toshio Katsura**, Souraku-gun (JP);
Kuniharu Ichikawa, Kuse-gun (JP);
Takanobu Kondo, Nishinomiya (JP);
Toyoaki Hirano, Katano (JP)

(73) Assignee: **Matsushita Electric Works, Ltd.** (JP)

(**) Term: **14 Years**

(21) Appl. No.: **29/170,744**

(22) Filed: **Nov. 12, 2002**

(30) **Foreign Application Priority Data**

Jun. 14, 2002 (JP) 2002-016069

(51) **LOC (7) Cl.** **26-05**

(52) **U.S. Cl.** **D26/63**

(58) **Field of Search** D26/60-66; 362/267,
362/269, 281, 285, 487, 478, 419, 427,
430

(56) **References Cited**

U.S. PATENT DOCUMENTS

D441,476 S * 5/2001 Mendelsohn et al. D26/63

D448,507 S * 9/2001 Shen D26/63

* cited by examiner

Primary Examiner—Marcus A. Jackson

(74) *Attorney, Agent, or Firm*—Osha Novak & May L.L.P.

(57) **CLAIM**

The ornamental design for a desk lamp, as shown and described.

DESCRIPTION

FIG. 1 is a front view of the design according to one embodiment of the invention.

FIG. 2 is a side view of the design according to one embodiment of the invention.

FIG. 3 is a top view of the design according to one embodiment of the invention.

FIG. 4 is a bottom view of the design according to one embodiment of the invention.

FIG. 5 is a rear view of the design according to one embodiment of the invention.

FIG. 6 is a sectional side view along the 6—6 line shown in FIG. 3.

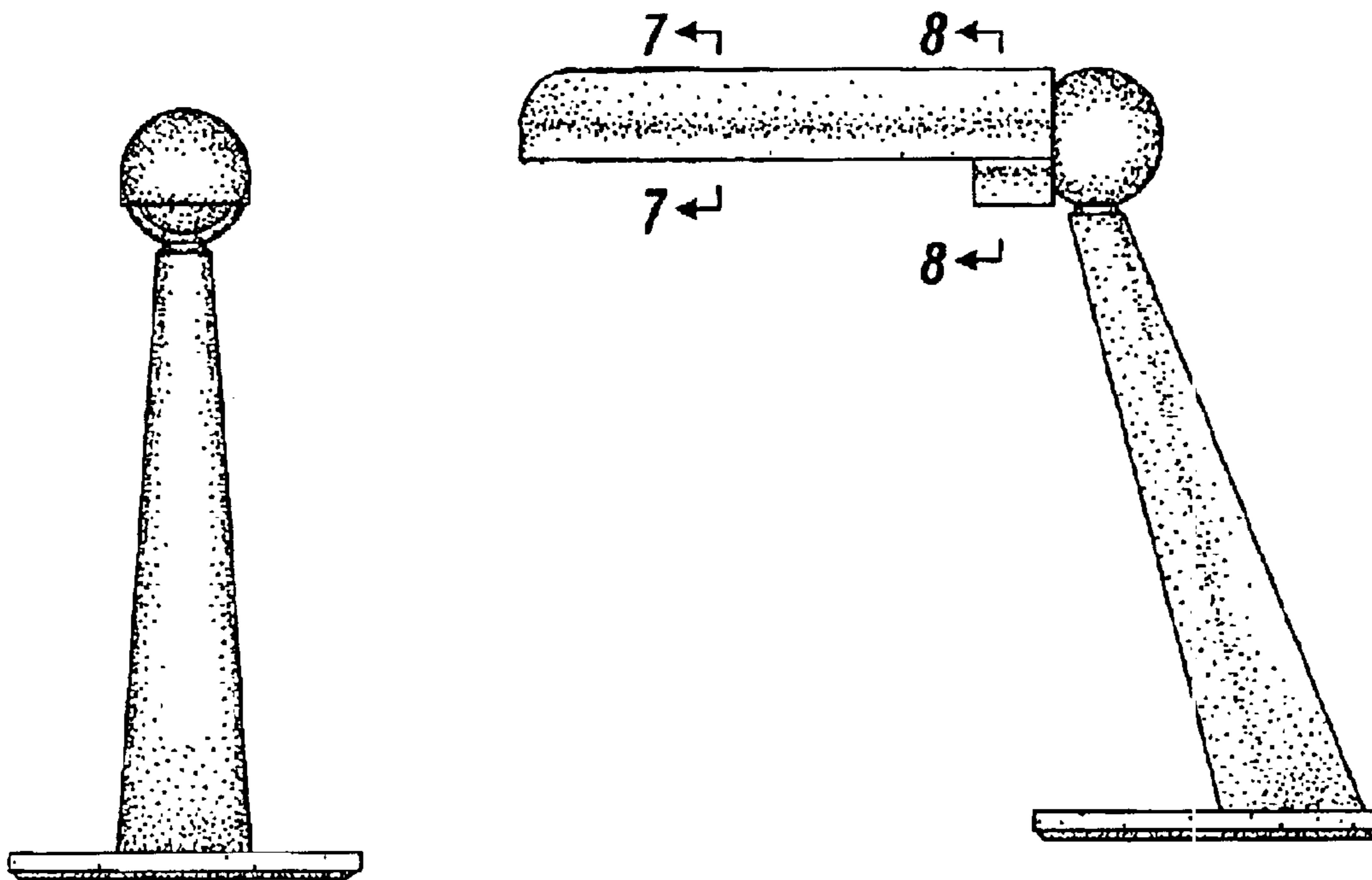
FIG. 7 is a sectional side view along the 7—7 line shown in FIG. 1.

FIG. 8 is a sectional side view along the 8—8 line shown in FIG. 1.

FIG. 9 is a perspective view in accordance with one embodiment of the invention; and,

FIG. 10 is a perspective view in accordance with one embodiment of the invention.

1 Claim, 2 Drawing Sheets



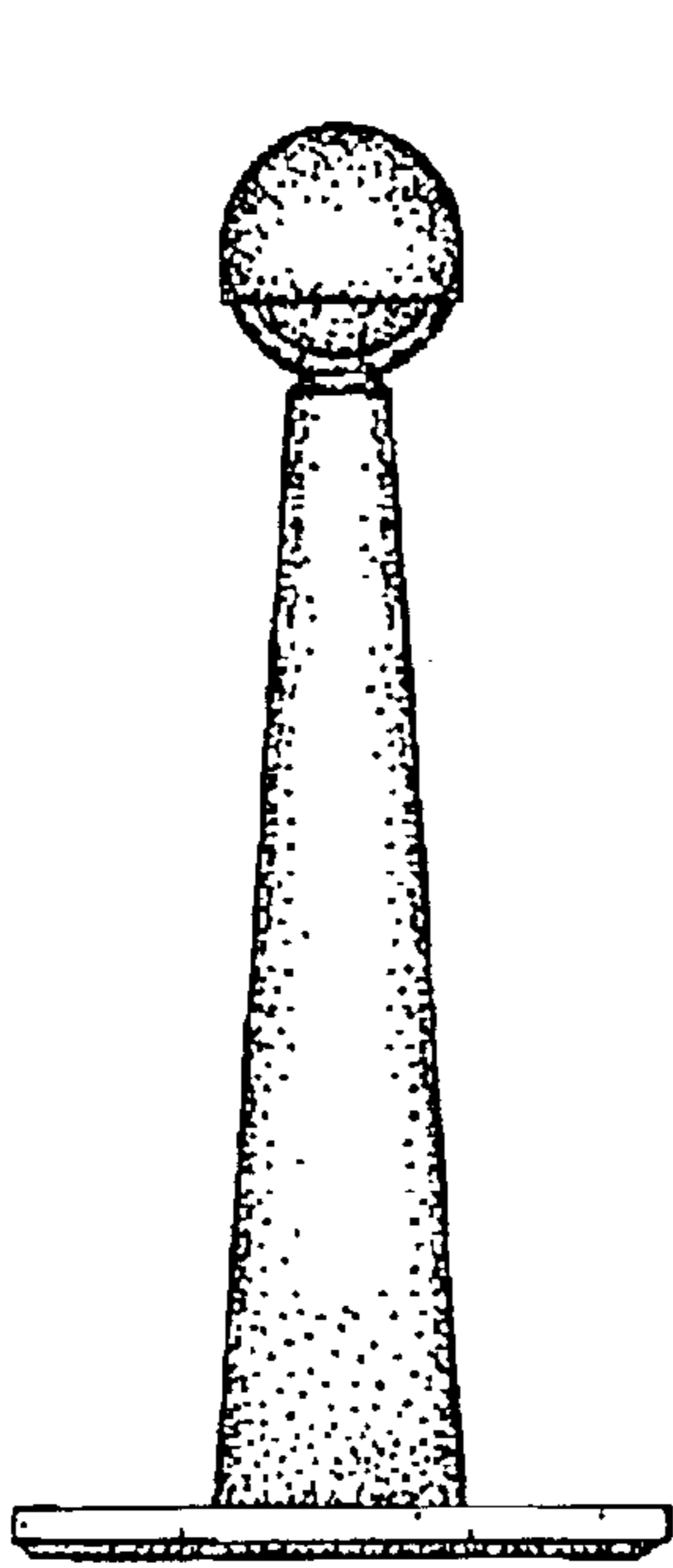


FIG. 1

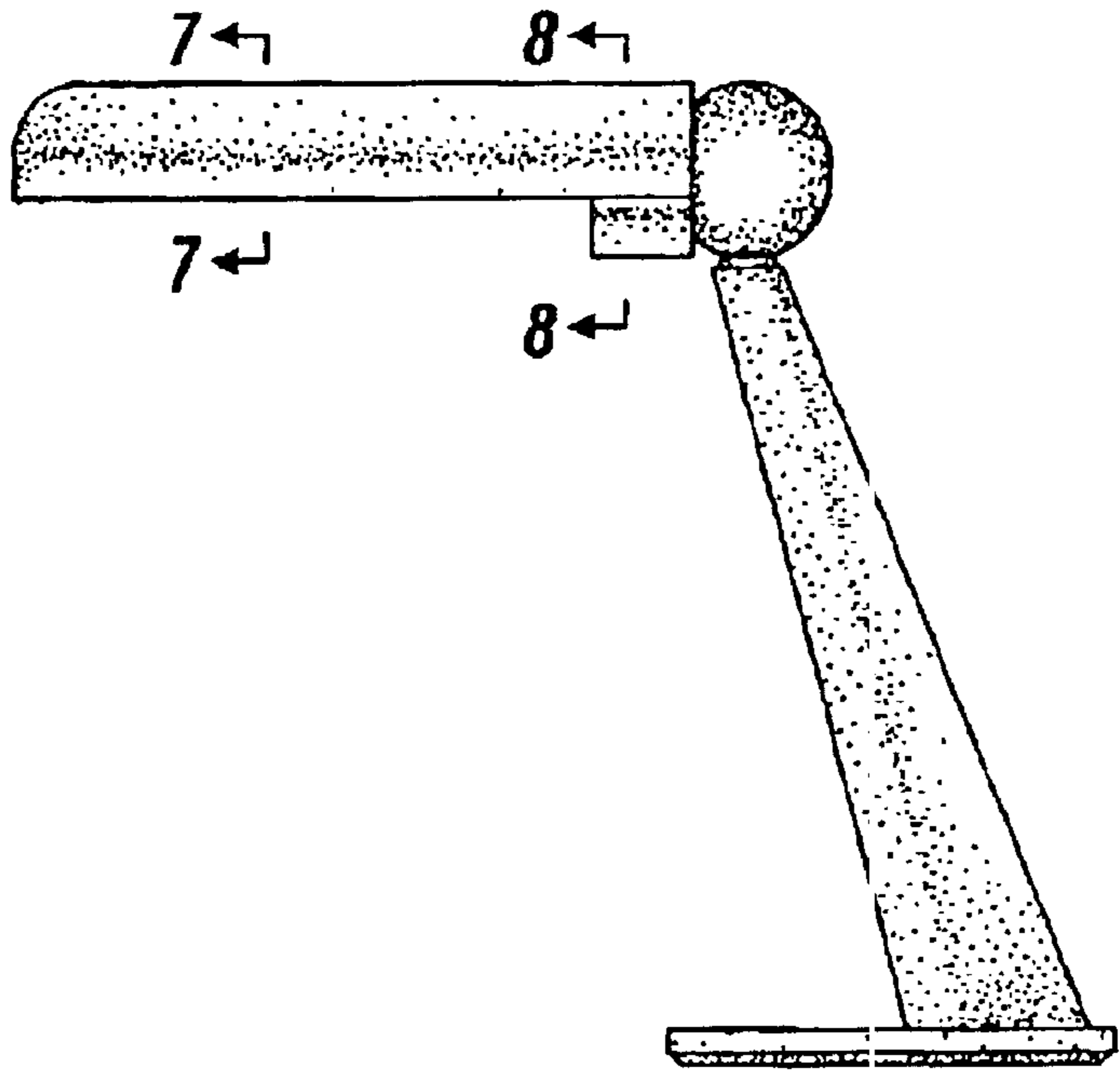


FIG. 2

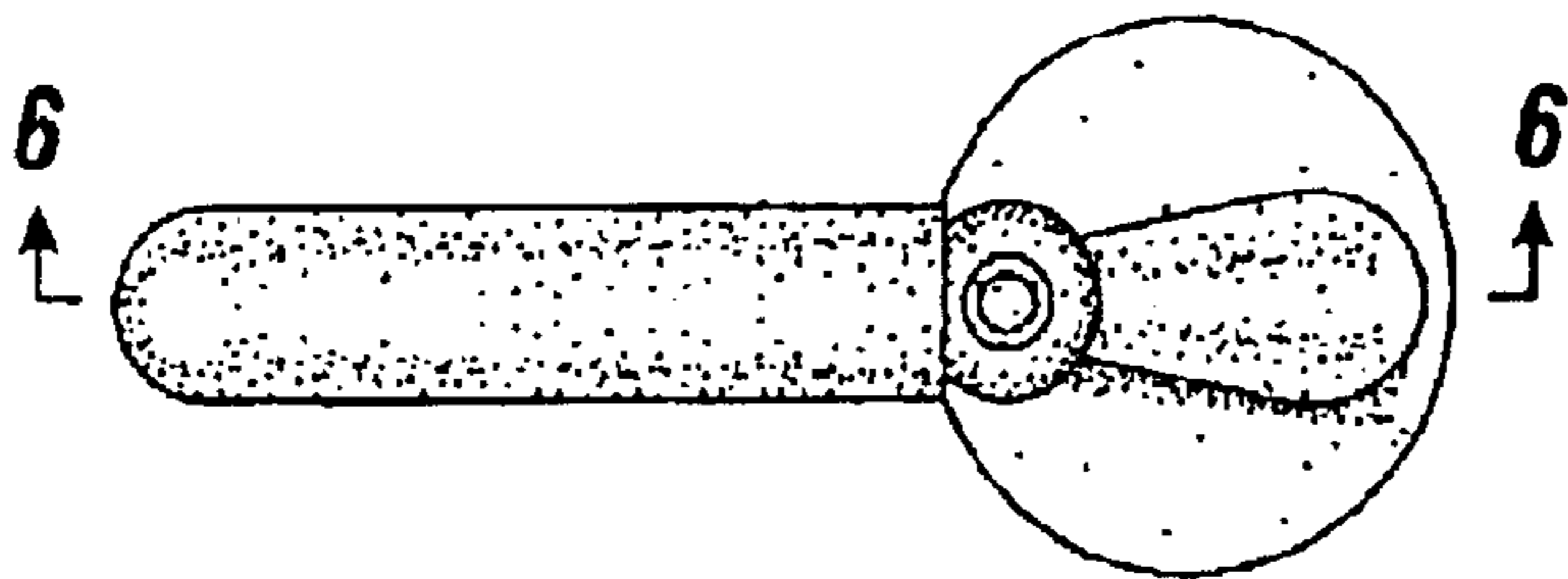


FIG. 3

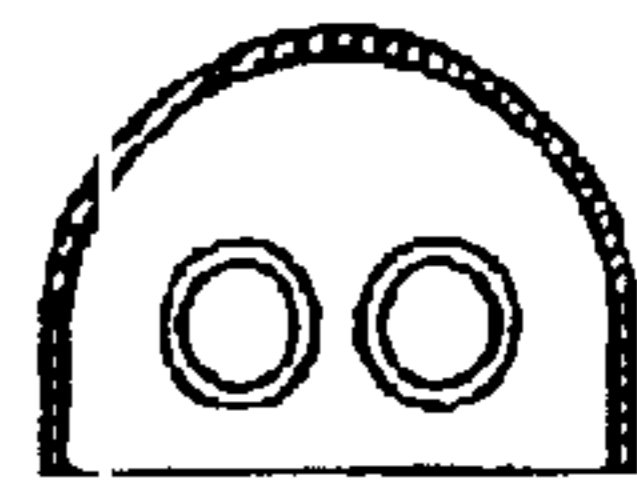


FIG. 7

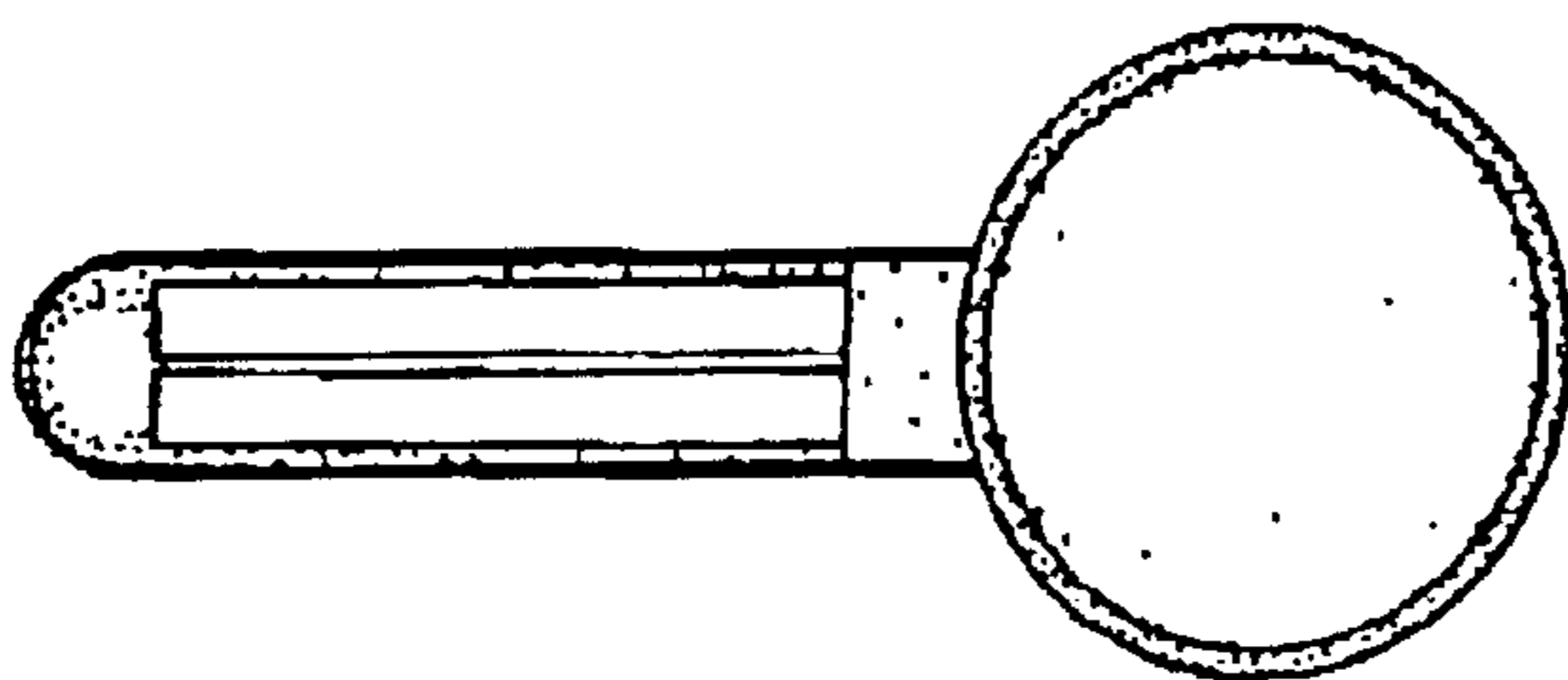


FIG. 4

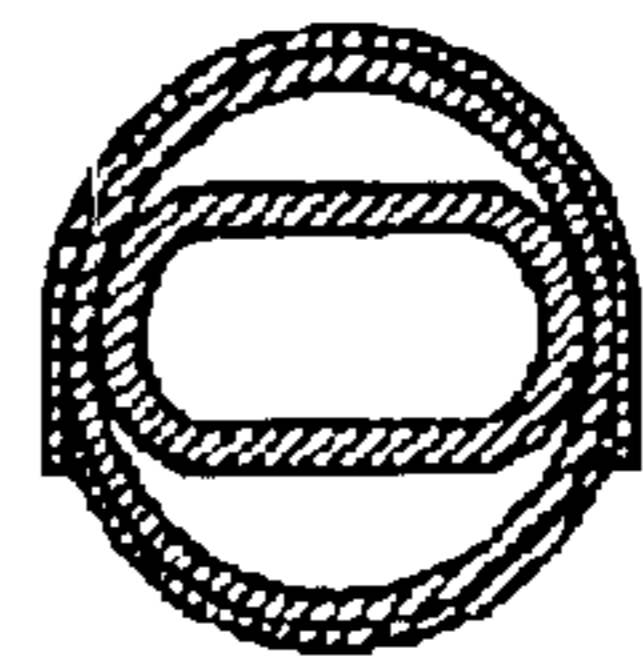


FIG. 8

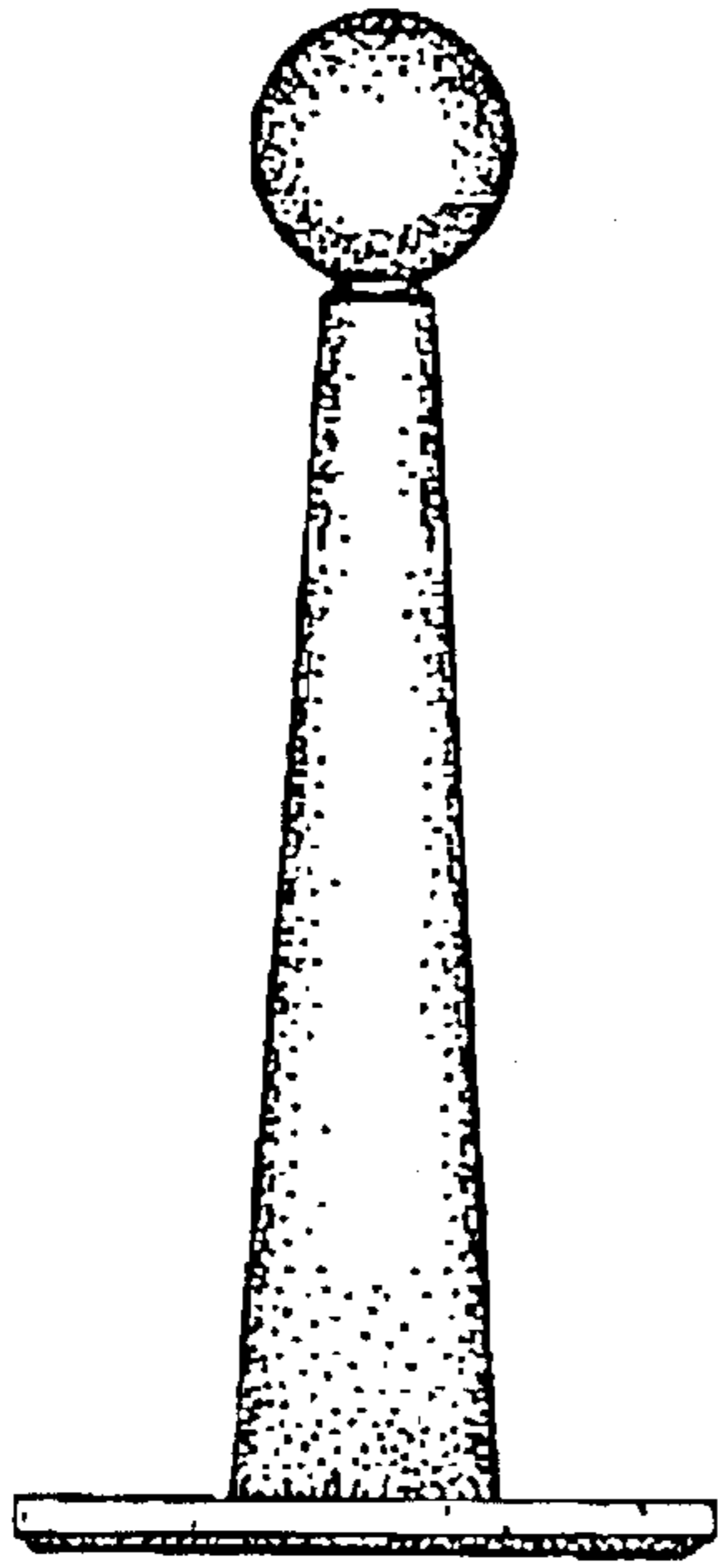


FIG. 5

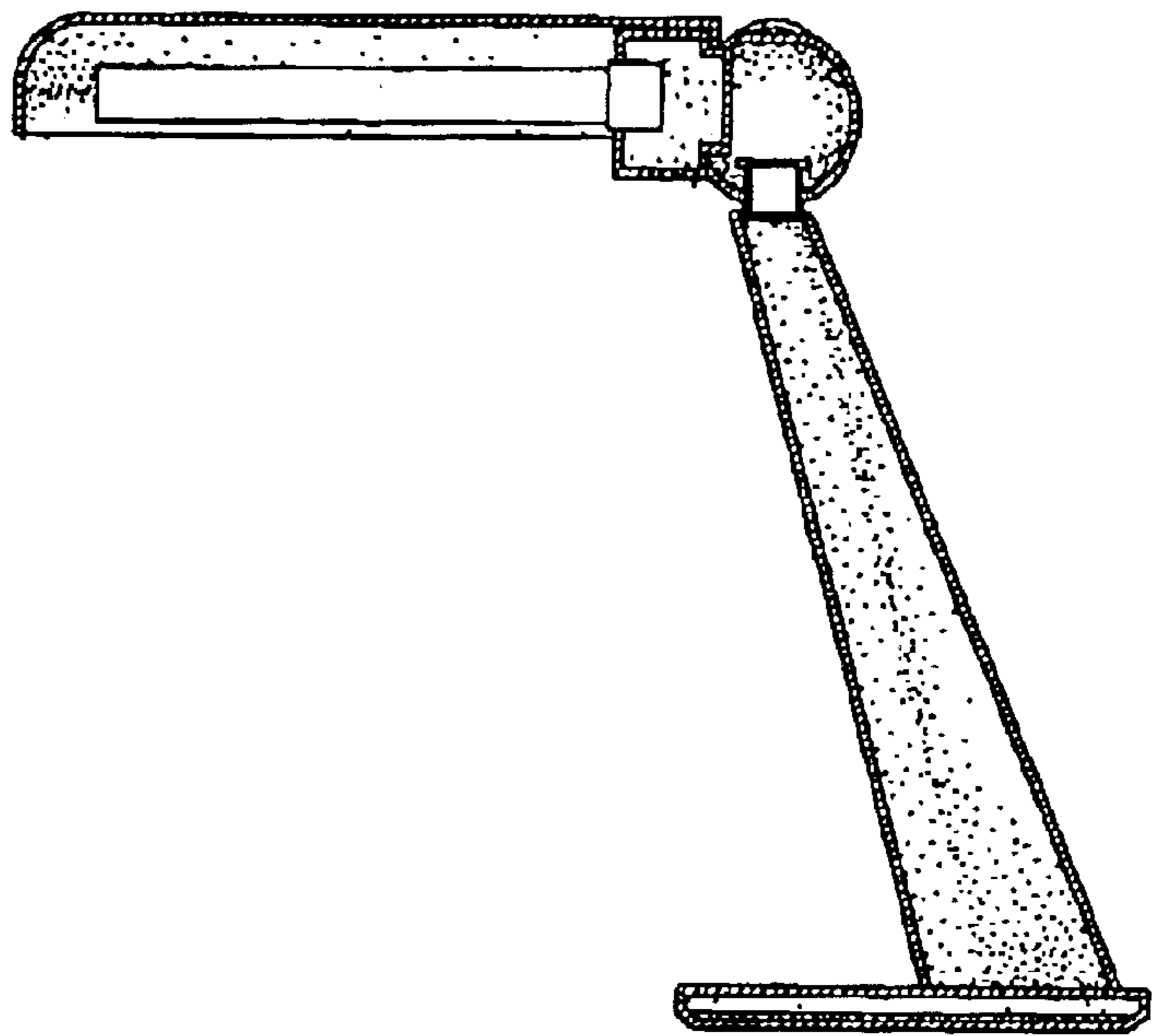


FIG. 6

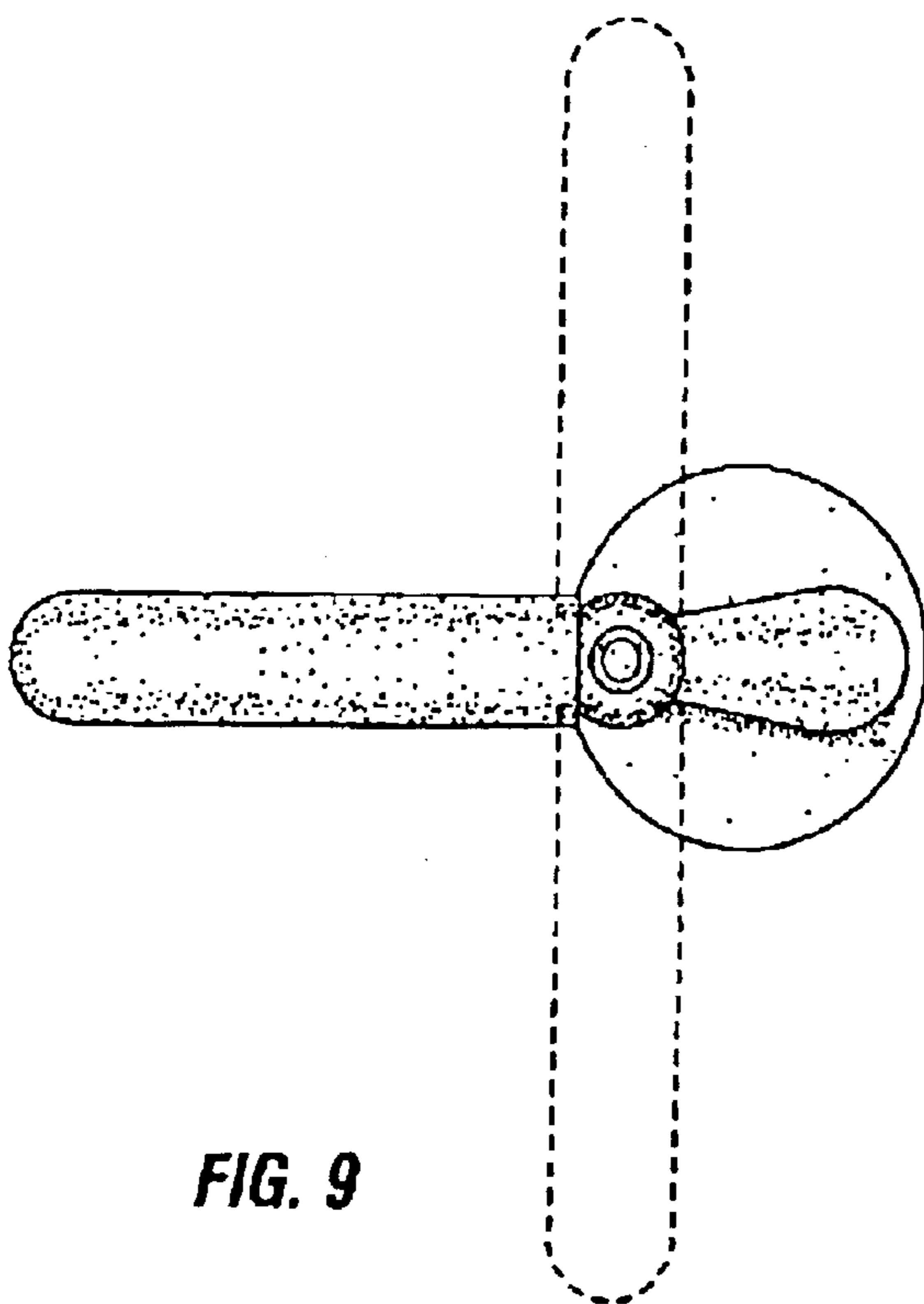


FIG. 9

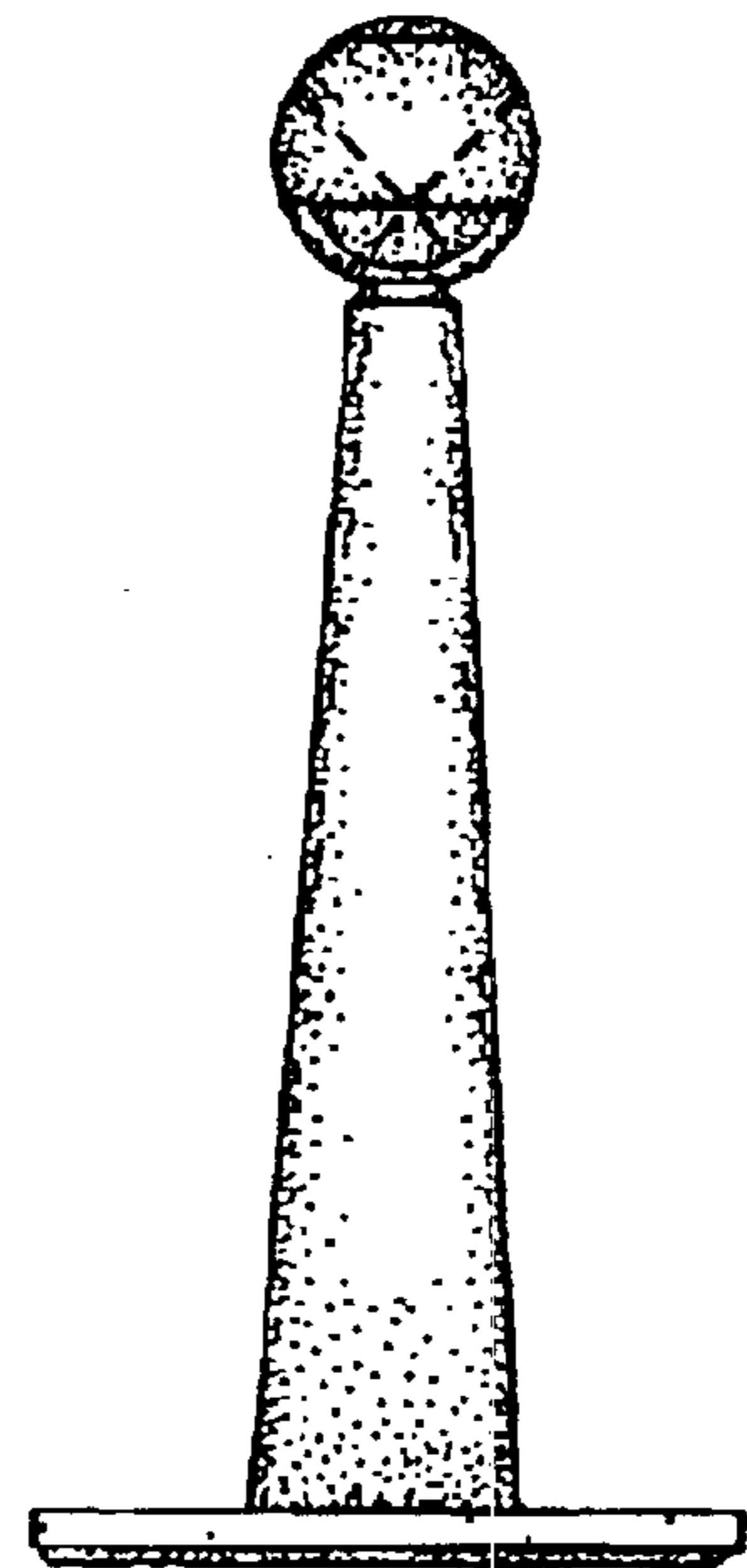


FIG. 10