



US00D490925S

(12) **United States Design Patent**
Wilmotte

(10) **Patent No.:** **US D490,925 S**

(45) **Date of Patent:** **** Jun. 1, 2004**

(54) **LIGHT WITH SWIVELLING REFLECTOR AND LAMP**

D293,940 S * 1/1988 Lasker D26/65
D299,549 S * 1/1989 Macaluso D26/29
D419,097 S * 1/2000 Pickard et al. D10/114

(75) Inventor: **Jean-Michel Wilmotte**, Paris (FR)

* cited by examiner

(73) Assignee: **Zumtobel Staff GmbH & Co. KG**,
Lemgo (DE)

Primary Examiner—Clare E. Heflin

(**) Term: **14 Years**

(74) *Attorney, Agent, or Firm*—Fitzpatrick, Cella, Harper & Scinto

(21) Appl. No.: **29/156,960**

(22) Filed: **Mar. 12, 2002**

(57) **CLAIM**

The ornamental design for a light with swivelling reflector and lamp, as shown.

(30) **Foreign Application Priority Data**

Sep. 14, 2001 (DE) 401 08 367

DESCRIPTION

(51) **LOC (7) Cl.** **26-05**

(52) **U.S. Cl.** **D26/63**

(58) **Field of Search** D26/72-92, 113,
D26/24, 61-71; 362/147, 404-408, 431,
432

FIG. 1 is a perspective view of a front, one end and one side of a light with swivelling reflector and lamp which constitutes a first embodiment of the new design;

FIG. 2 is a perspective view of a back, an opposite end and an opposite side of the embodiment of FIG. 1;

FIG. 3 is a perspective view of a front, one end and one side of a light with swivelling reflector and lamp which constitutes a second embodiment of the new design; and,

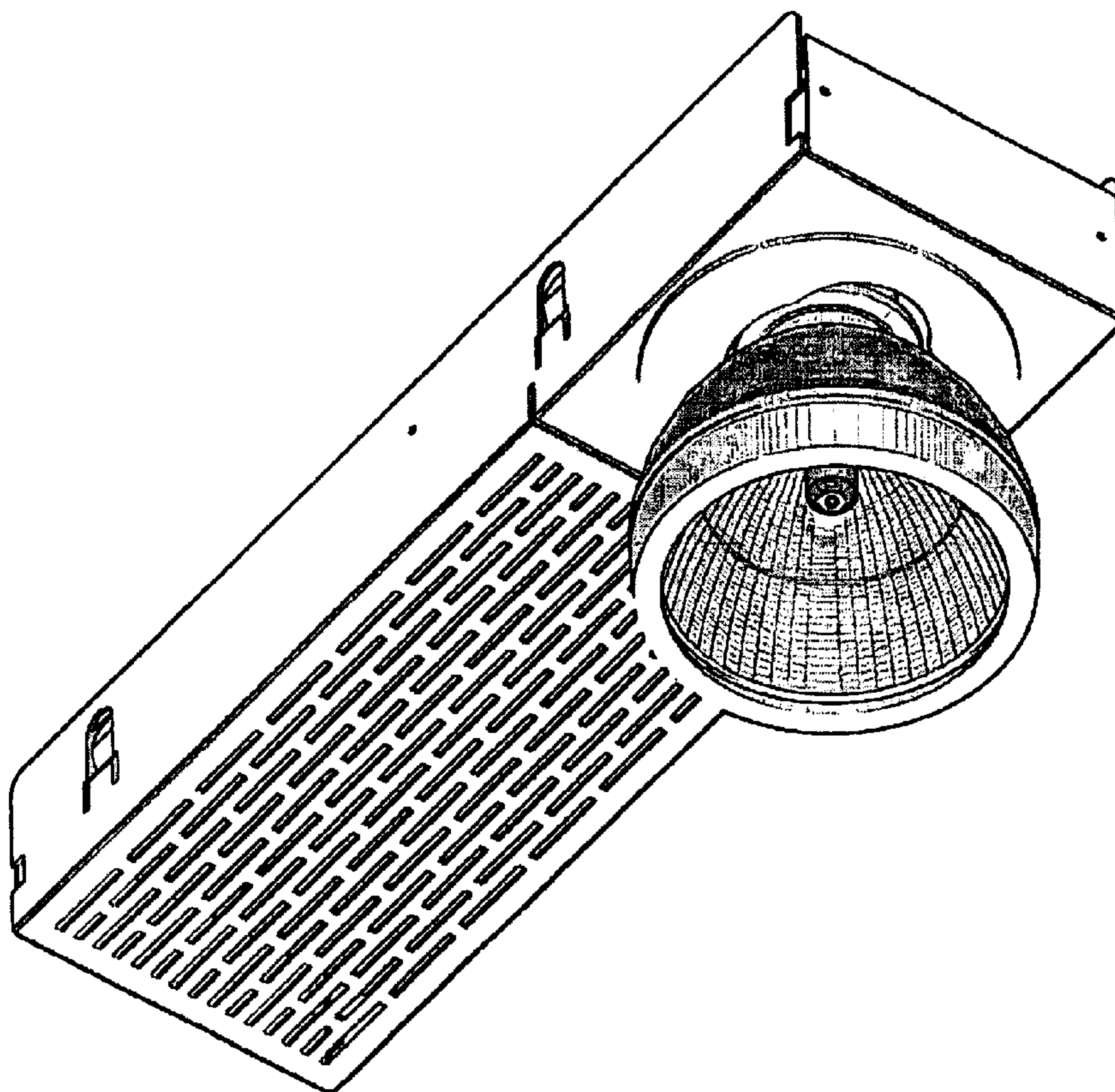
FIG. 4 is a perspective view of a back, an opposite end and an opposite side of the embodiment of FIG. 3.

(56) **References Cited**

U.S. PATENT DOCUMENTS

D107,878 S * 1/1938 Levy D26/74
D282,646 S * 2/1986 Blamberg D10/114

1 Claim, 4 Drawing Sheets



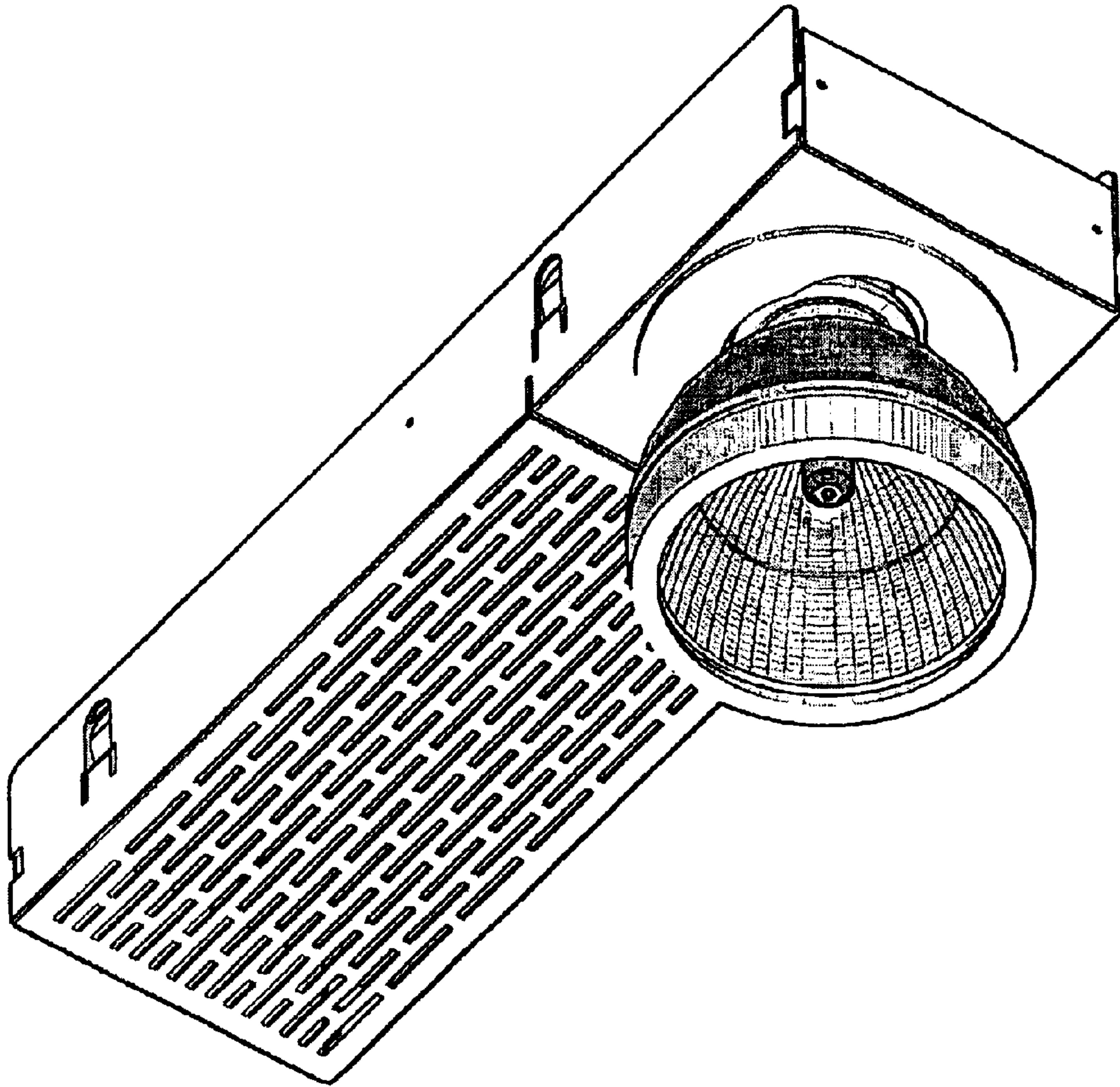


Fig. 1

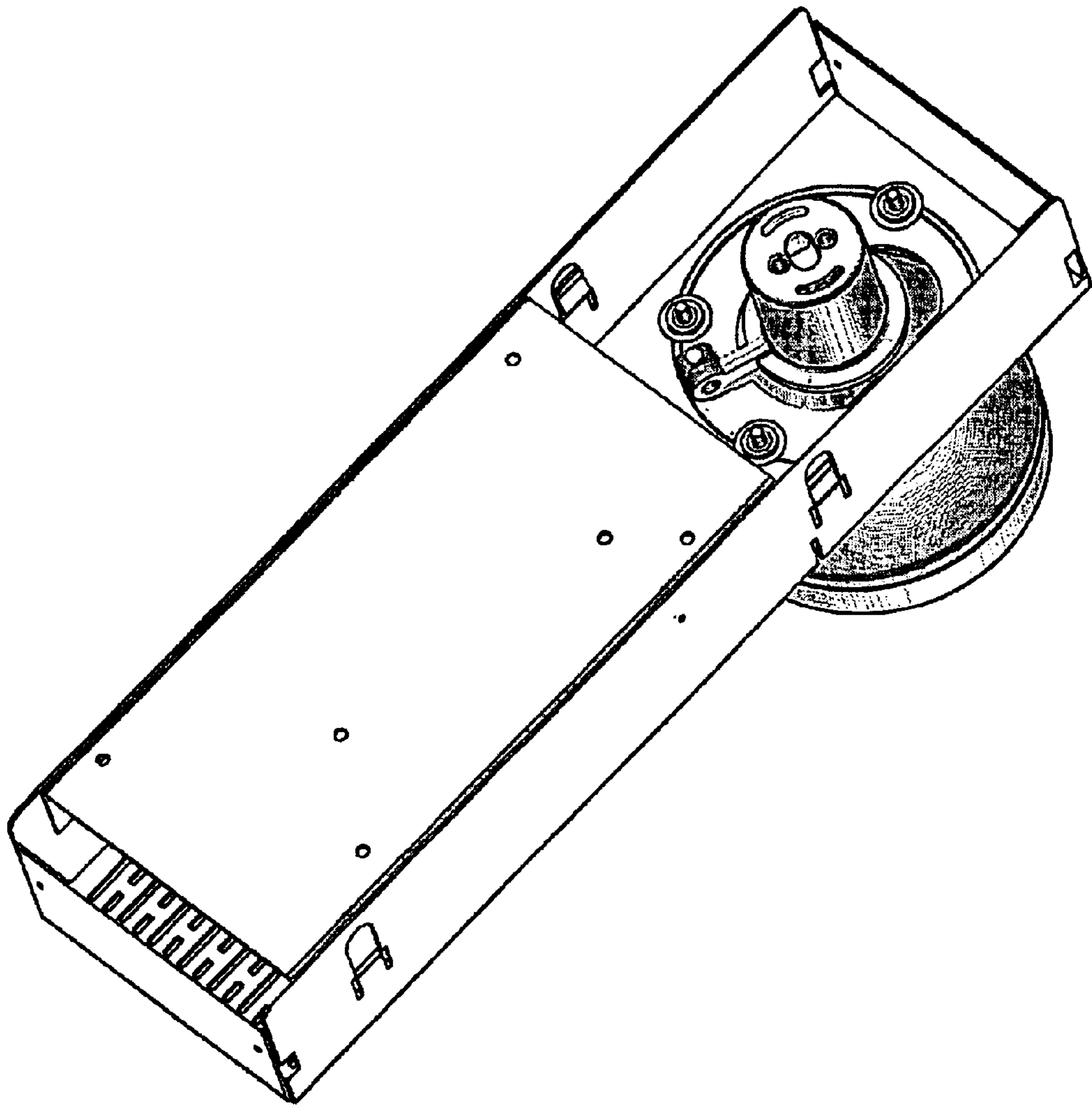


Fig. 2

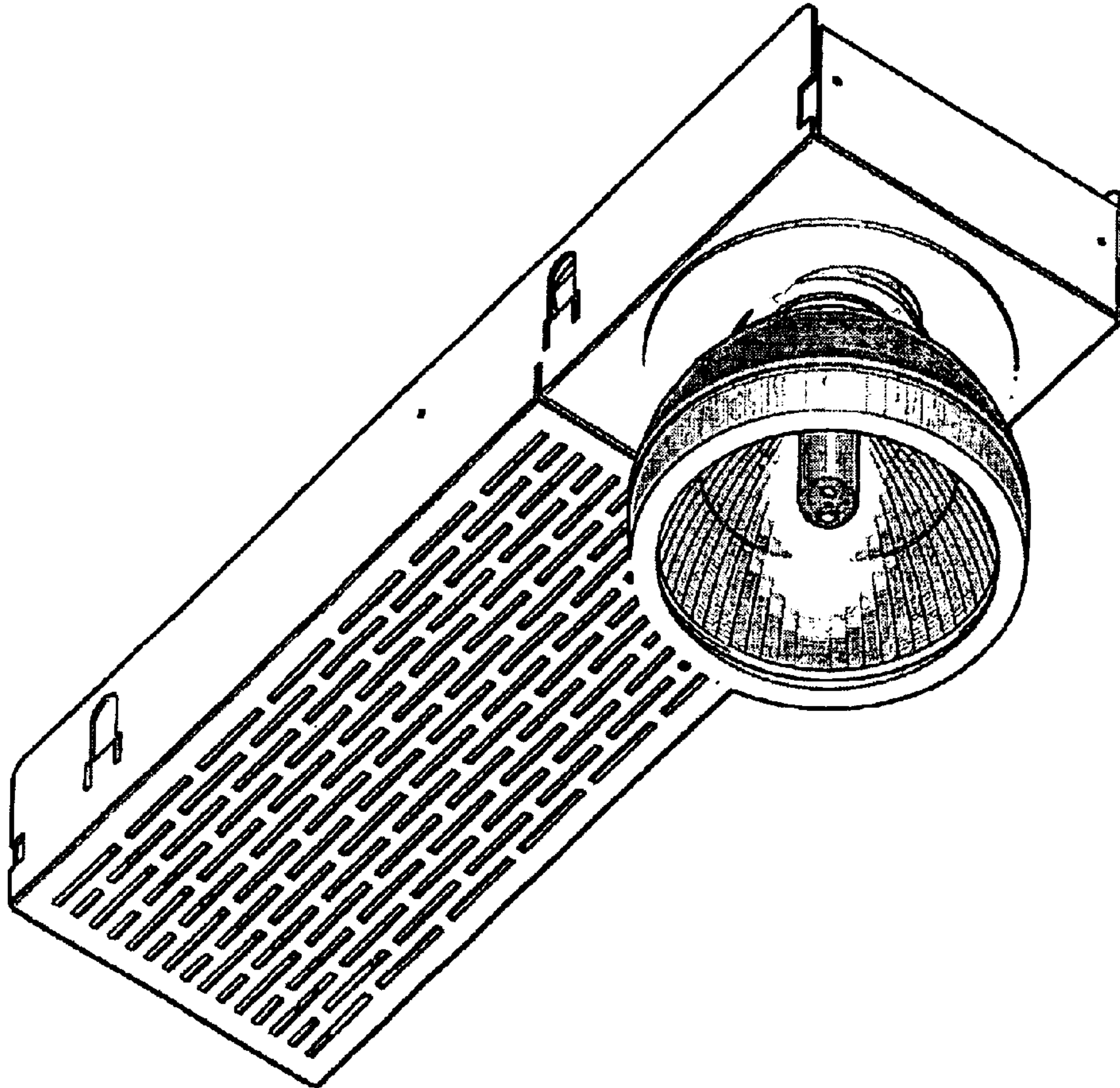


Fig. 3

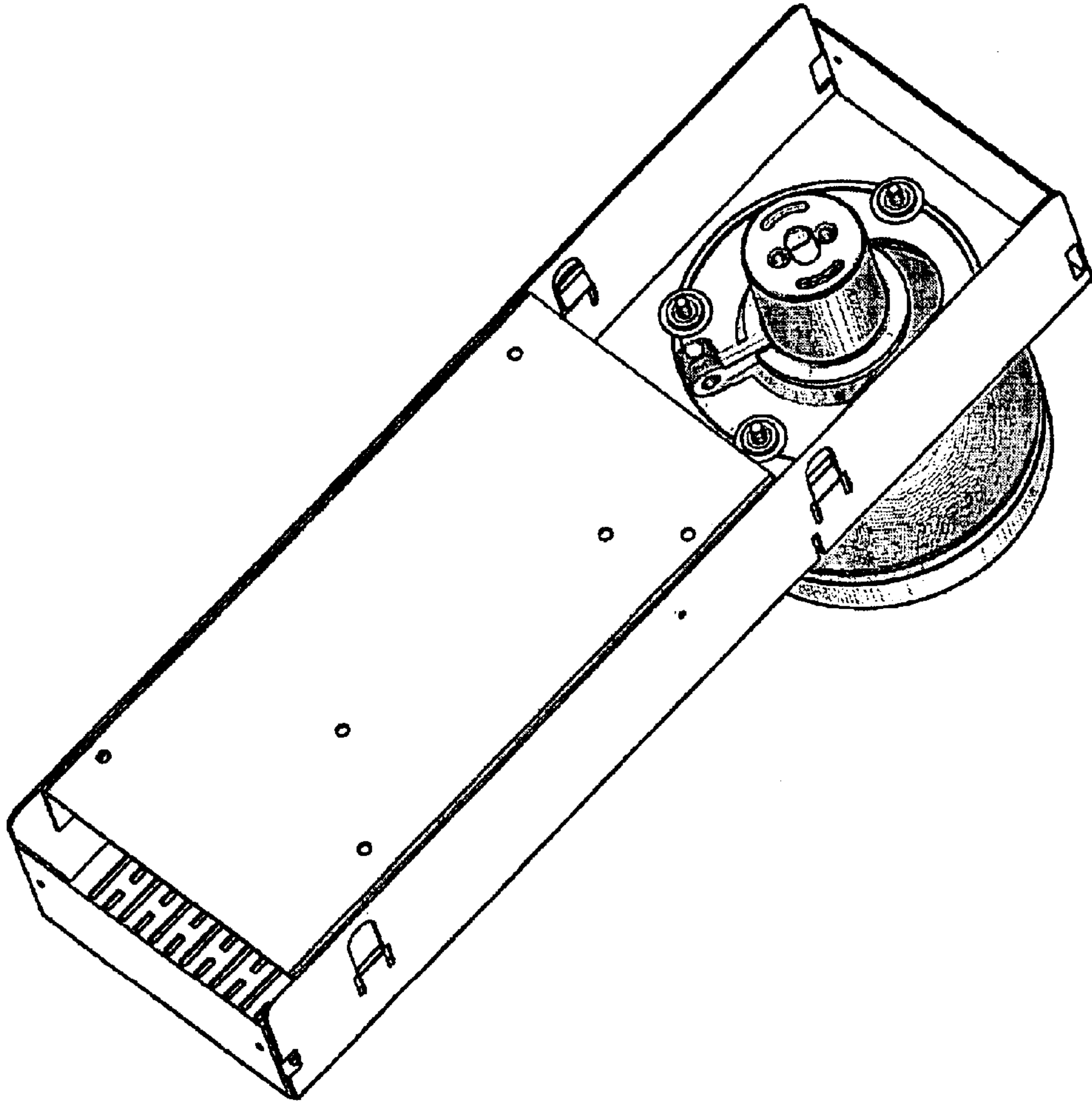


Fig. 4